



US00D565270S

(12) **United States Design Patent**
Ruppert et al.

(10) **Patent No.:** **US D565,270 S**
(45) **Date of Patent:** **** Mar. 25, 2008**

- (54) **WALKIE STACKER LIFT TRUCK**
- (75) Inventors: **Adam M. Ruppert**, Wapakoneta, OH (US); **Benjamin J. Purrenhage**, Troy, OH (US); **Roger J. Quinlan, Jr.**, Troy, OH (US); **Robert J. Henshaw**, Newnan, GA (US); **Steven R. Pulskamp**, New Bremen, OH (US); **Michael P. Gallagher**, Greenville, OH (US)
- (73) Assignee: **Crown Equipment Corporation**, New Bremen, OH (US)

- (**) Term: **14 Years**
- (21) Appl. No.: **29/249,294**
- (22) Filed: **Sep. 29, 2006**

- (51) **LOC (8) Cl.** **12-05**
 - (52) **U.S. Cl.** **D34/34**
 - (58) **Field of Classification Search** **D34/34;**
180/89.12, 299, 325; 280/43.12; 187/222,
187/224
- See application file for complete search history.

(56) **References Cited**
U.S. PATENT DOCUMENTS

3,181,640	A *	5/1965	Goodacre et al.	180/19.2
3,190,994	A *	6/1965	Becker et al.	200/61.85
3,243,194	A *	3/1966	Trusock	280/43.12
3,261,617	A *	7/1966	Becker et al.	280/43.12
D239,165	S *	3/1976	Mono	D34/34
D370,761	S *	6/1996	Stark	D34/34
5,590,735	A *	1/1997	Cartier	180/210
D386,876	S *	11/1997	Niebuhr	D34/34
5,964,313	A *	10/1999	Guy	180/332
6,125,971	A *	10/2000	Niebuhr et al.	187/231
6,199,665	B1	3/2001	Eilerman et al.	
D445,553	S	7/2001	Pulskamp et al.	
D447,612	S *	9/2001	Niebuhr	D34/34
D499,521	S *	12/2004	Swetish et al.	D34/35
D539,503	S *	3/2007	Quinlan et al.	D34/35

OTHER PUBLICATIONS

Crown specification brochure No. SF14105 Rev. 5/04 entitled Crown W Series, entitled Heavy-Duty Walkie Stacker, New Bremen, Ohio.
Crown specification brochure No. SF14107 Rev. 6/03 entitled Crown Series WB, Counterbalanced Walkies, New Bremen, Ohio.
Crown specification brochure No. 14106 Rev. 6/03 entitled Crown Series WR, Heavy Duty Walkie Reach Stackers, New Bremen, Ohio.
Crown specification brochure No. SF12895 Rev. 6/06 entitled Crown RR 5200 Series, Narrow-Aisle Reach Truck.
* cited by examiner

Primary Examiner—Cynthia E. Ramirez
(74) *Attorney, Agent, or Firm*—Stevens & Showalter LLP

(57) **CLAIM**

The ornamental design for a walkie stacker lift truck, as shown.

DESCRIPTION

FIG. 1 is a perspective view of a first embodiment of a walkie stacker lift truck as seen from the top, rear and right sides;
FIG. 2 is a top plan view thereof;
FIG. 3 is a right side elevational view thereof, the left side elevational view being a mirror image;
FIG. 4 is a rear elevational view thereof;
FIG. 5 is a front elevational view thereof;
FIG. 6 is a perspective view of a second embodiment of a walkie stacker lift truck as seen from the top, rear and right sides;
FIG. 7 is a top plan view thereof;
FIG. 8 is a right side elevational view thereof, the left side elevational view being a mirror image;
FIG. 9 is a rear elevational view thereof; and,
FIG. 10 is a front elevational view thereof.
The broken lines showing in the figures are for illustrative purposes only and form no part of the claimed design.

1 Claim, 10 Drawing Sheets

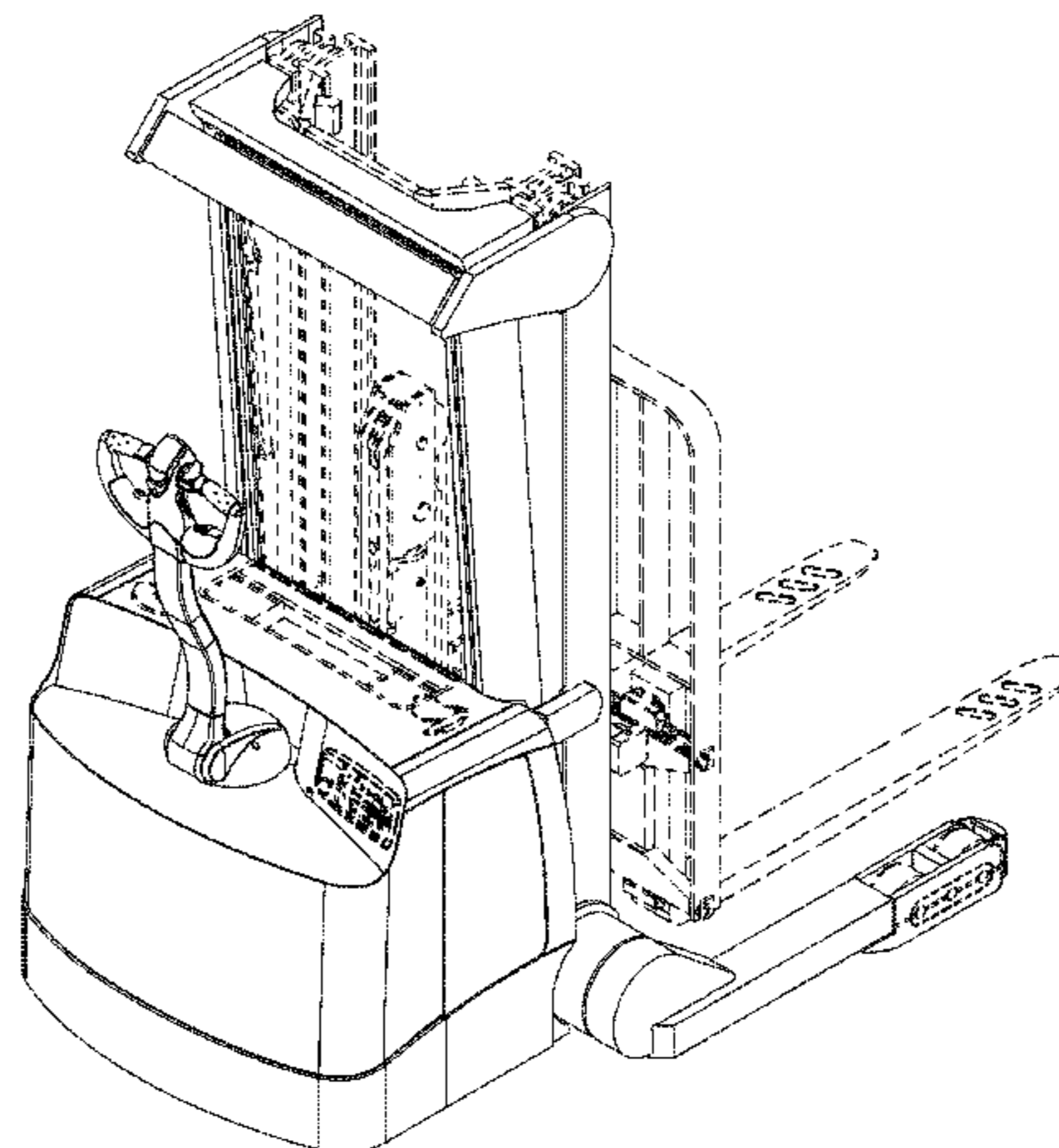


FIG. 1

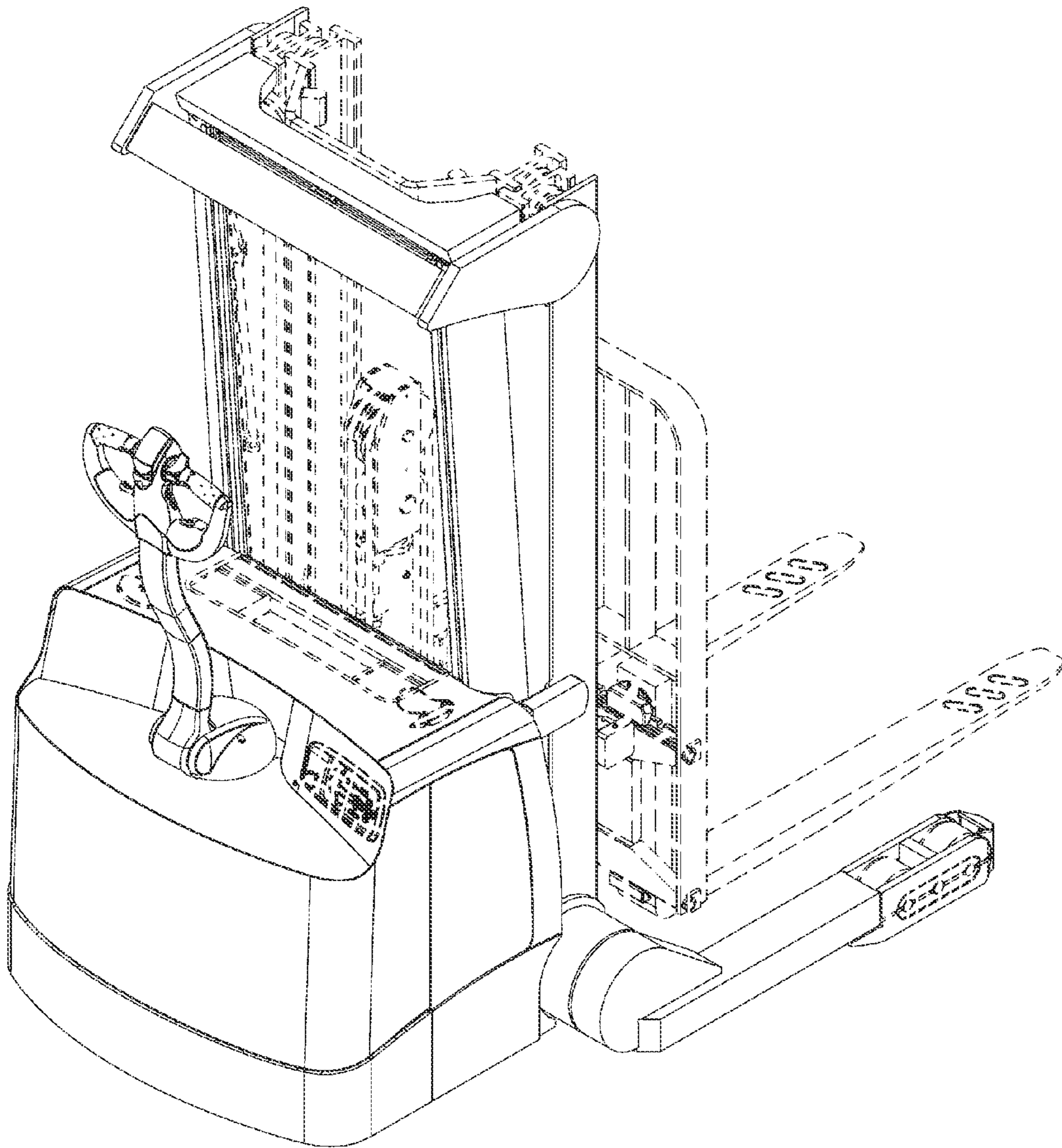


FIG. 2

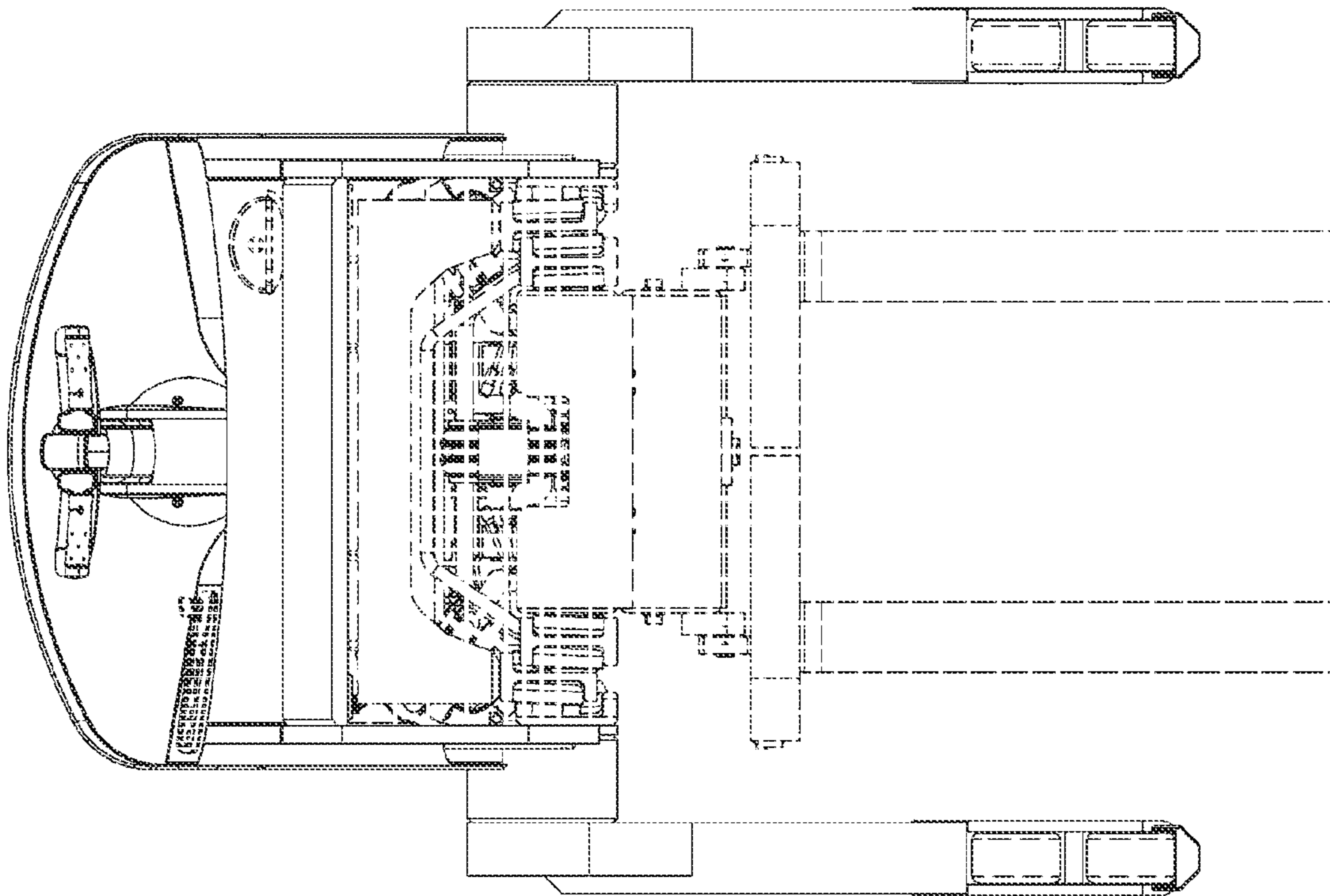


FIG. 3

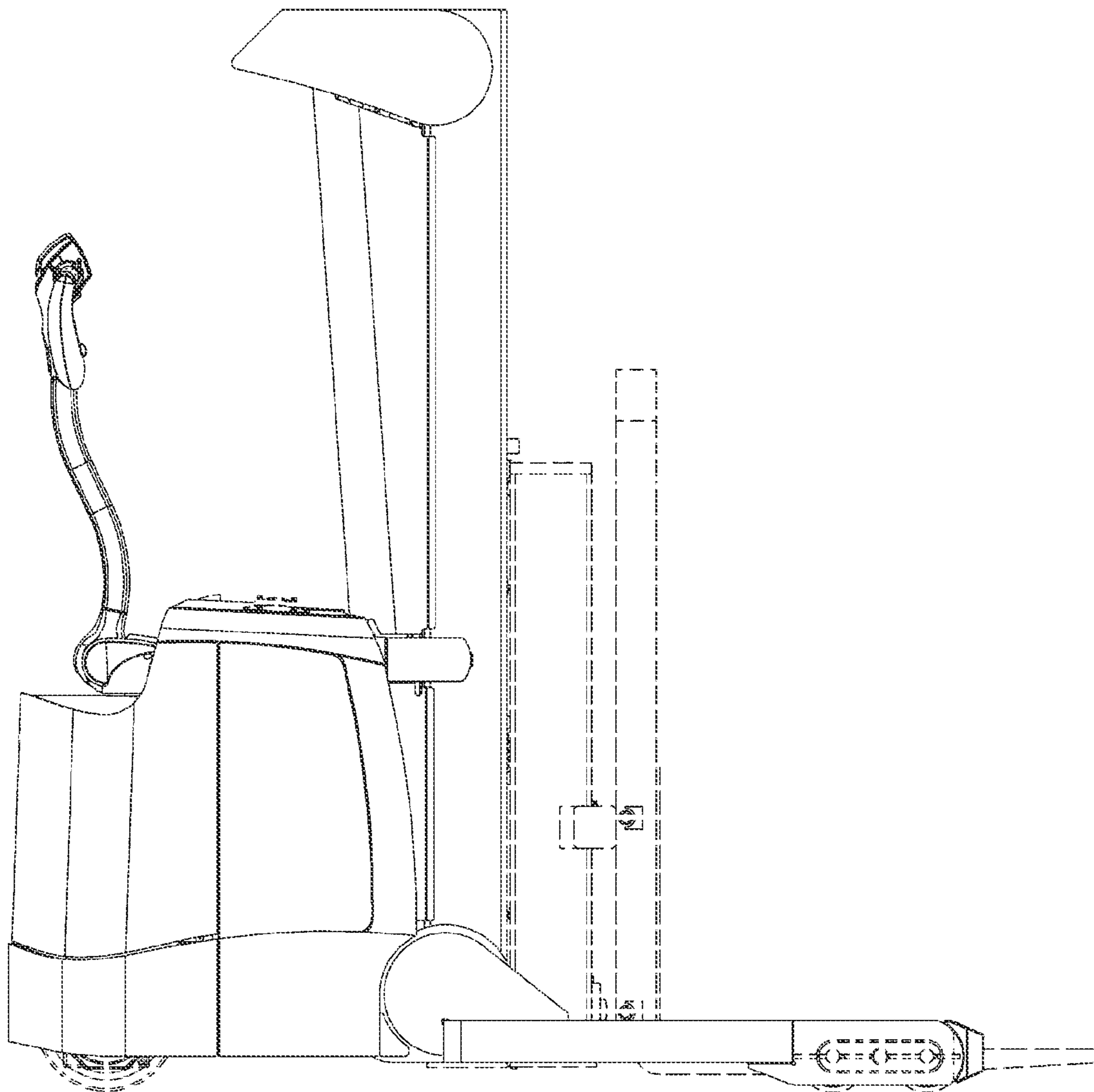


FIG. 4

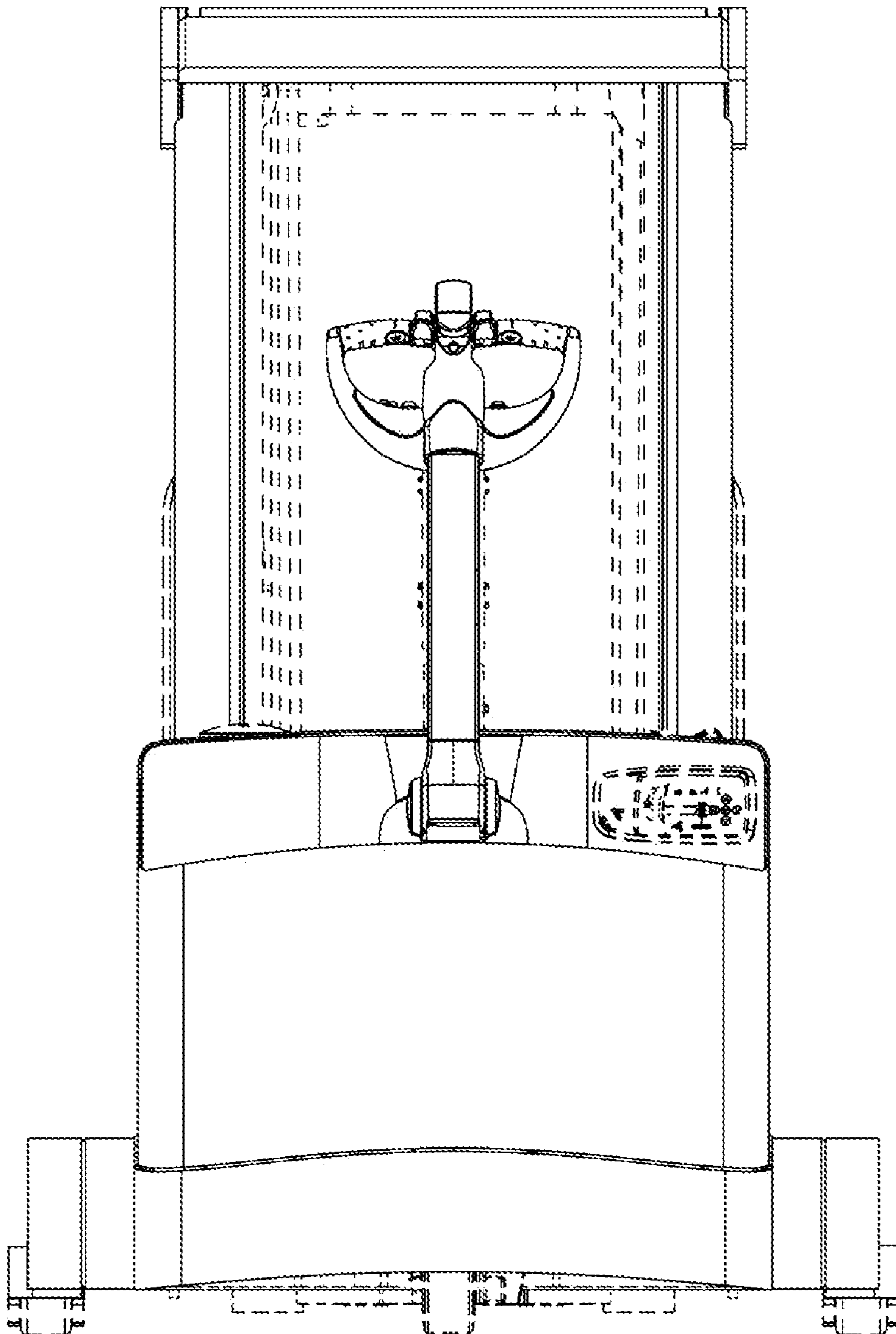


FIG. 5

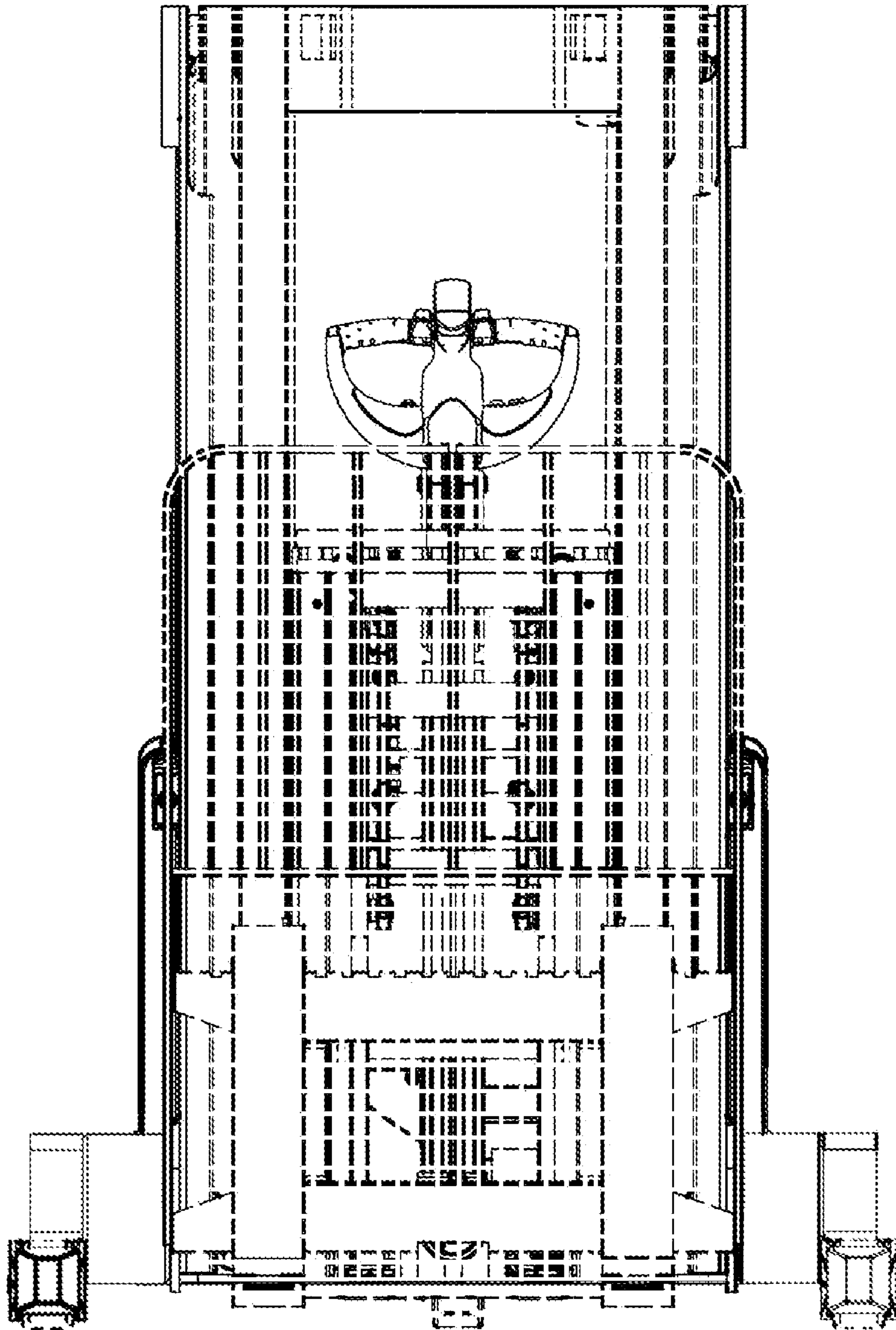


FIG. 6

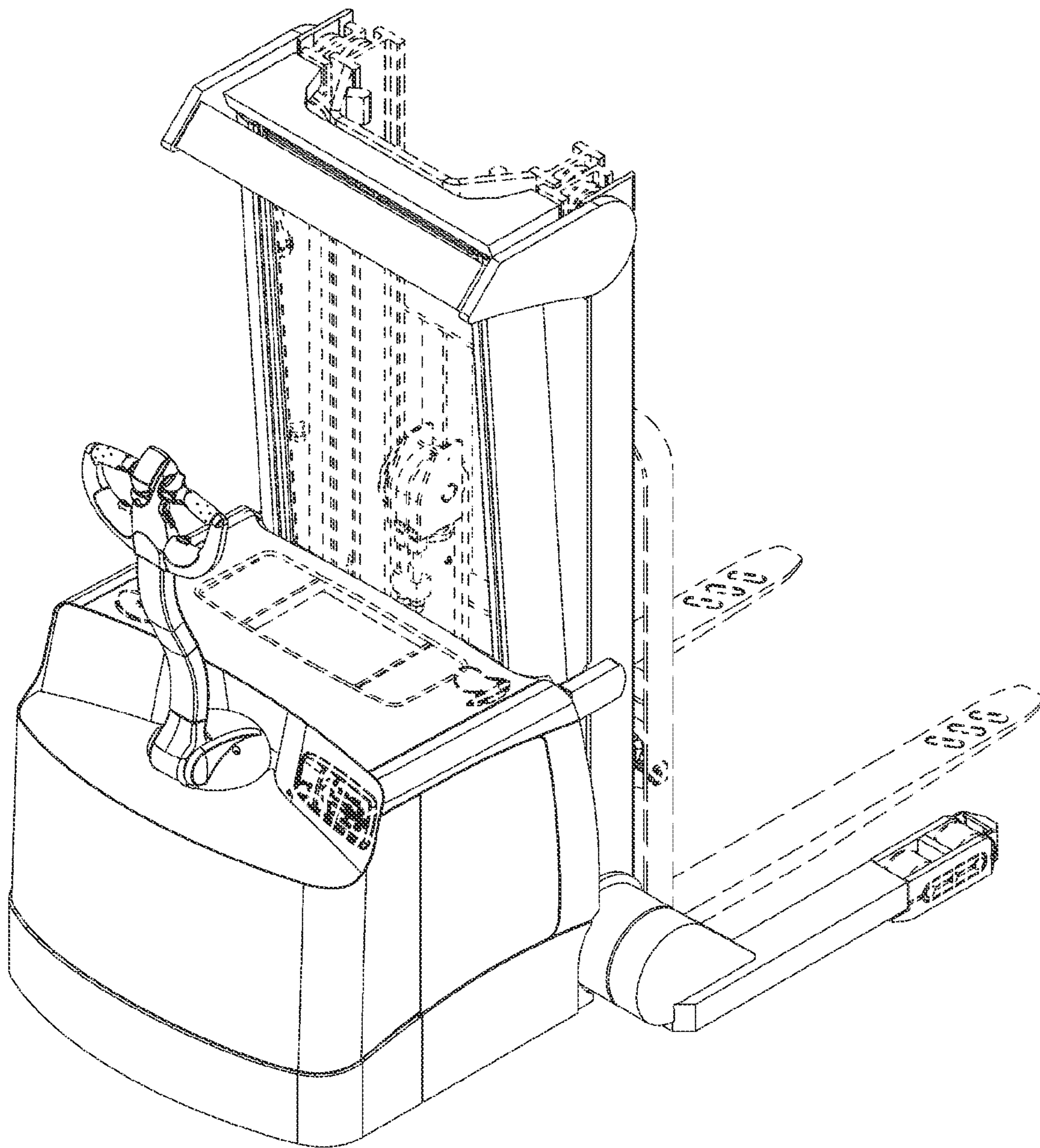


FIG. 7

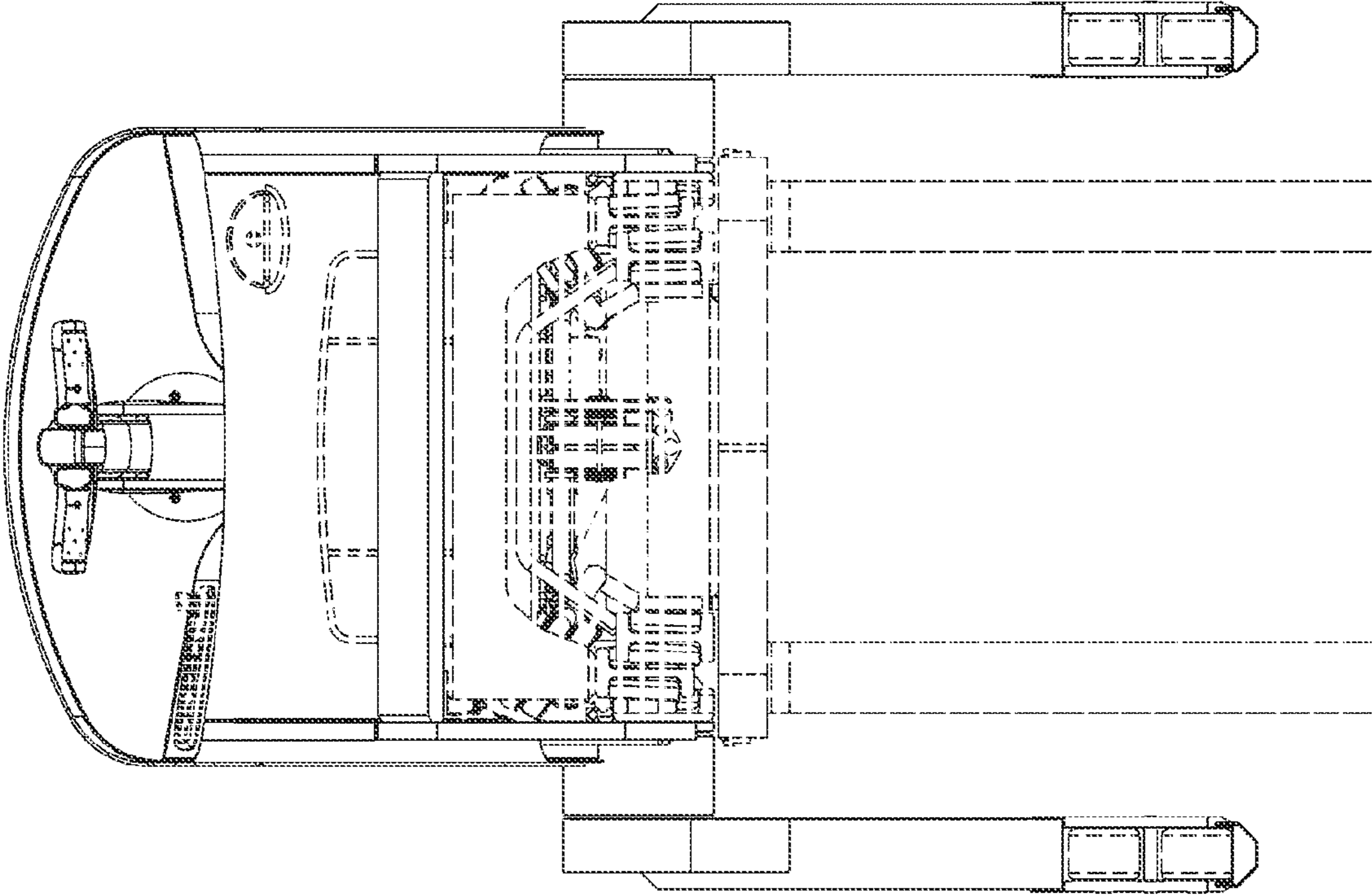


FIG. 8

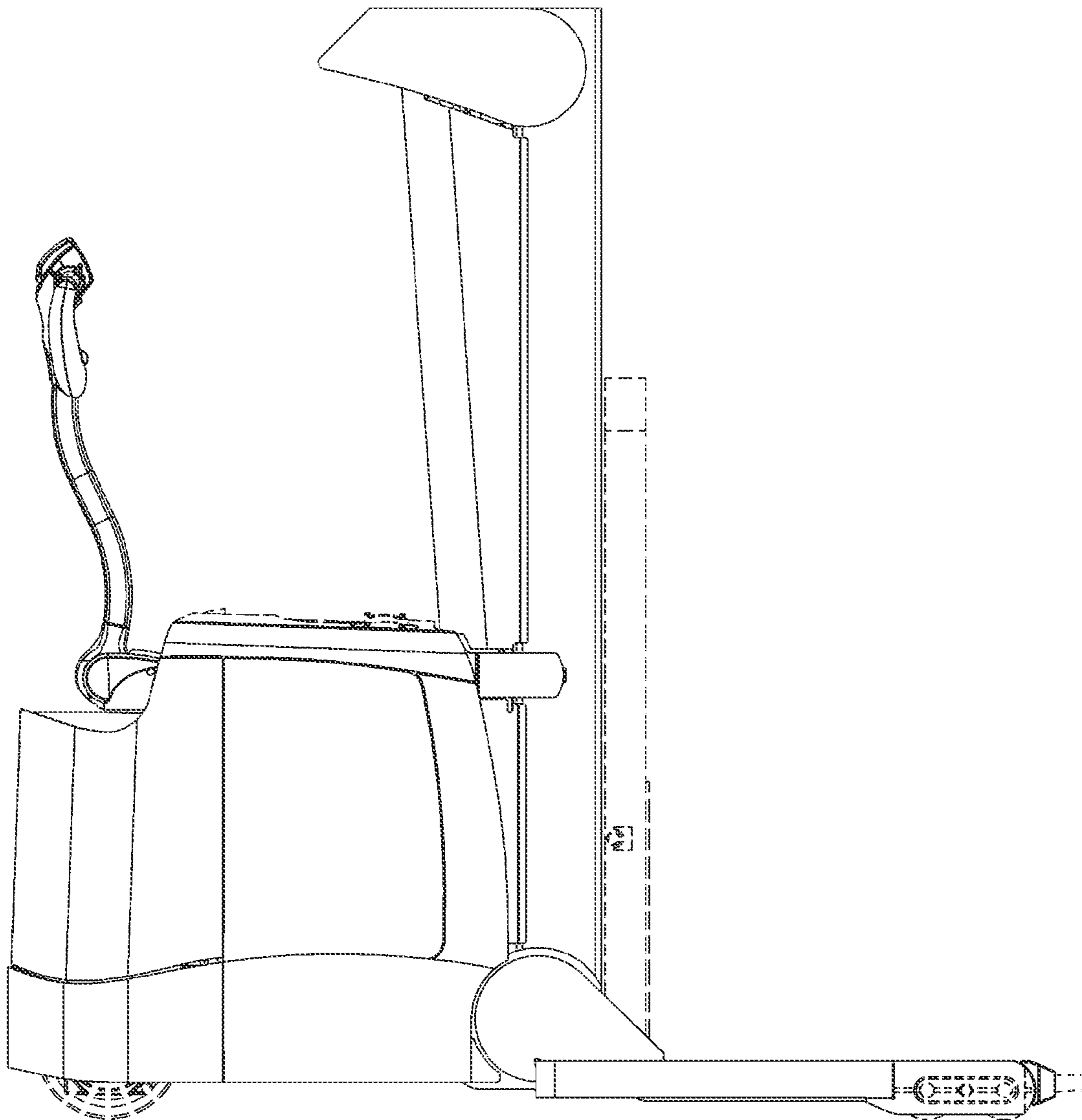


FIG. 9

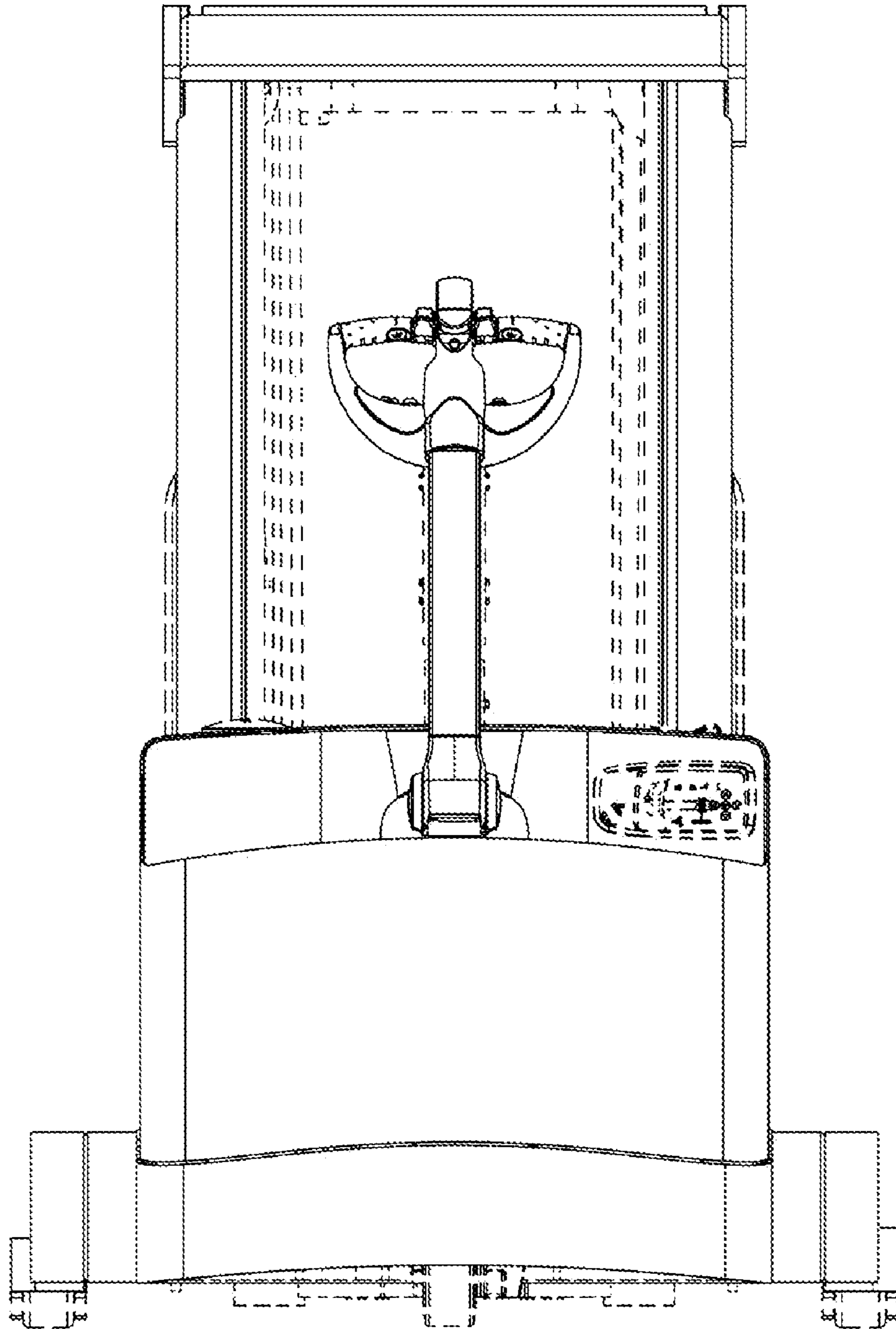


FIG. 10

