



US00D565265S

(12) **United States Design Patent**  
**Quance et al.**

(10) **Patent No.:** **US D565,265 S**  
(45) **Date of Patent:** **\*\* Mar. 25, 2008**

(54) **HEAD FOR A CLEANING APPLIANCE**

(75) Inventors: **Miles Sinclair Quance**, Wiltshire (GB);  
**Andrew Charles Nixon**, Wiltshire (GB)

(73) Assignee: **Dyson Limited**, Wiltshire (GB)

(\*\*) Term: **14 Years**

(21) Appl. No.: **29/287,014**

(22) Filed: **Jun. 19, 2007**

(30) **Foreign Application Priority Data**

Dec. 22, 2006 (GB) ..... 4000937

(51) **LOC (8) Cl.** ..... **15-05**

(52) **U.S. Cl.** ..... **D32/32**

(58) **Field of Classification Search** ..... 15/321-322,  
15/323-325, 329, 340.3, 89, 340.4, 90, 344,  
15/361, 350-351, 362, 412, 246.2, 250; D32/21-23,  
D32/31-34, 38-39

See application file for complete search history.

(56) **References Cited**

**U.S. PATENT DOCUMENTS**

D299,175 S \* 12/1988 Nimon et al. .... D32/22  
D444,277 S \* 6/2001 Santiago ..... D32/31  
D449,724 S \* 10/2001 Nighy et al. .... D32/32  
D460,231 S \* 7/2002 Bagwell et al. .... D32/32

D487,323 S \* 3/2004 Leyden et al. .... D32/22  
D487,827 S \* 3/2004 Iike et al. .... D32/32  
D507,854 S \* 7/2005 Kim ..... D32/32  
D511,231 S \* 11/2005 Langham et al. .... D32/33  
D515,756 S \* 2/2006 Allard et al. .... D32/32  
D518,932 S \* 4/2006 Maruyama et al. .... D32/32  
D518,933 S \* 4/2006 Courtney ..... D32/32  
D541,499 S \* 4/2007 Proud et al. .... D32/32

\* cited by examiner

*Primary Examiner*—Sandra Snapp

(74) *Attorney, Agent, or Firm*—Morrison & Foerster LLP

(57) **CLAIM**

We claim the ornamental design for a head for a cleaning appliance, as shown and described.

**DESCRIPTION**

FIG. 1 is a perspective view of a head for a cleaning appliance showing our new design.

FIG. 2 is a top view thereof.

FIG. 3 is a bottom view thereof.

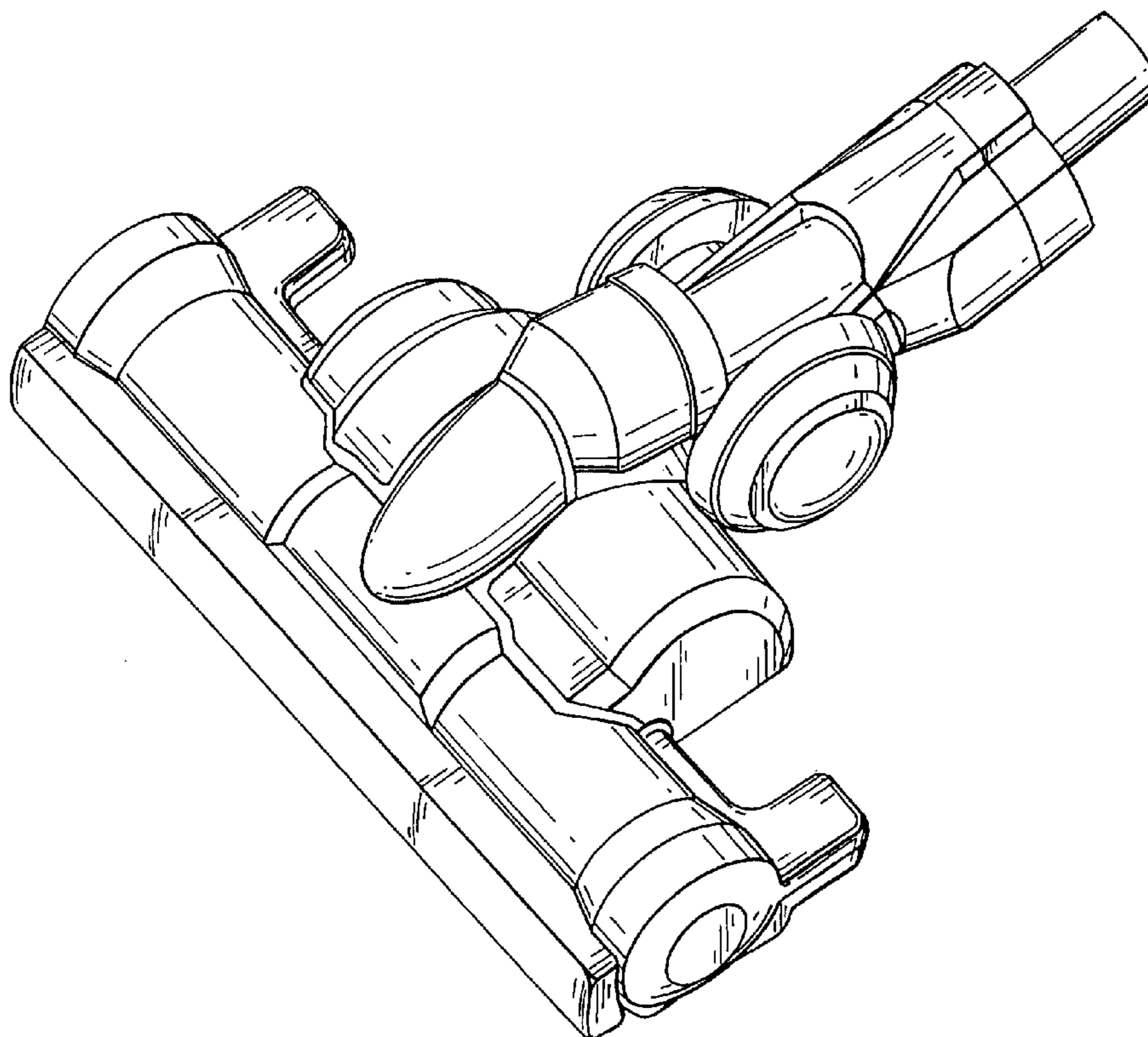
FIG. 4 is a side view thereof.

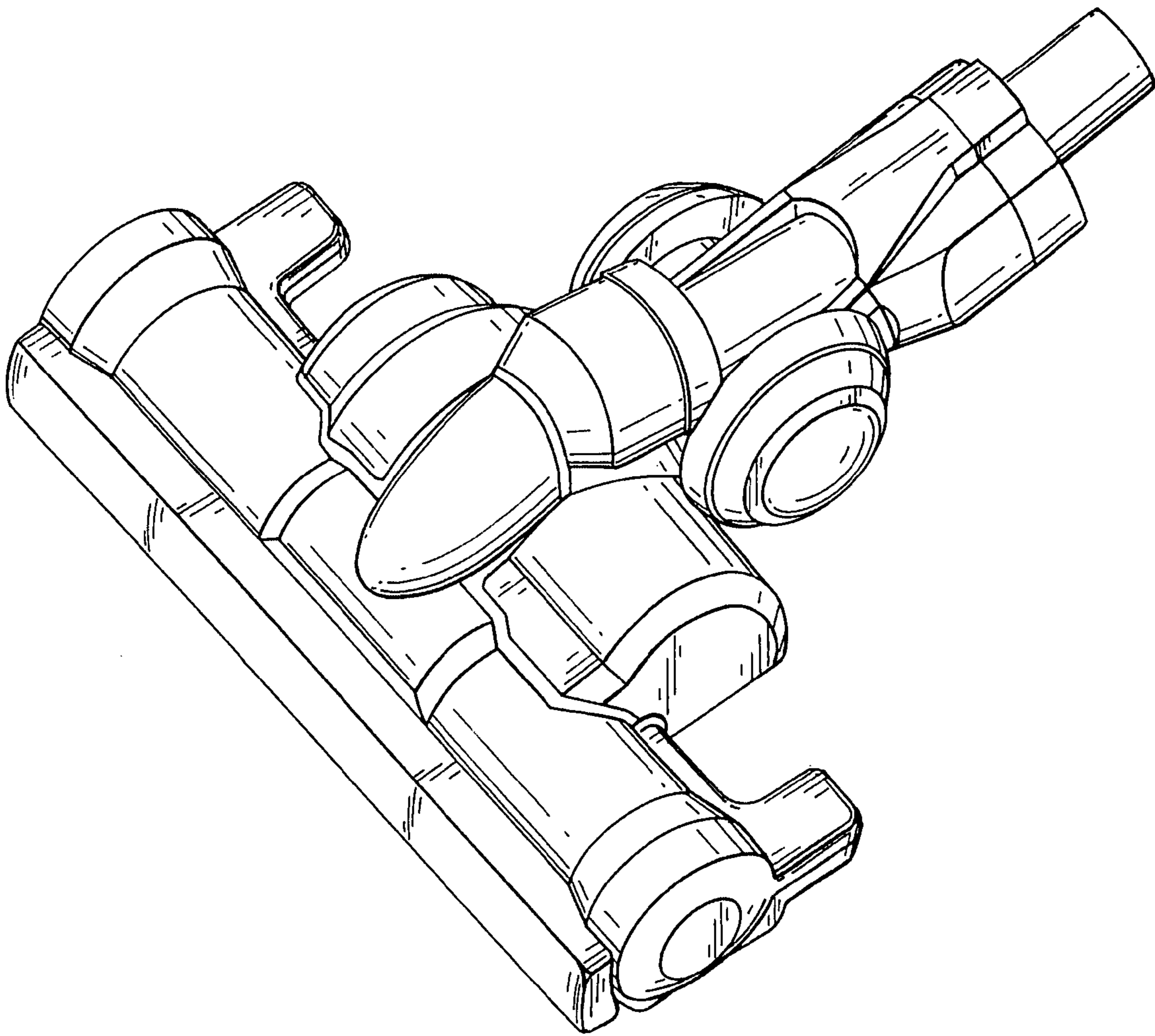
FIG. 5 is a side view of the opposite side of FIG. 4.

FIG. 6 is a front view thereof; and,

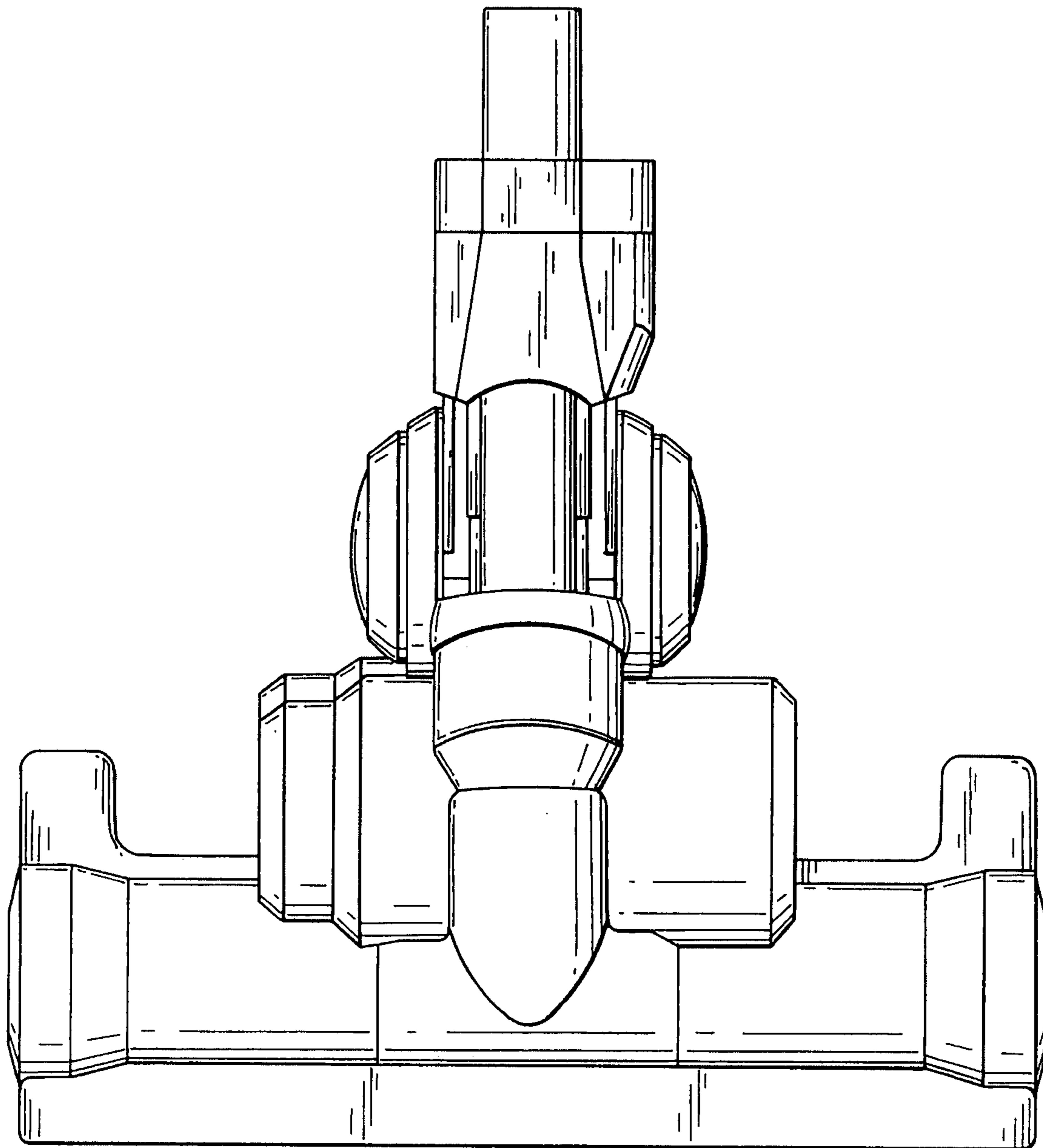
FIG. 7 is a rear view thereof.

**1 Claim, 5 Drawing Sheets**

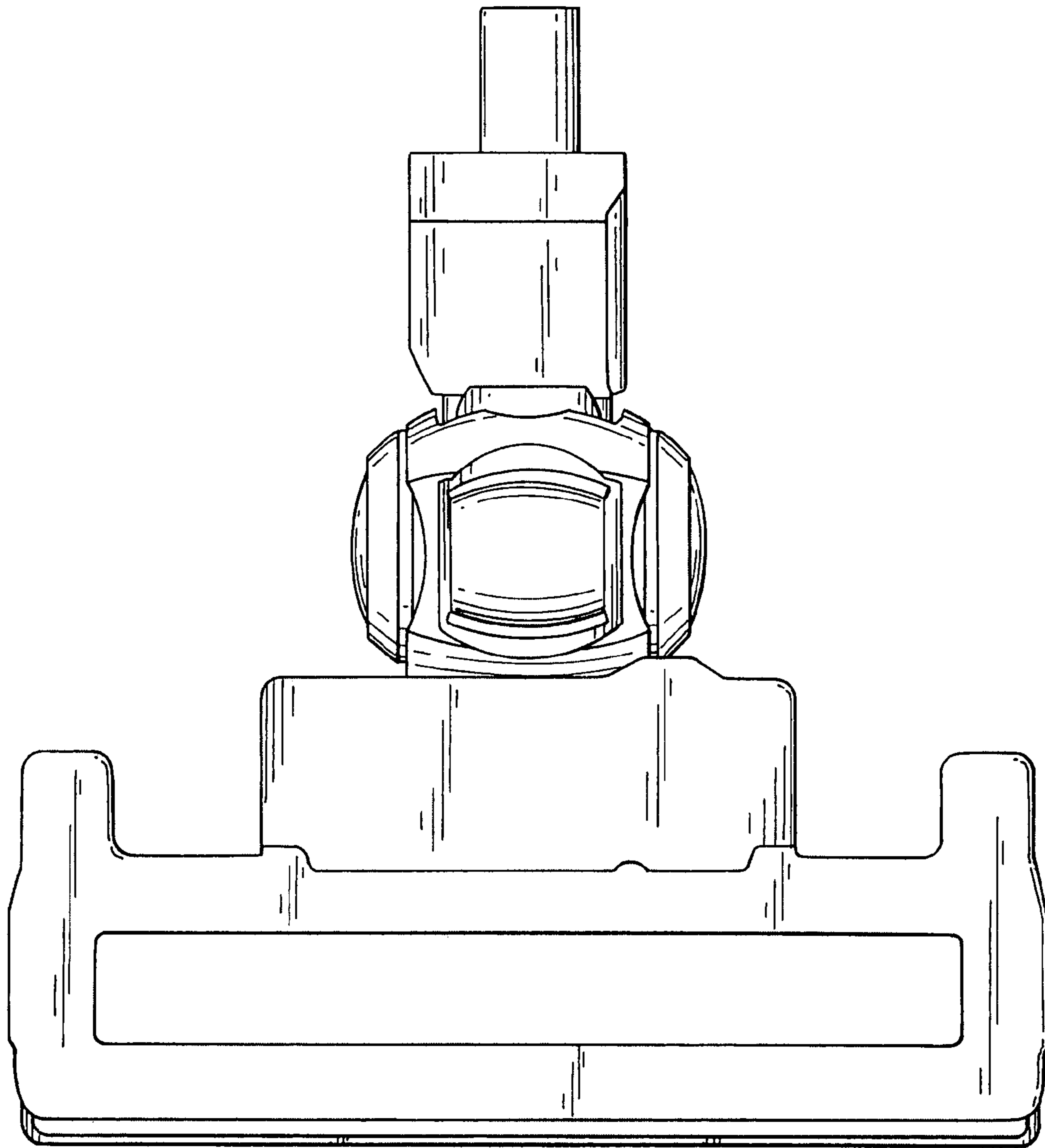




*Fig. 1*

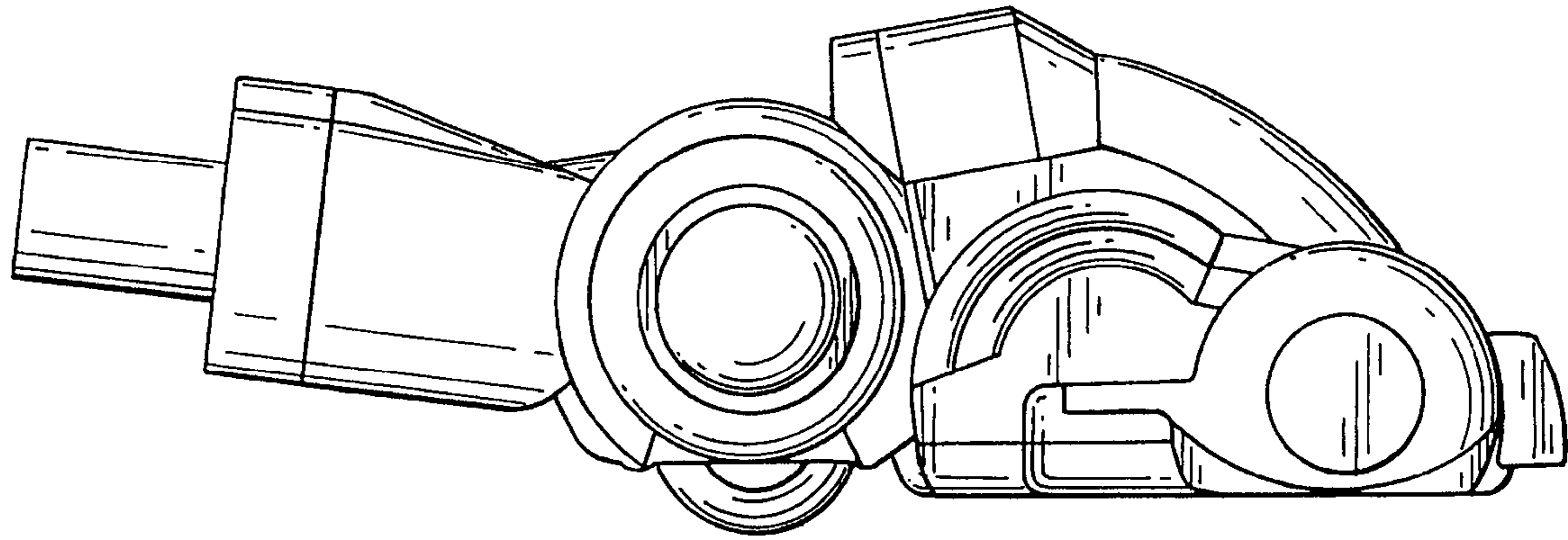


*Fig. 2*

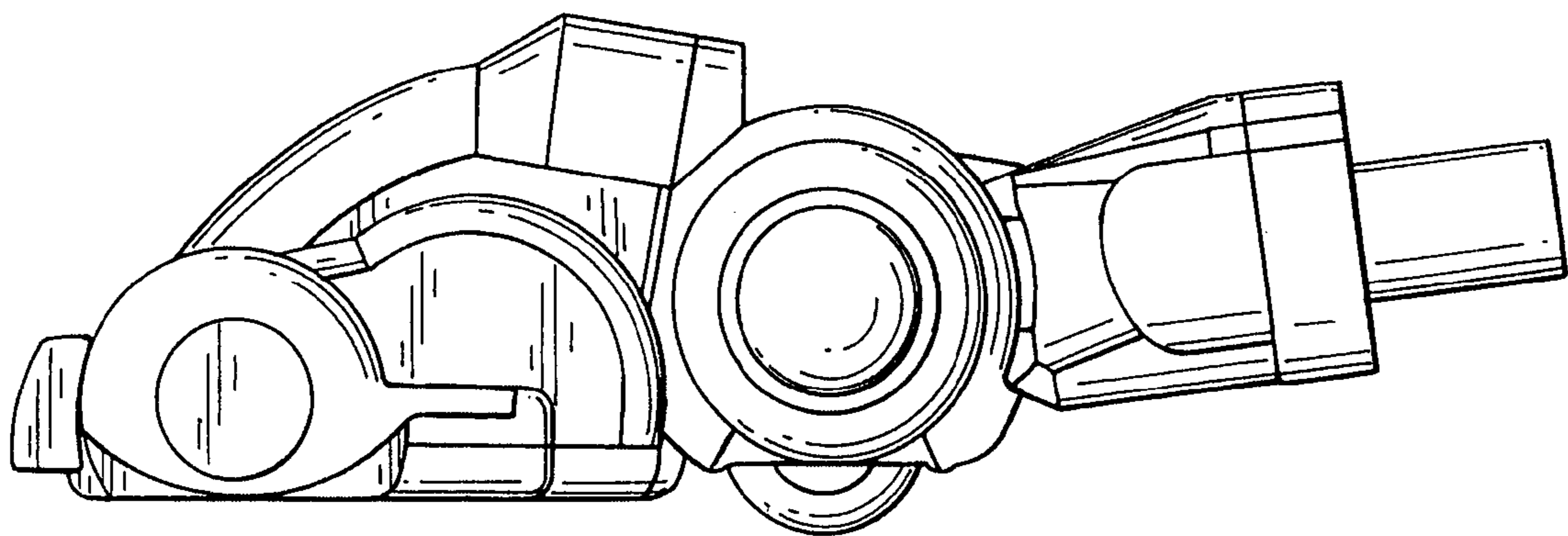


*Fig. 3*

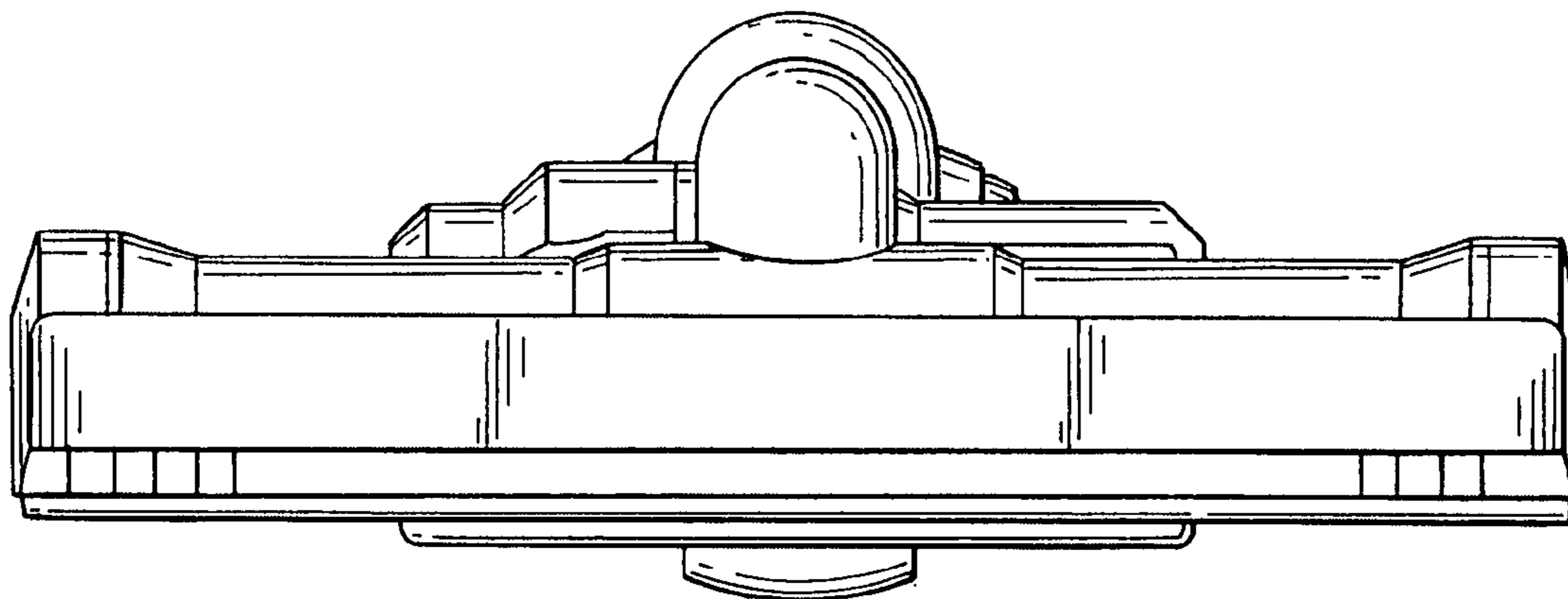




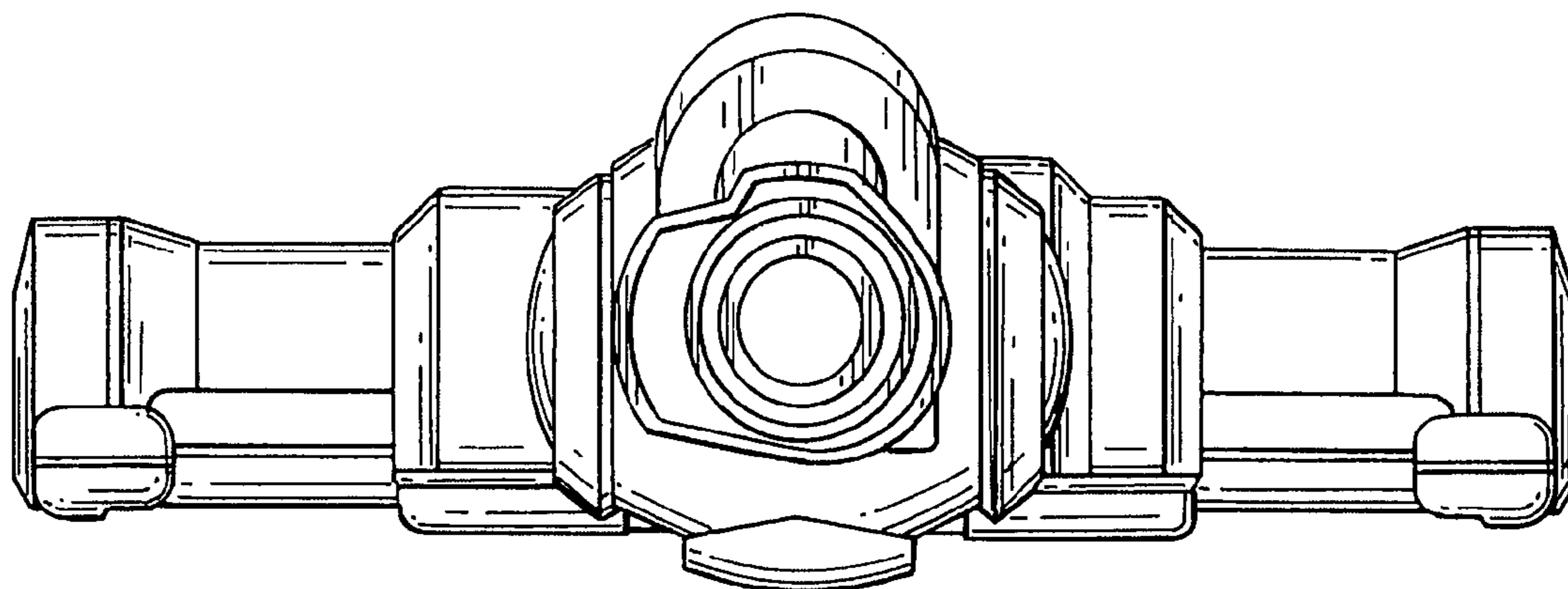
*Fig. 4*



*Fig. 5*



*Fig. 6*



*Fig. 7*