



US00D565264S

(12) **United States Design Patent**
Buschi

(10) **Patent No.:** **US D565,264 S**
(45) **Date of Patent:** **** Mar. 25, 2008**

(54) **VACUUM CLEANER NOZZLE**

(75) Inventor: **Vittorio Felice Buschi**, Erba (IT)

(73) Assignee: **Hoover Limited**, Merthyr Tydfil (GB)

(**) Term: **14 Years**

(21) Appl. No.: **29/276,387**

(22) Filed: **Jan. 24, 2007**

(30) **Foreign Application Priority Data**

Jul. 26, 2006 (EM) 000570825

(51) **LOC (8) Cl.** **15-05**

(52) **U.S. Cl.** **D32/32**

(58) **Field of Classification Search** 15/321-322,
15/325, 329, 340.3, 89, 340.4, 90, 344, 361,
15/350-351, 362, 412, 246.2, 250; D32/21-23,
D32/31-34, 38-39

See application file for complete search history.

(56) **References Cited**

U.S. PATENT DOCUMENTS

- 3,082,940 A * 3/1963 Frantz 417/366
- D299,175 S * 12/1988 Nimon et al. D32/22
- D328,165 S * 7/1992 Ferrari et al. D32/22
- D333,021 S * 2/1993 Breur D32/32
- D333,022 S * 2/1993 Kramer et al. D32/32
- D333,539 S * 2/1993 Kramer et al. D32/32

- D346,468 S * 4/1994 Dusinberre et al. D32/22
- D443,120 S * 5/2001 Choi D32/32
- D444,277 S * 6/2001 Santiago D32/31
- D449,724 S * 10/2001 Nighy et al. D32/32
- D457,696 S * 5/2002 Worwag D32/32
- D460,231 S * 7/2002 Bagwell et al. D32/32
- D477,446 S * 7/2003 Kalman et al. D32/32
- D487,827 S * 3/2004 Iike et al. D32/32
- D487,828 S * 3/2004 Iike et al. D32/32
- D507,854 S * 7/2005 Kim D32/32
- D515,259 S * 2/2006 Maruyama et al. D32/22
- D518,932 S * 4/2006 Maruyama et al. D32/32

* cited by examiner

Primary Examiner—Sandra Snapp

(74) *Attorney, Agent, or Firm*—Gordon & Jacobson, PC

(57) **CLAIM**

The ornamental design for a vacuum cleaner nozzle, as shown and described.

DESCRIPTION

FIG. 1 is a front view of the vacuum cleaner nozzle;

FIG. 2 is a rear view of the vacuum cleaner nozzle;

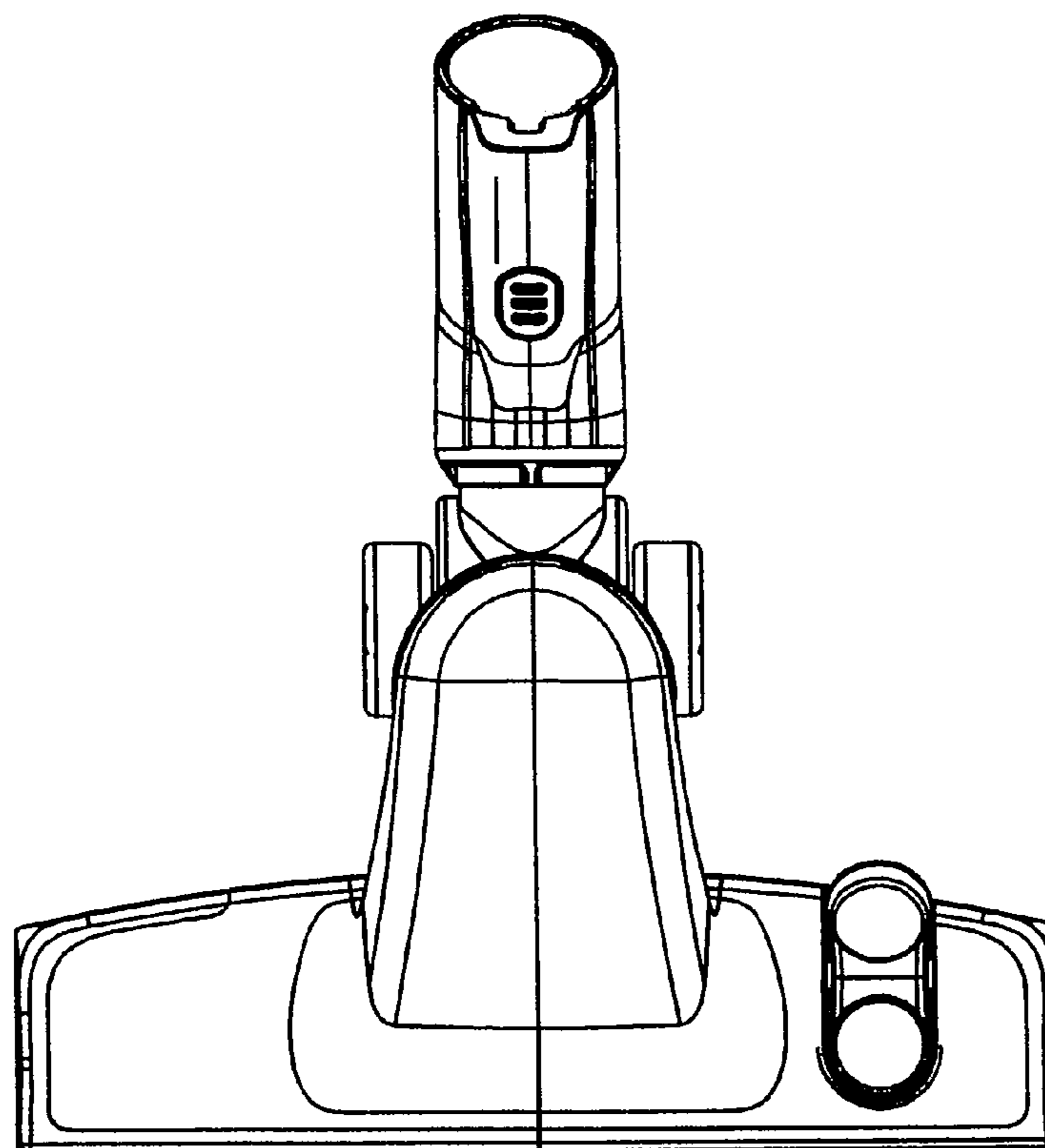
FIG. 3 is a left side view of the vacuum cleaner nozzle;

FIG. 4 is a right side view of the vacuum cleaner nozzle;

FIG. 5 is a top view of the vacuum cleaner nozzle; and,

FIG. 6 is a bottom view of the vacuum cleaner nozzle.

1 Claim, 4 Drawing Sheets



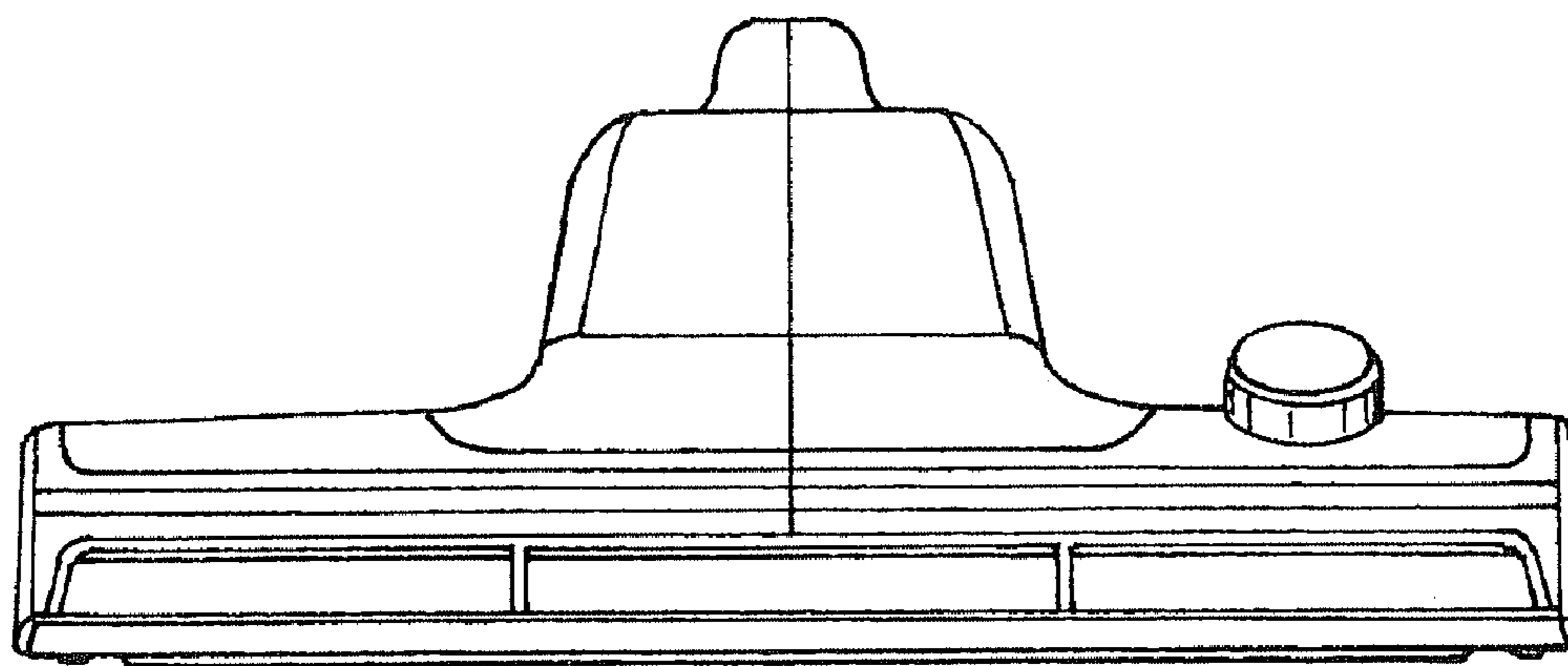


FIG. 1

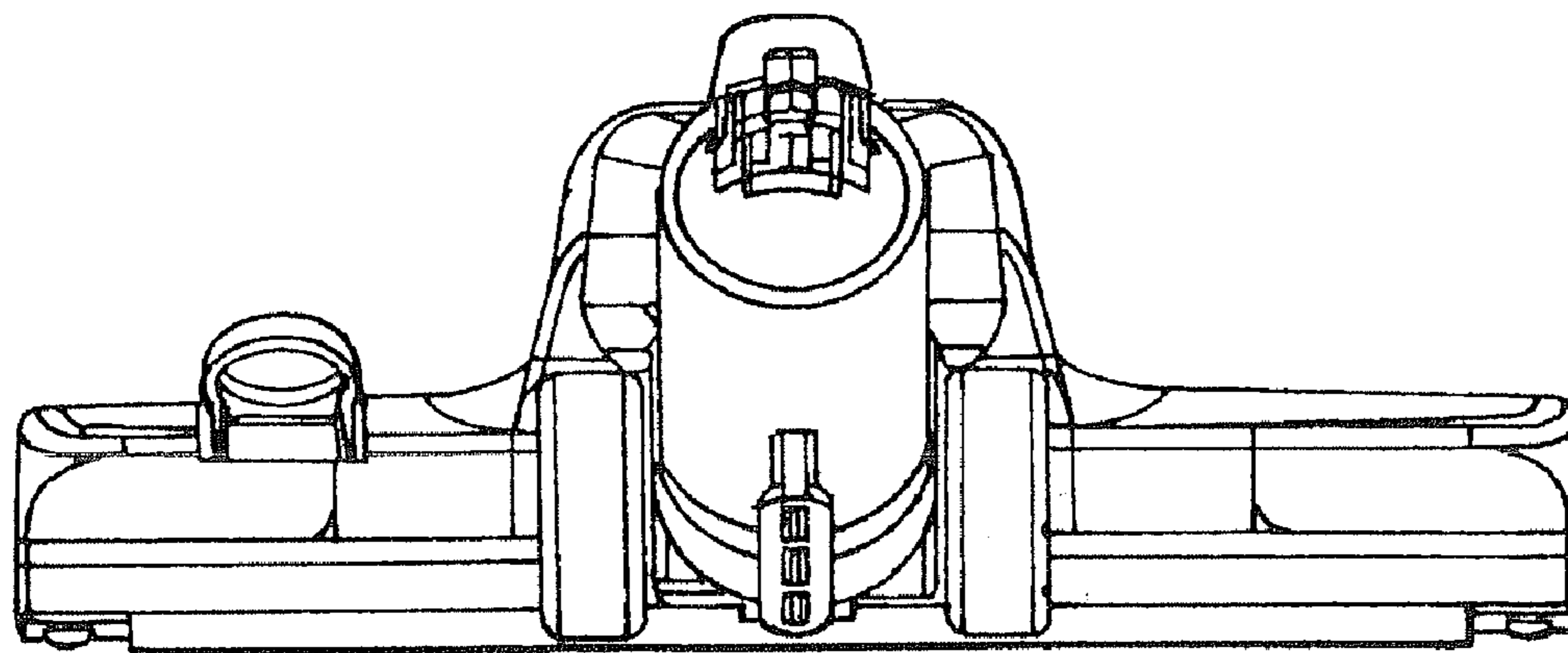


FIG. 2

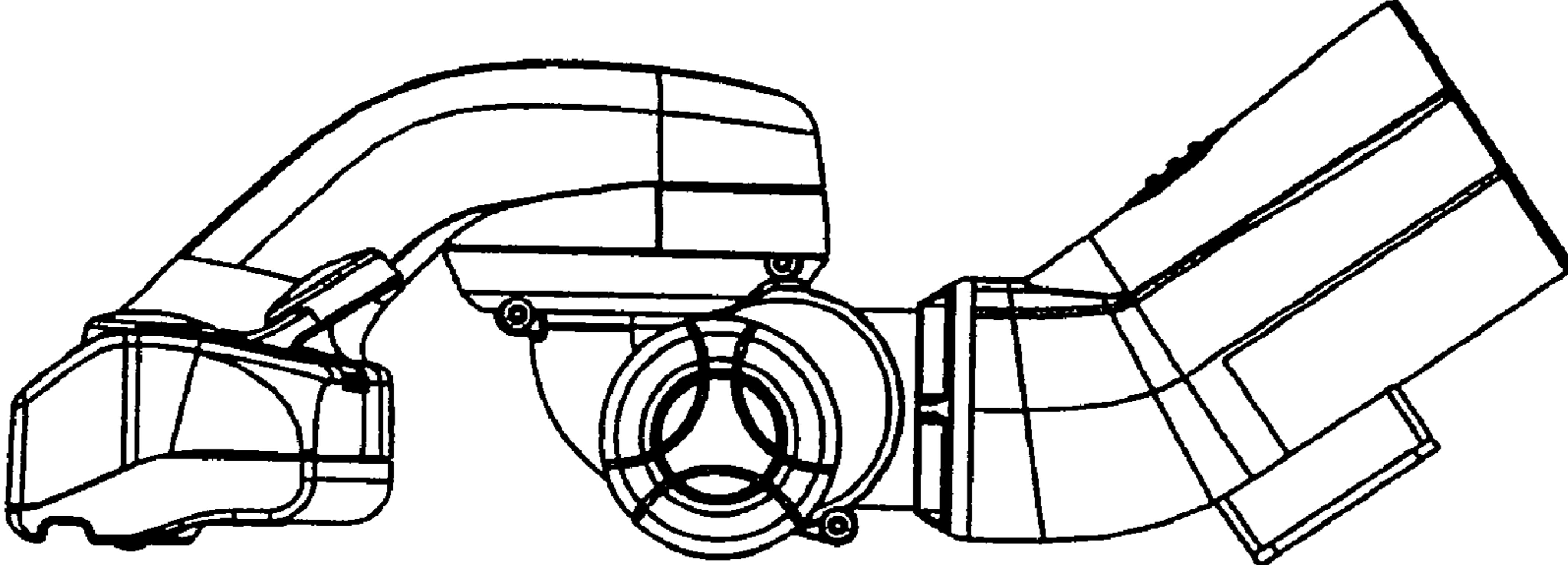


FIGURE 3

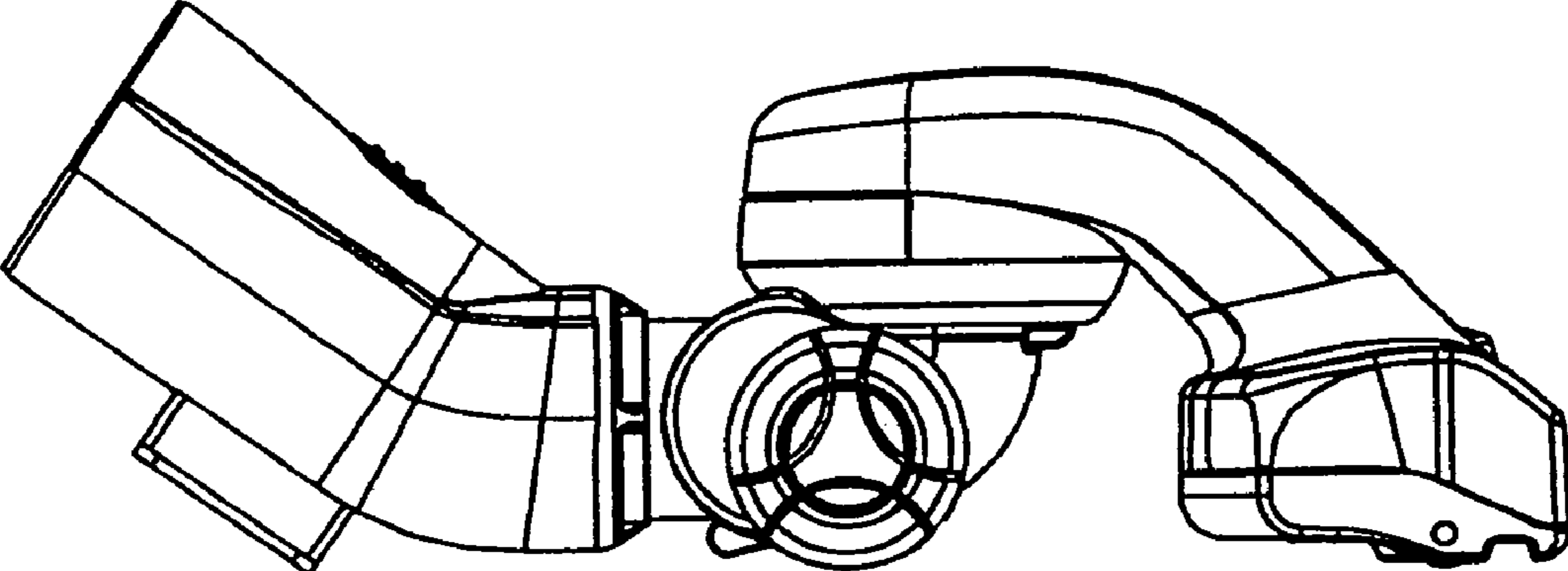


FIGURE 4

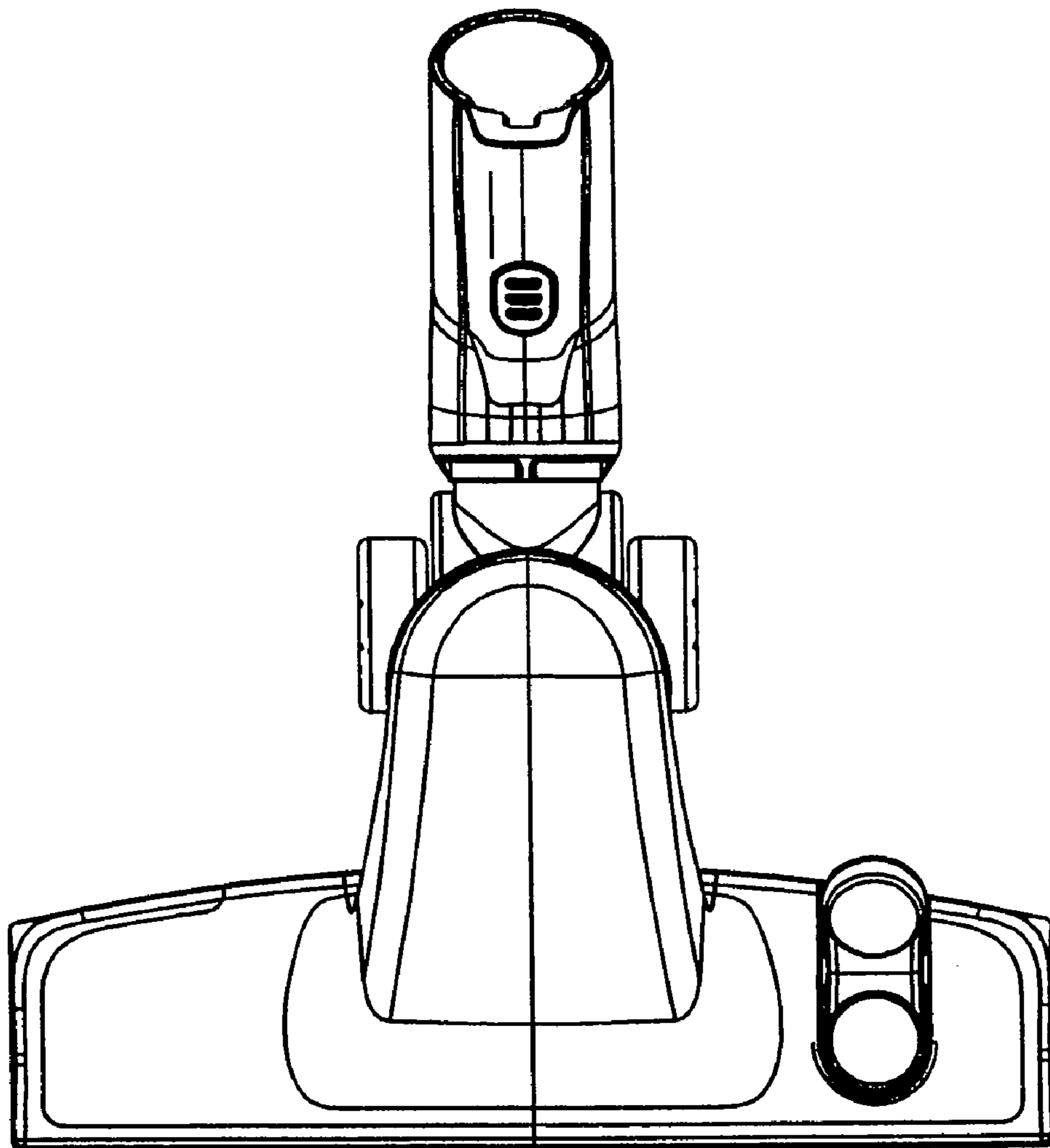


FIGURE 5

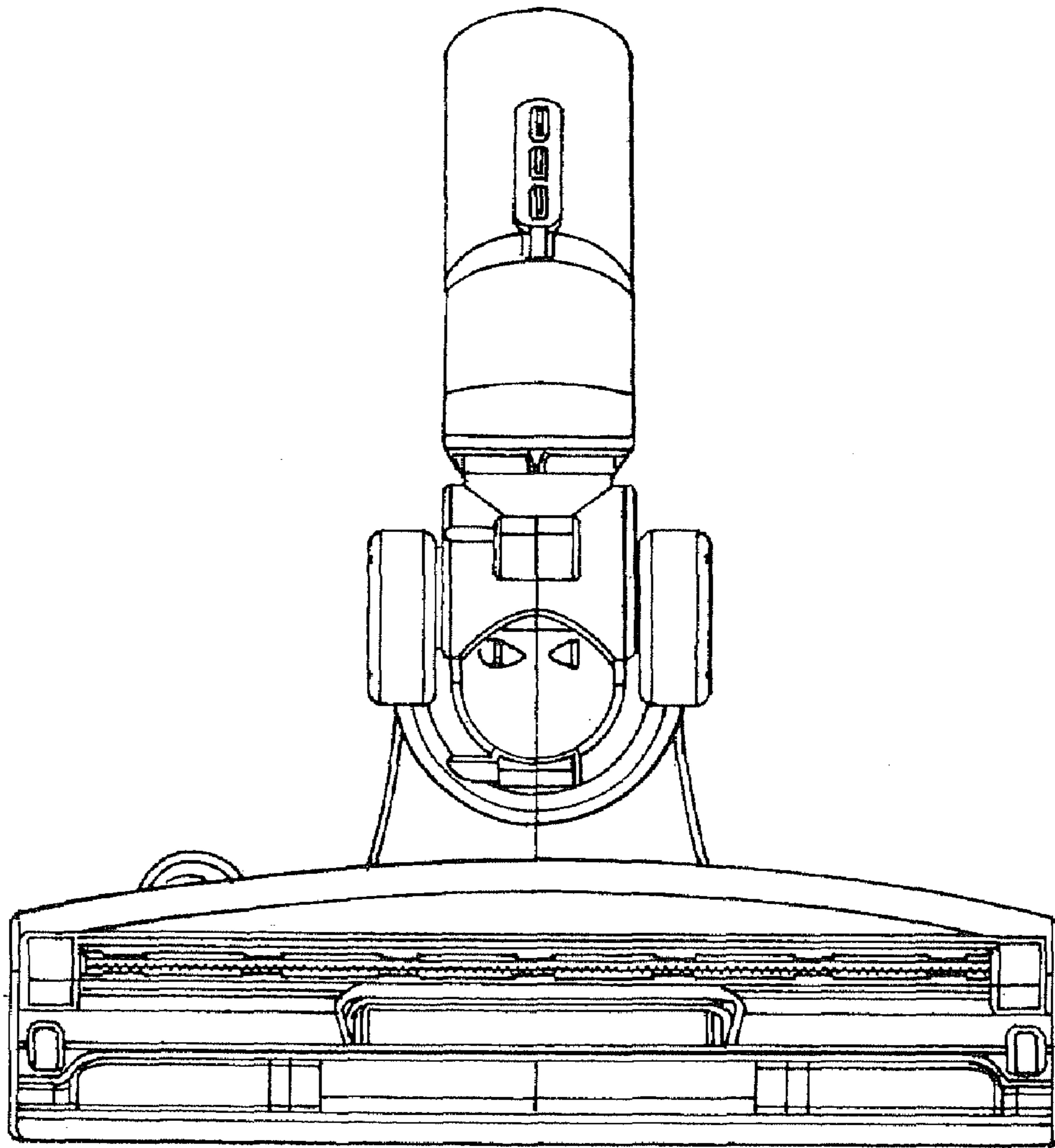


FIG. 6