



US00D565263S

(12) **United States Design Patent**  
**Wishney**

(10) **Patent No.:** **US D565,263 S**  
(45) **Date of Patent:** **\*\* Mar. 25, 2008**

(54) **TOOL FOR A CLEANING APPLIANCE**

(75) Inventor: **Adam Andrew Wishney**, Wiltshire  
(GB)

(73) Assignee: **Dyson Limited**, Wiltshire (GB)

(\*\*) Term: **14 Years**

(21) Appl. No.: **29/273,049**

(22) Filed: **Feb. 26, 2007**

(30) **Foreign Application Priority Data**

Aug. 24, 2006 (GB) ..... 3025767

(51) **LOC (8) Cl.** ..... **15-05**

(52) **U.S. Cl.** ..... **D32/32**

(58) **Field of Classification Search** ..... 15/321-322,  
15/325, 329, 340.3, 89, 340.4, 90, 344, 361,  
15/350-351, 362, 412, 246.2, 250; D32/21-23,  
D32/31-34, 38-39

See application file for complete search history.

(56) **References Cited**

**U.S. PATENT DOCUMENTS**

D141,802 S \* 7/1945 Wittke ..... D32/33  
D178,141 S \* 6/1956 Martinez ..... D32/33  
D247,980 S \* 5/1978 Wistrand ..... D28/18  
D304,525 S \* 11/1989 Kitts et al. .... D4/115

D312,730 S \* 12/1990 Roman ..... D4/115  
D369,448 S \* 4/1996 de Blois et al. .... D32/33  
D375,588 S \* 11/1996 Bzoch ..... D30/158  
D483,536 S \* 12/2003 Martin ..... D32/31  
D520,201 S \* 5/2006 Dyson et al. .... D32/33  
D520,202 S \* 5/2006 Dyson et al. .... D32/33  
D524,497 S \* 7/2006 Bruneau ..... D32/31  
2007/0240275 A1 \* 10/2007 Willenbring ..... 15/324

\* cited by examiner

*Primary Examiner*—Sandra Snapp

(74) *Attorney, Agent, or Firm*—Morrison & Foerster LLP

(57) **CLAIM**

I claim the ornamental design for a tool for a cleaning appliance, as shown and described.

**DESCRIPTION**

FIG. 1 is a perspective view of a tool for a cleaning appliance showing our new design;

FIG. 2 is a top view thereof;

FIG. 3 is a bottom view thereof;

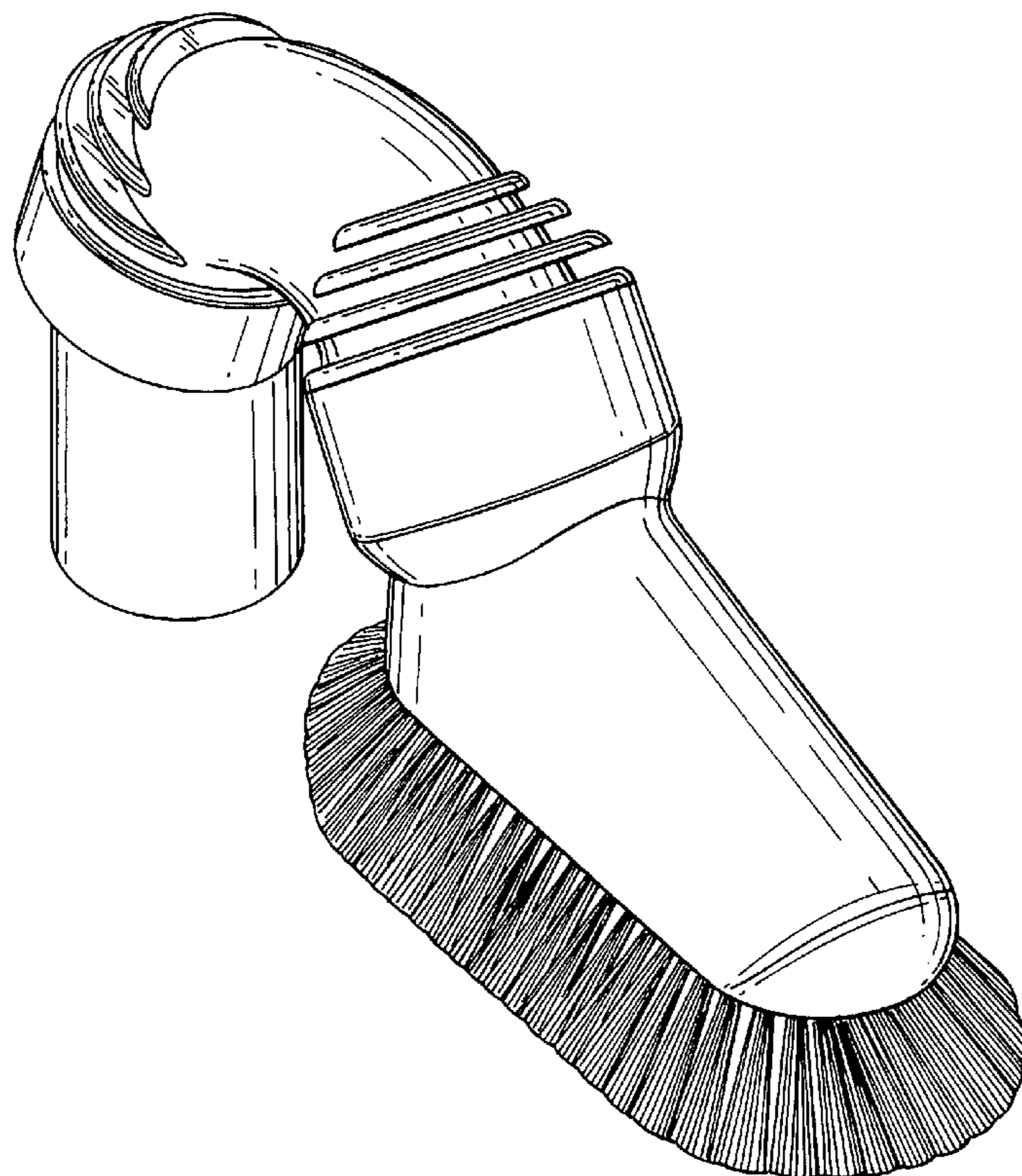
FIG. 4 is a side view thereof;

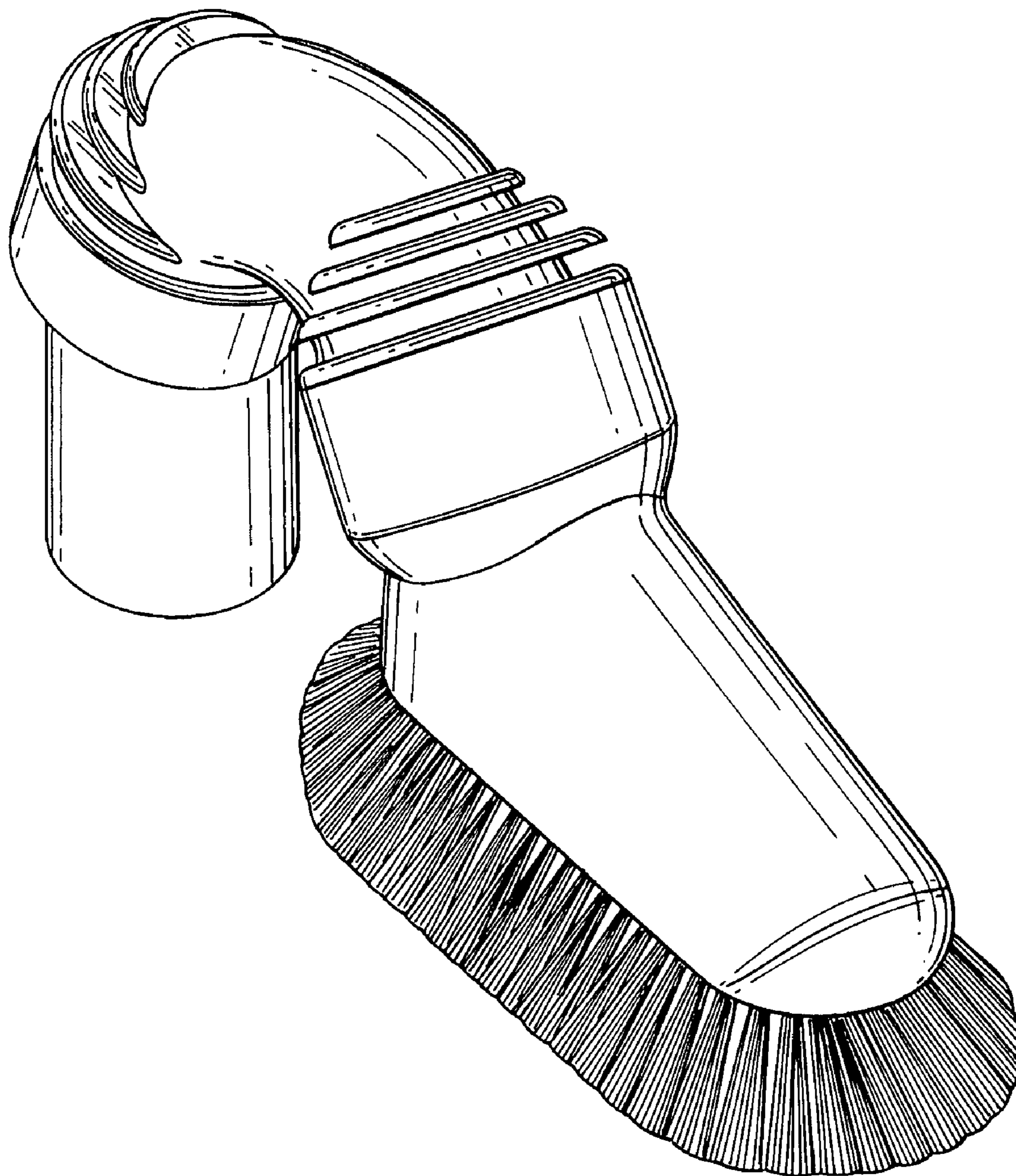
FIG. 5 is a side view of the opposite side of FIG. 4;

FIG. 6 is a front view thereof; and,

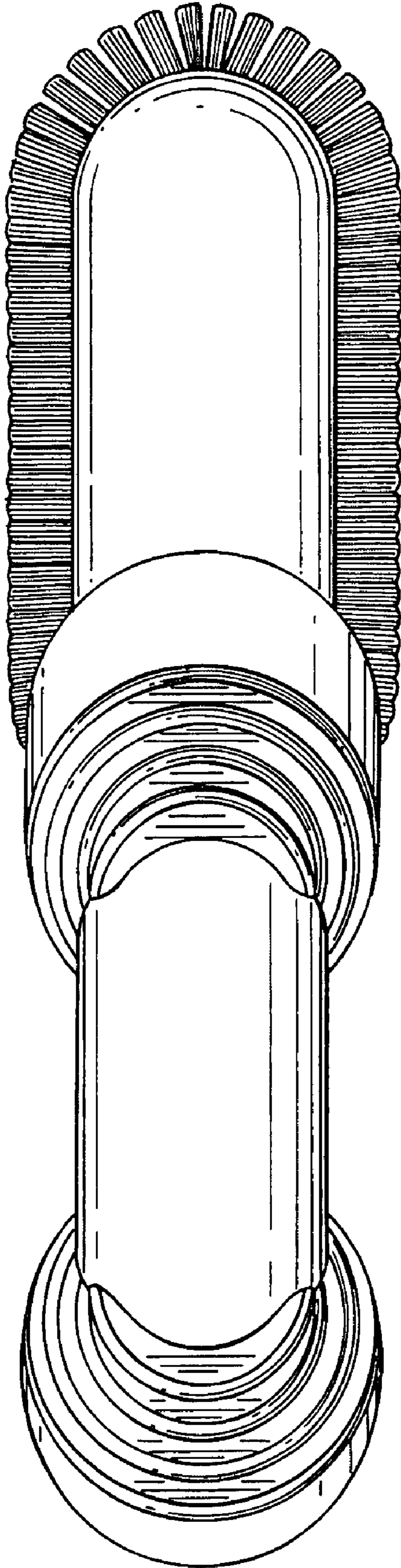
FIG. 7 is a rear view thereof.

**1 Claim, 6 Drawing Sheets**

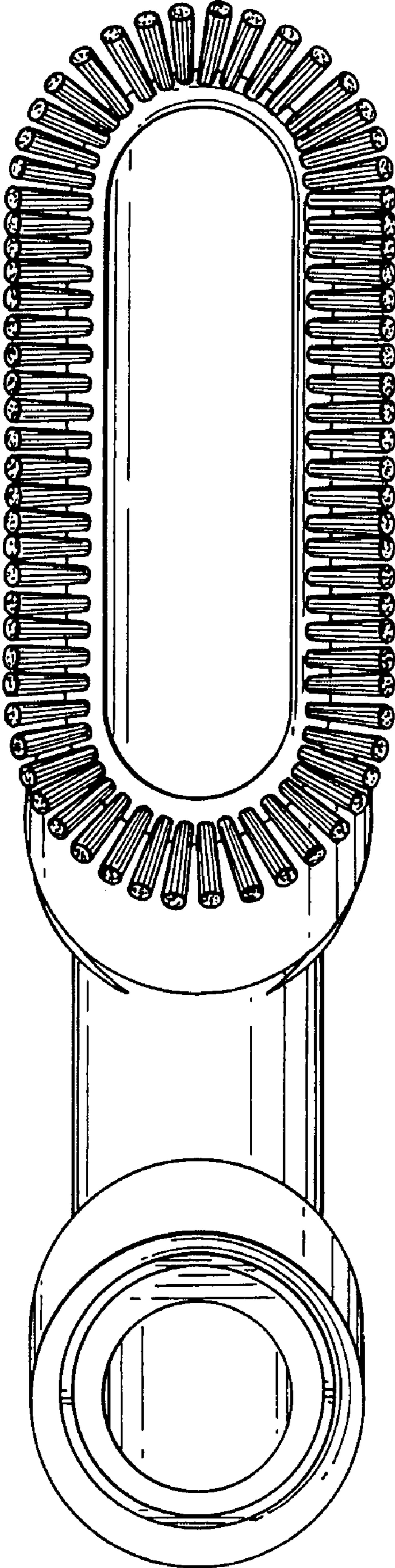




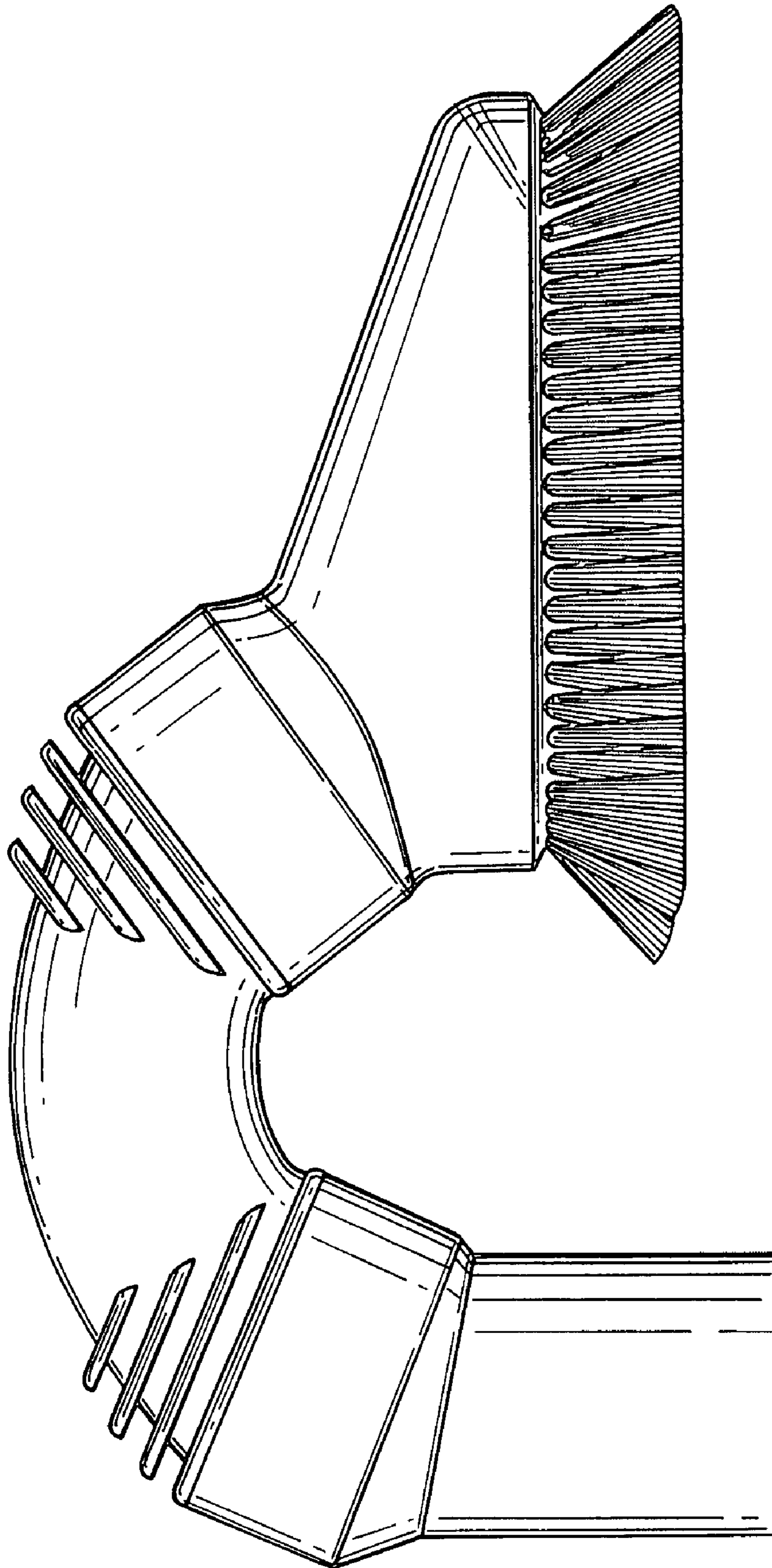
*Fig. 1*



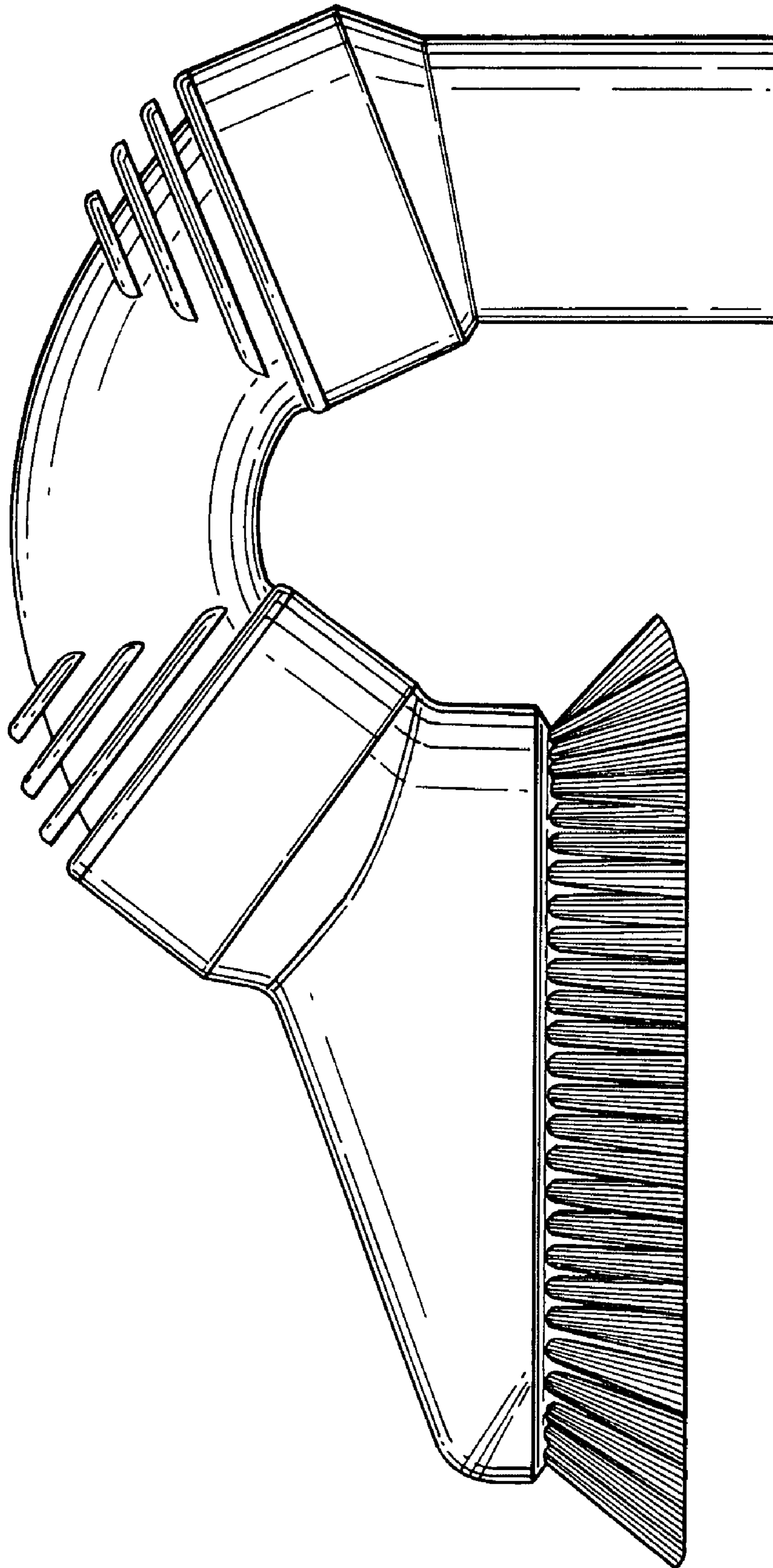
*Fig. 2*



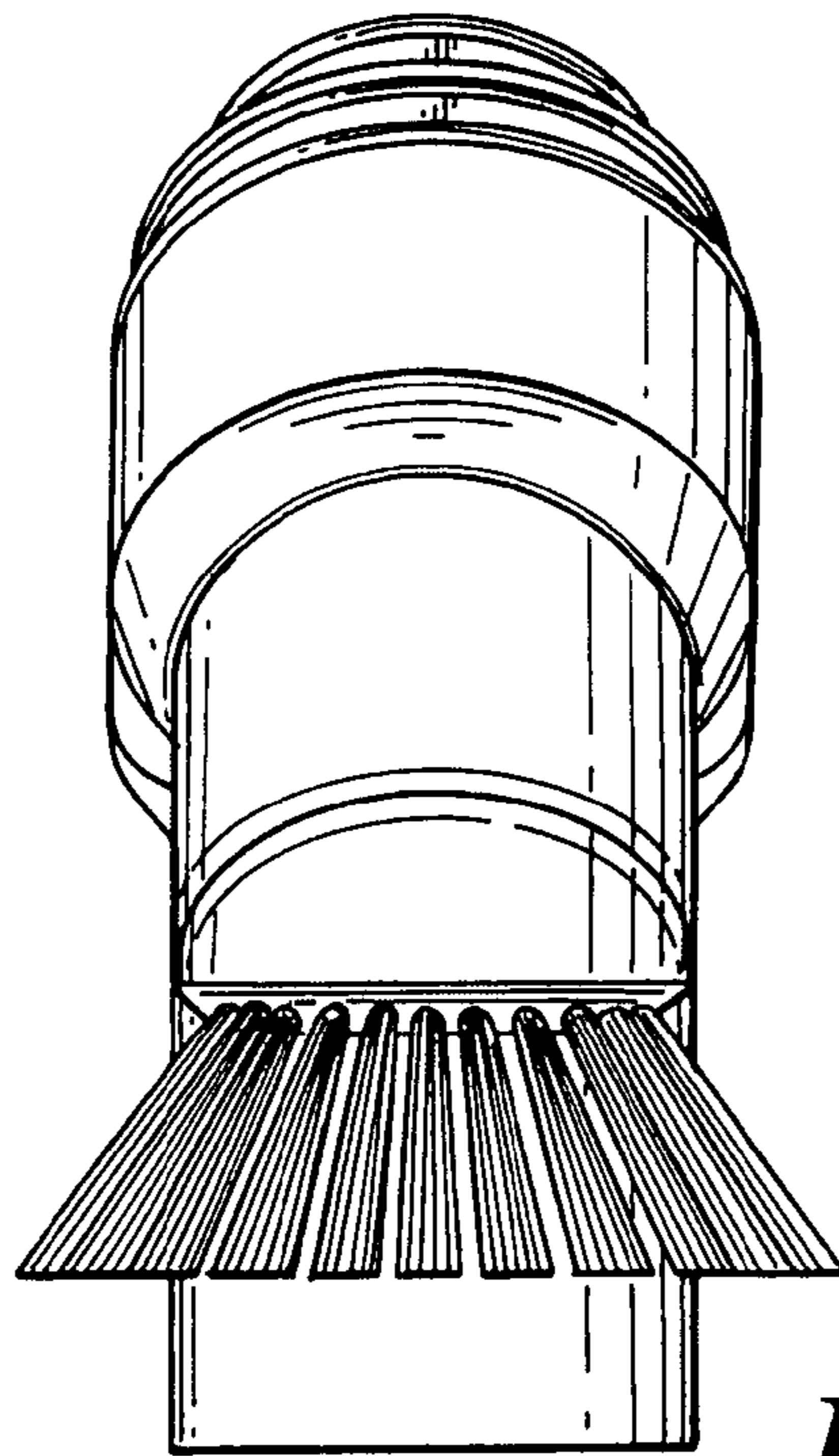
*Fig. 3*



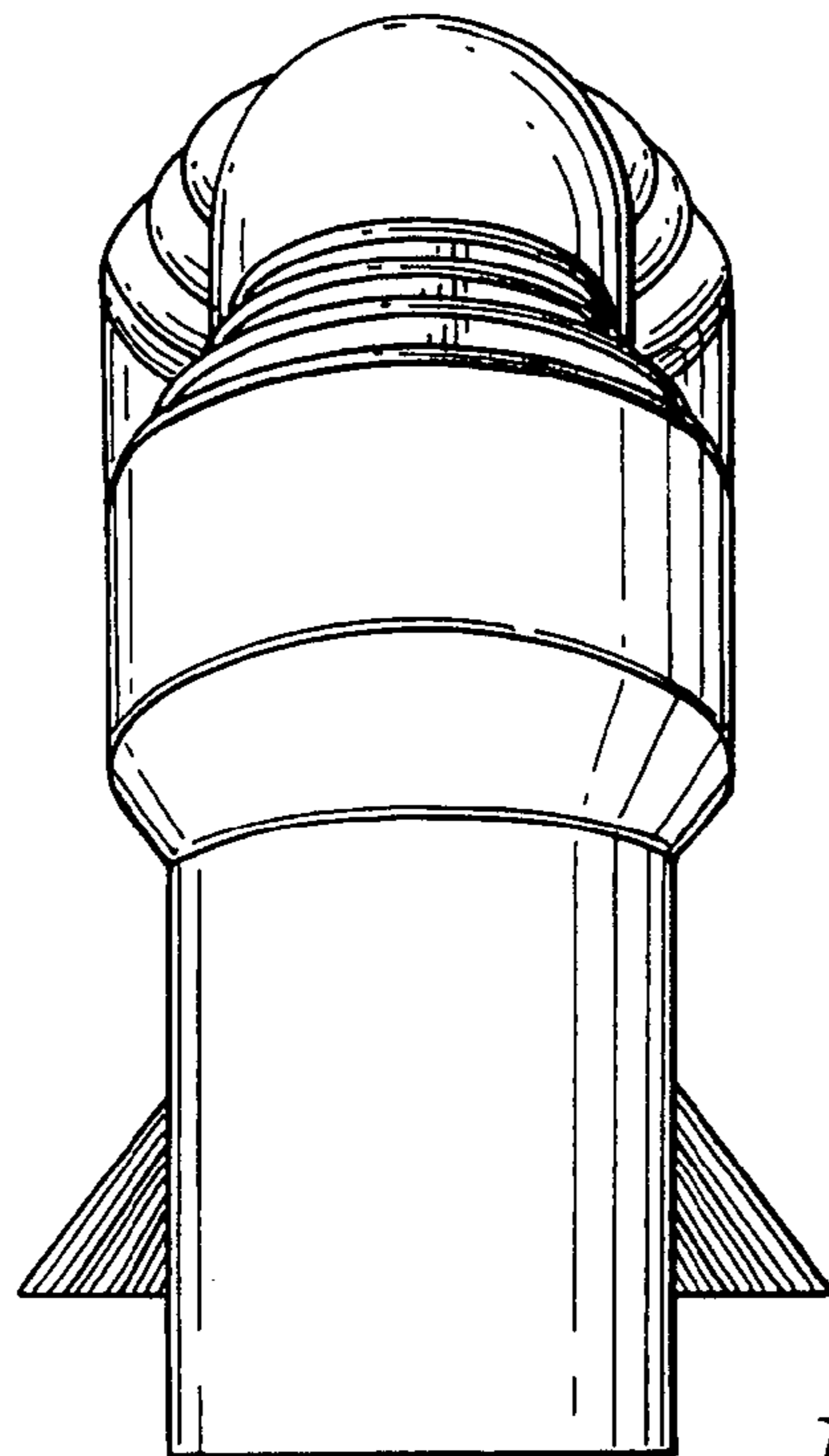
*Fig. 4*



*Fig. 5*



*Fig. 6*



*Fig. 7*