



US00D565262S

(12) **United States Design Patent**
Dyson et al.

(10) **Patent No.: US D565,262 S**
(45) **Date of Patent: ** Mar. 25, 2008**

(54) **TOOL FOR A CLEANING APPLIANCE**

D520,202 S * 5/2006 Dyson et al. D32/33
D533,695 S 12/2006 Dyson et al.
D537,219 S 2/2007 Adams

(75) Inventors: **James Dyson**, Wiltshire (GB); **Stuart Lloyd Genn**, Wiltshire (GB)

OTHER PUBLICATIONS

(73) Assignee: **Dyson Limited**, Wiltshire (GB)

Argos home shopping catalogue, Autumn/Winter 2005 ed. pp. 817-818, 824-825.

(**) Term: **14 Years**

US Dyson Absolute Training Guide, Sep. 25, 2006.

(21) Appl. No.: **29/272,371**

U.S. Dyson Absolute Point of Purchase Materials: bilingual brochure and product tag, Oct. 16, 2006, 19 pages.

(22) Filed: **Feb. 7, 2007**

Suppes, Lesley. "Upright Vacuums," *Wired* Oct. 1, 2006., 1 page.
Muñoz, Sara Schaefer. "Shopping Around: Vacuum Cleaners," *The Wall Street Journal: Home & Family—Personal Journal*, Nov. 9, 2006 and corresponding Nov. 9, 2006 e-mail, 3 pages.

(30) **Foreign Application Priority Data**

* cited by examiner

Aug. 8, 2006 (GB) 3025601

Primary Examiner—Sandra Snapp

(51) **LOC (8) Cl.** **15-05**

(74) *Attorney, Agent, or Firm*—Morrison & Foerster LLP

(52) **U.S. Cl.** **D32/32**

(58) **Field of Classification Search** 15/321–322,
15/323–325, 329, 340.3, 89, 340.4, 90, 344,
15/361, 350–351, 362, 412, 246.2, 250; D32/21–23,
D32/31–34, 38–39

(57) **CLAIM**

See application file for complete search history.

We claim the ornamental design for a tool for a cleaning appliance, as shown and described.

(56) **References Cited**

DESCRIPTION

U.S. PATENT DOCUMENTS

FIG. 1 is a perspective view of a tool for a cleaning appliance showing our new design;

- D141,802 S * 7/1945 Wittke D32/33
- D141,803 S * 7/1945 Wittke D32/32
- D141,807 S * 7/1945 Wittke D32/33
- D149,060 S * 3/1948 Harvout D32/33
- 2,555,979 A * 6/1951 Lofgren 15/418
- D175,227 S * 7/1955 Martinez D32/33
- D178,141 S * 6/1956 Martinez D32/33
- D479,636 S * 9/2003 Kitts D32/31
- D484,286 S 12/2003 Dyson et al.
- D519,696 S * 4/2006 Adams D32/33

FIG. 2 is a top view thereof;

FIG. 3 is a bottom view thereof;

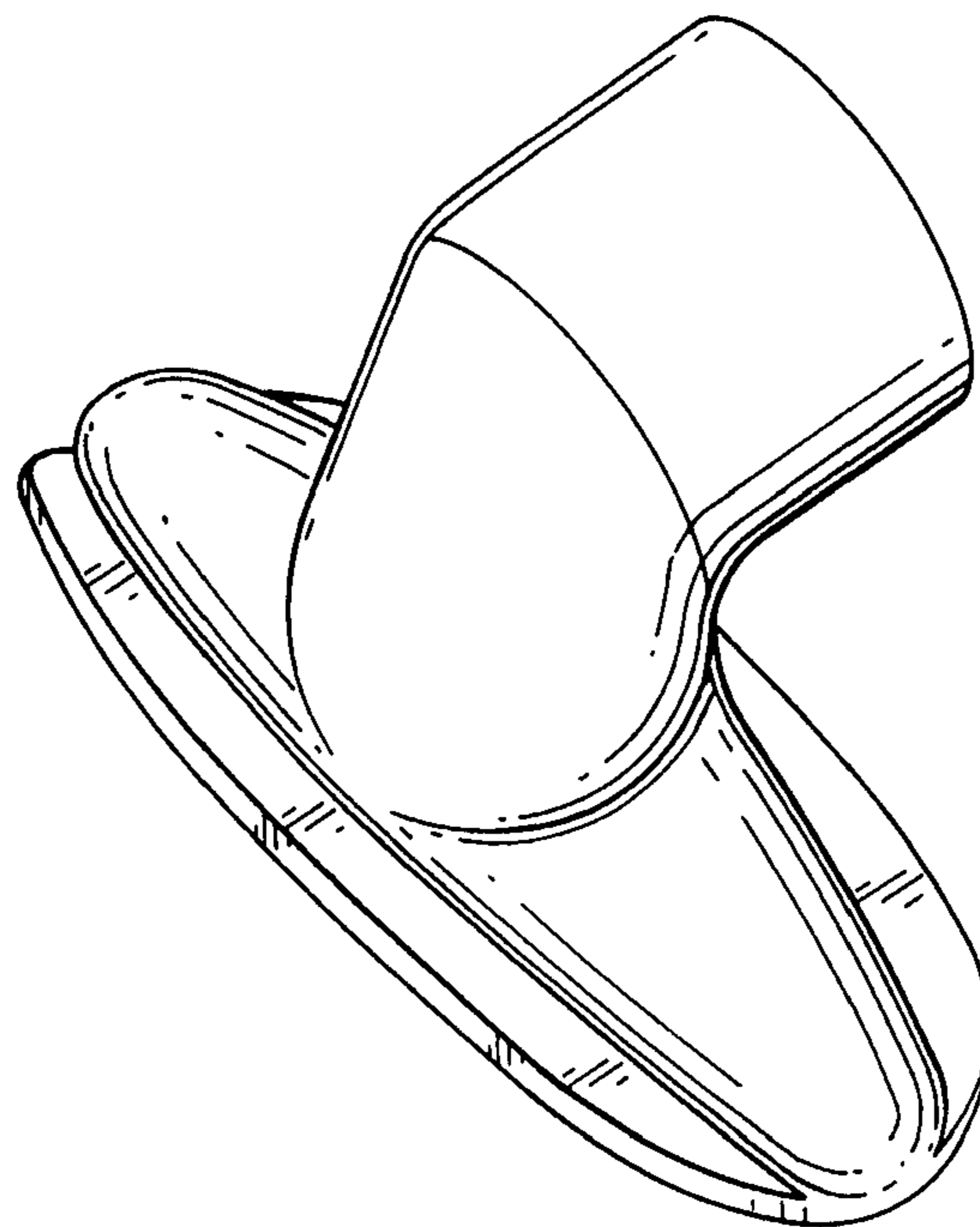
FIG. 4 is a side view thereof;

FIG. 5 is a side view of the opposite side of FIG. 4;

FIG. 6 is a front view thereof; and,

FIG. 7 is a rear view thereof.

1 Claim, 4 Drawing Sheets



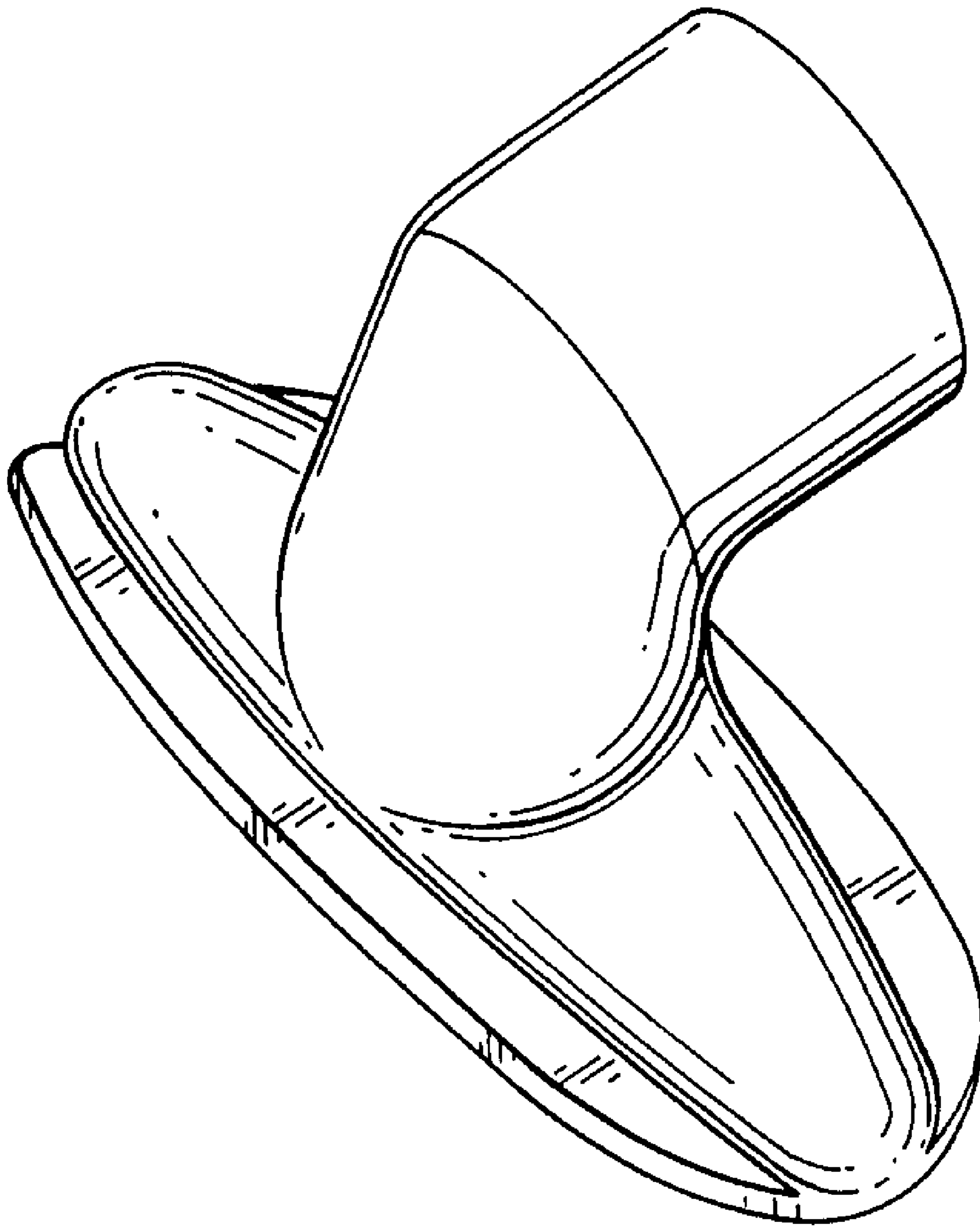


Fig. 1

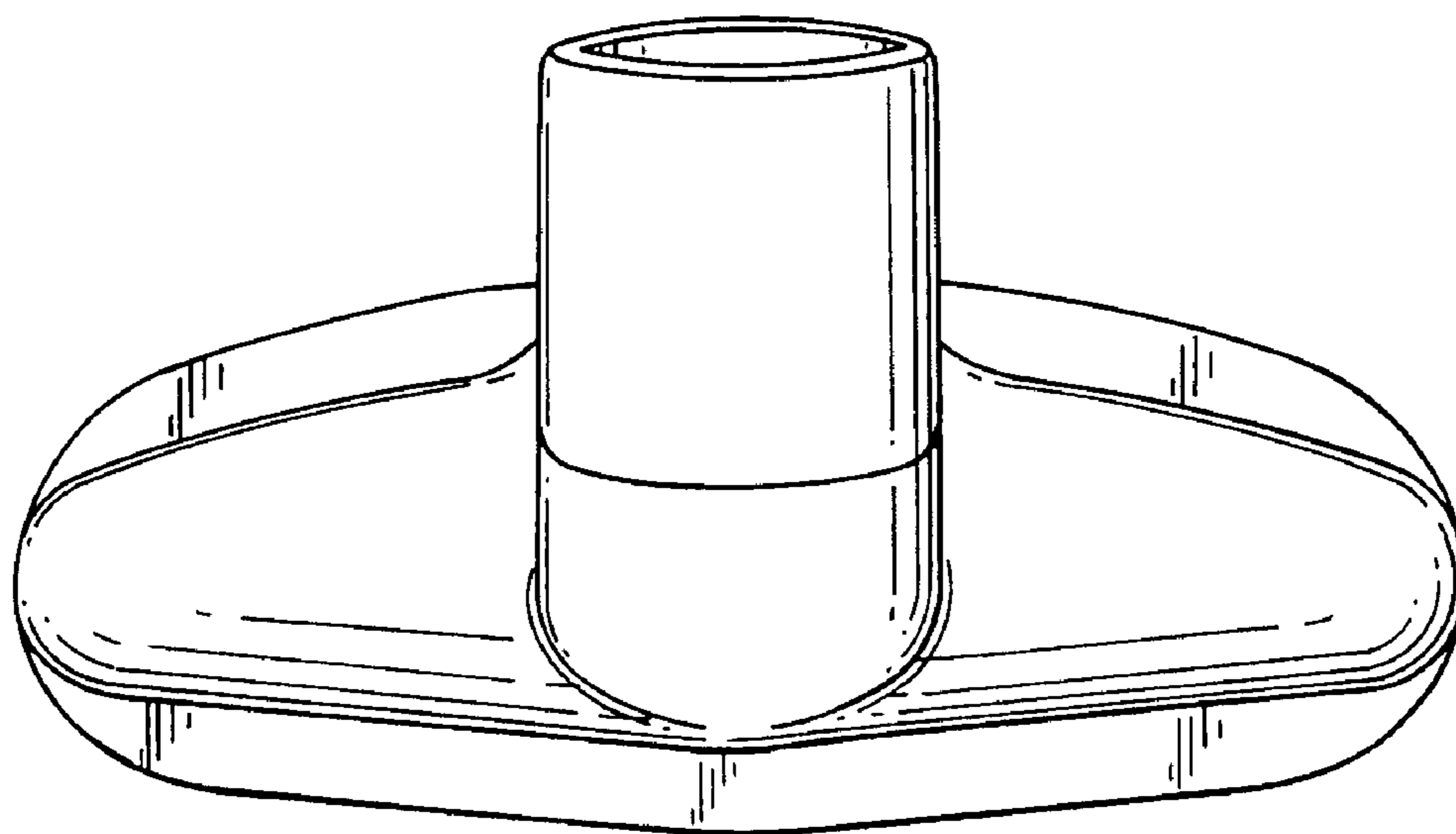


Fig. 2

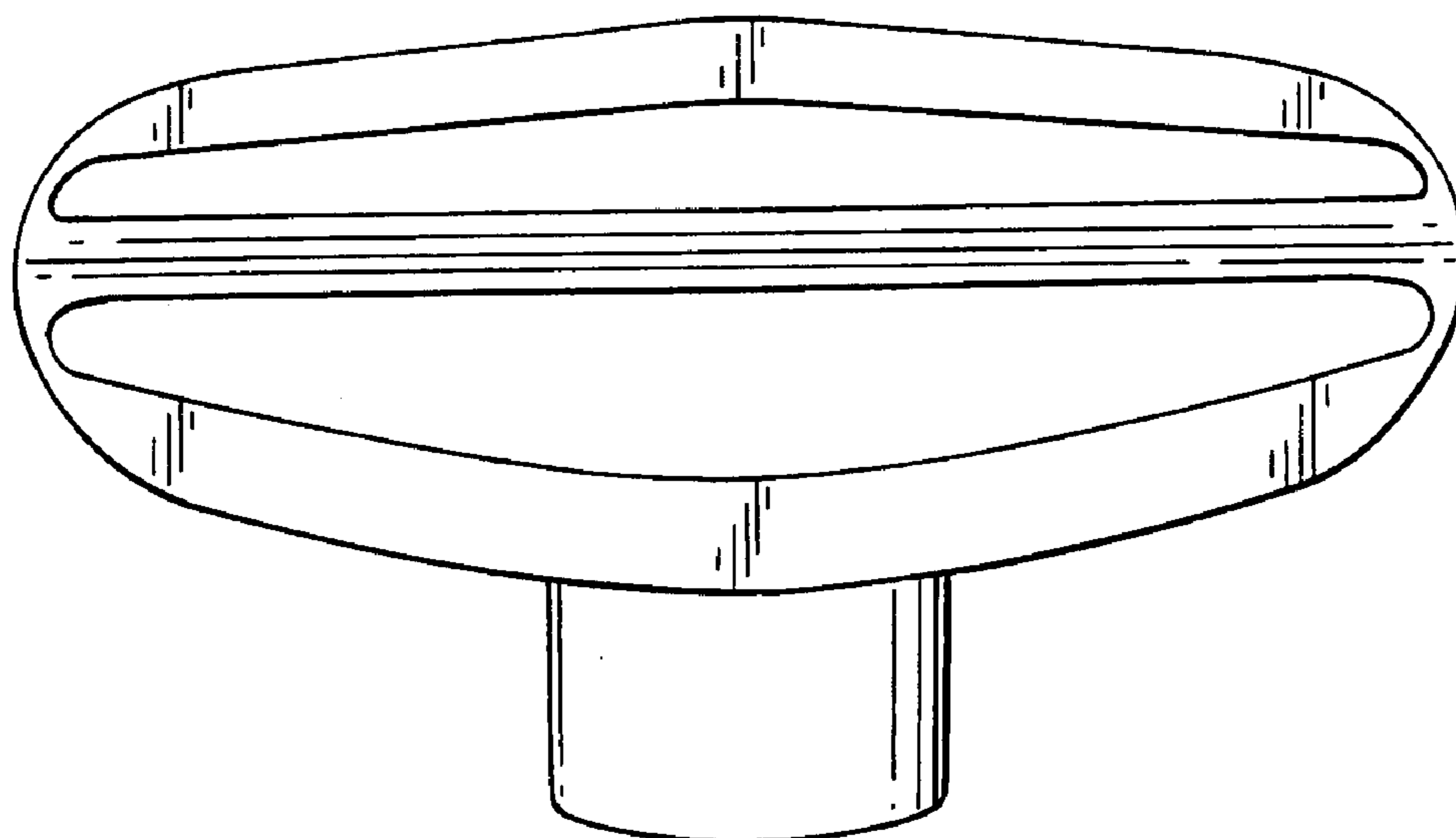


Fig. 3

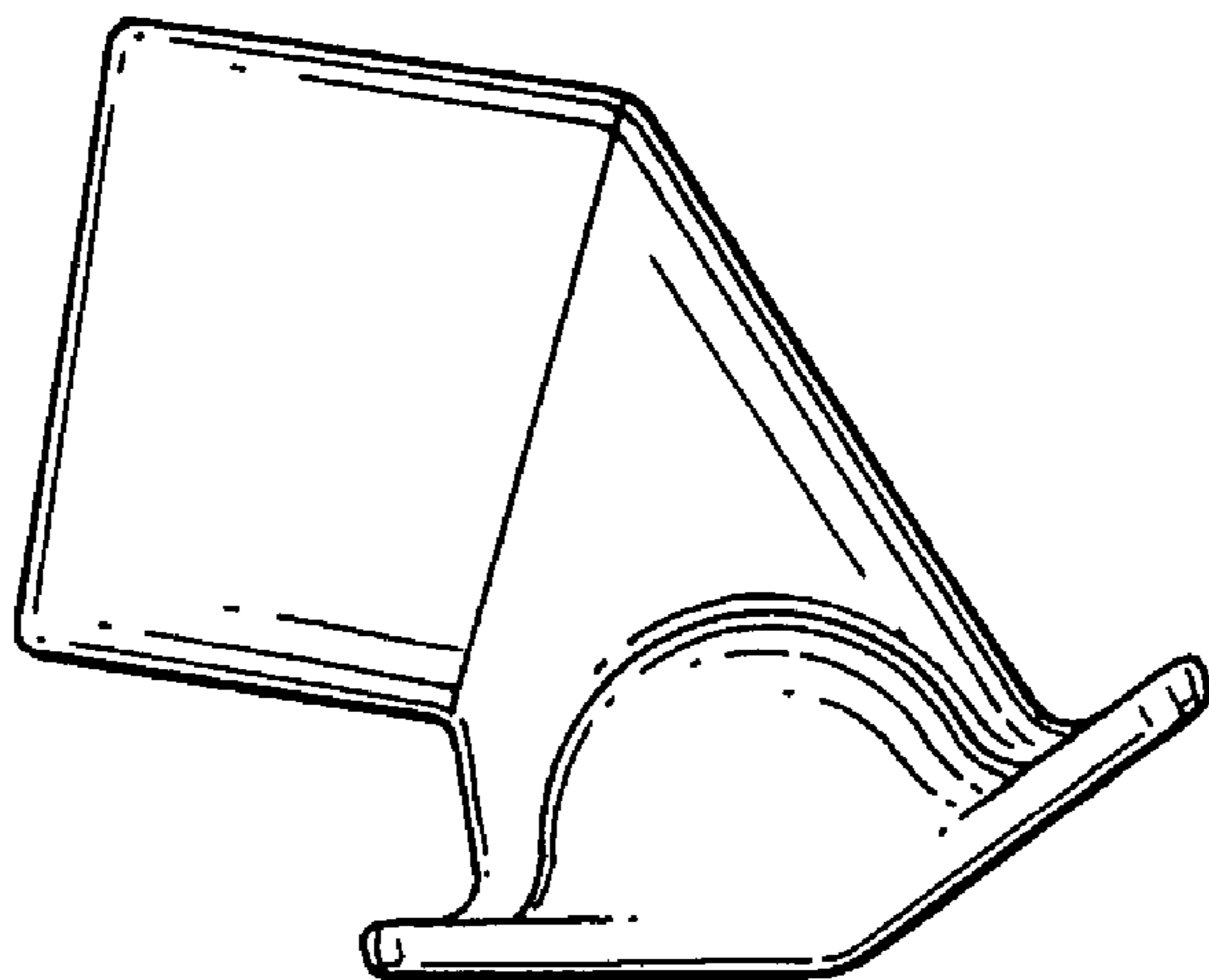


Fig. 4

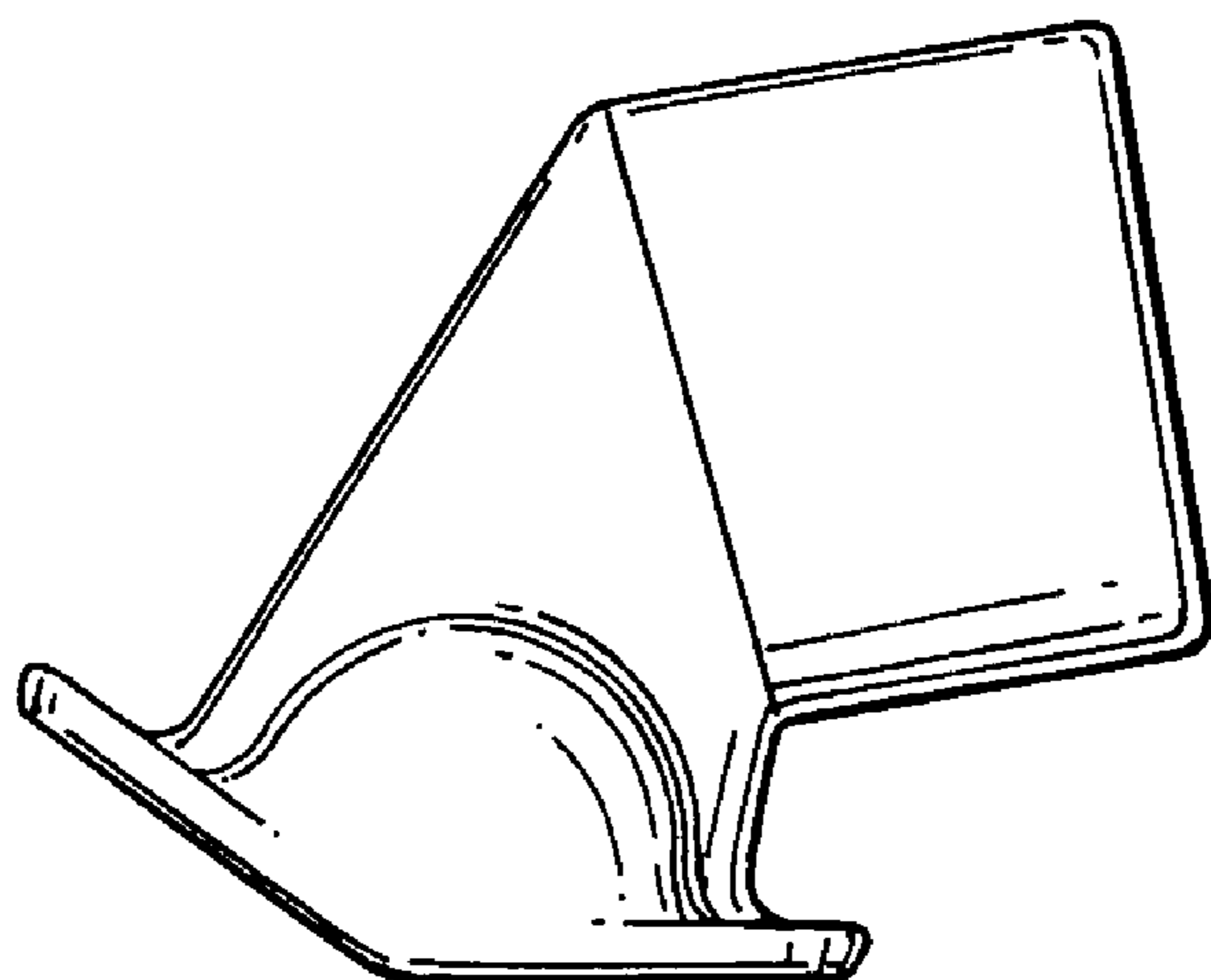


Fig. 5

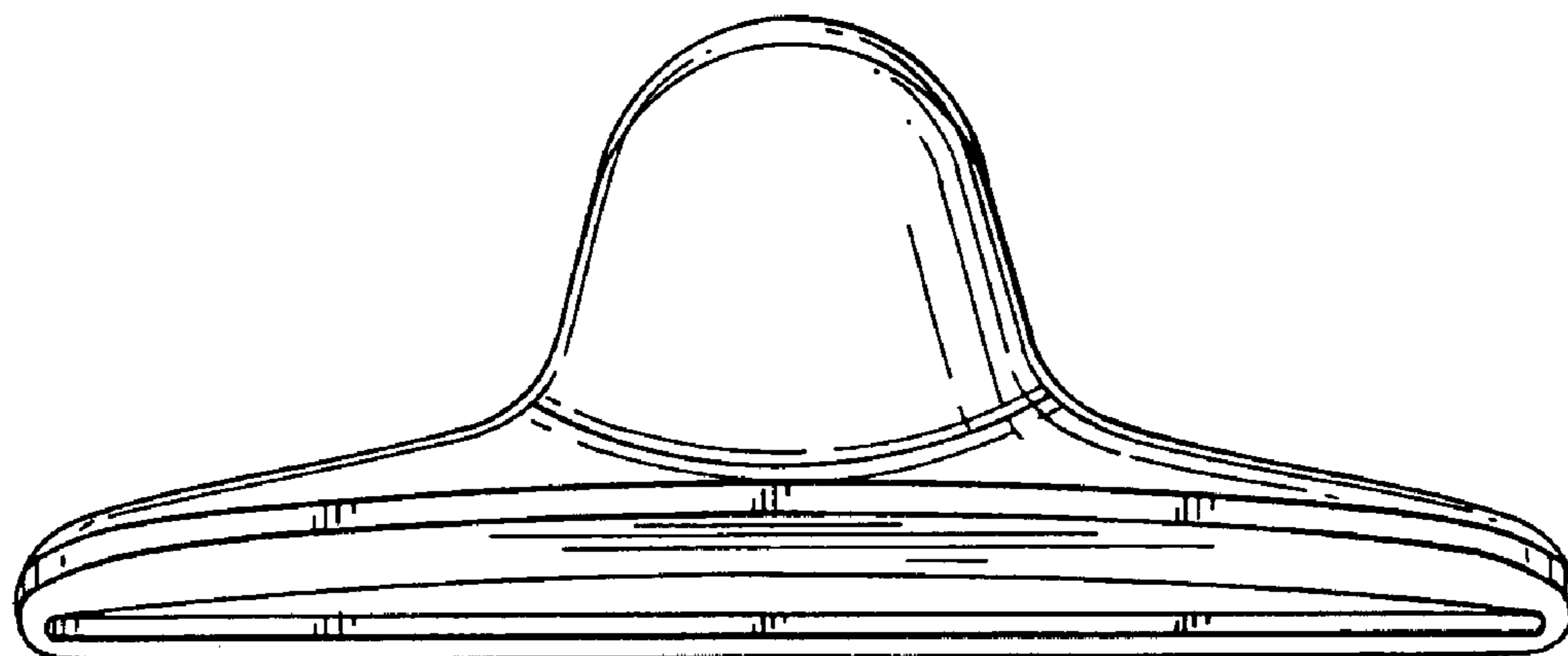


Fig. 6

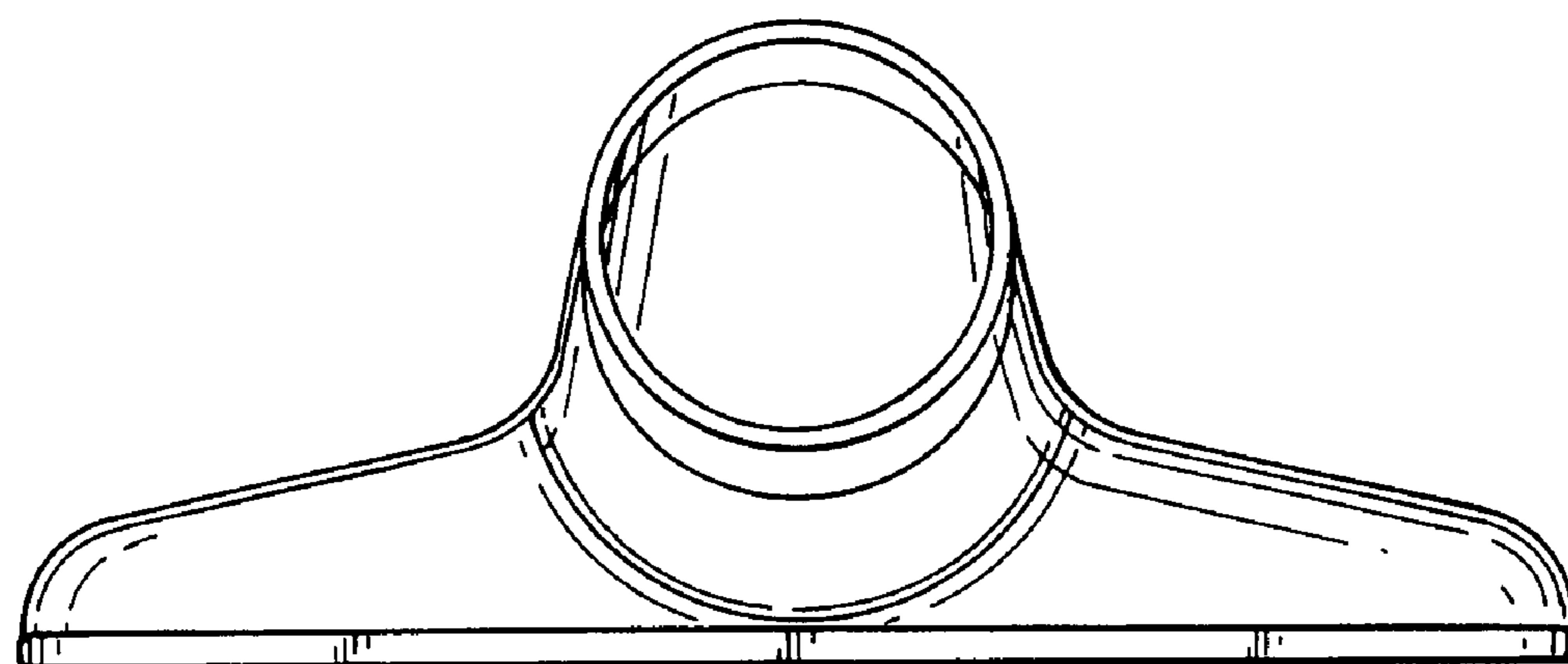


Fig. 7