

US00D565260S

(12) **United States Design Patent**
Lam

(10) **Patent No.:** **US D565,260 S**
(45) **Date of Patent:** **** Mar. 25, 2008**

(54) **COMBINED FAN HEATER AND SHOE DRYER**

D349,788 S * 8/1994 Laferriere et al. D32/1
D372,346 S * 7/1996 Marks D32/8
5,632,099 A * 5/1997 Seifert et al. 34/106
D451,493 S * 12/2001 Ng D14/192

(75) Inventor: **Hoi Tak Raymond Lam**, Kowloon (CN)

* cited by examiner

(73) Assignee: **South Asia International (HK) Limited**, Kowloon, Hong Kong (CN)

Primary Examiner—Stella M. Reid
Assistant Examiner—Kathleen Sims

(**) Term: **14 Years**

(74) *Attorney, Agent, or Firm*—Alix, Yale & Ristas, LLP

(21) Appl. No.: **29/288,208**

(57) **CLAIM**

(22) Filed: **Jun. 4, 2007**

The ornamental design for a combined fan heater and shoe dryer, as shown and described.

(51) **LOC (8) Cl.** **15-05**

(52) **U.S. Cl.** **D32/8**

(58) **Field of Classification Search** D32/25,
D32/8, 59; 34/417, 554, 104–106, 239, 437;
D2/641, 642, 979; 211/34, 35, 37
See application file for complete search history.

DESCRIPTION

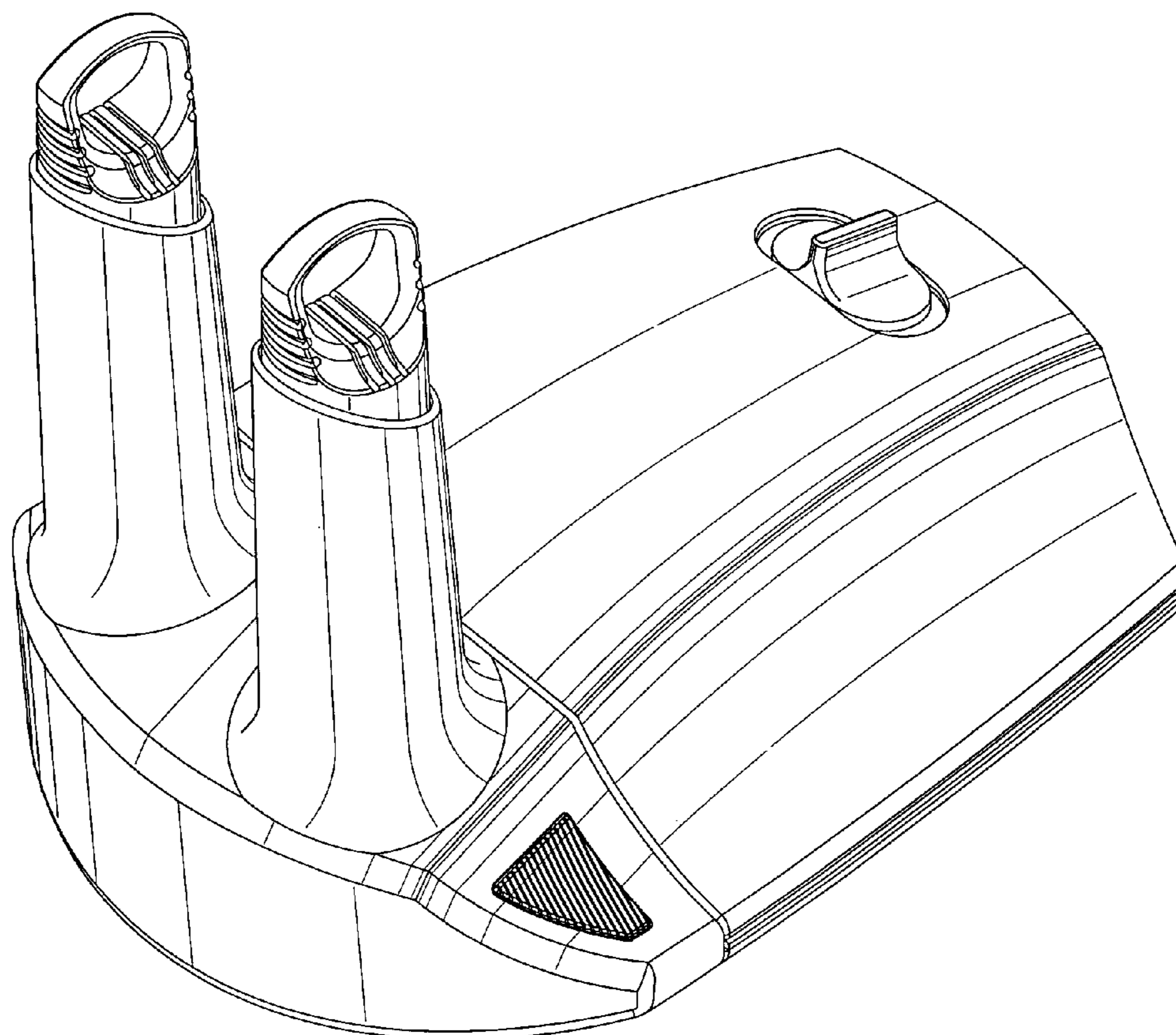
FIG. 1 is a perspective view of the combined fan heater and shoe dryer showing my new design;
FIG. 2 is a front view thereof;
FIG. 3 is a bottom plan view thereof;
FIG. 4 is a left side view thereof;
FIG. 5 is a right side view thereof;
FIG. 6 is a top plan view thereof; and,
FIG. 7 is a rear view thereof.

(56) **References Cited**

U.S. PATENT DOCUMENTS

3,513,564 A * 5/1970 Gramprrie 34/104
4,136,464 A * 1/1979 Hay 34/104
D310,742 S * 9/1990 Johnson D32/58
D327,963 S * 7/1992 Westlake D32/8
D347,094 S * 5/1994 Christensen, Jr. D32/58

1 Claim, 7 Drawing Sheets



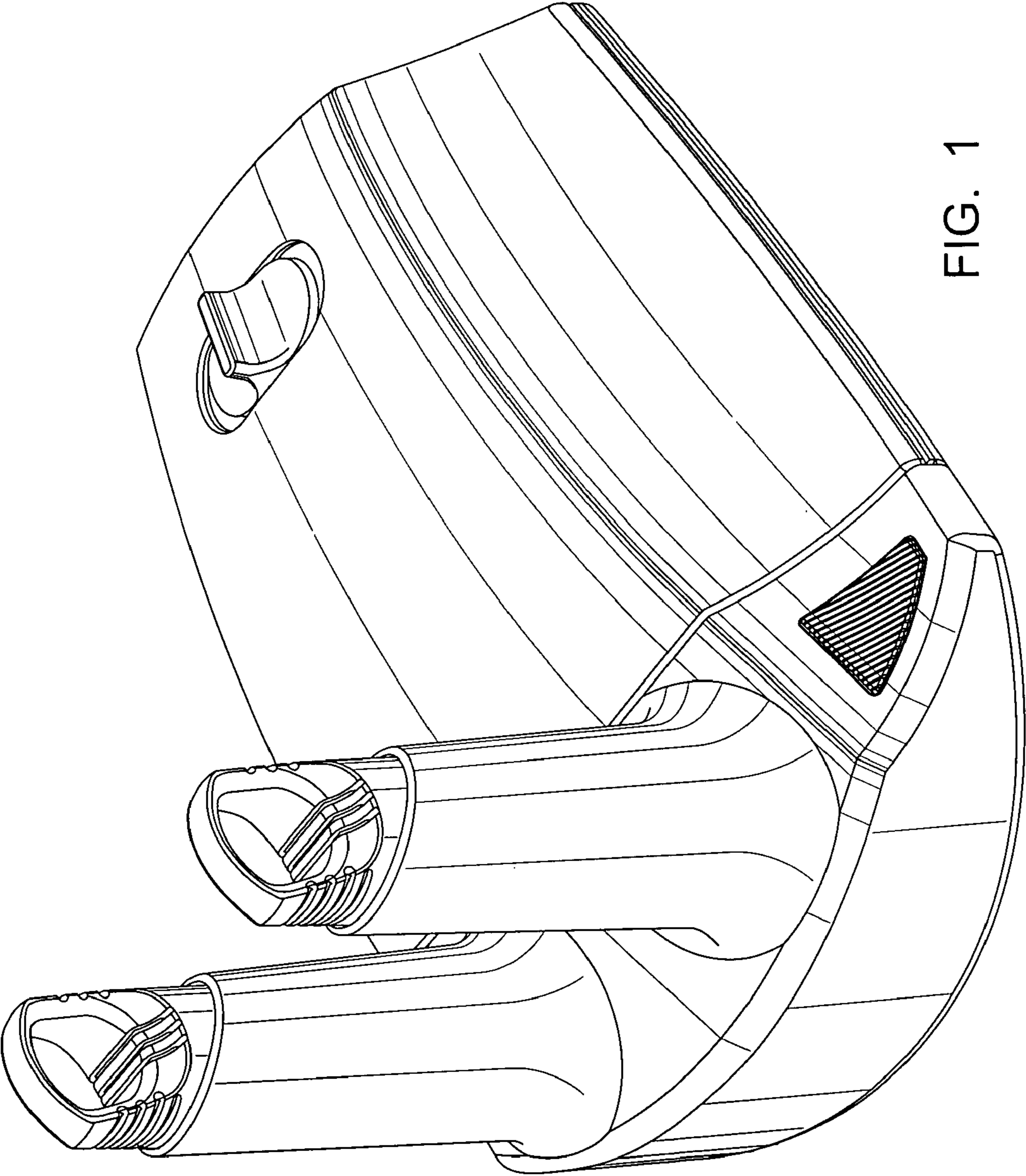


FIG. 1

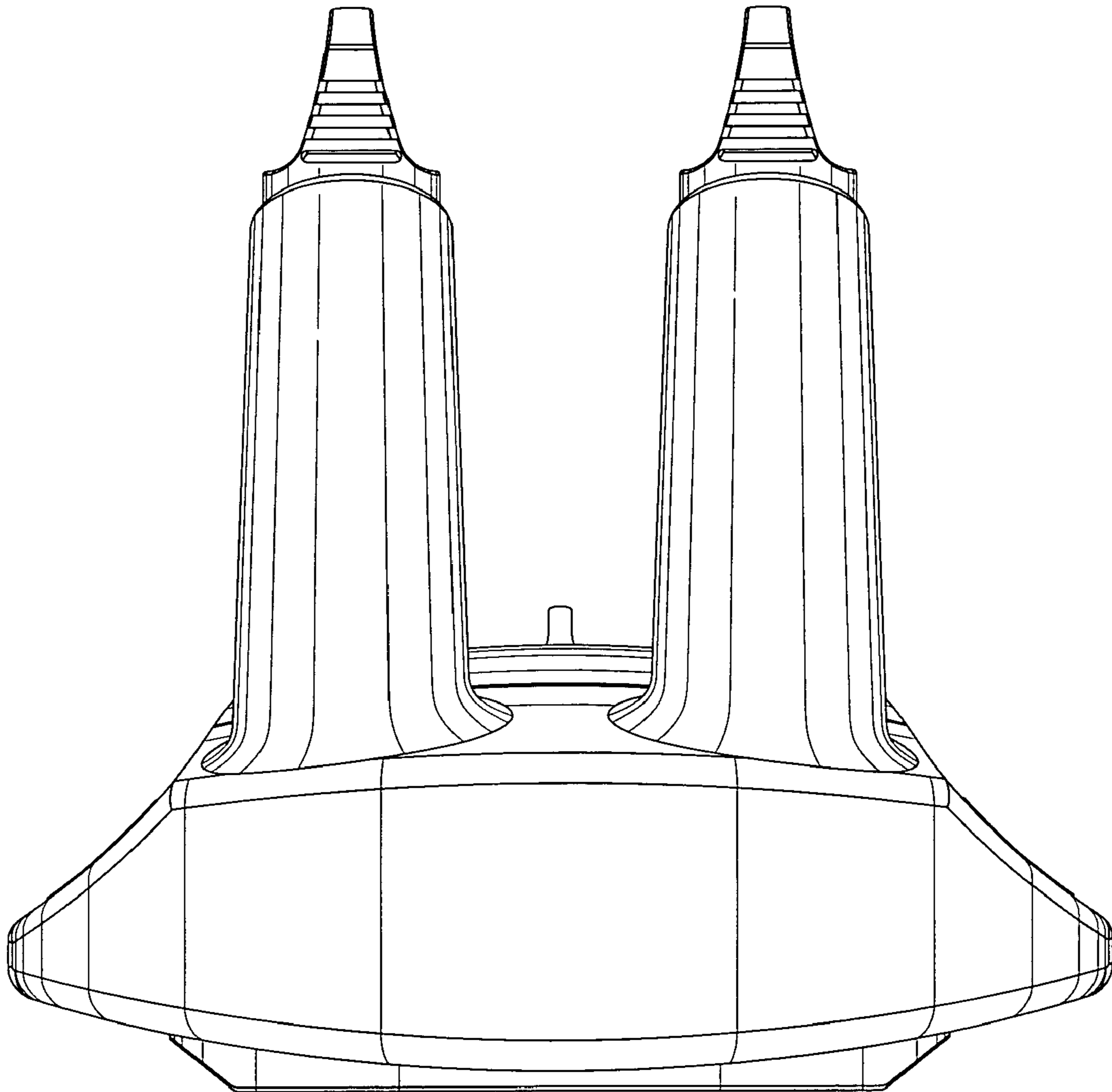


FIG. 2

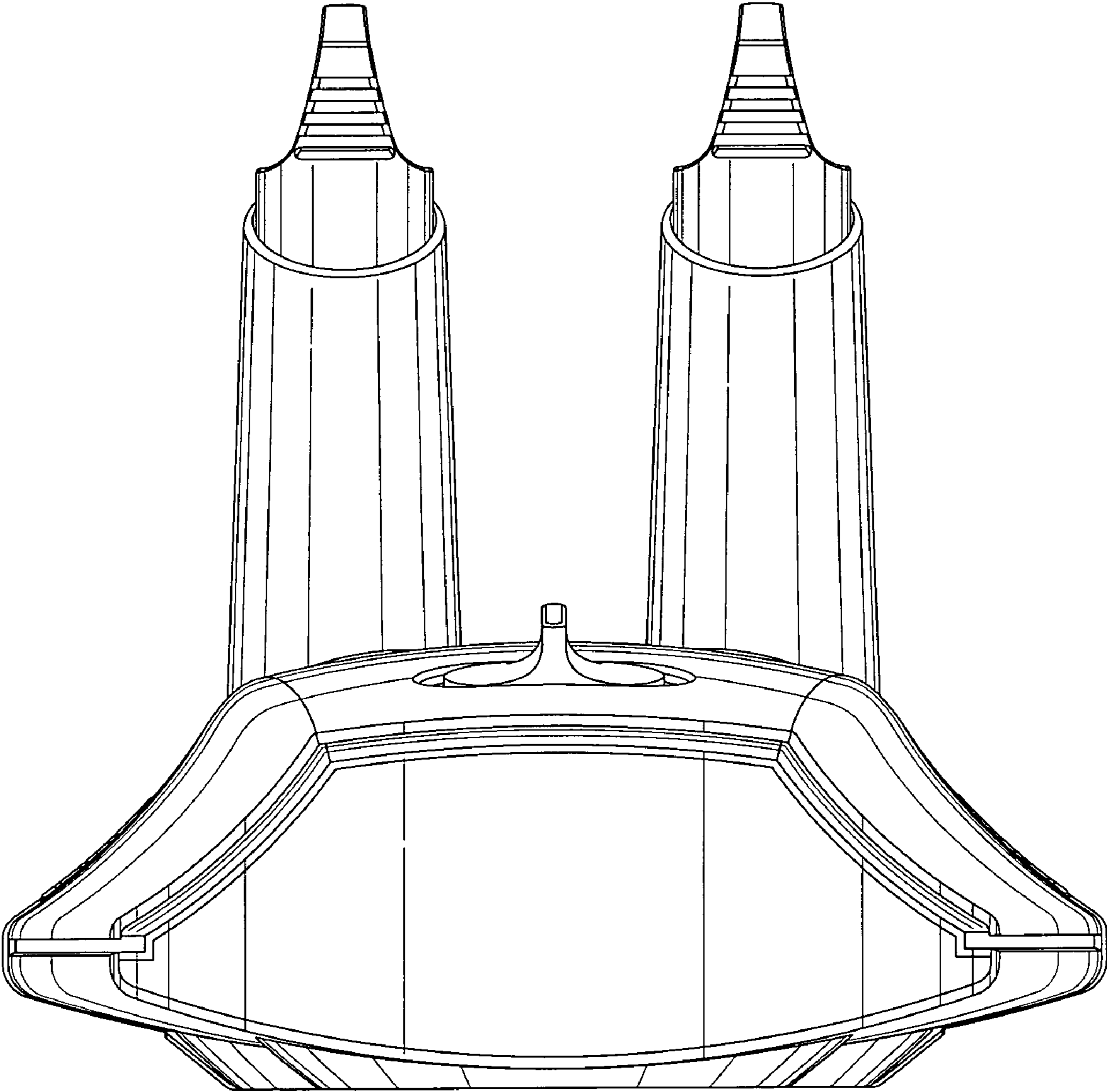


FIG. 3

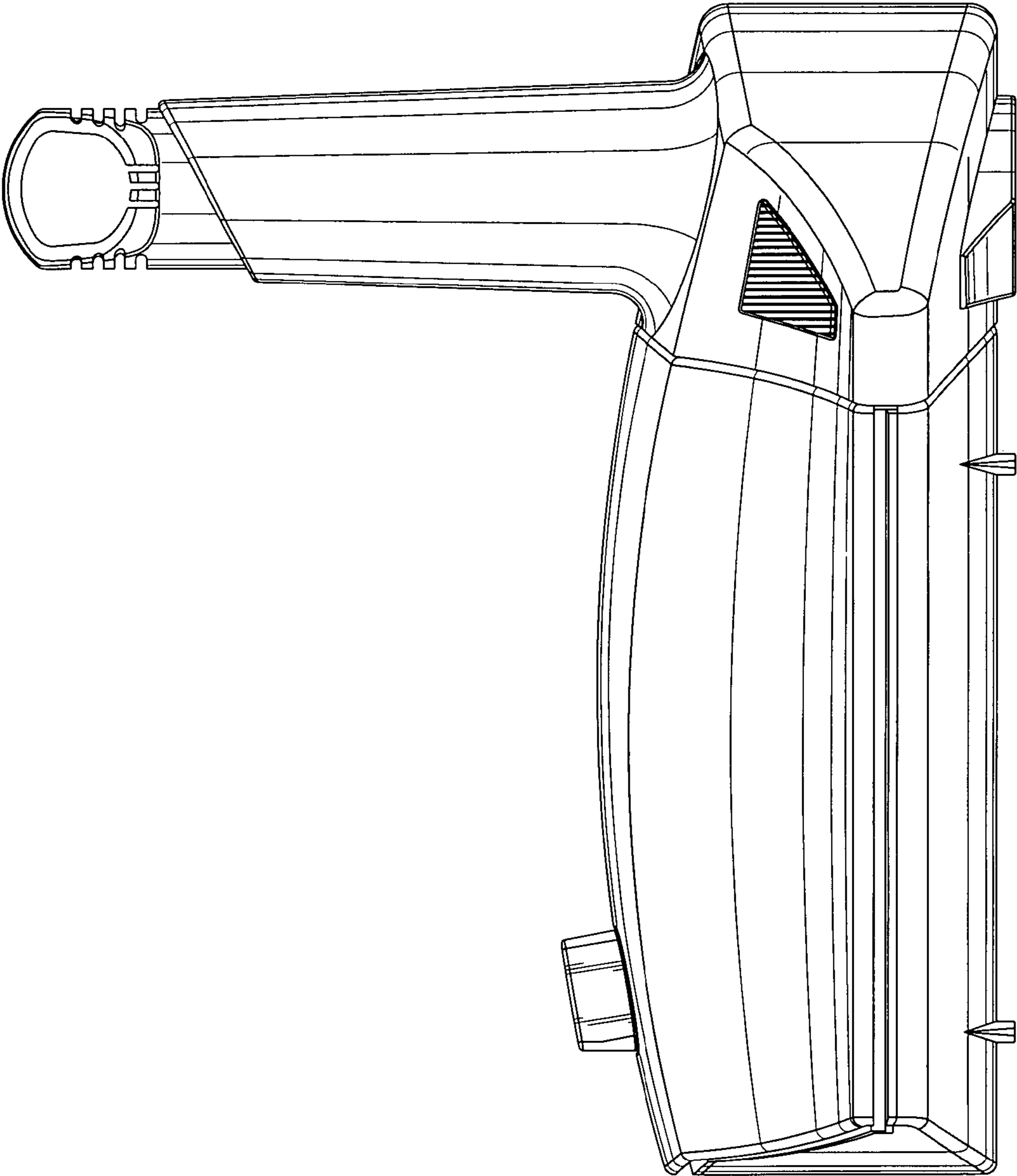


FIG. 4

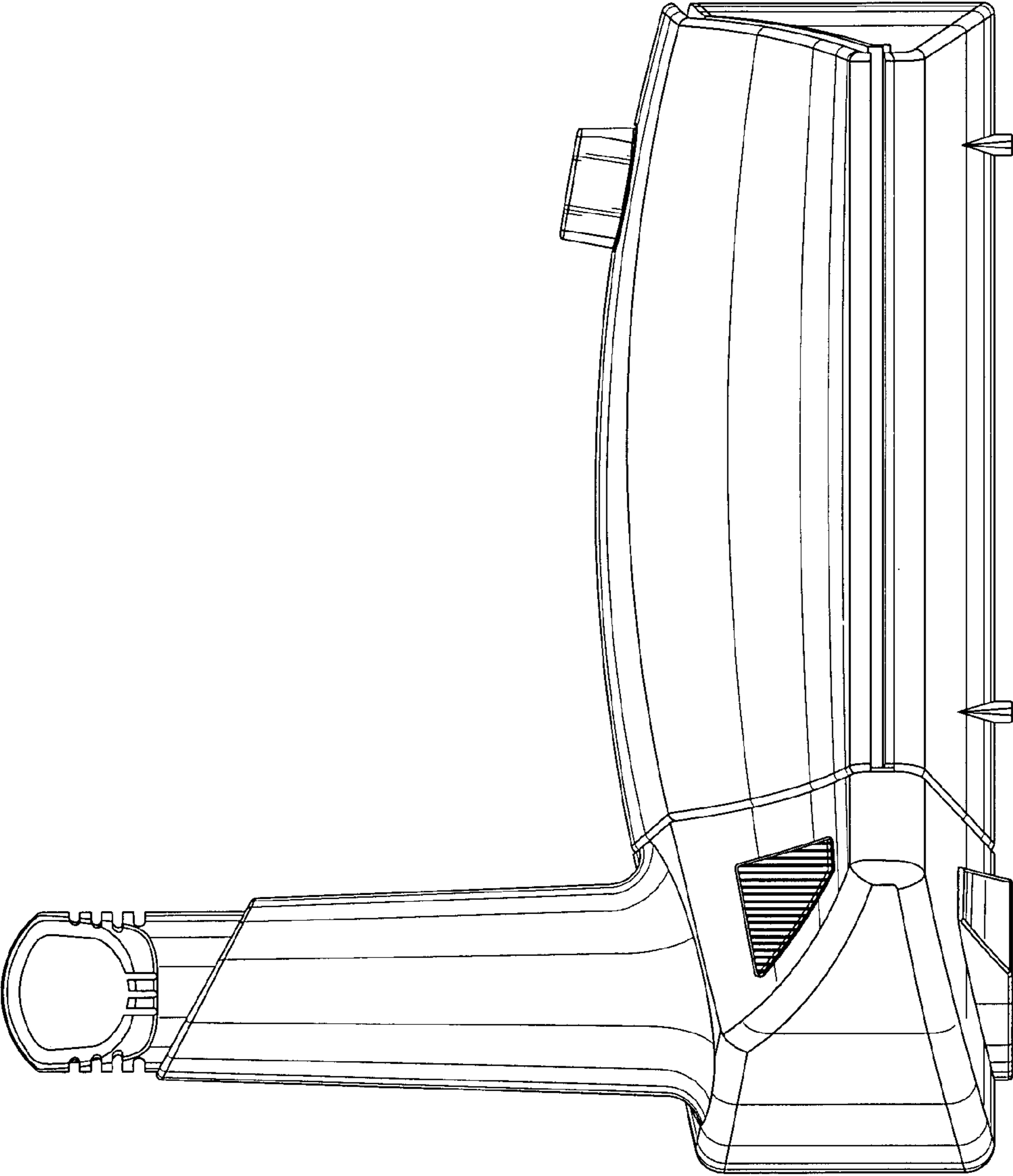


FIG. 5

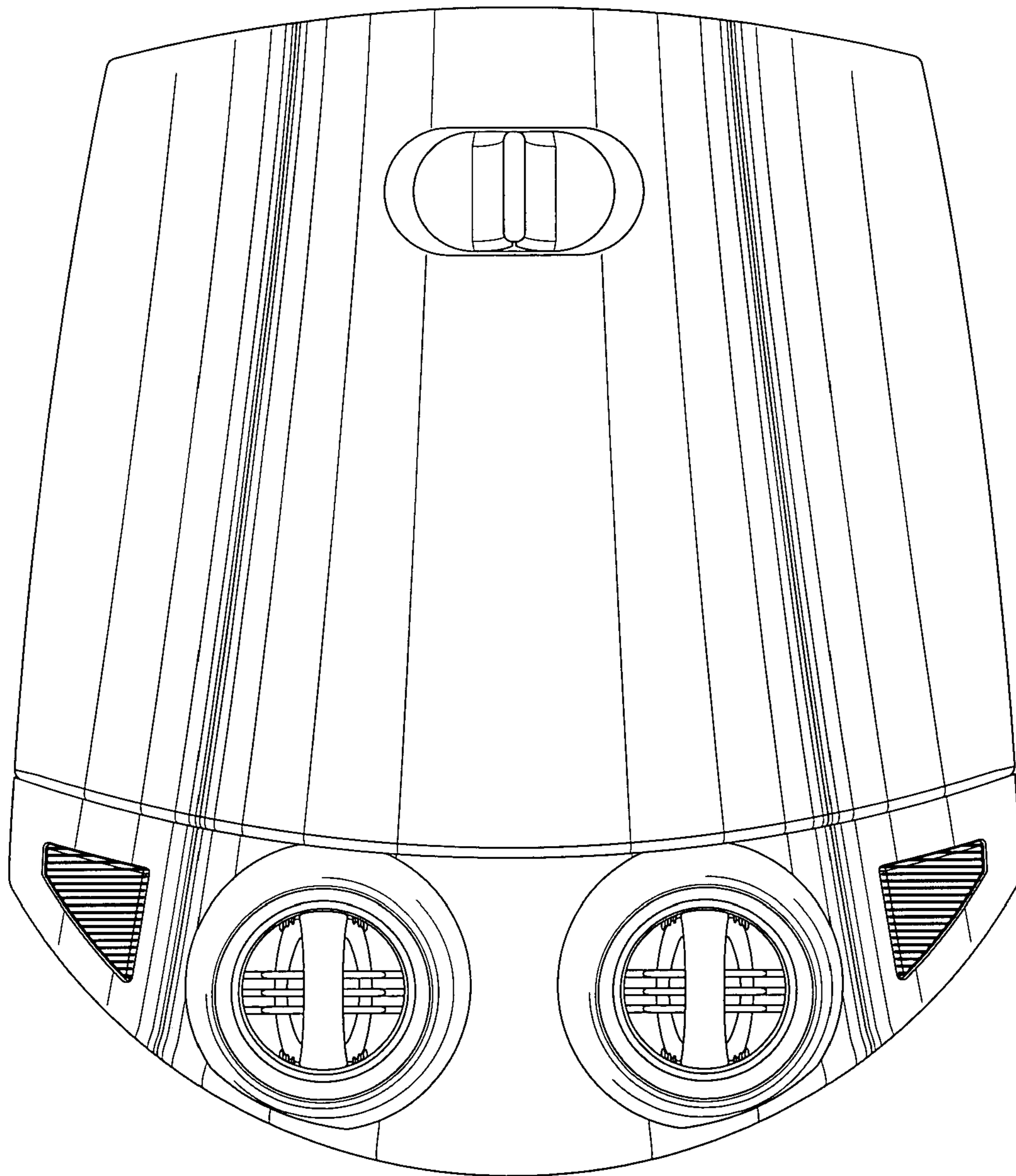


FIG. 6

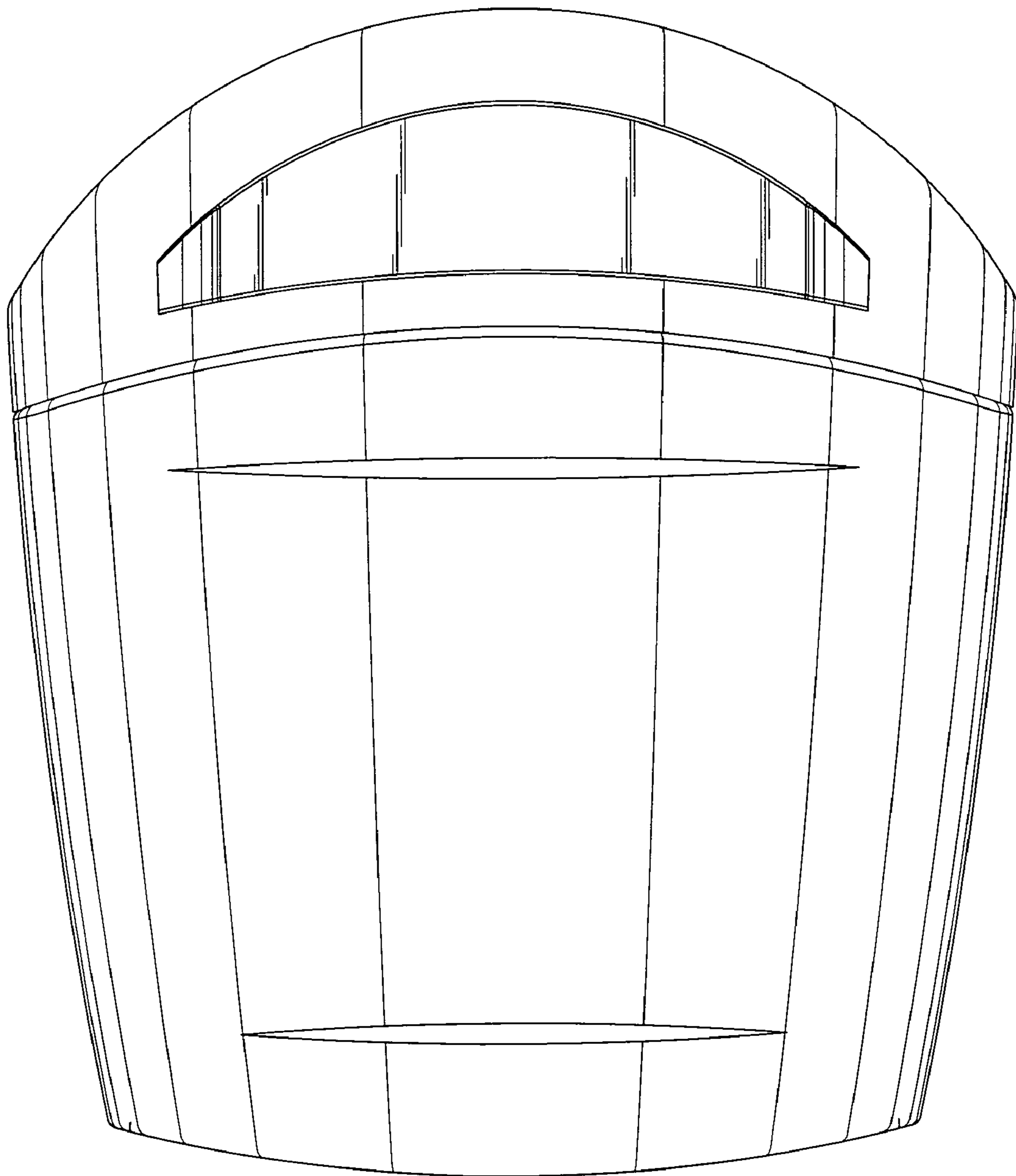


FIG. 7