



US00D565255S

(12) **United States Design Patent**
Lander

(10) **Patent No.:** **US D565,255 S**

(45) **Date of Patent:** **** Mar. 25, 2008**

(54) **HOOF BOOT BODY**

(76) **Inventor:** **Kirt Lander**, 4011 Gold Spring Rd.,
Lake Havasu City, AZ (US) 86406

(**) **Term:** **14 Years**

(21) **Appl. No.:** **29/249,679**

(22) **Filed:** **Oct. 17, 2006**

(51) **LOC (8) Cl.** **30-01**

(52) **U.S. Cl.** **D30/146; D30/147**

(58) **Field of Classification Search** D30/146-150;
119/850, 814; 54/82; 168/2, 1, 12, 18, 17,
168/27, 3, 26, 22, 14, 28; 36/111, 140
See application file for complete search history.

(56) **References Cited**

U.S. PATENT DOCUMENTS

122,972	A *	1/1872	Sloat	168/18
392,291	A *	11/1888	Schild et al.	168/2
492,481	A *	2/1893	Crannell	168/22
599,085	A *	2/1898	Winkelmann	168/22
609,551	A *	8/1898	Lang	168/1
619,361	A *	2/1899	Stephens	168/28
752,090	A *	2/1904	Miller	168/18
798,598	A *	9/1905	Conn	168/18
1,262,627	A *	4/1918	Borcherts	168/19
1,340,764	A *	5/1920	Grabowski	168/19
D97,393	S *	11/1935	Judsen	D29/121.1
2,470,195	A *	5/1949	Thompson	54/82
D154,085	S *	6/1949	Warren	D30/146
3,506,072	A *	4/1970	Buschbom et al.	168/13
3,703,209	A *	11/1972	Glass	168/18
3,967,683	A *	7/1976	Ensinozo	168/4
4,155,406	A *	5/1979	Hourlier	168/18

4,174,754	A *	11/1979	Glass	168/18
4,346,762	A *	8/1982	Tovim	168/4
4,470,466	A *	9/1984	Nakanishi	168/18
4,564,071	A *	1/1986	Lee	168/19
D285,499	S *	9/1986	Nakanishi	D30/149
4,744,422	A *	5/1988	Dallmer	168/18
5,588,288	A *	12/1996	Origgi et al.	54/82
5,661,958	A *	9/1997	Glass et al.	54/82
5,715,661	A *	2/1998	Meyers	54/82
6,192,989	B1 *	2/2001	Tooman	168/1
D440,363	S *	4/2001	Ford	D30/147
6,694,713	B1 *	2/2004	MacDonald	54/82
2004/0065063	A1 *	4/2004	Osha et al.	54/82

* cited by examiner

Primary Examiner—Melanie Tung

Assistant Examiner—Susan Moon Lee

(74) *Attorney, Agent, or Firm*—Hani Z. Sayed; Rutan & Tucker, LLP

(57) **CLAIM**

I claim the ornamental design for a hoof boot body, as shown and described.

DESCRIPTION

FIG. 1 is a front perspective view of the hoof boot body;

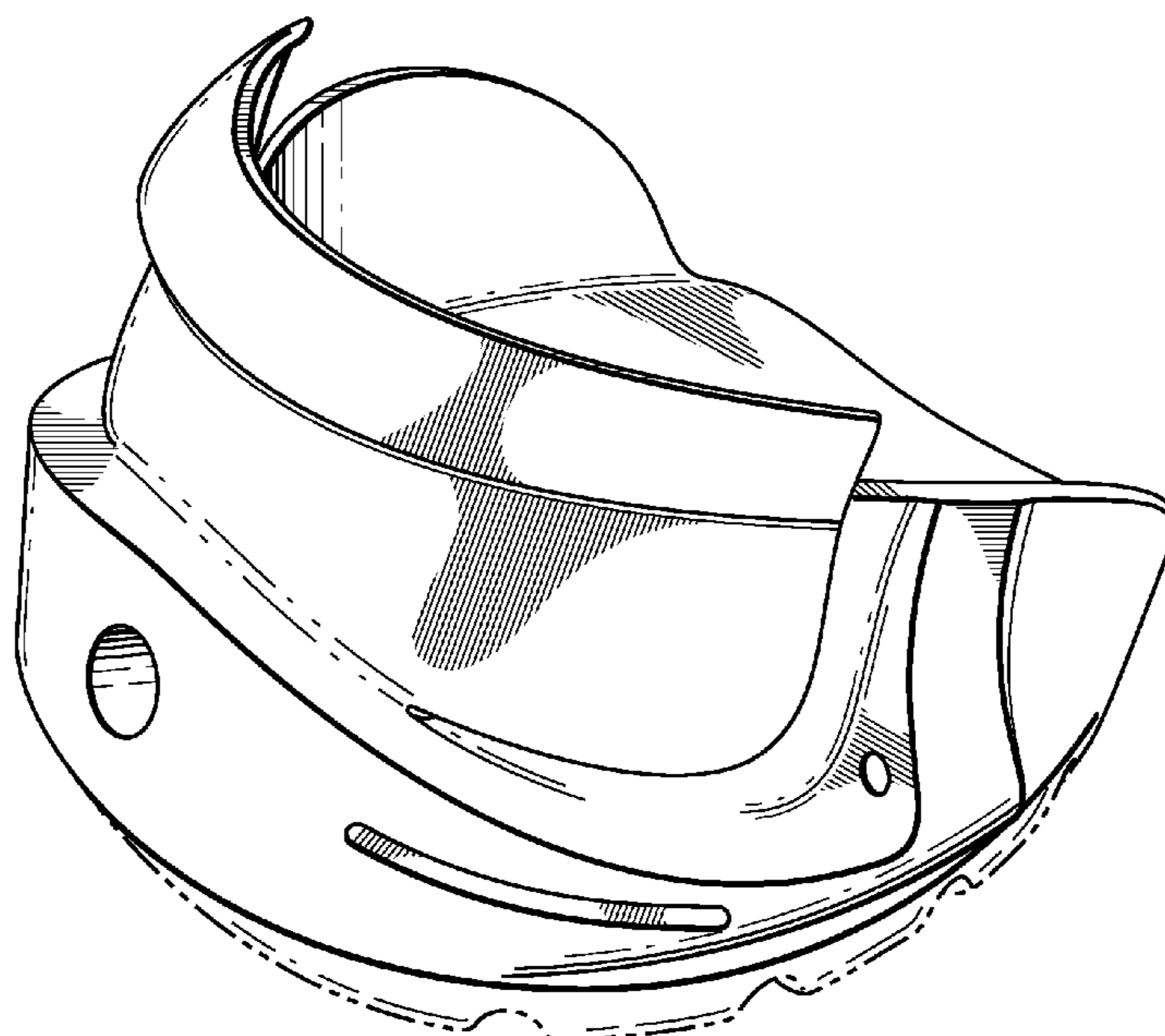
FIG. 2 is a rear view thereof;

FIG. 3 is a side view thereof, the opposite side view being a mirror image; and,

FIG. 4 is a top view thereof.

The portions shown in broken line are for illustrative purposes only and form no part of the claimed design.

1 Claim, 2 Drawing Sheets



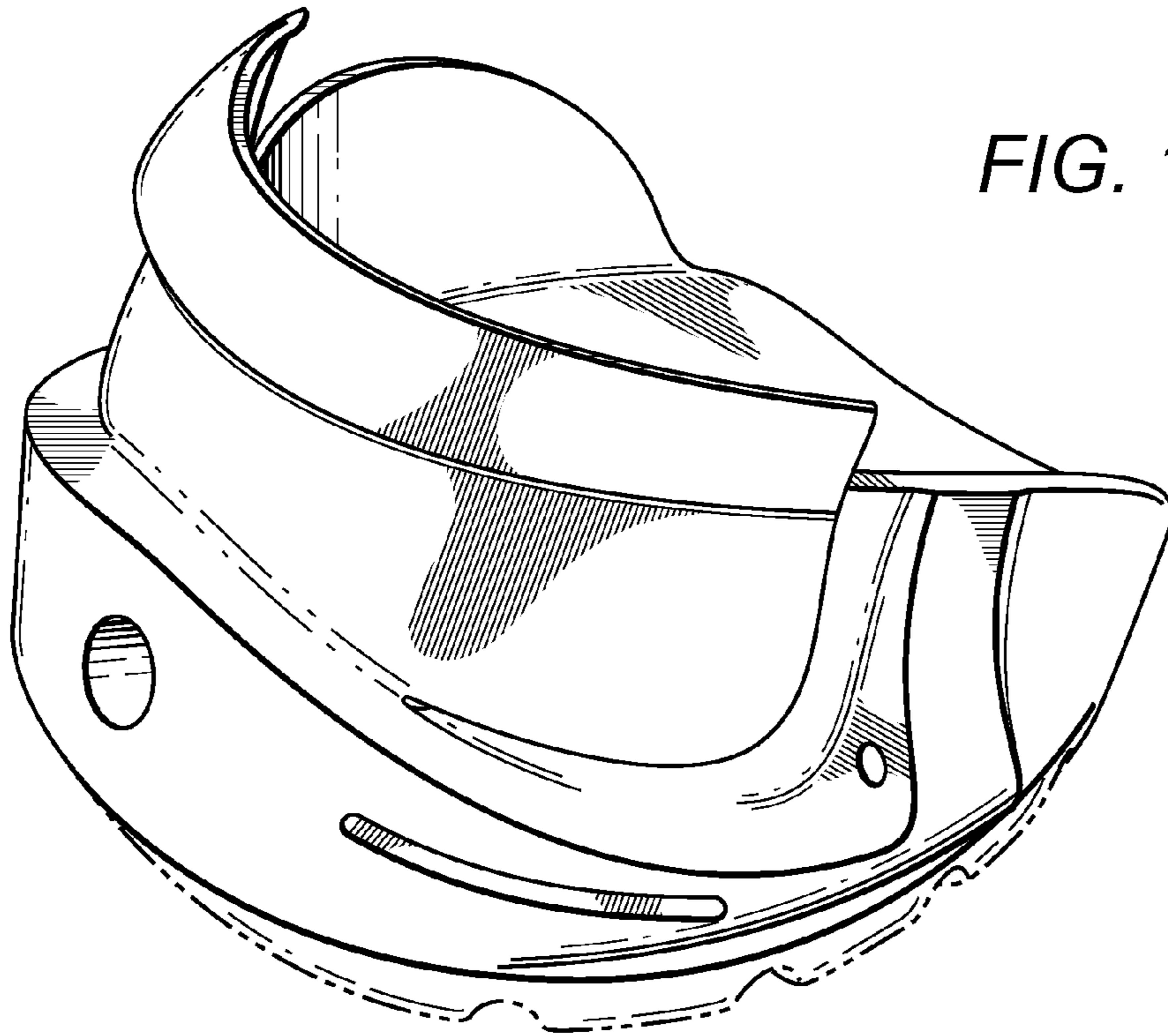


FIG. 1

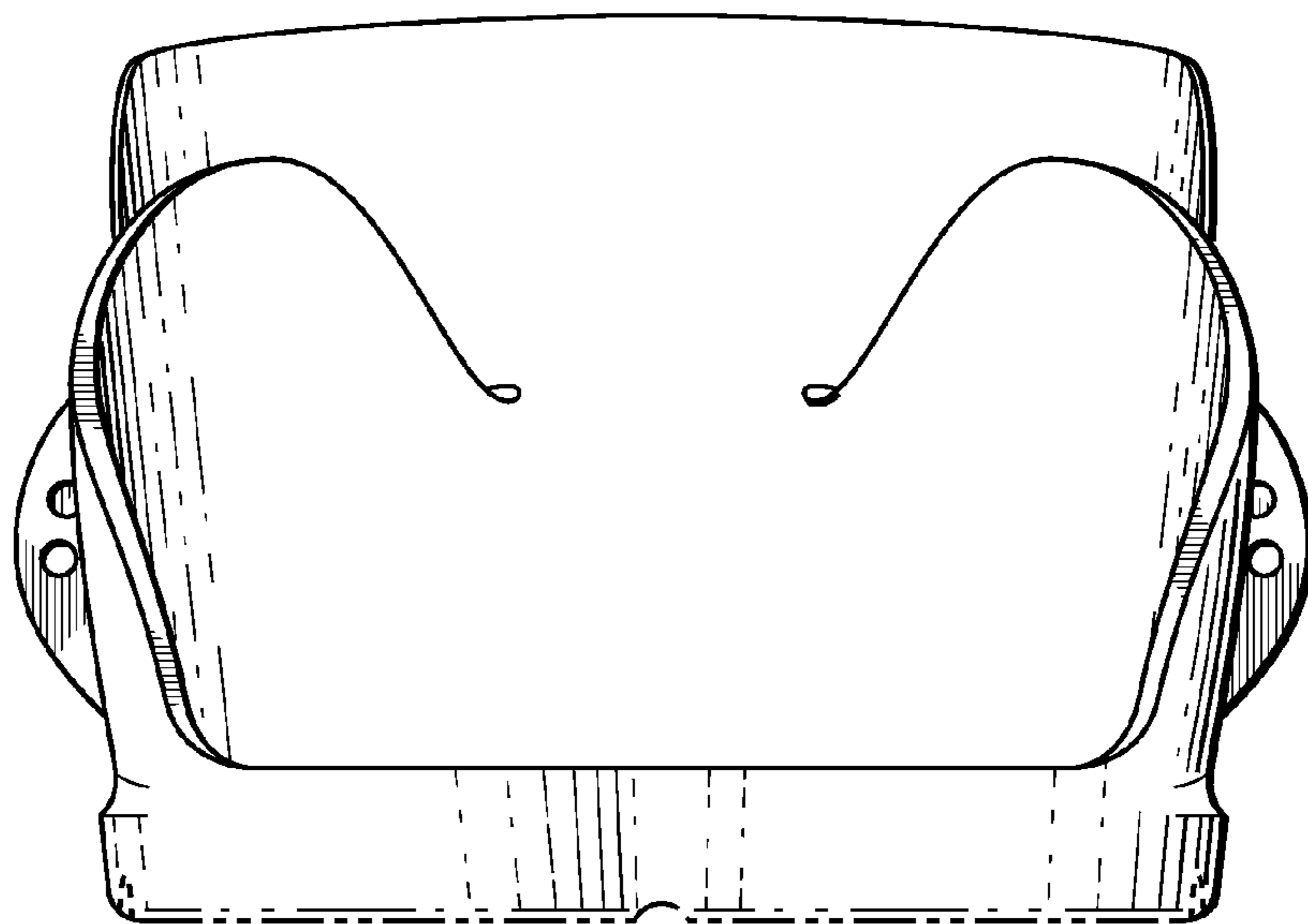


FIG. 2

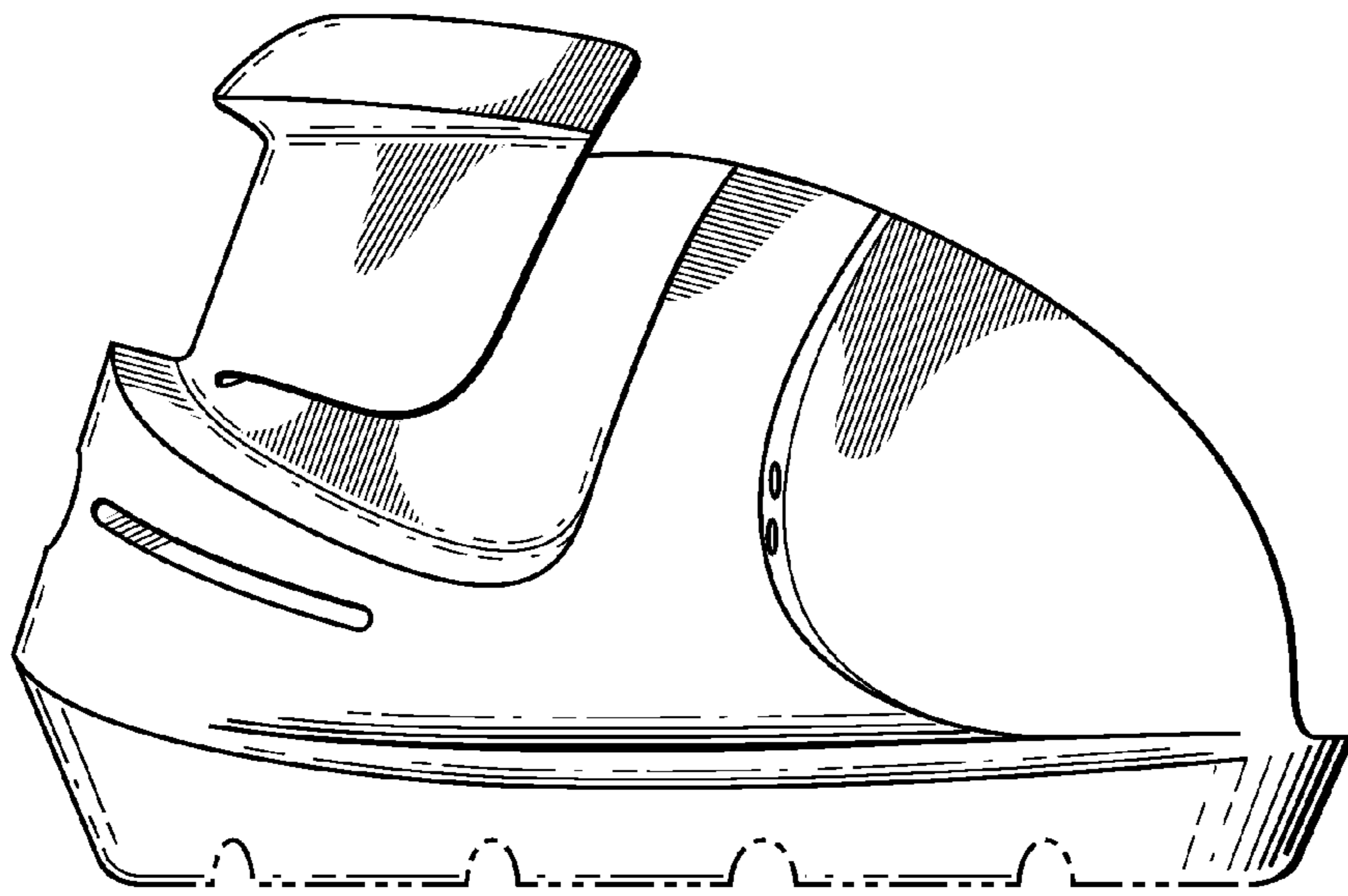


FIG. 3

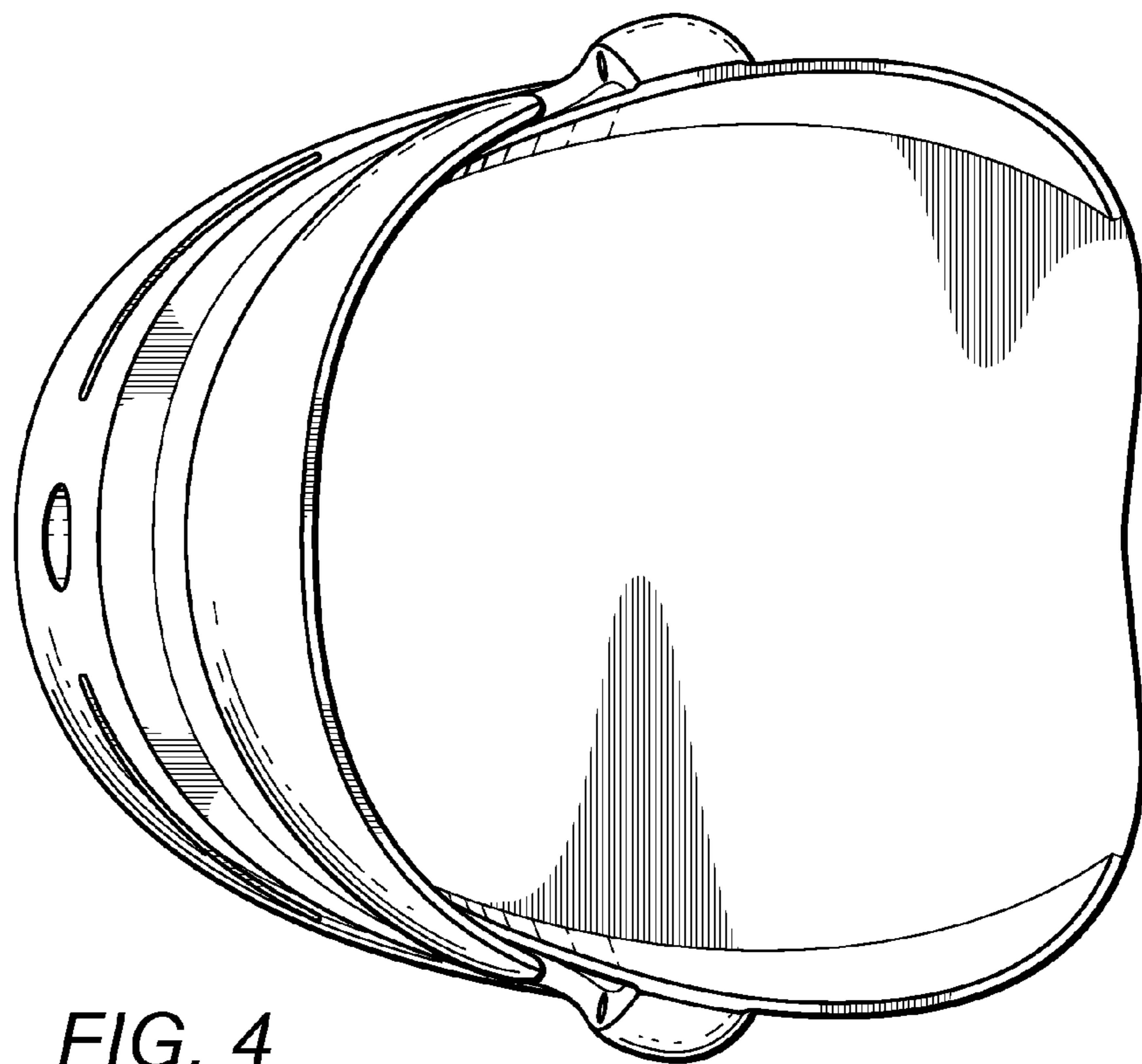


FIG. 4