

US00D565252S

(12) **United States Design Patent**  
**Fick**

(10) **Patent No.:** **US D565,252 S**  
(45) **Date of Patent:** **\*\* Mar. 25, 2008**

(54) **PET WATER OR FOOD STORAGE UNIT WITH STOWABLE BOWL**

(75) Inventor: **Orval Lee Fick**, Miami, OK (US)

(73) Assignee: **Bergan, LLC**, Miami, OK (US)

(\*\*) Term: **14 Years**

(21) Appl. No.: **29/281,723**

(22) Filed: **Jun. 29, 2007**

**Related U.S. Application Data**

(62) Division of application No. 29/243,713, filed on Nov. 30, 2005.

(51) **LOC (8) Cl.** ..... **30-07**

(52) **U.S. Cl.** ..... **D30/121; D30/132; D30/130**

(58) **Field of Classification Search** ..... D30/121, D30/122, 129-133; D3/272, 273, 294; D7/629, D7/612-615; D9/430-432, 440, 449; 119/52.1, 119/51.11, 51.12, 77; 220/780-815, 832, 220/836, 913

See application file for complete search history.

(56) **References Cited**

**U.S. PATENT DOCUMENTS**

- 2,533,305 A \* 12/1950 Wells ..... 222/528
- D199,505 S \* 11/1964 Swett et al. .... D7/629
- 3,417,897 A \* 12/1968 Johnson ..... 220/254.3
- 4,260,069 A \* 4/1981 Juergens ..... 220/812
- D276,400 S \* 11/1984 Daenen et al. .... D7/629
- D311,665 S \* 10/1990 Carlson ..... D7/629
- 5,086,926 A \* 2/1992 Paige et al. .... 206/542
- D351,969 S \* 11/1994 Daenen et al. .... D7/603
- D375,873 S \* 11/1996 Ahern et al. .... D7/602
- D383,671 S \* 9/1997 Phillips ..... D9/429
- 5,673,811 A \* 10/1997 Dickinson et al. .... 220/812
- D395,204 S \* 6/1998 Wood ..... D7/615
- D407,974 S \* 4/1999 Zimmer et al. .... D9/428
- D438,066 S \* 2/2001 Beach et al. .... D7/629
- D469,011 S \* 1/2003 Miller ..... D9/417
- D473,140 S \* 4/2003 Gilliam et al. .... D9/428
- D473,461 S \* 4/2003 Joubert ..... D9/423
- D473,788 S \* 4/2003 Chen et al. .... D9/428
- D485,135 S \* 1/2004 Ross ..... D7/629
- 6,772,904 B1 \* 8/2004 Gilliam et al. .... 220/836

6,889,866 B2 \* 5/2005 Gilliam et al. .... 220/675

\* cited by examiner

*Primary Examiner*—Melanie Tung

*Assistant Examiner*—Susan Moon Lee

(74) *Attorney, Agent, or Firm*—Hovey Williams LLP

(57) **CLAIM**

The ornamental design for a pet water or food storage unit with stowable bowl, as shown and described.

**DESCRIPTION**

FIG. 1 is a perspective view of a pet food storage unit with stowable bowl embodying my design, with the end-mounted latches and clips for securing the lid to the container sidewall, the striations along the container sidewall, the end-mounted stop on the dish sidewall, and the complementary scalloped edge section of the container sidewall being shown in broken lines for illustrative purposes only and forming no part of the claimed design;

FIG. 2 is an opposite perspective view of the unit depicted in FIG. 1, with the recessed end section of the dish sidewall and the end cutout section of the container sidewall being shown in broken lines for illustrative purposes only and forming no part of the claimed design;

FIG. 3 is an end elevation view of the unit depicted in FIGS. 1 and 2;

FIG. 4 is a side elevation view of the unit depicted in FIGS. 1-3;

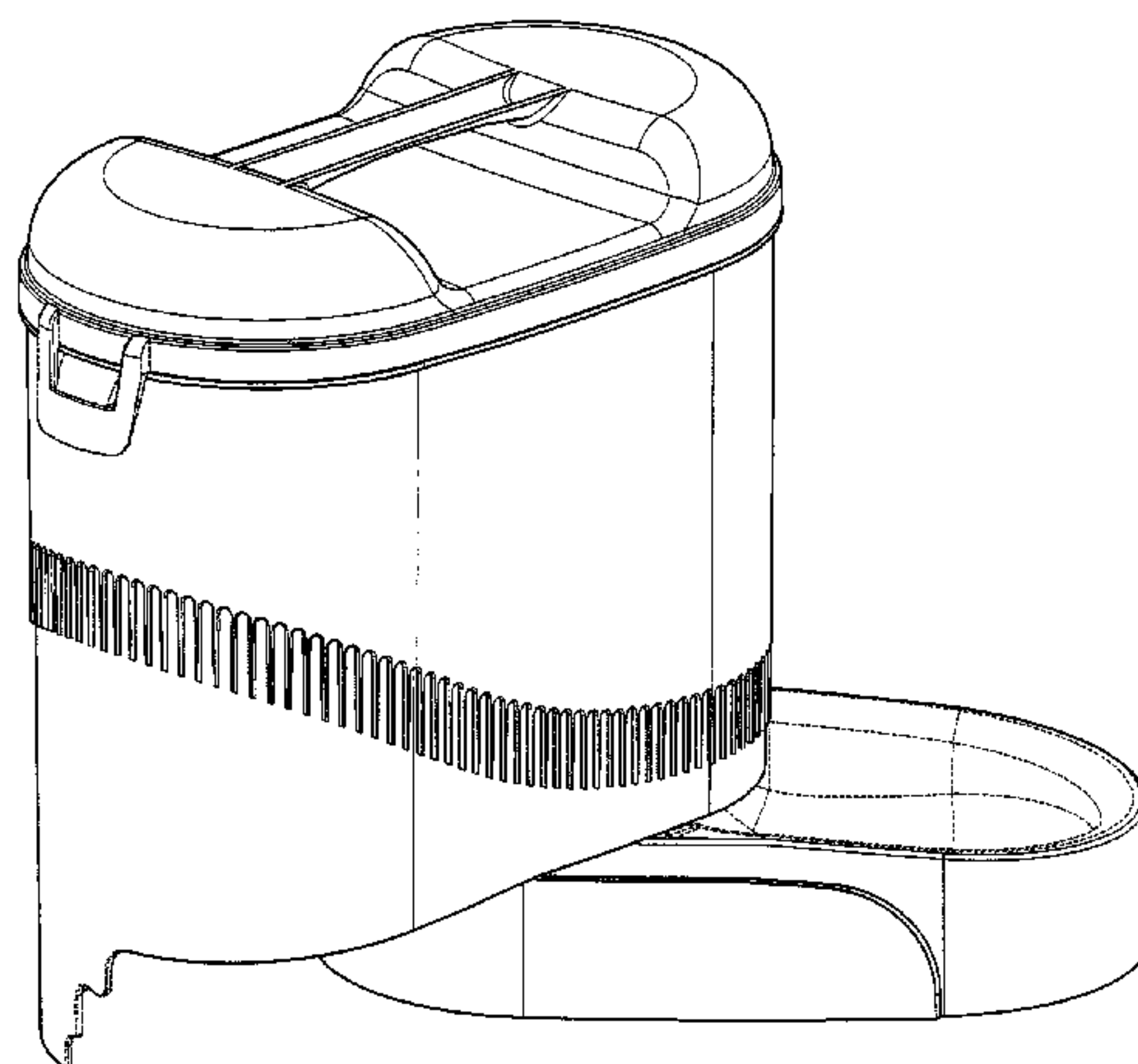
FIG. 5 is an end elevation view of the unit opposite that shown in FIG. 3;

FIG. 6 is a side elevation view of the unit opposite that shown in FIG. 4;

FIG. 7 is top plan view of the unit depicted in FIGS. 1-6; and,

FIG. 8 is a perspective view of the unit similar to FIG. 1, but depicting the bowl swung relative to the container to a pet-access position, with the internal bowl cavity formed by the dish and the stop formed along the upper margin of the dish sidewall being shown in broken lines for illustrative purposes only and forming no part of the claimed design.

**1 Claim, 4 Drawing Sheets**



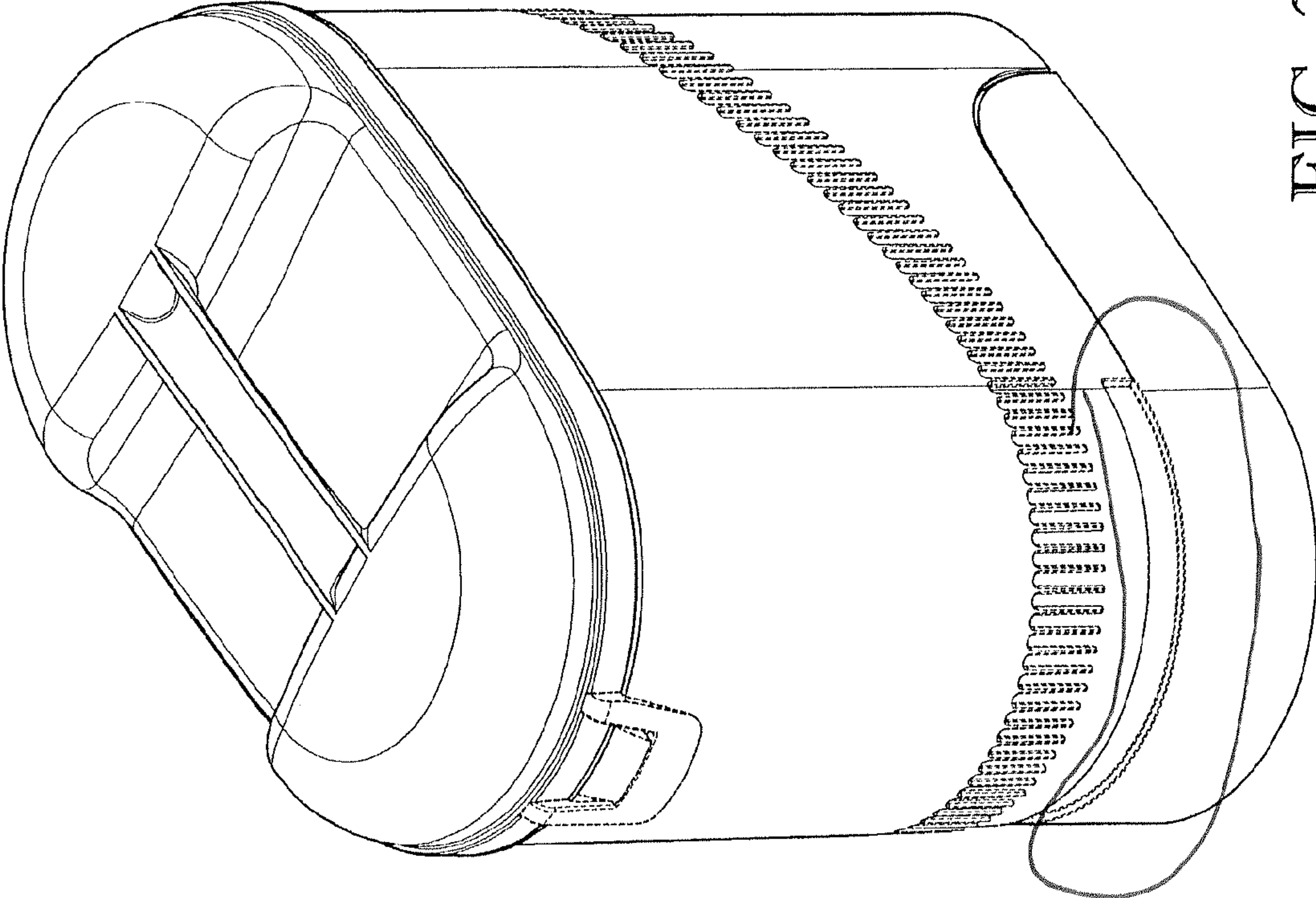


FIG. 1

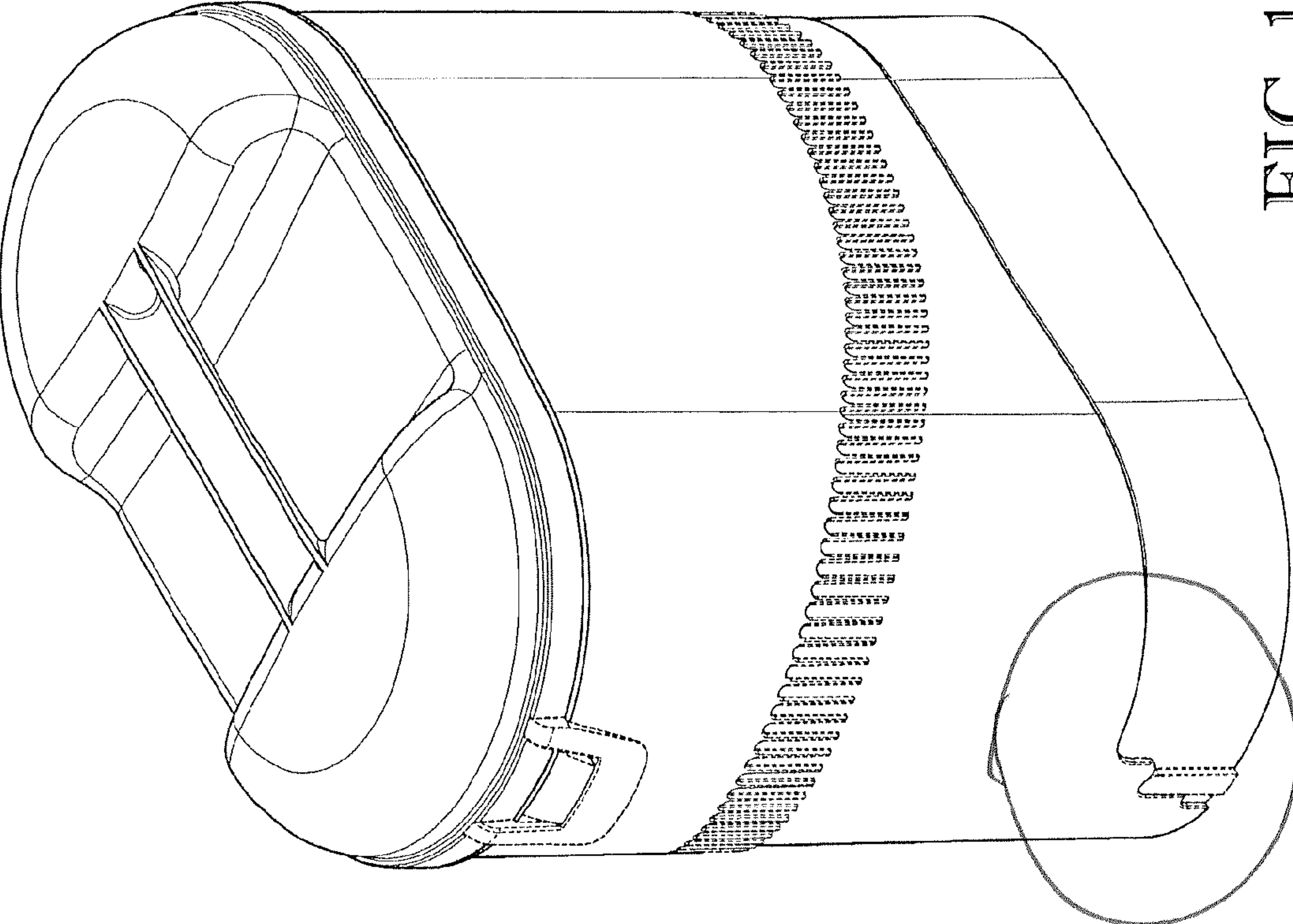


FIG. 2



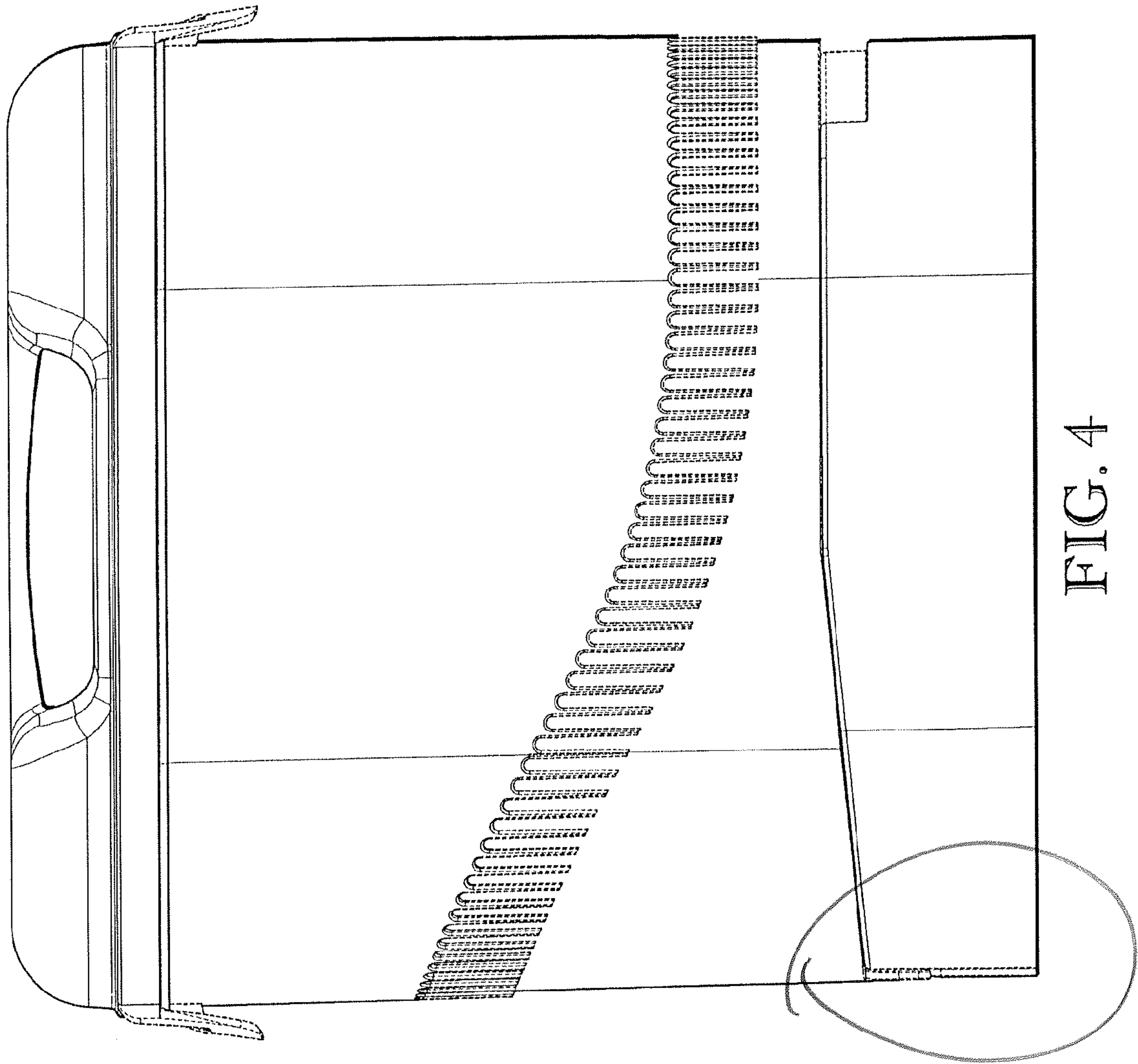


FIG. 4

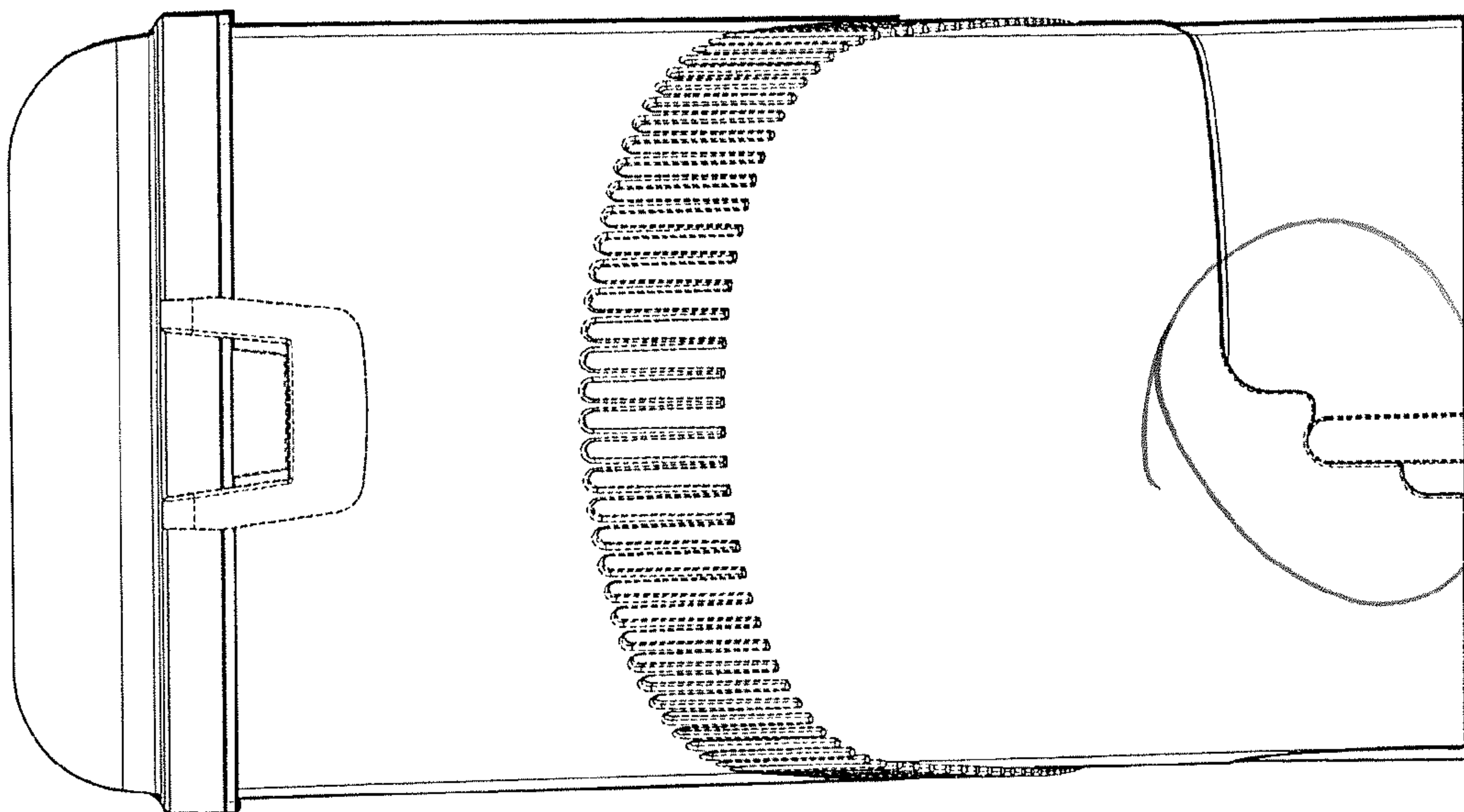


FIG. 3

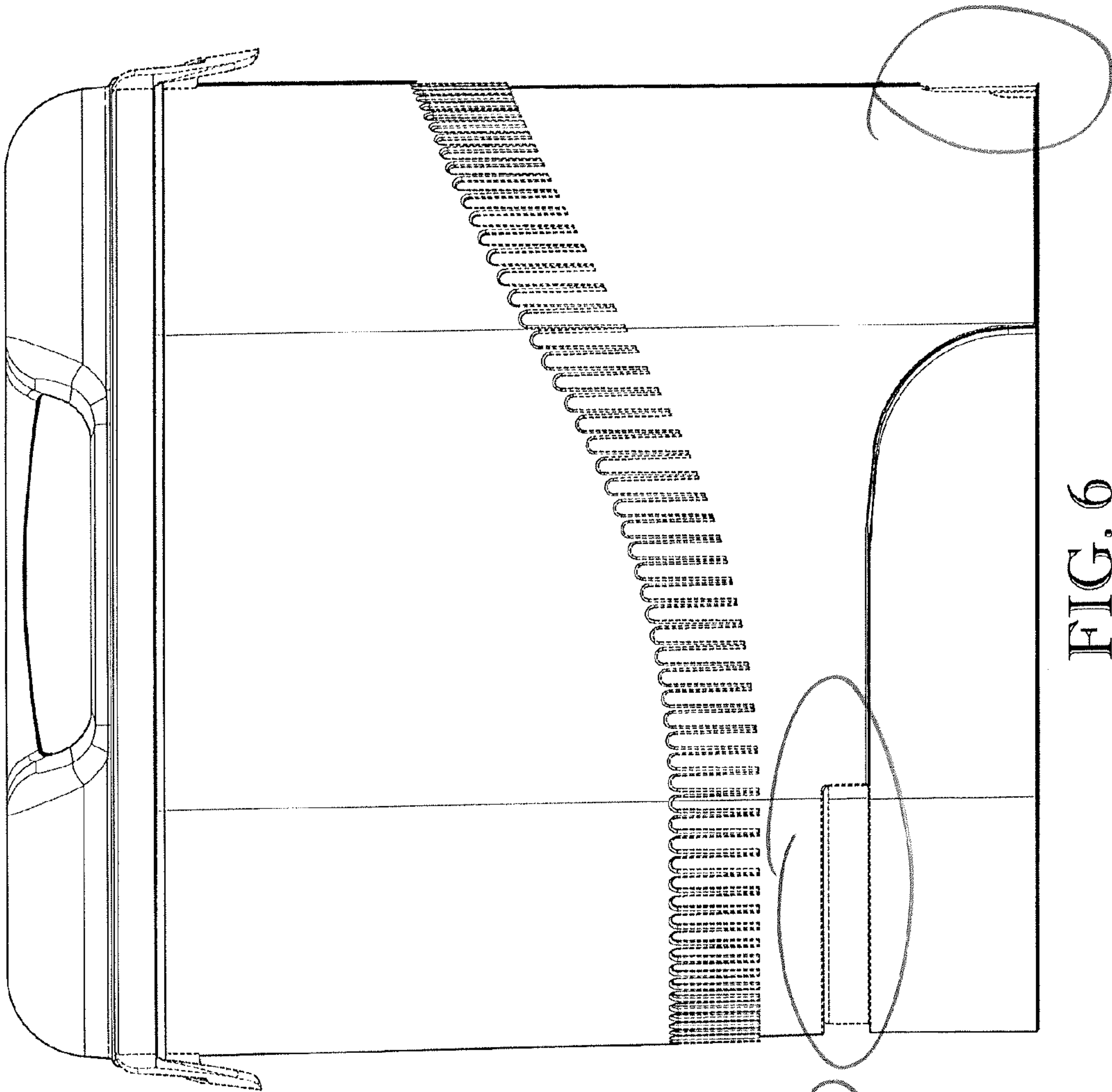


FIG. 6

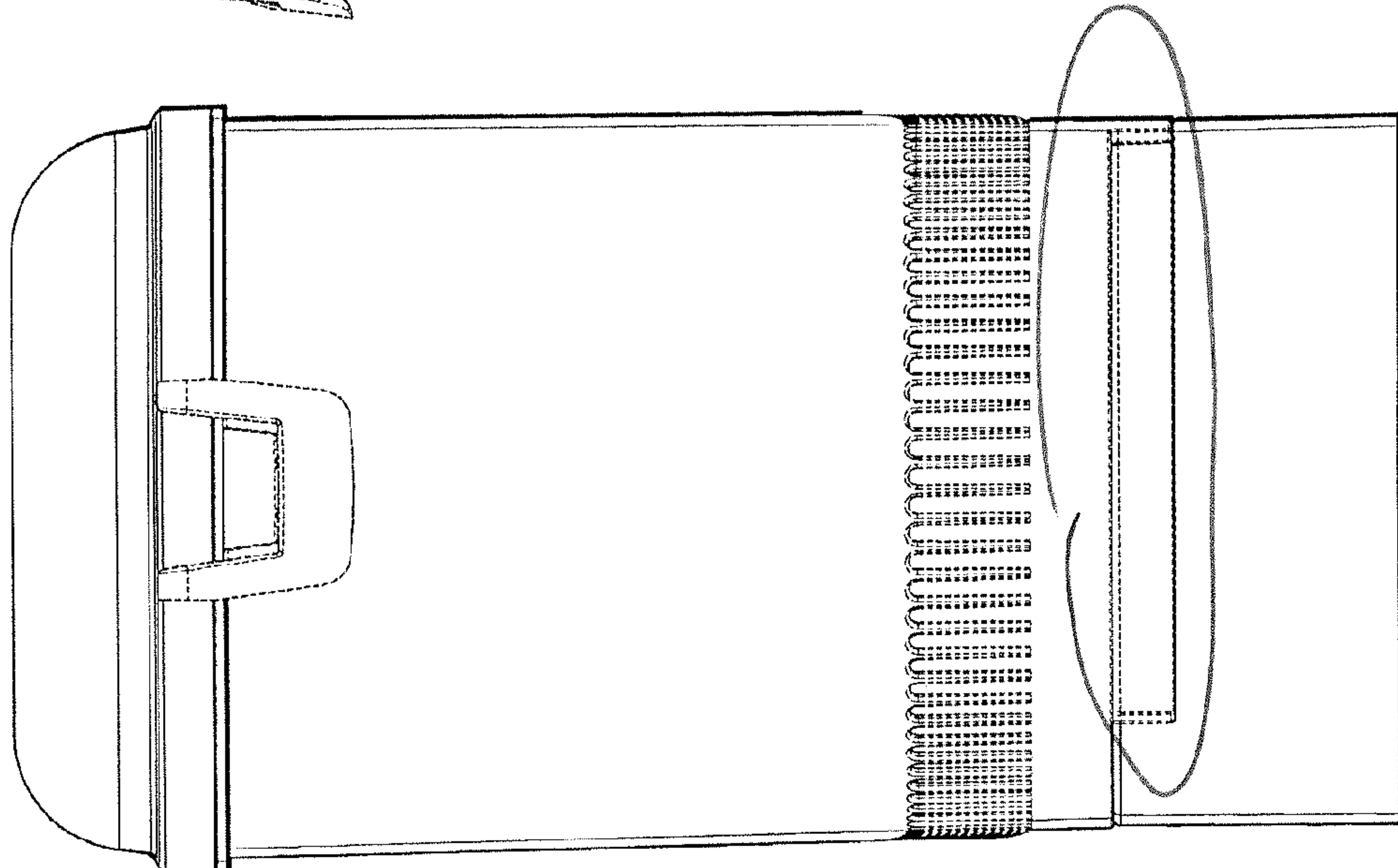


FIG. 5

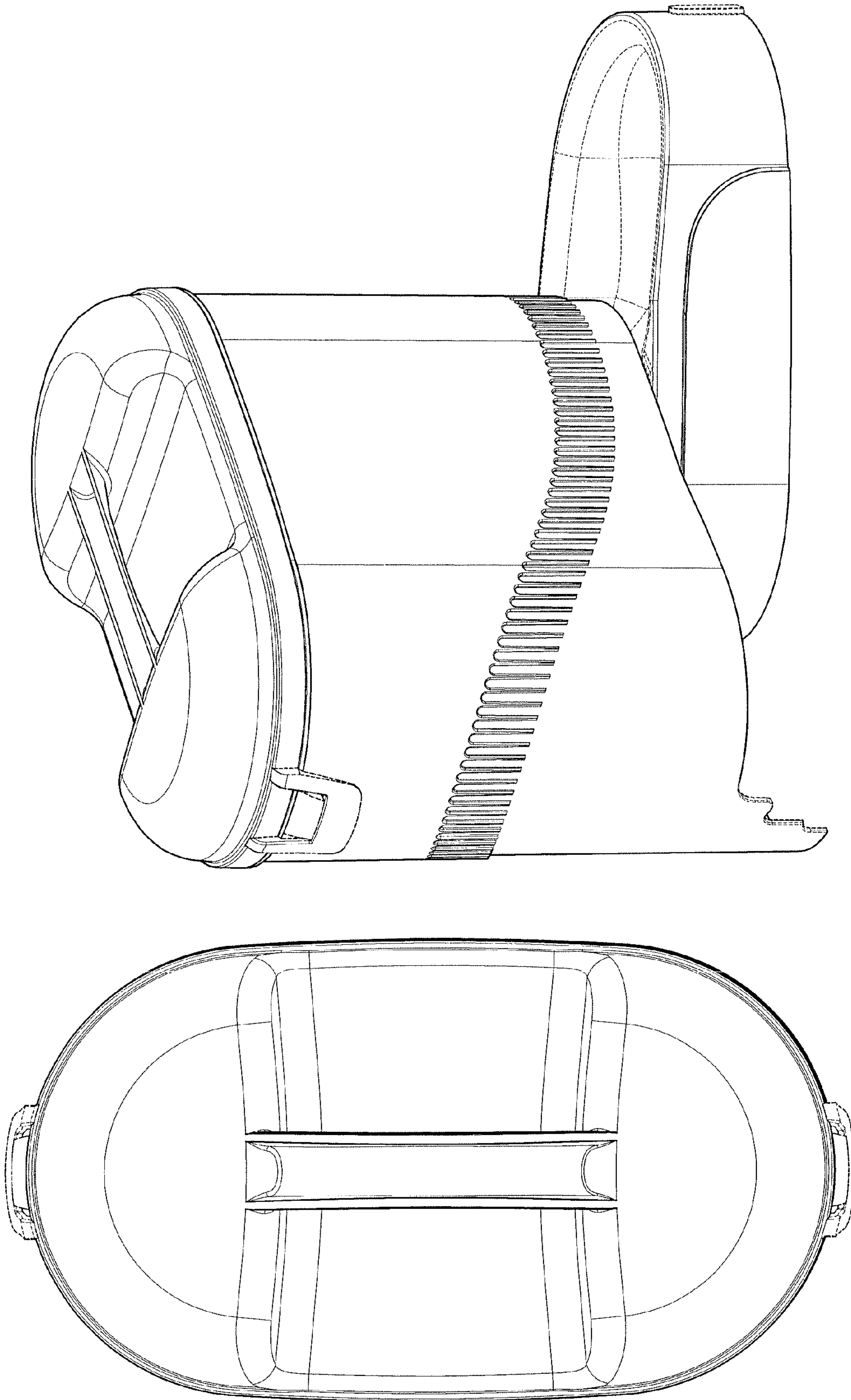


FIG. 8

FIG. 7