

US00D565251S

(12) **United States Design Patent**  
**McLean**

(10) **Patent No.:** **US D565,251 S**  
(45) **Date of Patent:** **\*\* Mar. 25, 2008**

(54) **FLEXIBLE ANIMAL PERCH**

(76) Inventor: **Stephen J. McLean**, 4012 Milano La.,  
Longmont, CO (US) 80503

(\*\*) Term: **14 Years**

(21) Appl. No.: **29/248,164**

(22) Filed: **Jul. 31, 2006**

(51) **LOC (8) Cl.** ..... **30-02**

(52) **U.S. Cl.** ..... **D30/119**

(58) **Field of Classification Search** ..... D30/119,  
D30/160; D6/535; D8/368; 119/52.2, 57.8,  
119/468, 531, 537, 702, 706-711; 482/35  
See application file for complete search history.

(56) **References Cited**

**U.S. PATENT DOCUMENTS**

276,392	A *	4/1883	Gregory	119/468
727,454	A *	5/1903	Royce	D30/119
1,331,908	A *	2/1920	Frey	D30/119
1,616,579	A *	2/1927	Kadowaki	119/531
D174,366	S *	3/1955	Ziskind	D8/368
2,717,577	A *	9/1955	Petsche	119/537
2,720,188	A *	10/1955	Hofrichter	119/537
2,796,043	A *	6/1957	Albert	119/468
4,953,503	A *	9/1990	Lundquist	119/57.8
D311,933	S *	11/1990	Adams	D20/43
5,228,411	A *	7/1993	O'Rourke	119/468
5,265,557	A *	11/1993	Lovitz	119/468
D353,693	S *	12/1994	Lawson	D30/119
5,487,360	A *	1/1996	Yau	119/468
D371,226	S *	6/1996	Lee	D30/119
D386,834	S *	11/1997	Nissim et al.	D30/119
6,131,865	A *	10/2000	Adams	D8/368
6,578,525	B2 *	6/2003	Engelking et al.	119/468
2006/0094568	A1 *	5/2006	Underbrink et al.	482/35
2006/0162671	A1 *	7/2006	Neuer	119/537
2007/0051319	A1 *	3/2007	Axelrod	119/57.8

\* cited by examiner

*Primary Examiner*—Cathy Anne MacCormac

(74) *Attorney, Agent, or Firm*—Margaret Polson; Patent  
Law Offices Rick Martin, P.C.

(57) **CLAIM**

The ornamental design for a flexible animal perch, as shown  
and described.

**DESCRIPTION**

FIG. 1 is a front elevation view of a flexible animal perch  
showing my new design;

FIG. 2 is a rear elevation view thereof;

FIG. 3 is a left side elevation view thereof, the left side being  
identical;

FIG. 4 is a top plan view thereof, the bottom plan view being  
identical;

FIG. 5 is a front elevation view of my flexible animal perch  
in an arched position, the rear elevation view being identical;

FIG. 6 is a top plan view of FIG. 5;

FIG. 7 is a bottom plan view of FIG. 5;

FIG. 8 is a right side elevation view of FIG. 5, the left side  
elevation view being identical;

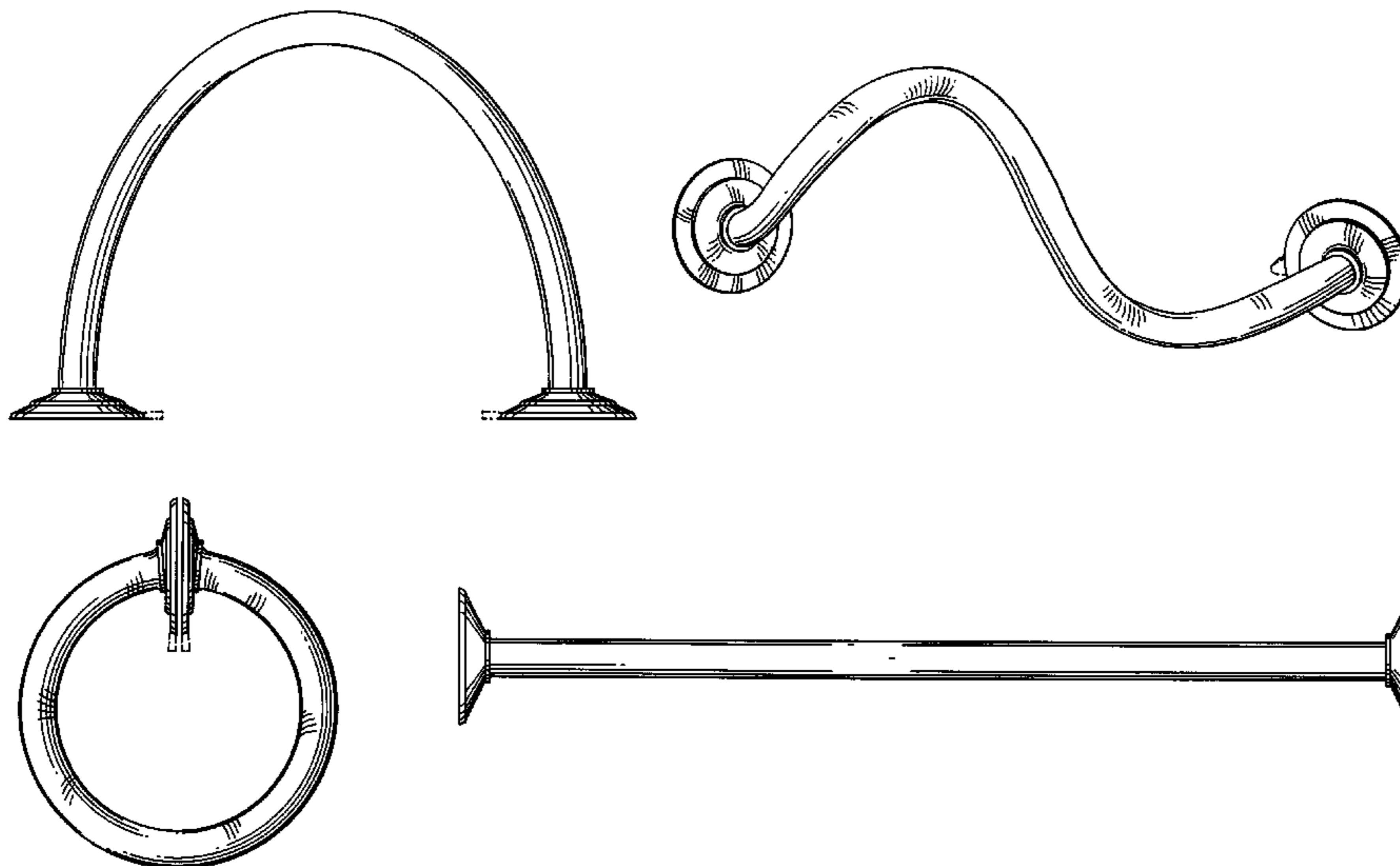
FIG. 9 is a side perspective view of my flexible animal perch  
in a curved configuration;

FIG. 10 is a side perspective view of my flexible animal  
perch in a circular configuration; and,

FIG. 11 is a right side elevation view, of a second embodi-  
ment of FIG. 1 that differs from FIG. 1 only in the suction  
cup, the left side being identical.

The broken lines on FIGS. 1, 3, 4, 5, 7, 10 and 11 indicate  
release tabs and are for illustrative purposes only and form  
no part of the claimed design.

**1 Claim, 3 Drawing Sheets**



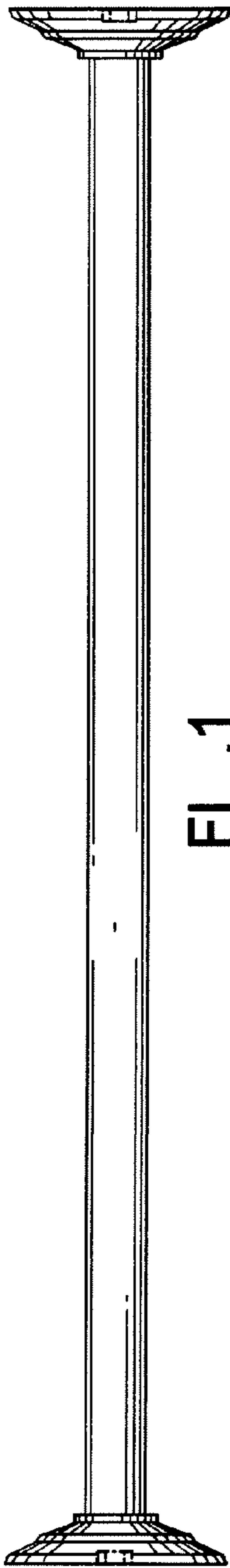


FIG. 1

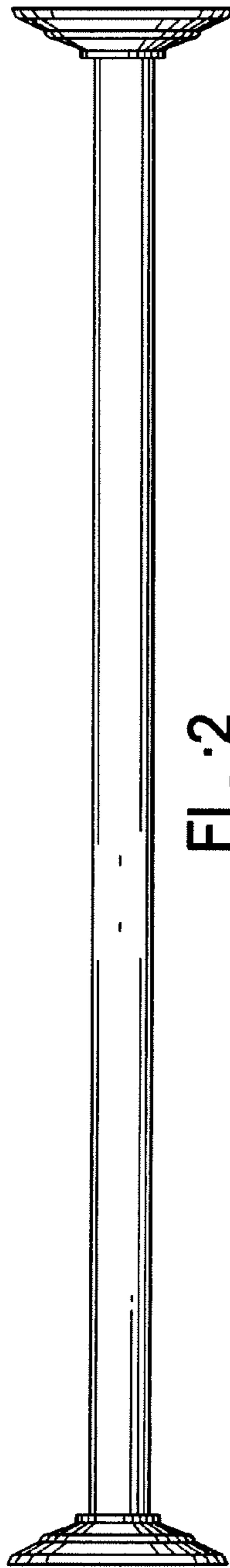


FIG. 2

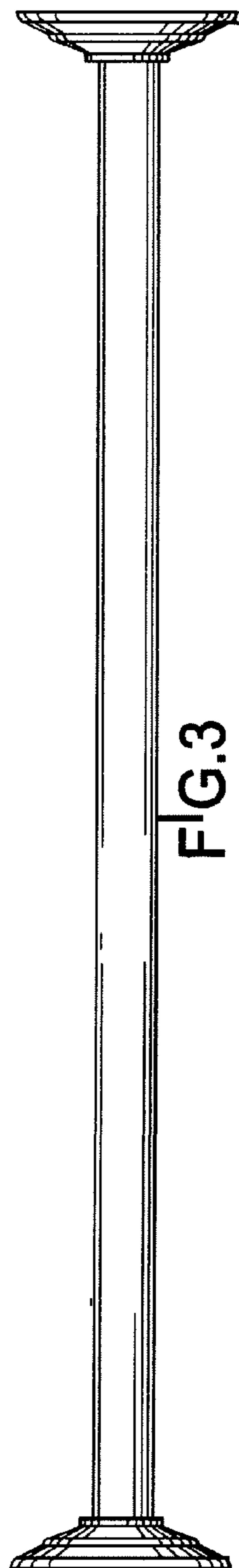


FIG. 3

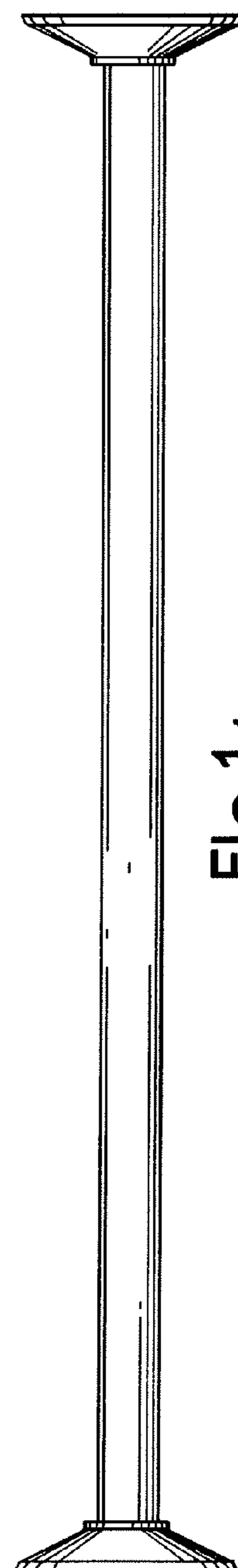
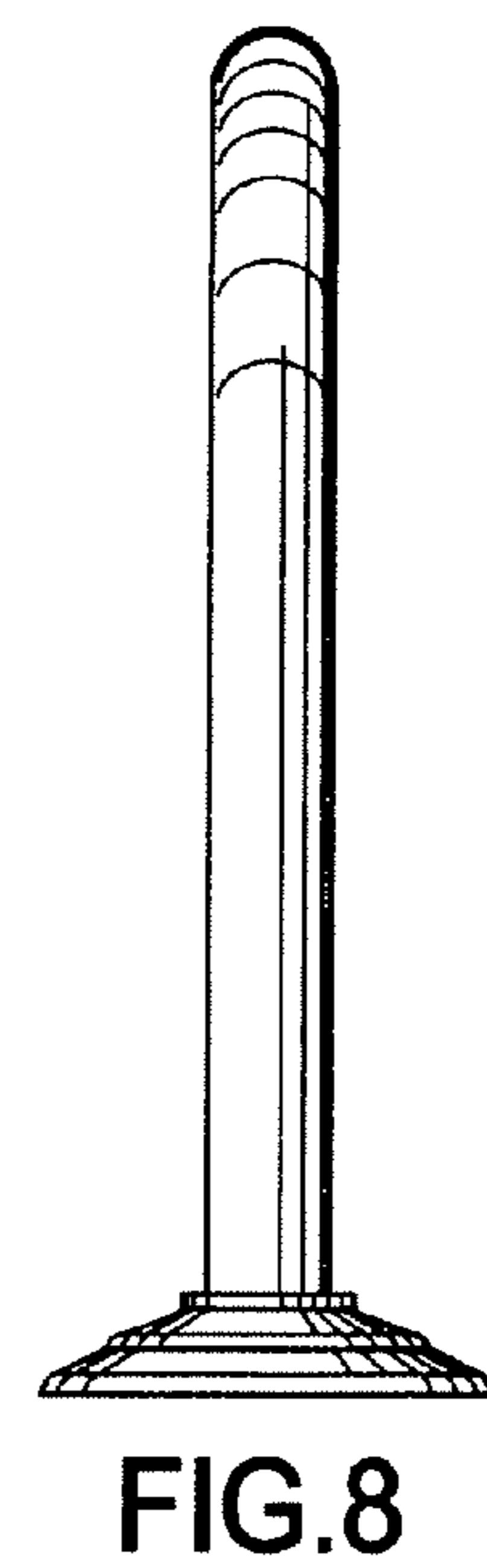
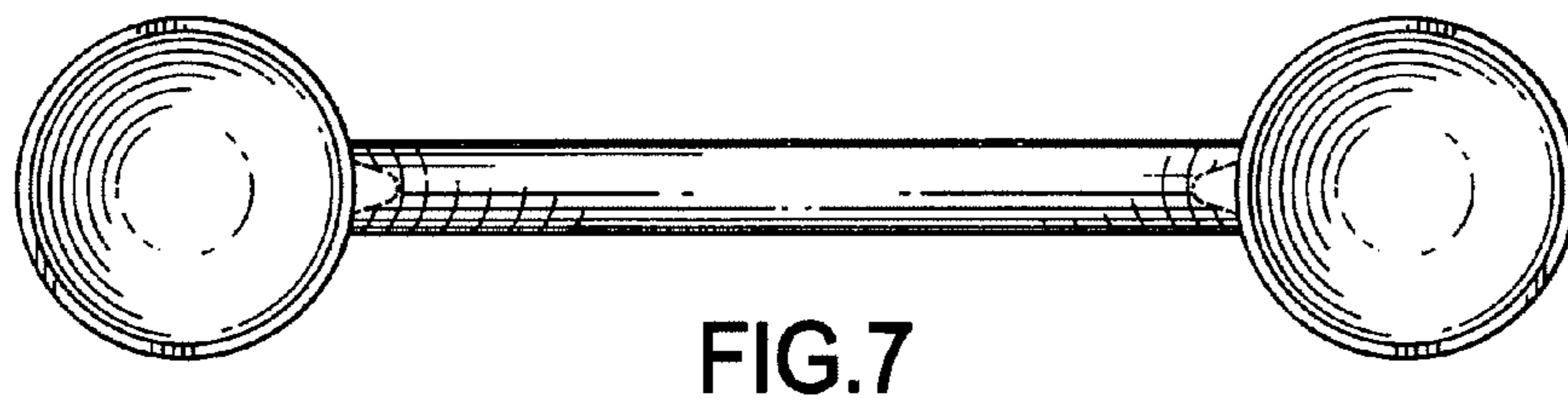
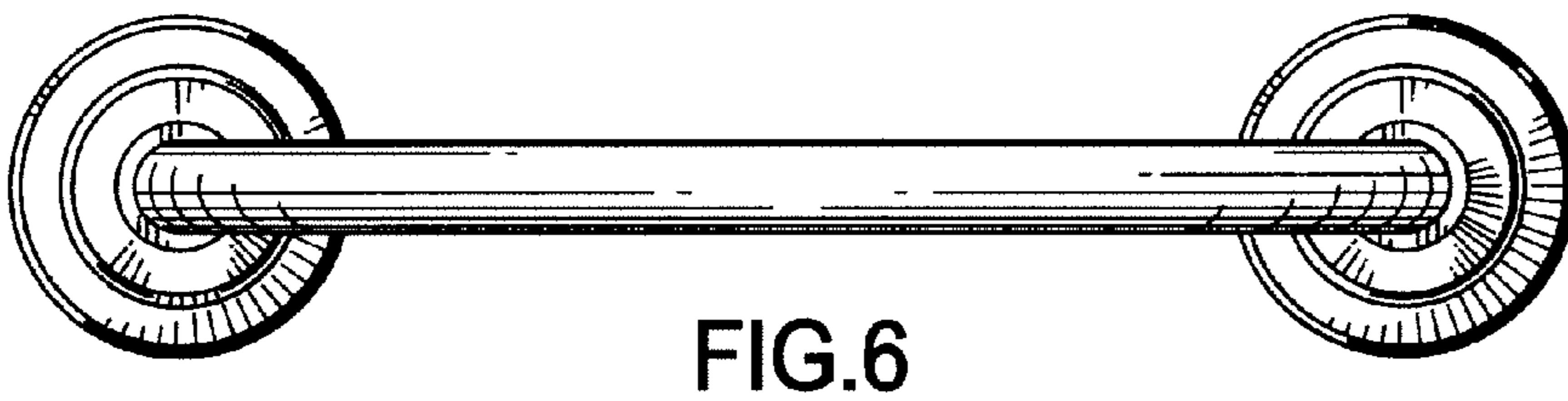
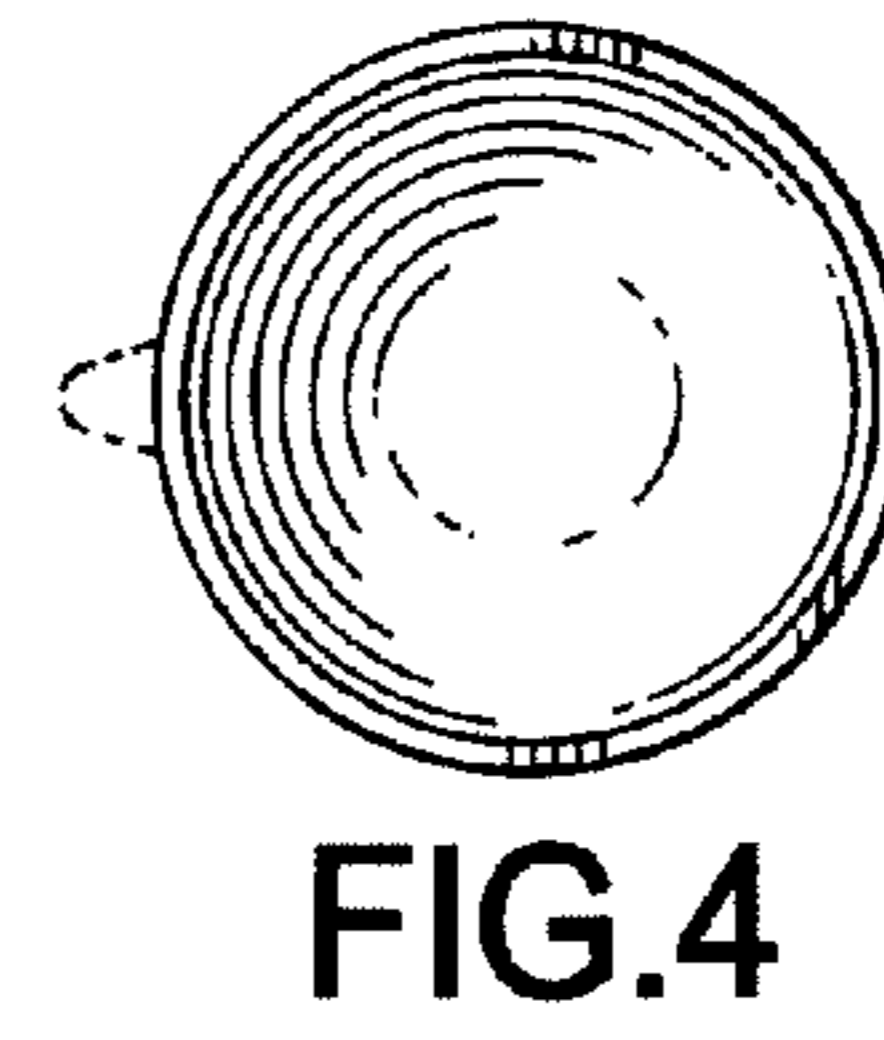
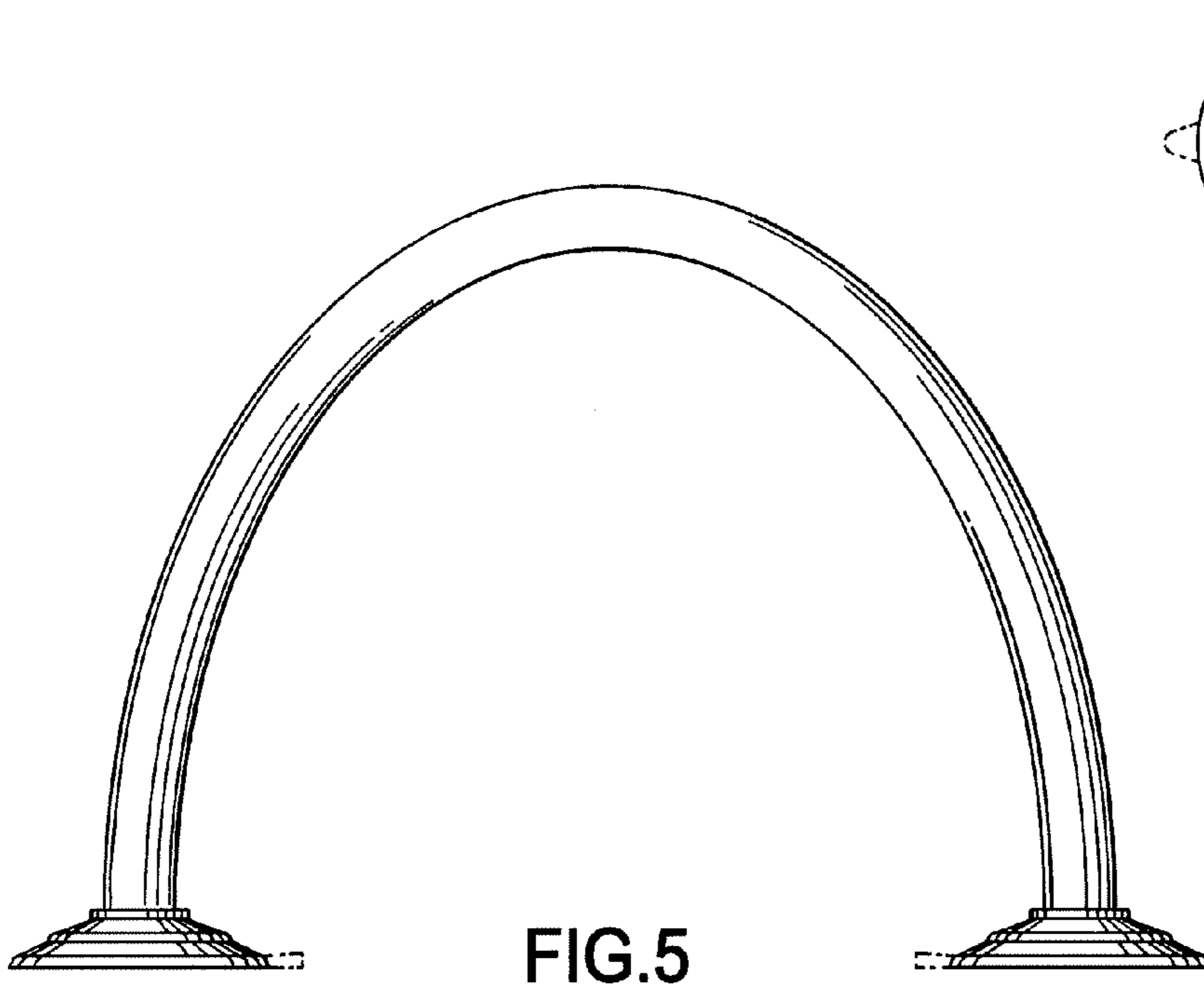


FIG. 11



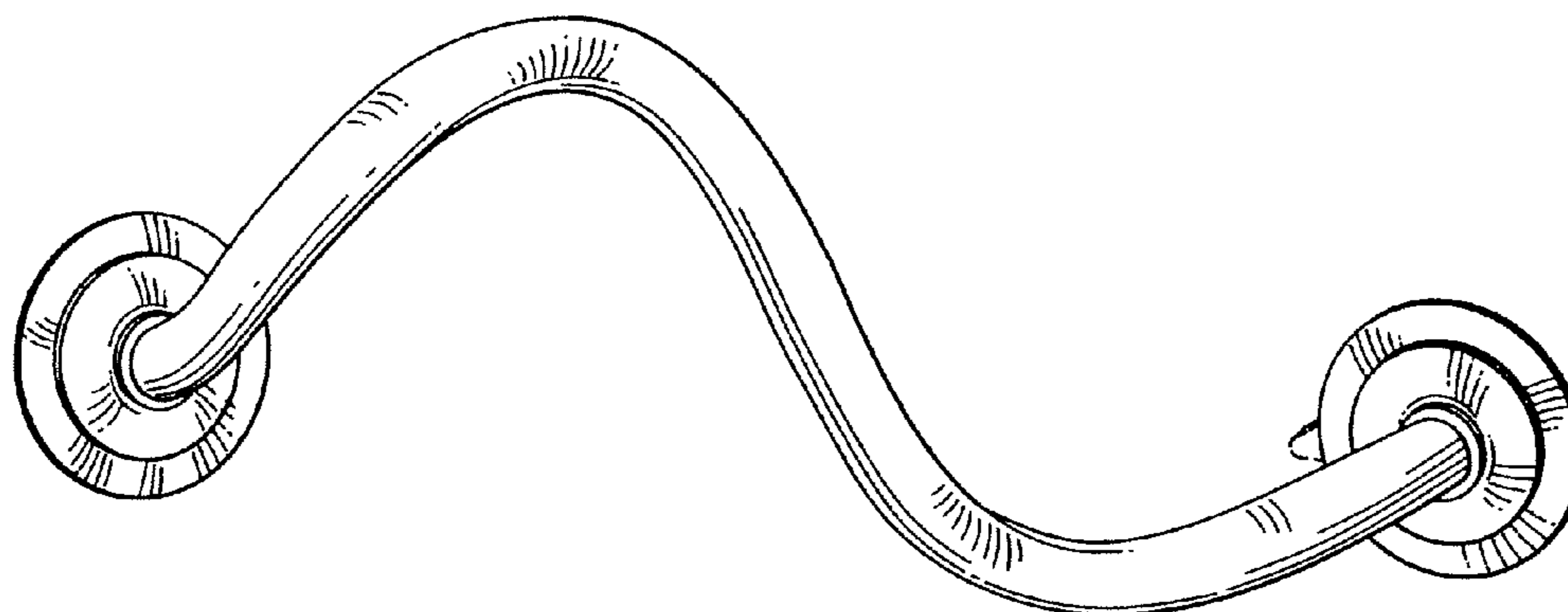


FIG. 9

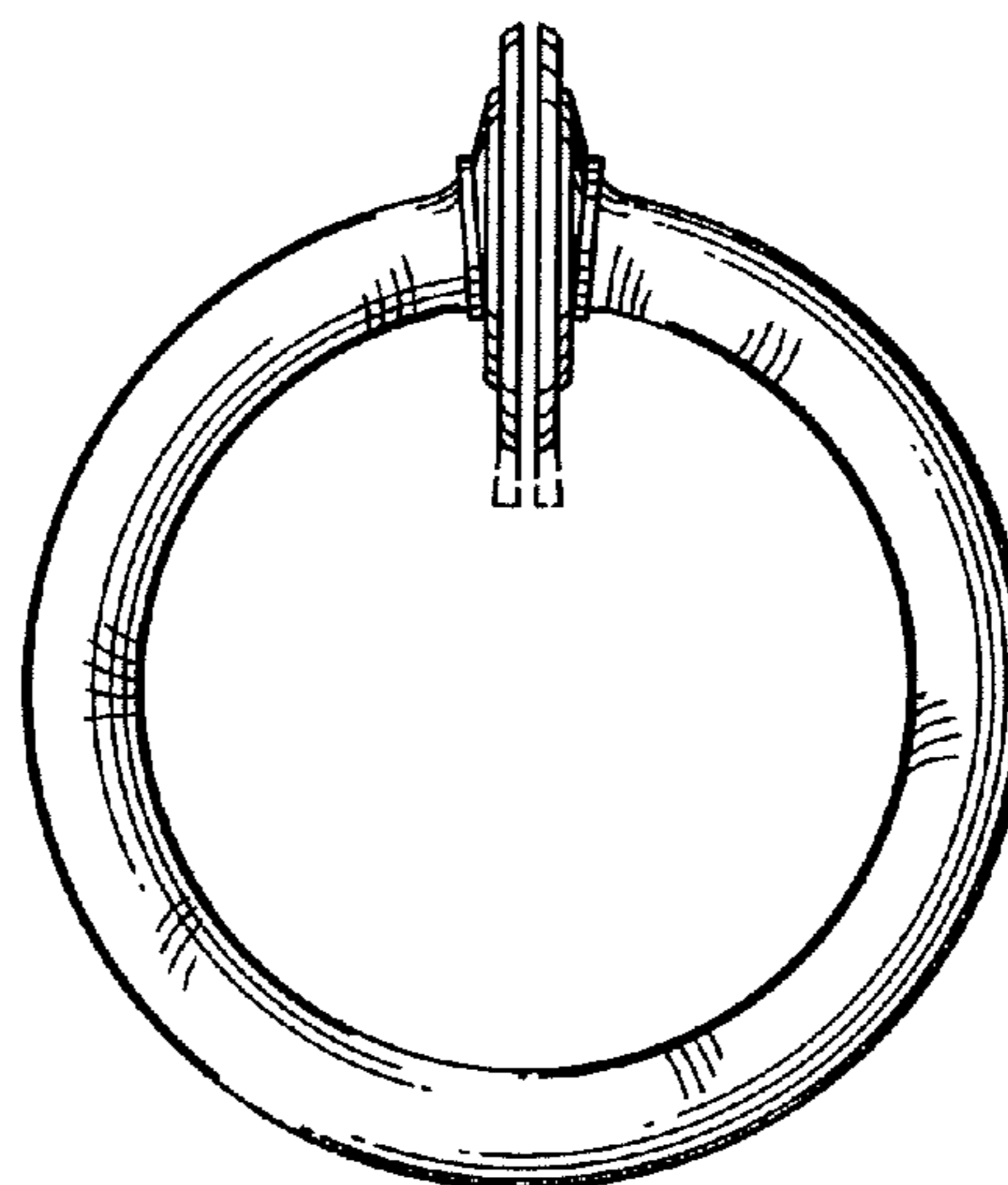


FIG. 10