

US00D565241S

(12) **United States Design Patent**
Horenziak et al.

(10) **Patent No.:** **US D565,241 S**
(45) **Date of Patent:** **** Mar. 25, 2008**

(54) **CONTAINER FOR A CANDLE**

(75) Inventors: **Steven Anthony Horenziak**, Cincinnati, OH (US); **Matthew Davis Bantly**, Cincinnati, OH (US); **Demetrius Michael Romanos**, Cincinnati, OH (US); **Tony Christopher Siebel**, Cincinnati, OH (US)

(73) Assignee: **Procter and Gamble Company**, Cincinnati, OH (US)

(**) Term: **14 Years**

(21) Appl. No.: **29/288,012**

(22) Filed: **May 25, 2007**

Related U.S. Application Data

(62) Division of application No. 29/266,593, filed on Sep. 25, 2006, now Pat. No. Des. 547,470.

(51) **LOC (8) Cl.** **26-99**

(52) **U.S. Cl.** **D26/142**

(58) **Field of Classification Search** D26/131, D26/135, 143, 67, 123, 124, 129, 122, 128, D26/153, 155, 37, 118, 119, 142, 137, 138, D26/113, 63, 24, 65, 5, 6, 9, 12, 22, 23, 72, D26/120; 362/431, 612, 555, 565, 572, 147, 362/162, 161, 172, 186, 189, 649, 653, 311, 362/351, 353, 800, 804

See application file for complete search history.

(56) **References Cited**

U.S. PATENT DOCUMENTS

4,185,953 A * 1/1980 Schirneker 431/291

D313,479 S * 1/1991 Goldberg D26/16
D409,316 S * 5/1999 Majerowski D26/6
D487,818 S * 3/2004 Pu D26/118
6,802,707 B2 * 10/2004 Furner et al. 431/292
D520,143 S * 5/2006 Yoneda D24/209
D527,472 S * 8/2006 Barraclough et al. D26/9

* cited by examiner

Primary Examiner—Freda S. Nunn

Assistant Examiner—Kevin K. Rudzinski

(74) *Attorney, Agent, or Firm*—Julia A. Glazer; Kim William Zerby; Steven W. Miller

(57) **CLAIM**

The ornamental design for a container for a candle, as shown and described.

DESCRIPTION

FIG. 1 is a perspective view of a container for a candle.

FIG. 2 is a front elevation view thereof.

FIG. 3 is a rear elevation view thereof.

FIG. 4 is a left side elevation view thereof.

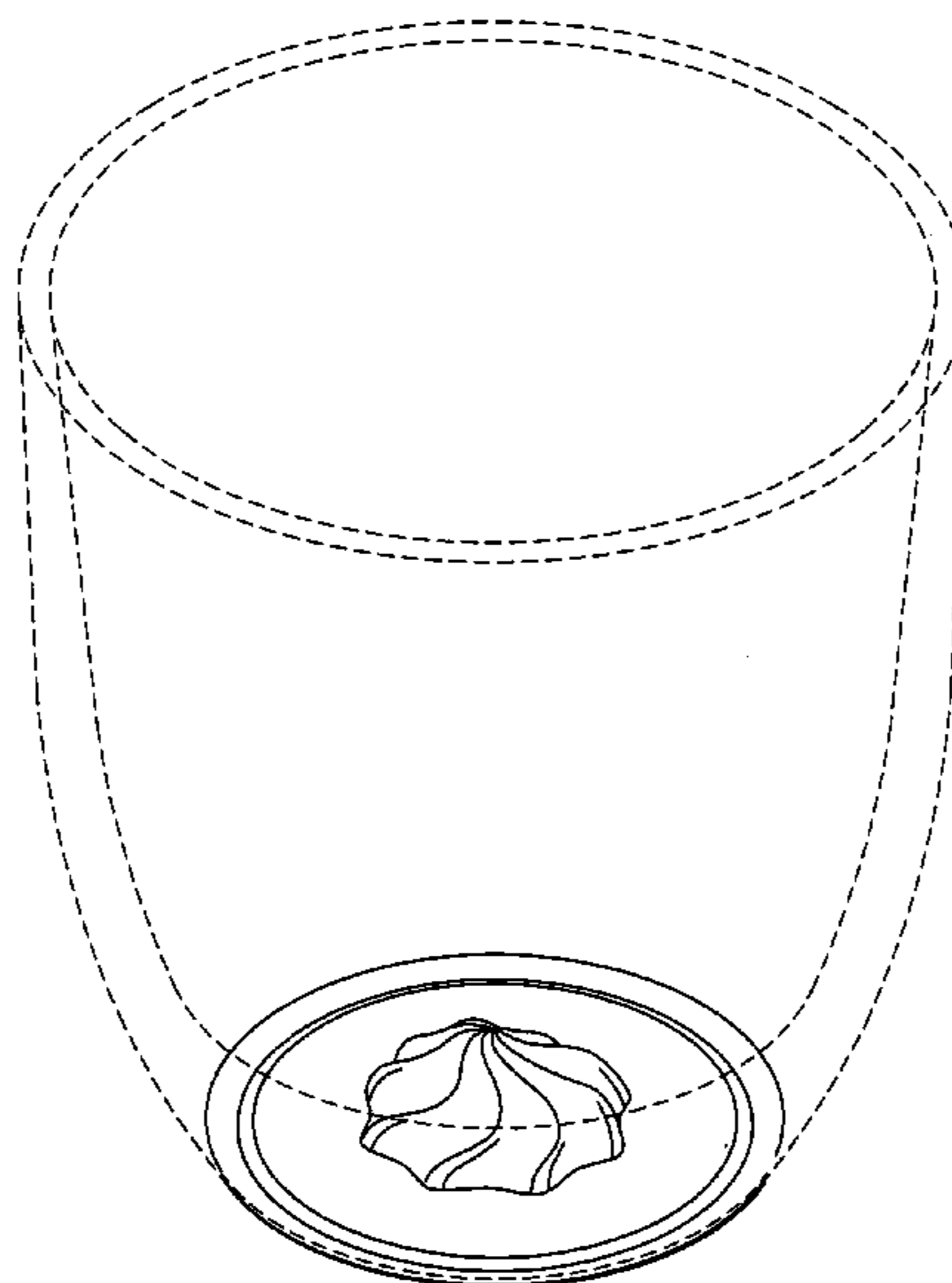
FIG. 5 is a right side elevation view thereof.

FIG. 6 is a top plan view thereof; and,

FIG. 7 is a bottom plan view thereof.

The broken line showing of environmental structure in FIGS. 1–7 is for illustrative purposes only and forms no part of the claimed design.

1 Claim, 6 Drawing Sheets



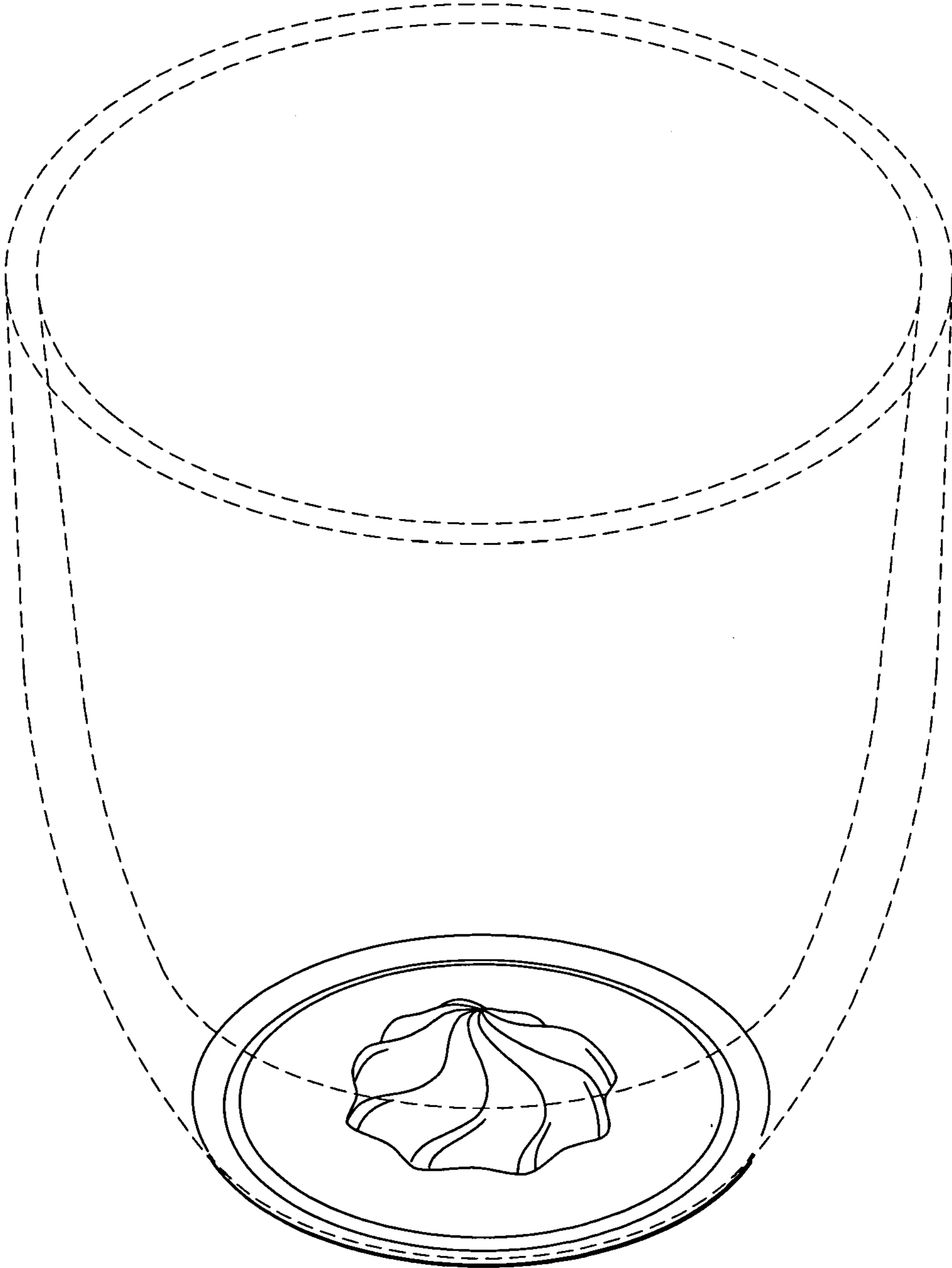


FIG. 1

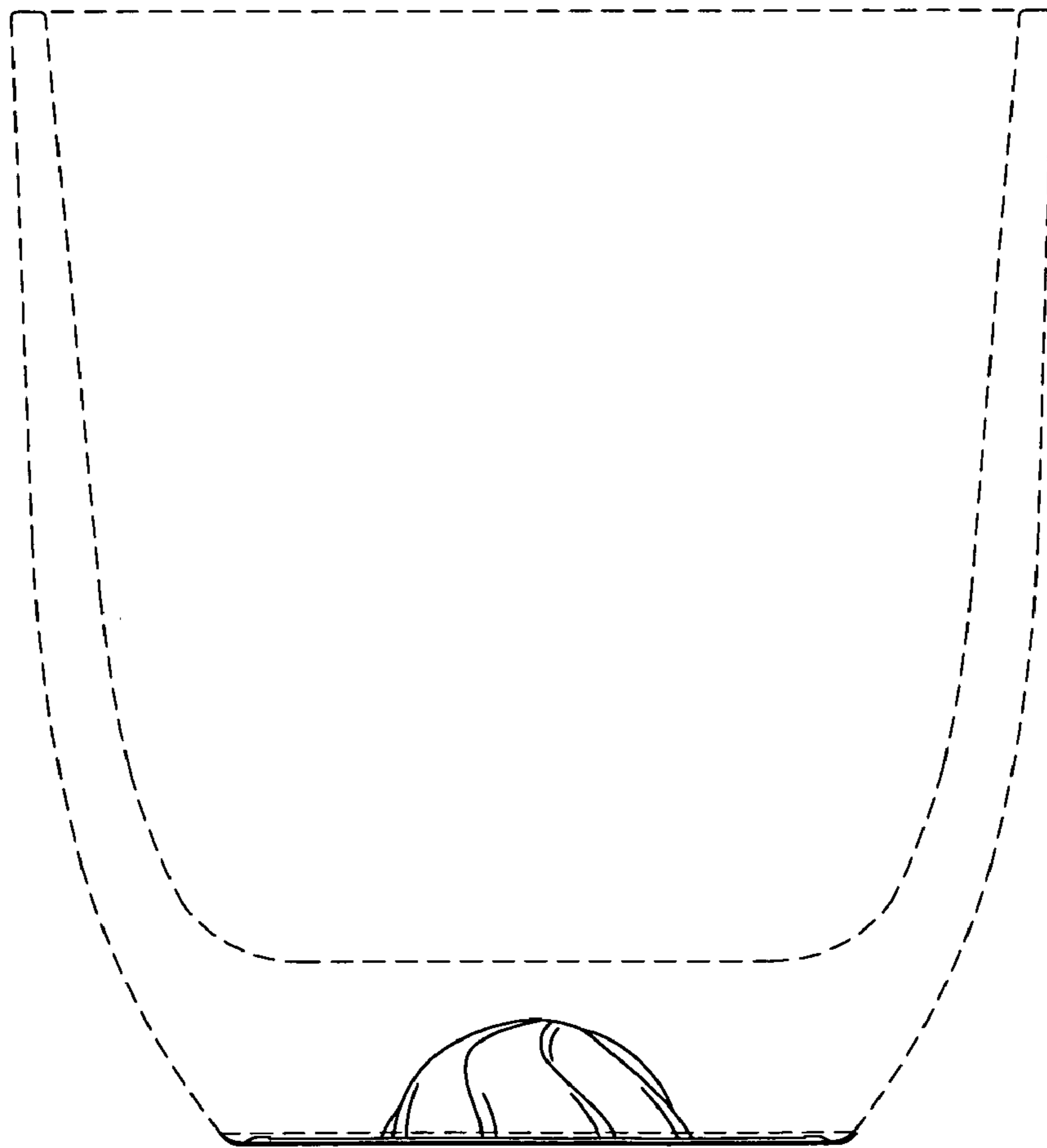


FIG. 2

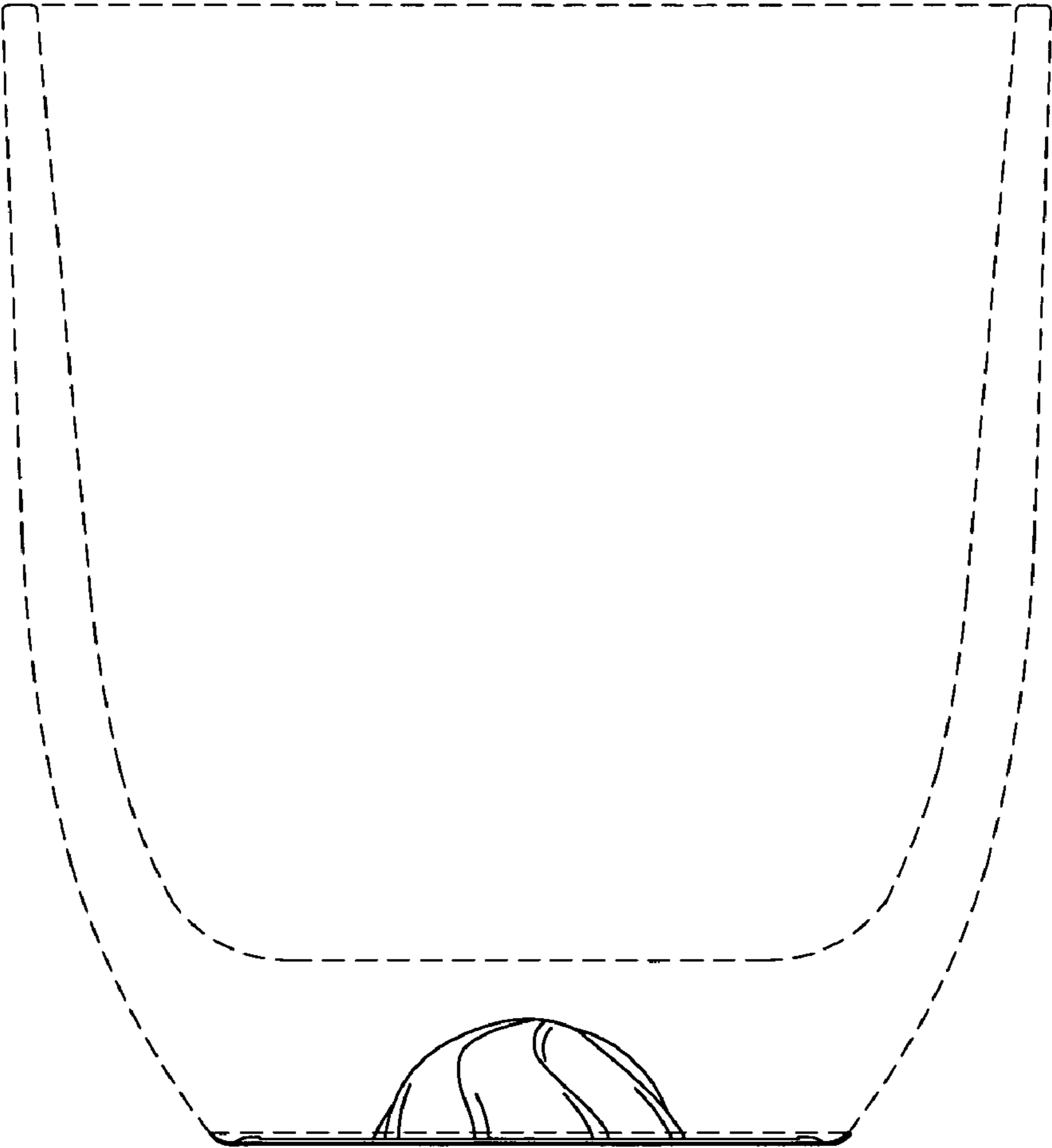


FIG. 3

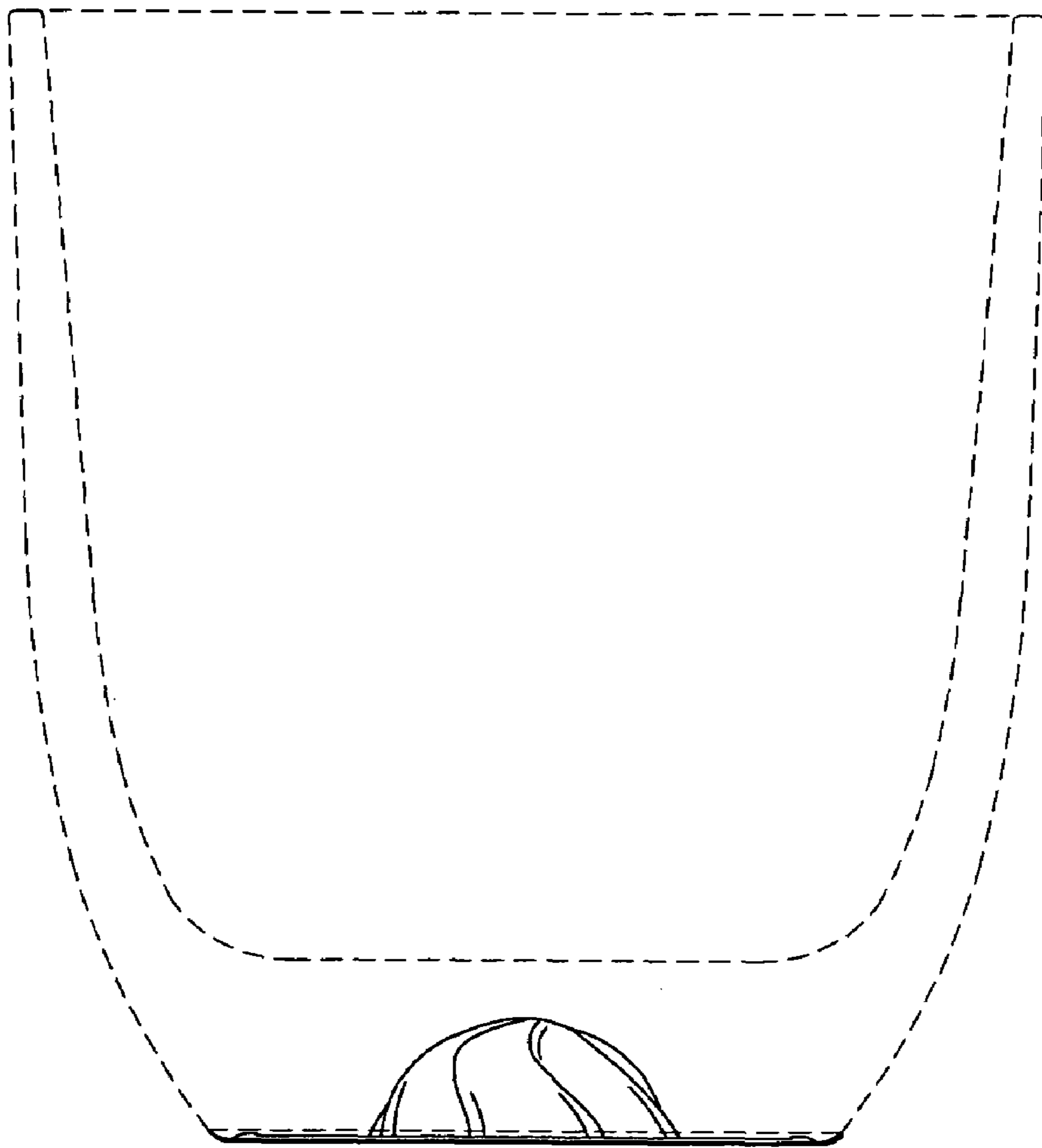


FIG. 4

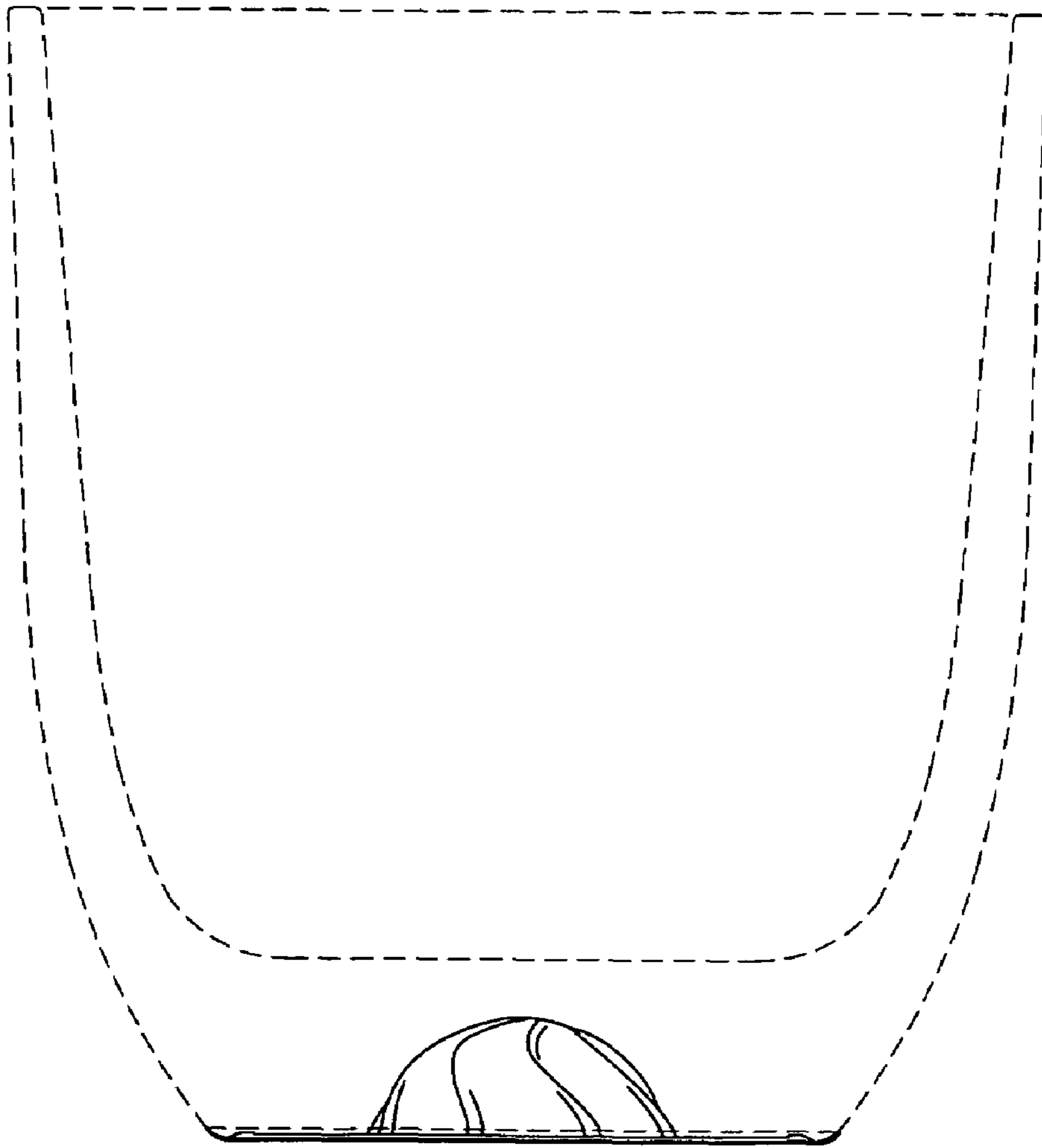


FIG. 5

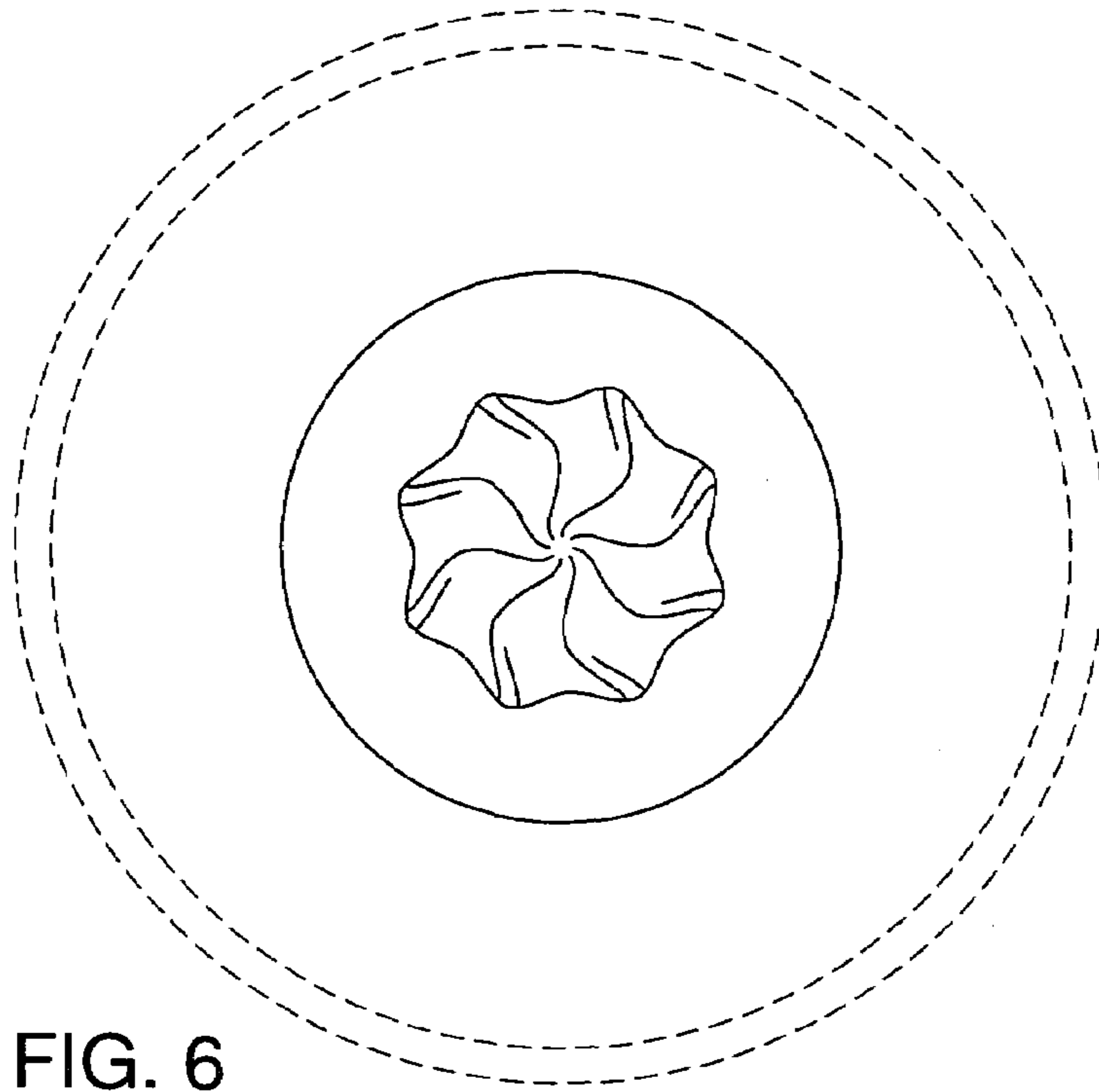


FIG. 6

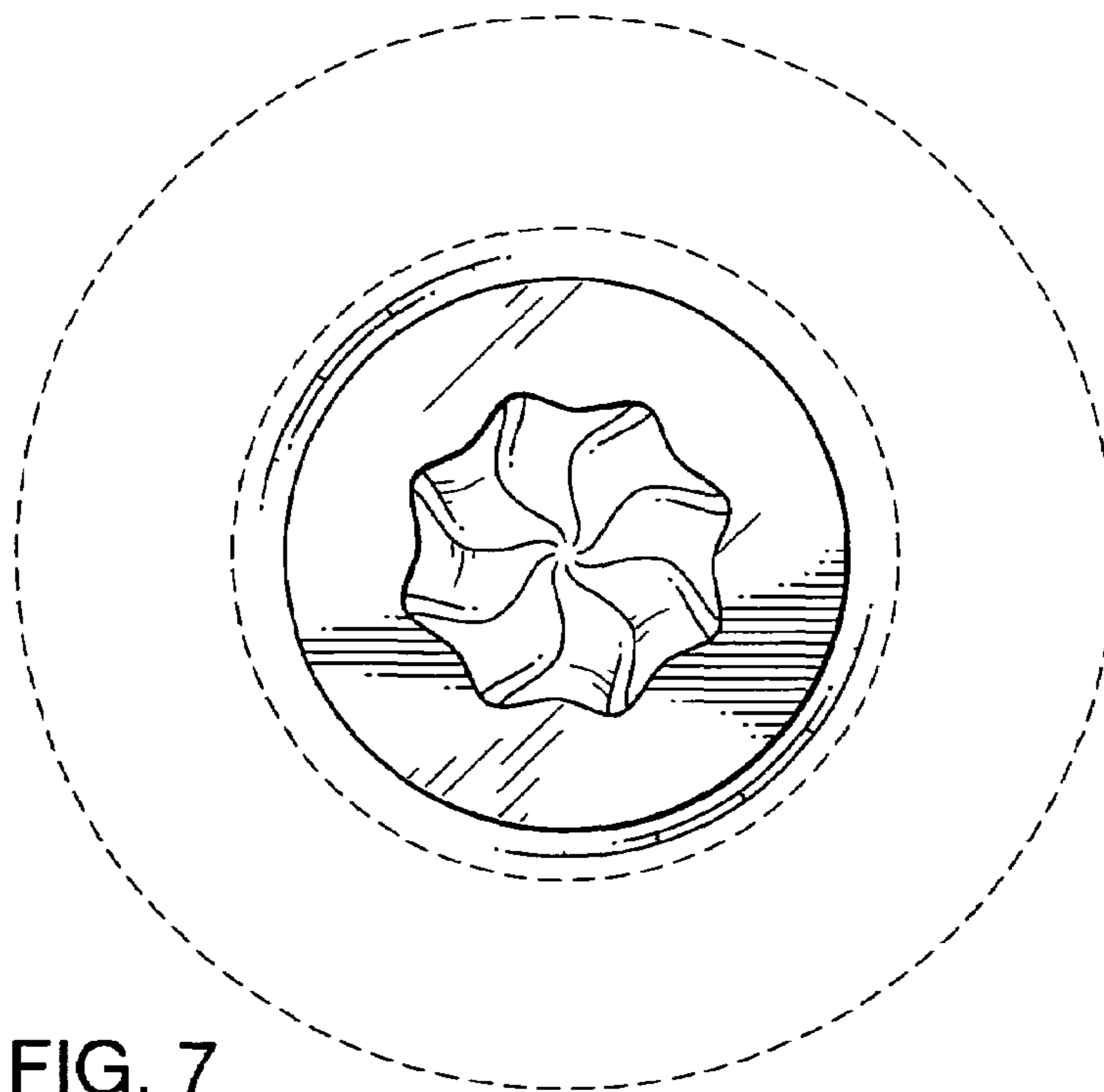


FIG. 7