

US00D565240S

(12) **United States Design Patent**
Blum et al.

(10) **Patent No.:** **US D565,240 S**
(45) **Date of Patent:** **** Mar. 25, 2008**

(54) **LIGHTING FIXTURE CANOPY**

(75) Inventors: **Robert Charles Blum**, Moorpark, CA (US); **Jae Seung Min**, Pasadena, CA (US); **Roland Sternmann**, Westlake Village, CA (US); **Craig Durfey**, Newbury Park, CA (US); **Heather Shaw**, South Pasadena, CA (US); **Toby Jay Gillies**, Malibu, CA (US); **Raul Cenán**, Santa Monica, CA (US)

(73) Assignee: **Ivalo Lighting Inc.**, Coopersburg, PA (US)

(**) Term: **14 Years**

(21) Appl. No.: **29/248,430**

(22) Filed: **Aug. 16, 2006**

(51) **LOC (8) Cl.** **26-99**

(52) **U.S. Cl.** **D26/138**

(58) **Field of Classification Search** D26/67,
D26/34, 138, 140, 142, 118, 72, 85, 86, 87,
D26/84, 75, 76, 144; 248/230.5, 156; 362/373,
362/477, 473, 231; D10/104; D8/373, 354;
D6/579; D13/180

See application file for complete search history.

(56) **References Cited**

U.S. PATENT DOCUMENTS

1,731,942	A *	10/1929	Simmons	362/406
D186,400	S *	10/1959	Belau	D26/84
D283,647	S *	4/1986	Schumann	D26/67
D303,437	S *	9/1989	Mason	D26/86
D346,459	S *	4/1994	King	D26/84
5,431,510	A *	7/1995	Reinert, Sr.	404/72
D363,464	S *	10/1995	Fukasawa	D13/182

D382,663	S *	8/1997	Barry	D26/72
D429,360	S *	8/2000	Chelf et al.	D26/86
D431,319	S *	9/2000	Hiller et al.	D26/142
D442,719	S *	5/2001	Gluck	D26/67
D442,730	S *	5/2001	Doerr	D26/90
D445,941	S *	7/2001	Schaefer et al.	D26/85
D465,872	S *	11/2002	Cacaci	D26/90
D501,573	S *	2/2005	Benensohn	D26/89
6,945,676	B1 *	9/2005	Scott	362/396
2003/0082948	A1 *	5/2003	Hakkarainen et al.	439/531

* cited by examiner

Primary Examiner—Freda S. Nunn

Assistant Examiner—Kevin K Rudzinski

(74) *Attorney, Agent, or Firm*—Ostrolenk, Faber, Gerb & Soffen, LLP

(57) **CLAIM**

The ornamental design for a lighting fixture canopy, as shown and described.

DESCRIPTION

FIG. 1 is a top perspective view showing the lighting fixture canopy of our present invention;

FIG. 2 is a bottom perspective view thereof;

FIG. 3 is a top plan view thereof;

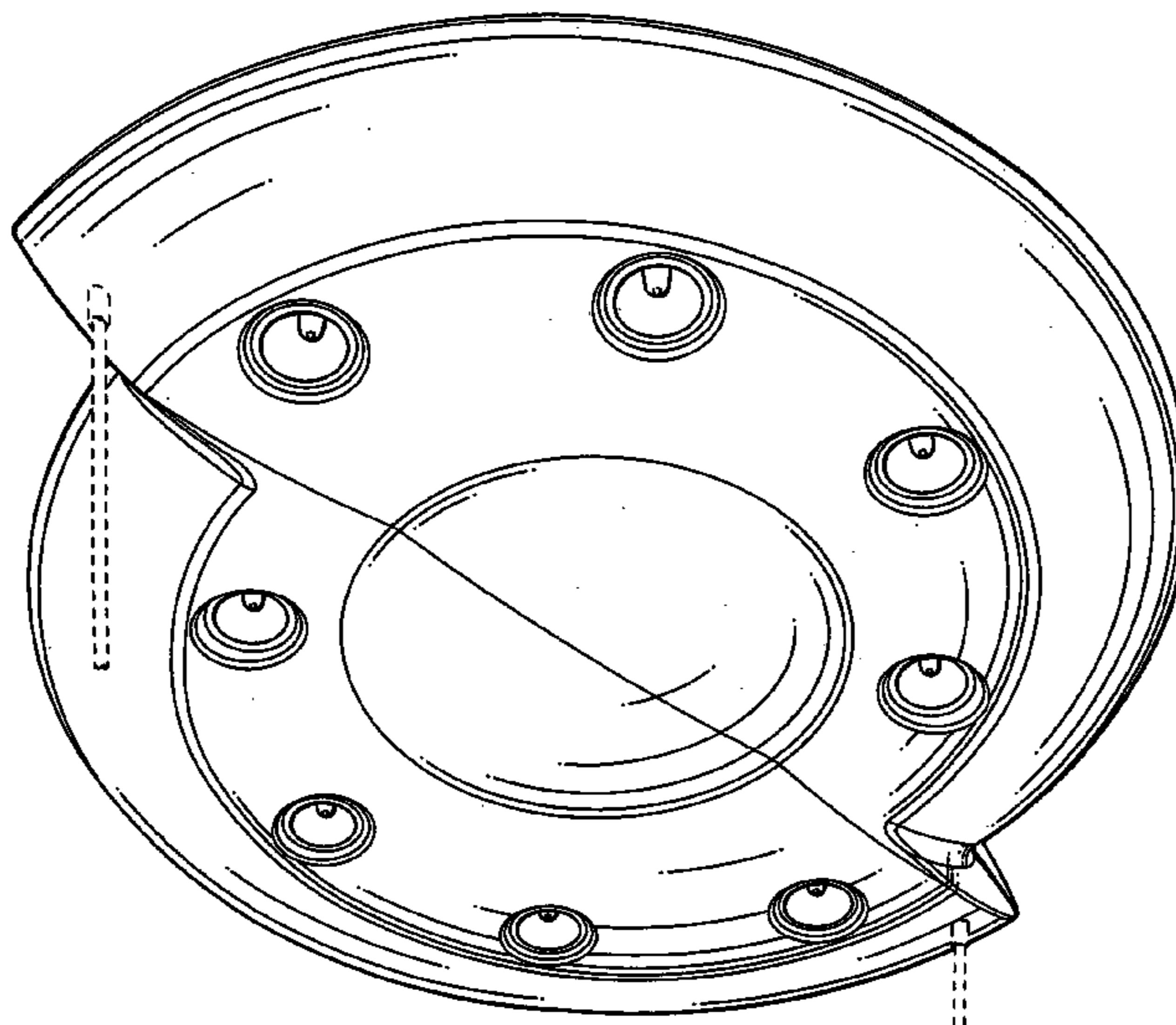
FIG. 4 is a side elevation view thereof, the opposite side view being identical;

FIG. 5 is another side elevation view thereof, the opposite side view being identical; and,

FIG. 6 is a bottom plan view thereof.

The broken line shown is included for the purpose of illustration only and forms no part of the claimed design.

1 Claim, 6 Drawing Sheets



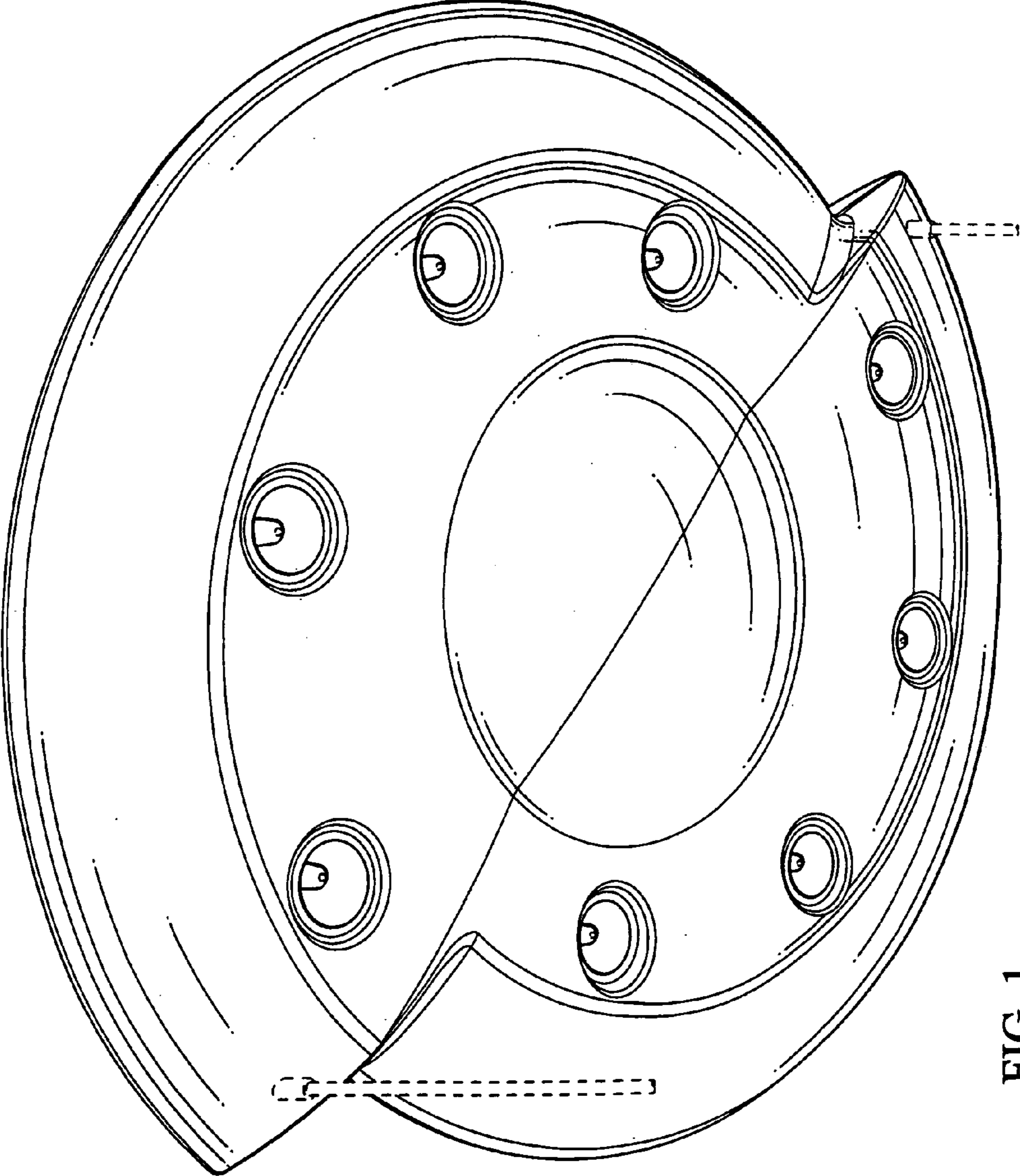


FIG. 1

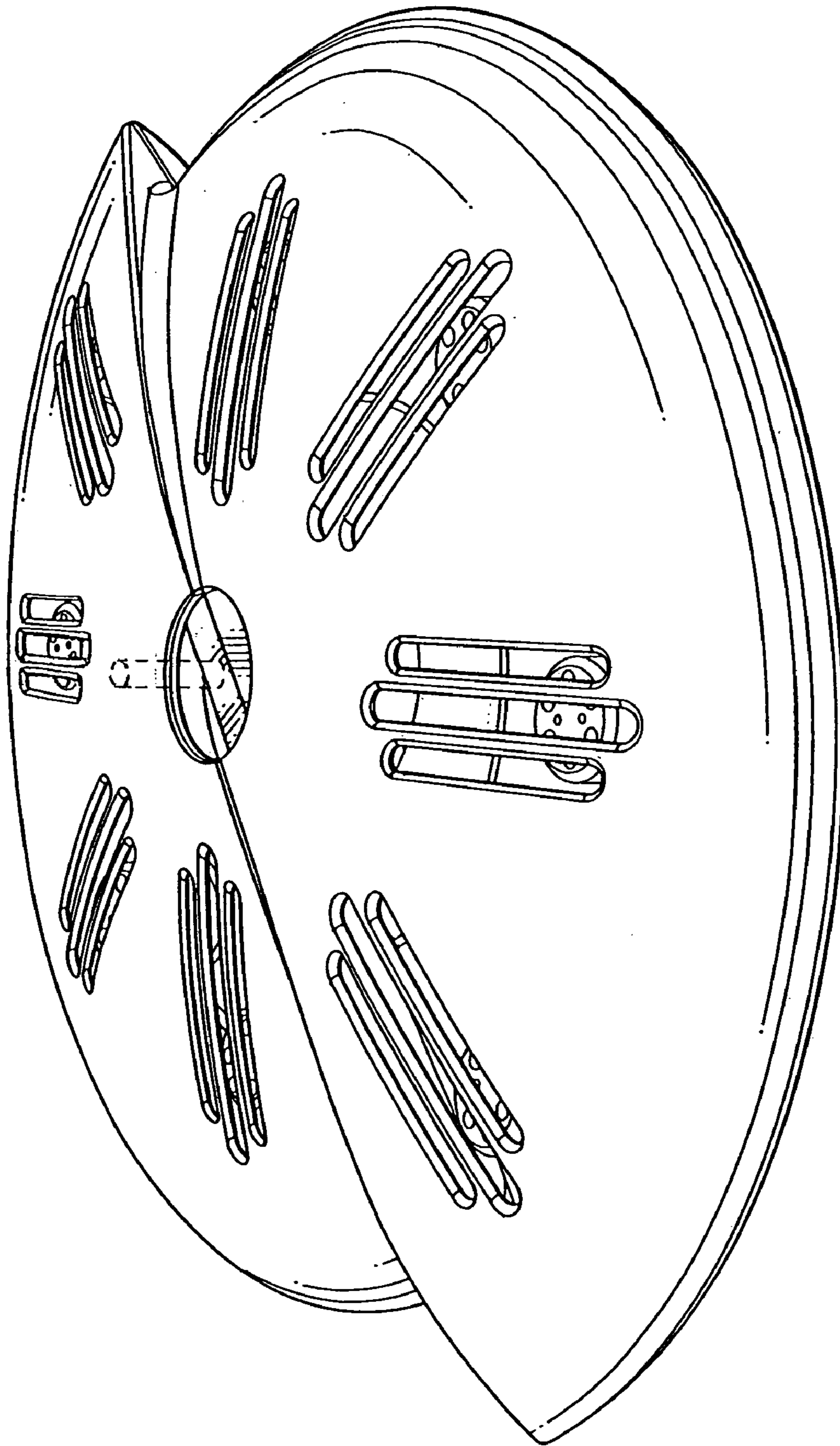


FIG. 2

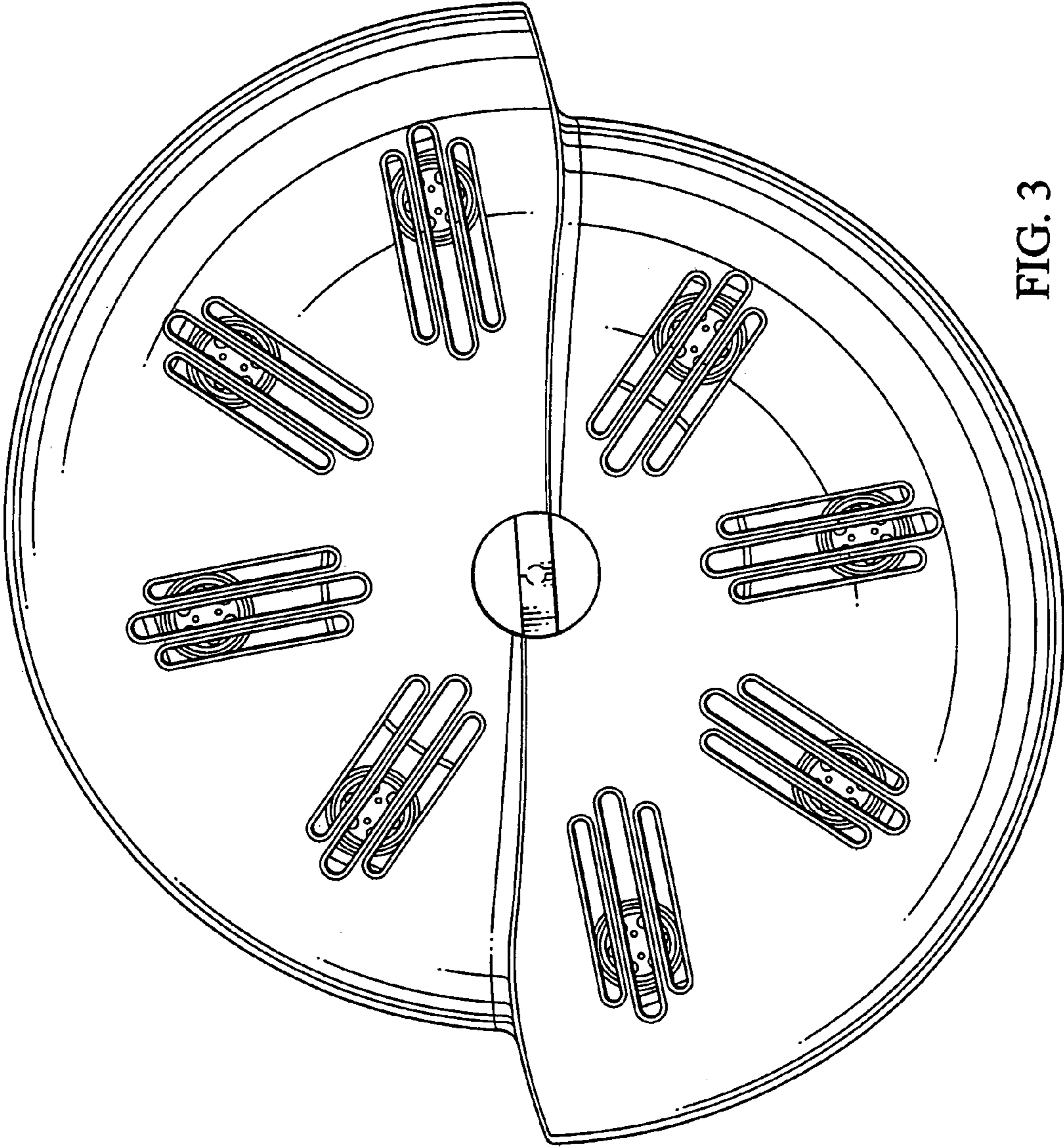


FIG. 3

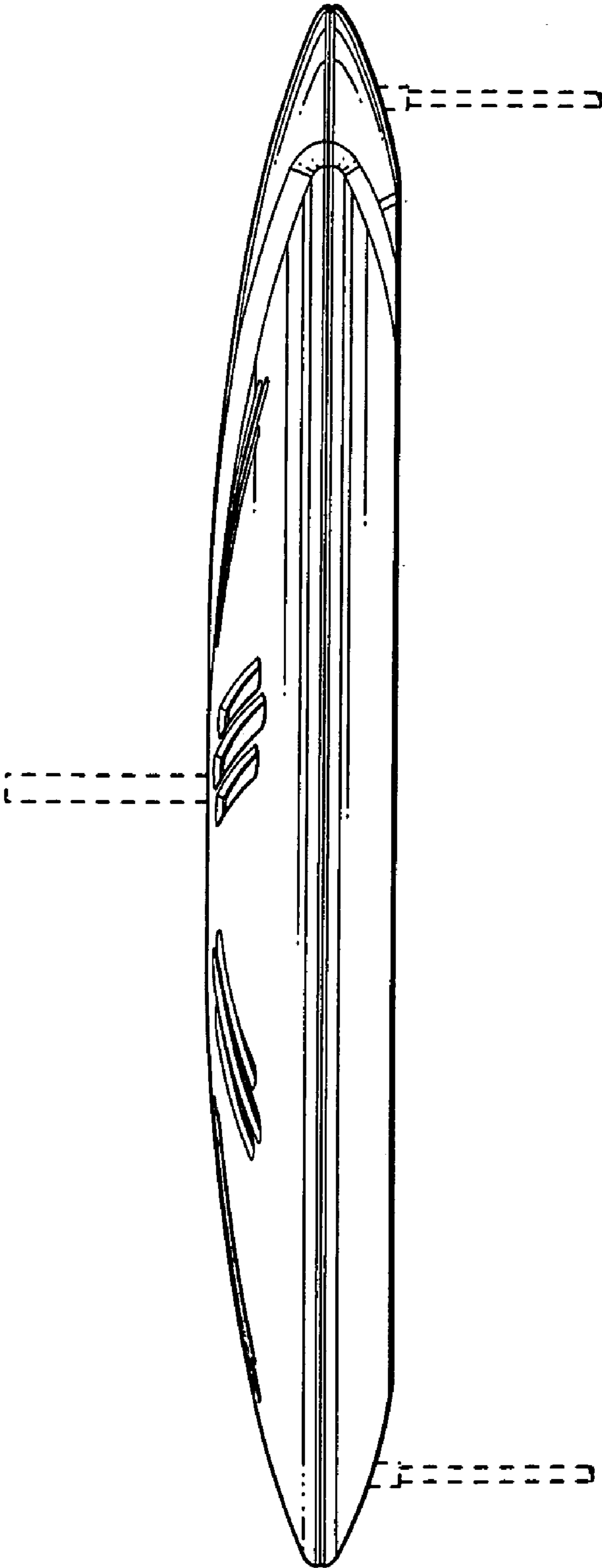


FIG. 4

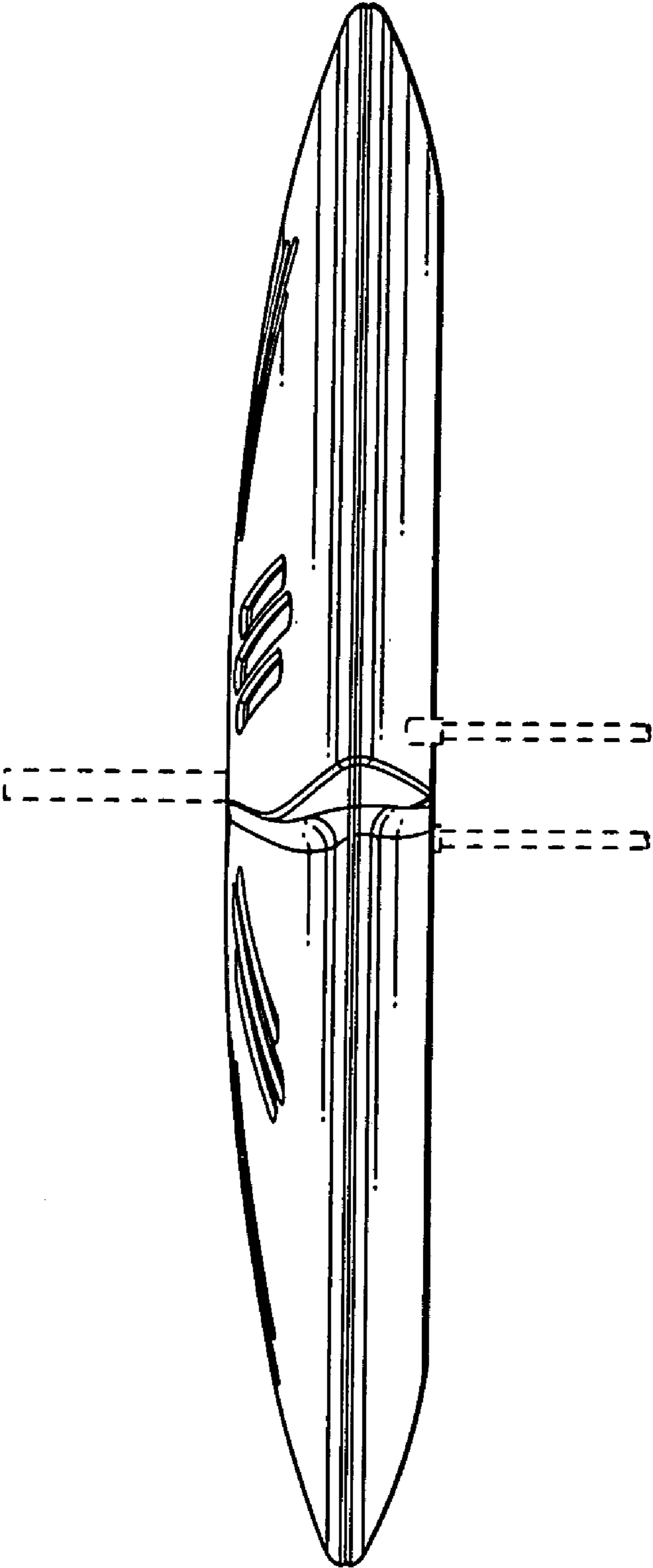


FIG. 5

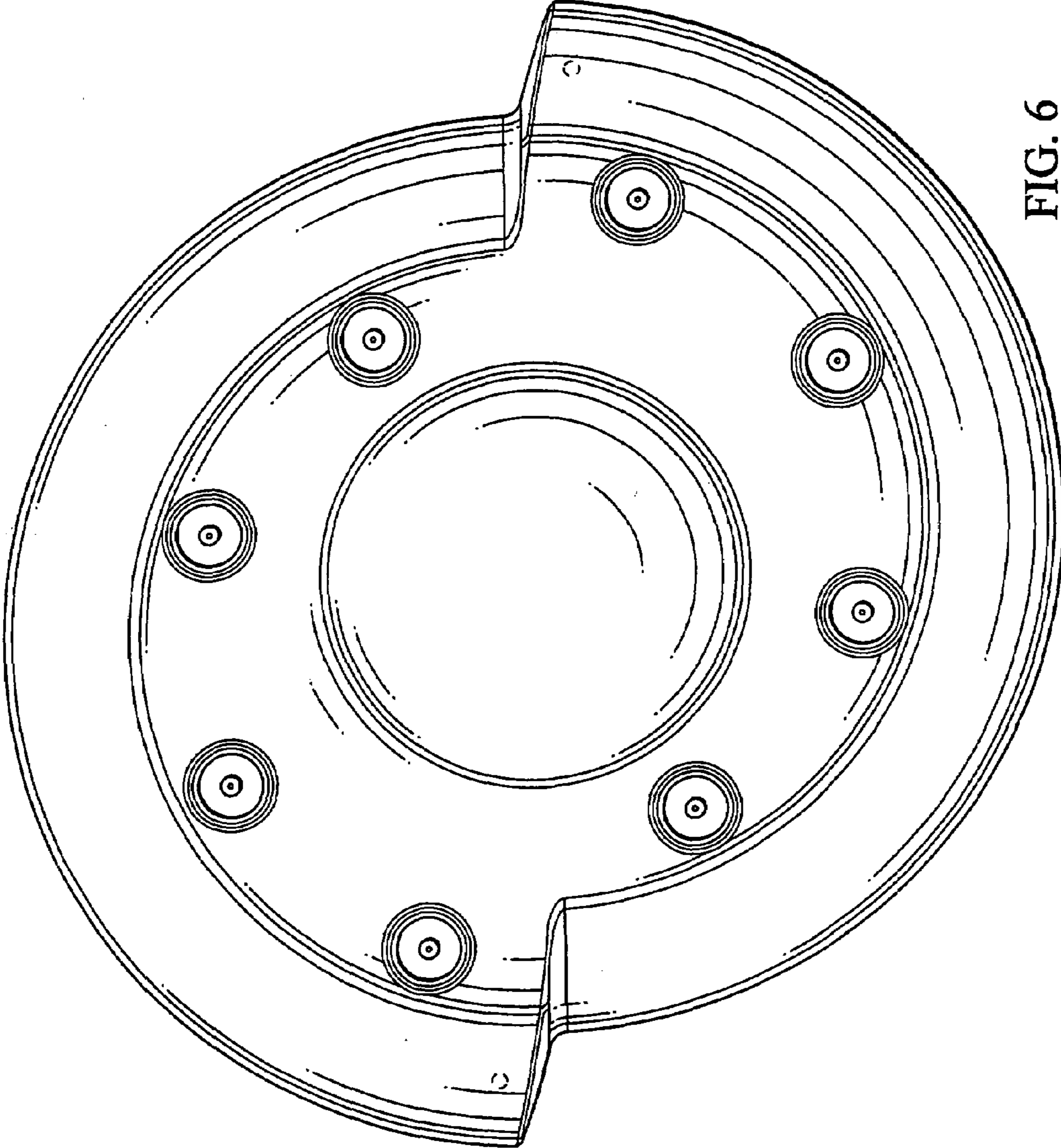


FIG. 6