

US00D565234S

(12) **United States Design Patent**
Pfund et al.

(10) **Patent No.:** **US D565,234 S**
(45) **Date of Patent:** **** Mar. 25, 2008**

(54) **LUMINAIRE WITH MOUNTING STANCHION**

D511,222 S * 11/2005 Hetfield D26/76
7,018,063 B2 * 3/2006 Michael et al. 362/183
D523,986 S * 6/2006 Waycaster et al. D26/76

(75) Inventors: **David Pfund**, Woodbridge, CT (US);
Sylvan Shemitz, Woodbridge, CT (US)

* cited by examiner

(73) Assignee: **Sylvan R. Shemitz Designs, Inc.**, West Haven, CT (US)

Primary Examiner—Clare E Heflin

(74) *Attorney, Agent, or Firm*—Cantor Colburn LLP

(**) Term: **14 Years**

(57) **CLAIM**

(21) Appl. No.: **29/242,065**

We claim, the ornamental design for a luminaire with mounting stanchion, as shown and described.

(22) Filed: **Nov. 4, 2005**

DESCRIPTION

(51) **LOC (8) Cl.** **26-03**

FIG. 1 is a perspective view of a luminaire with mounting stanchion, showing our new design;

(52) **U.S. Cl.** **D26/87; D26/76**

FIG. 2 is a perspective view of a luminaire with mounting stanchion in another embodiment of the invention, showing our new design;

(58) **Field of Classification Search** D26/72,
D26/75, 76, 85, 87, 92; 362/147, 132, 404-406,
362/432

See application file for complete search history.

FIG. 3 is a front elevation view of the design shown in FIG. 1;

(56) **References Cited**

U.S. PATENT DOCUMENTS

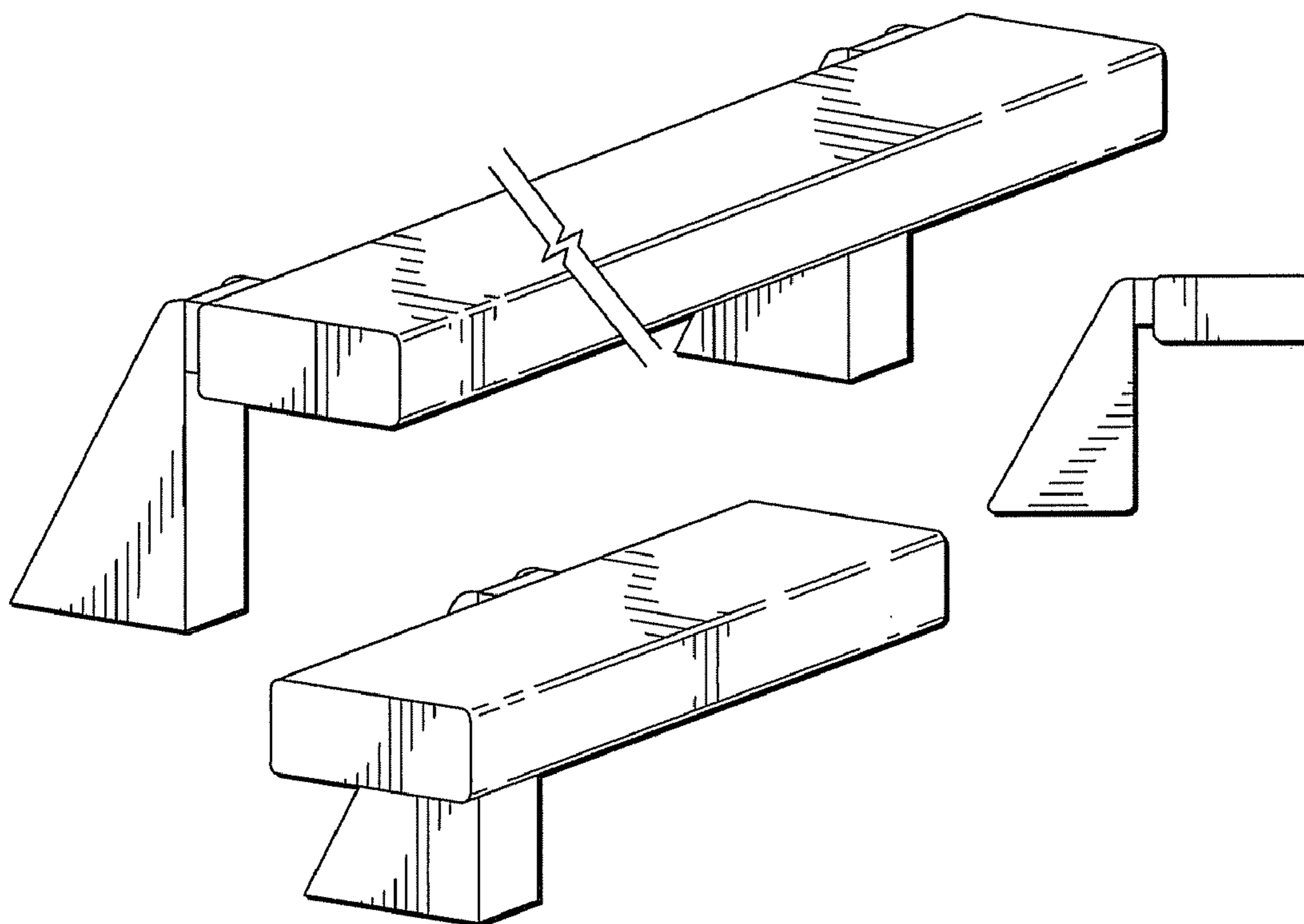
D123,049 S * 10/1940 Doane D26/76
D125,468 S * 2/1941 Dreyfuss D26/24
D152,177 S * 12/1948 Trombley D7/402
D232,257 S * 7/1974 Paulson D26/80
D419,258 S * 1/2000 Pfister D26/87
D421,146 S * 2/2000 Poulton D26/76
D472,007 S * 3/2003 Weitgasser D26/76
D509,313 S * 9/2005 Friedman et al. D26/71

FIG. 4 is a front elevation view of the design shown in FIG. 2; and,

FIG. 5 is a side elevation view of the design shown in FIG. 1 and FIG. 2, the opposite sides of which are mirror images hereof.

The luminaire is shown broken away in FIGS. 1 and 3 to show indeterminate length.

1 Claim, 2 Drawing Sheets



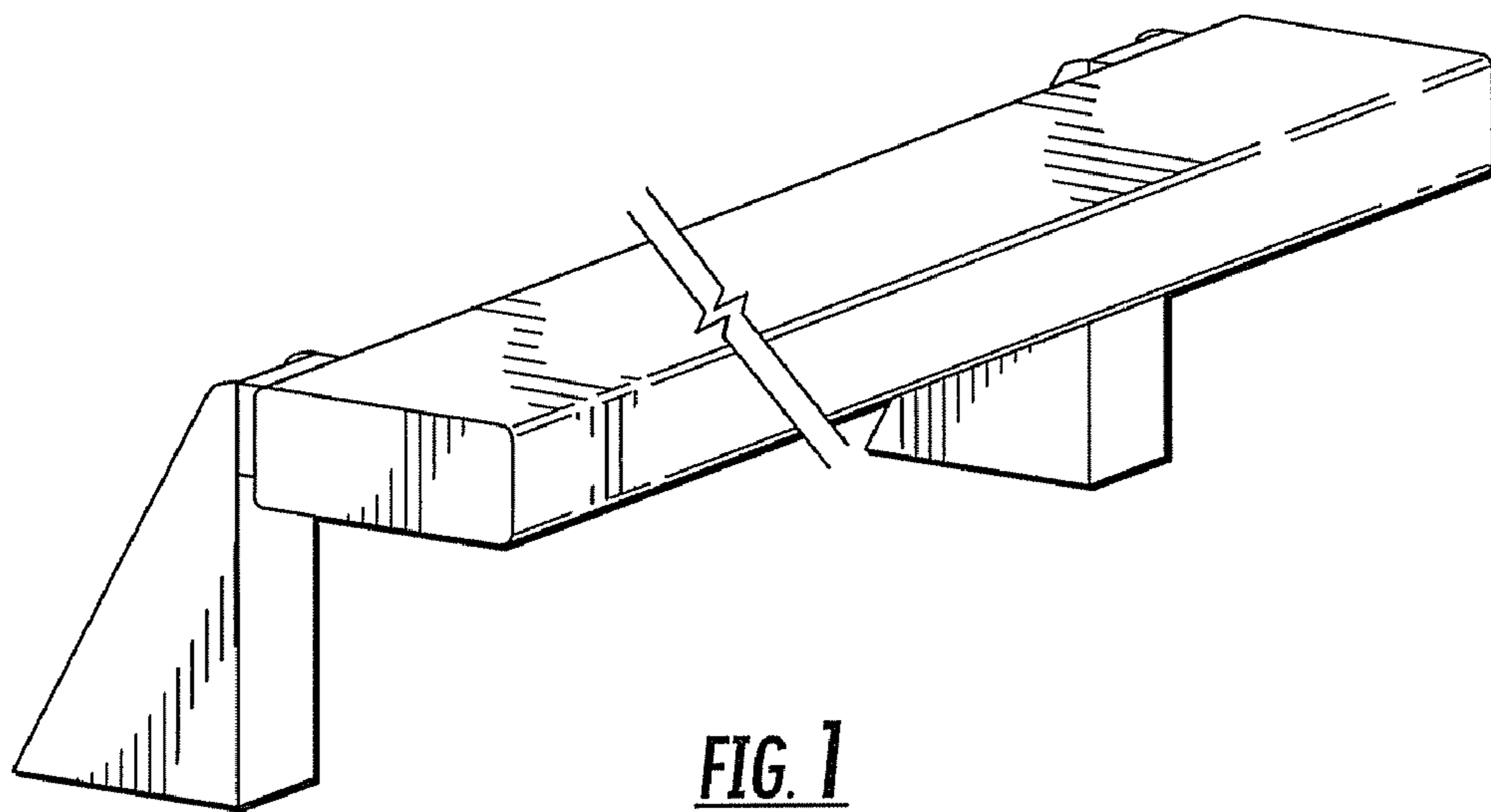


FIG. 1

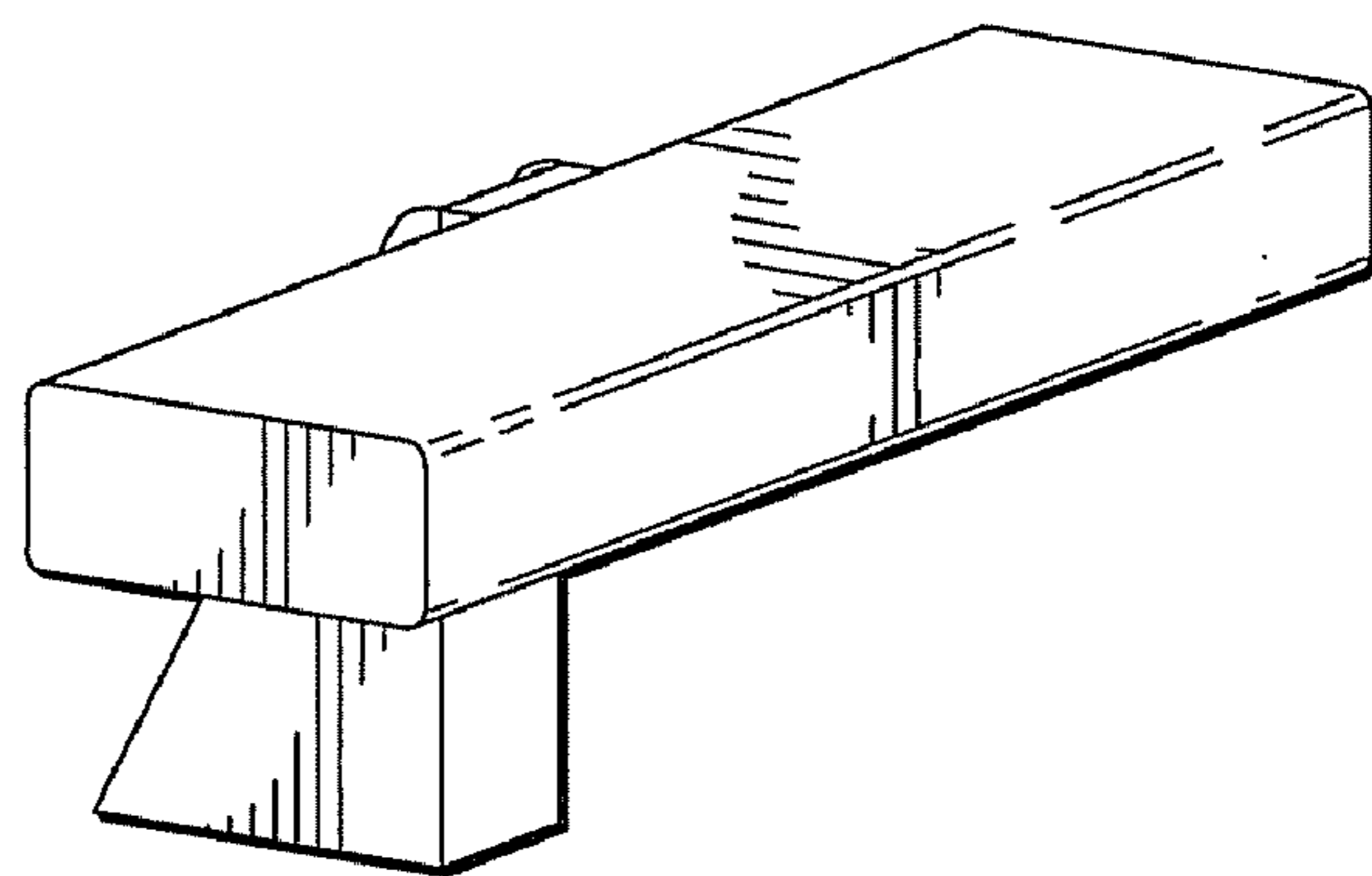


FIG. 2

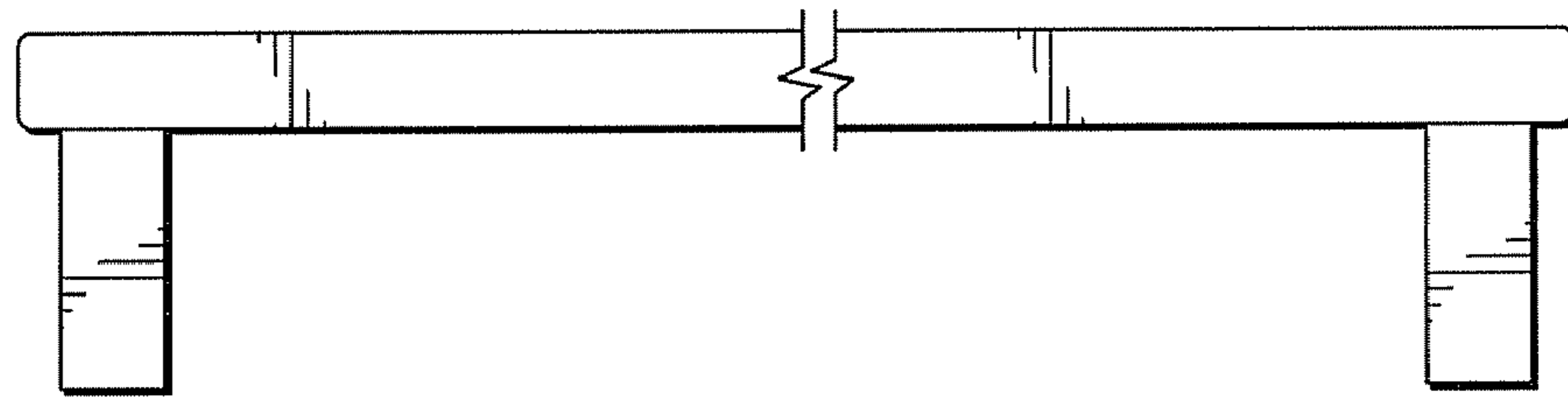


FIG. 3

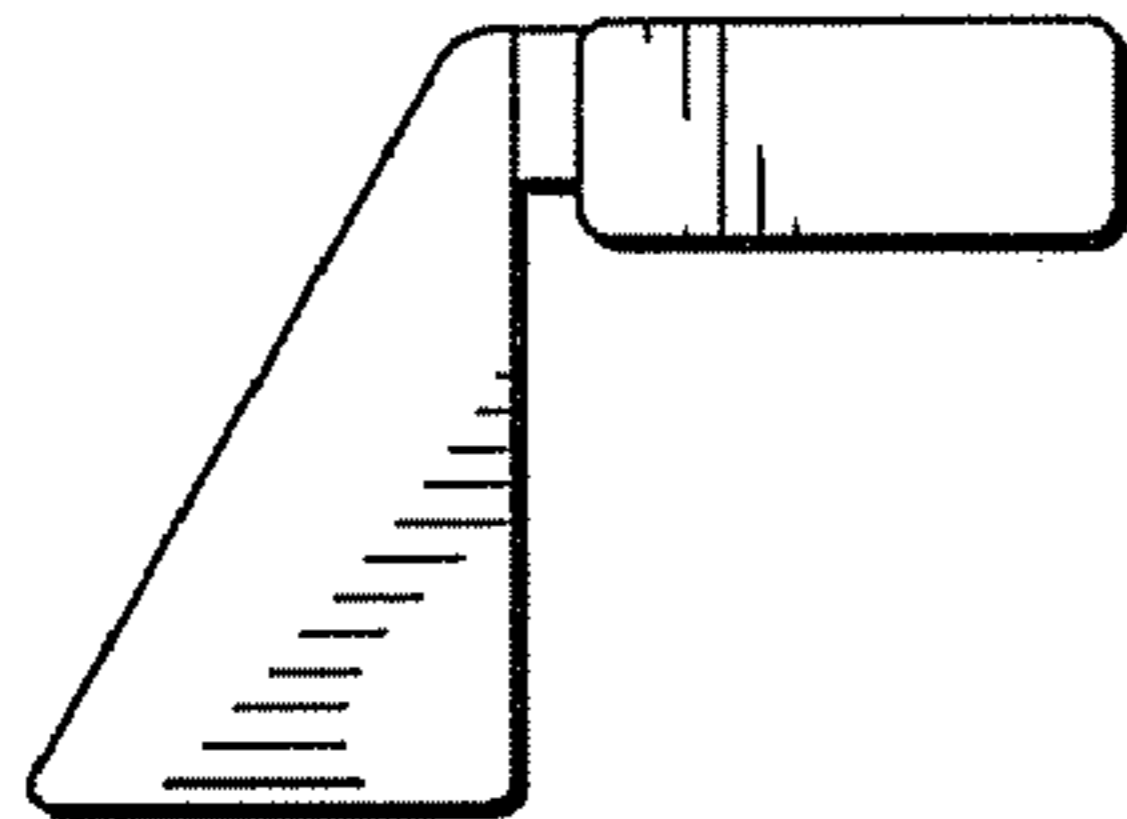


FIG. 5

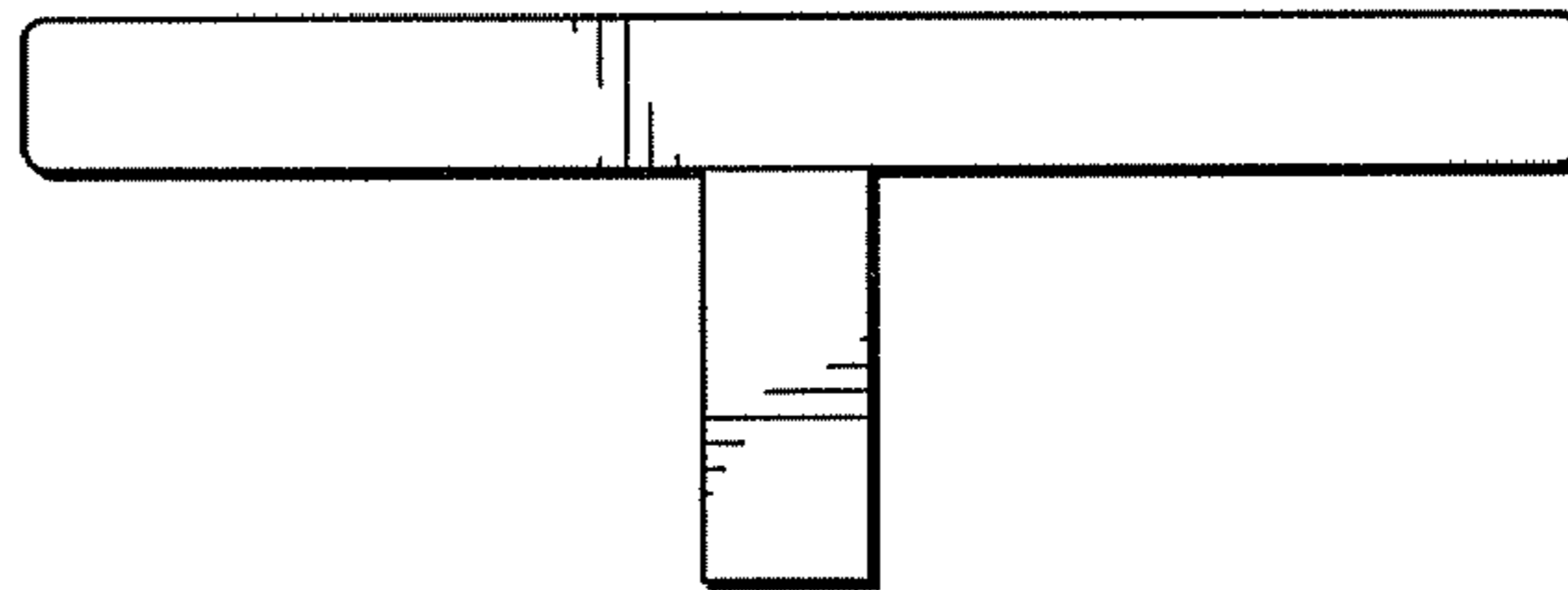


FIG. 4