

US00D565233S

(12) **United States Design Patent**
Ladewig et al.

(10) **Patent No.: US D565,233 S**
(45) **Date of Patent: ** Mar. 25, 2008**

(54) **WALL SCONCE**

(75) Inventors: **Christopher Ladewig**, Peachtree City, GA (US); **Edward Mackiewicz**, Peachtree City, GA (US)

(73) Assignee: **Cooper Technologies Company**, Houston, TX (US)

(**) Term: **14 Years**

(21) Appl. No.: **29/253,852**

(22) Filed: **Feb. 14, 2006**

(51) **LOC (8) Cl. 26-03**

(52) **U.S. Cl. D26/85; D26/118**

(58) **Field of Classification Search** D26/72,
D26/85-92, 118; 362/147, 431, 432, 362,
362/155-157

See application file for complete search history.

(56) **References Cited**

U.S. PATENT DOCUMENTS

- D188,213 S * 6/1960 Barto D26/26
- D222,117 S * 9/1971 Baatz D25/102
- D315,416 S * 3/1991 Ziaylek et al. D26/28
- D346,869 S * 5/1994 Houssian D26/26
- D384,761 S * 10/1997 Littman et al. D26/72
- D456,093 S * 4/2002 Rochon D26/72

- D468,046 S * 12/2002 Bernard et al. D26/85
- D484,633 S * 12/2003 Campagna D26/72
- D487,529 S * 3/2004 Kowitz D26/85
- D545,478 S * 6/2007 Morgan et al. D26/85

* cited by examiner

Primary Examiner—Clare E Heflin

(74) *Attorney, Agent, or Firm*—SAIDMAN DesignLaw Group

(57) **CLAIM**

The ornamental design for a wall sconce, as shown and described.

DESCRIPTION

FIG. 1 is a top perspective view of a wall sconce showing our new design;

FIG. 2 is a bottom, side perspective view thereof;

FIG. 3 is a front view thereof;

FIG. 4 is a top view thereof;

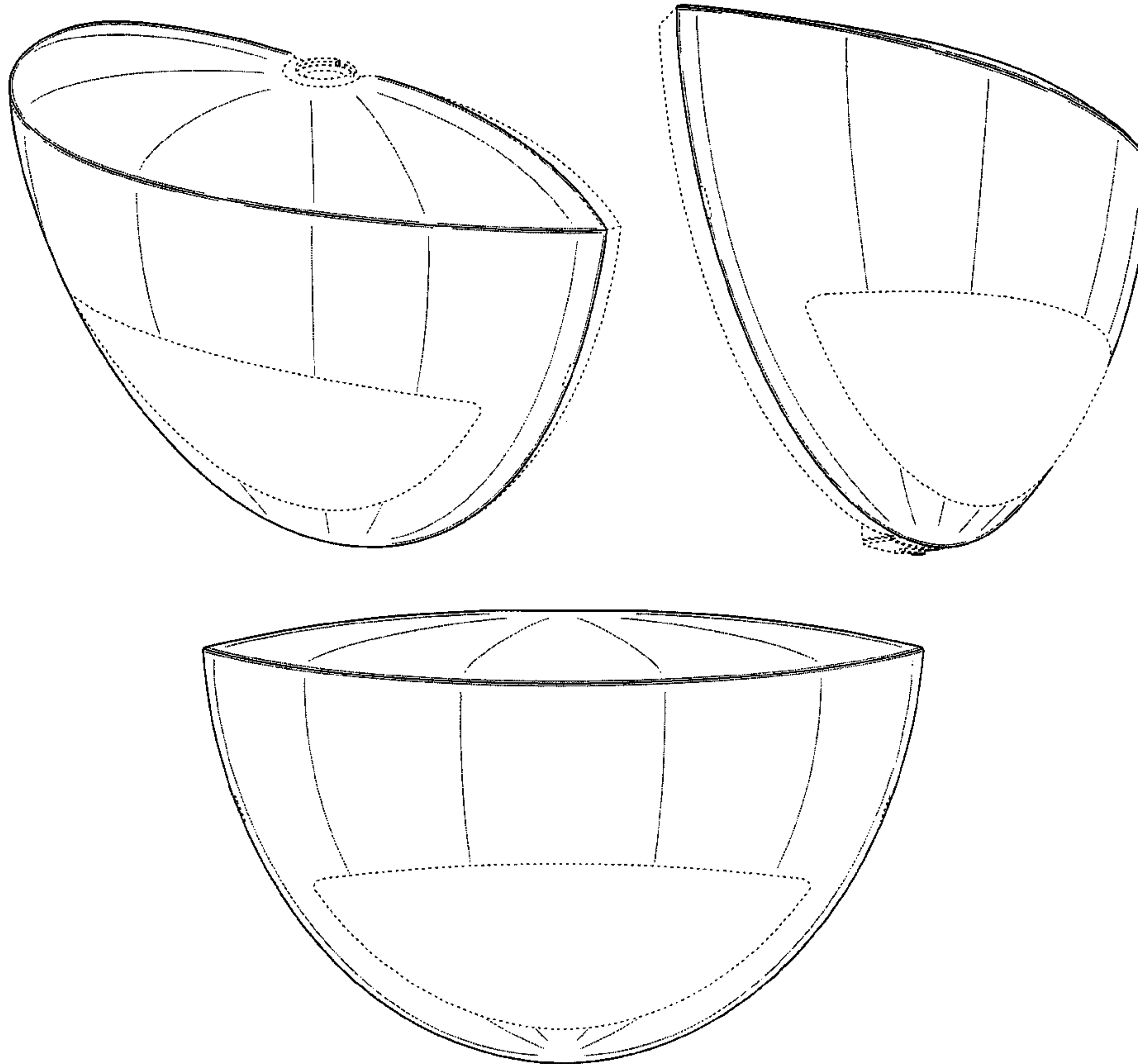
FIG. 5 is a bottom view thereof;

FIG. 6 is a left side view thereof; and,

FIG. 7 is a right side view thereof.

The broken lines form no part of the claimed design.

1 Claim, 5 Drawing Sheets



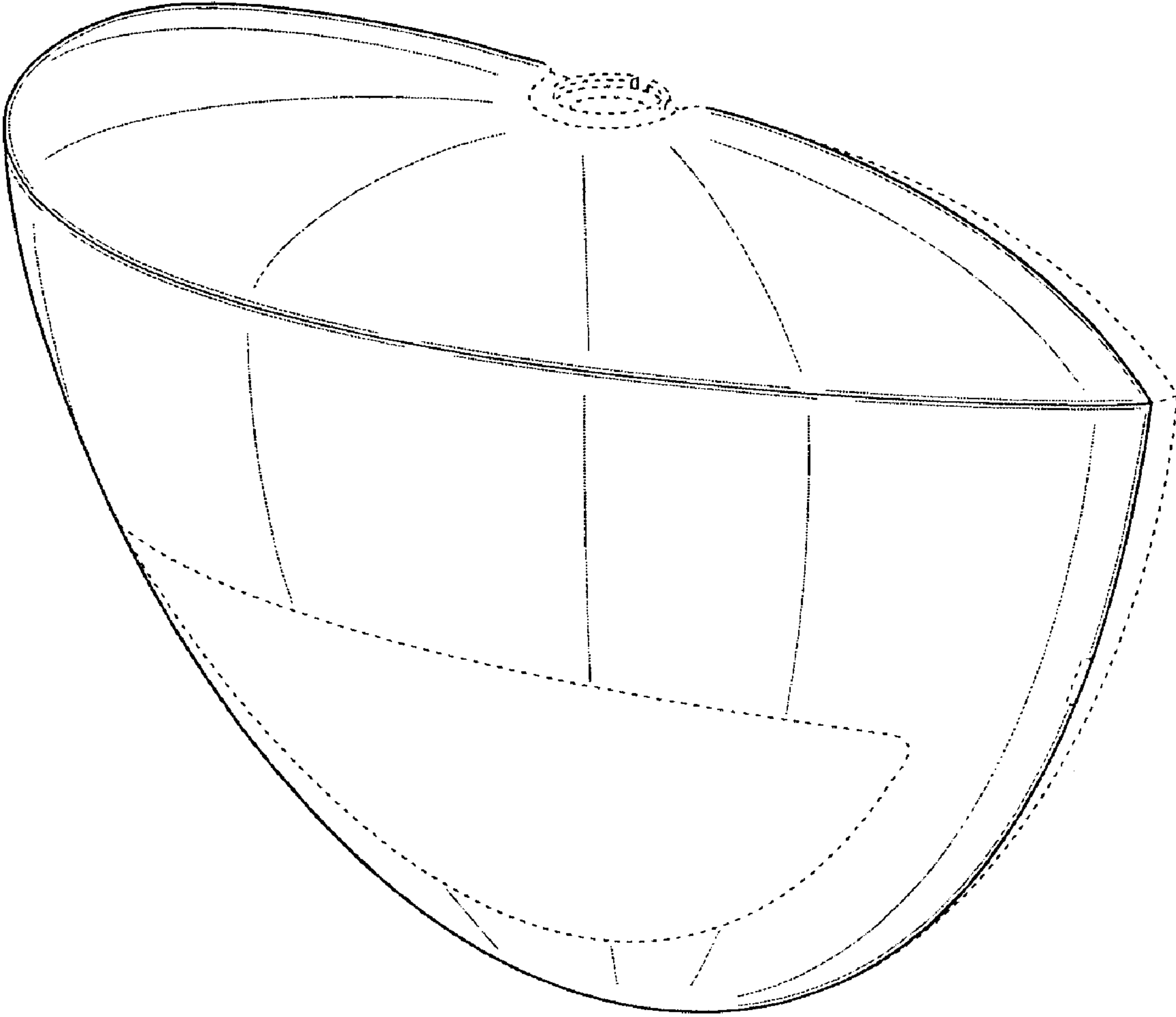


Fig. 1

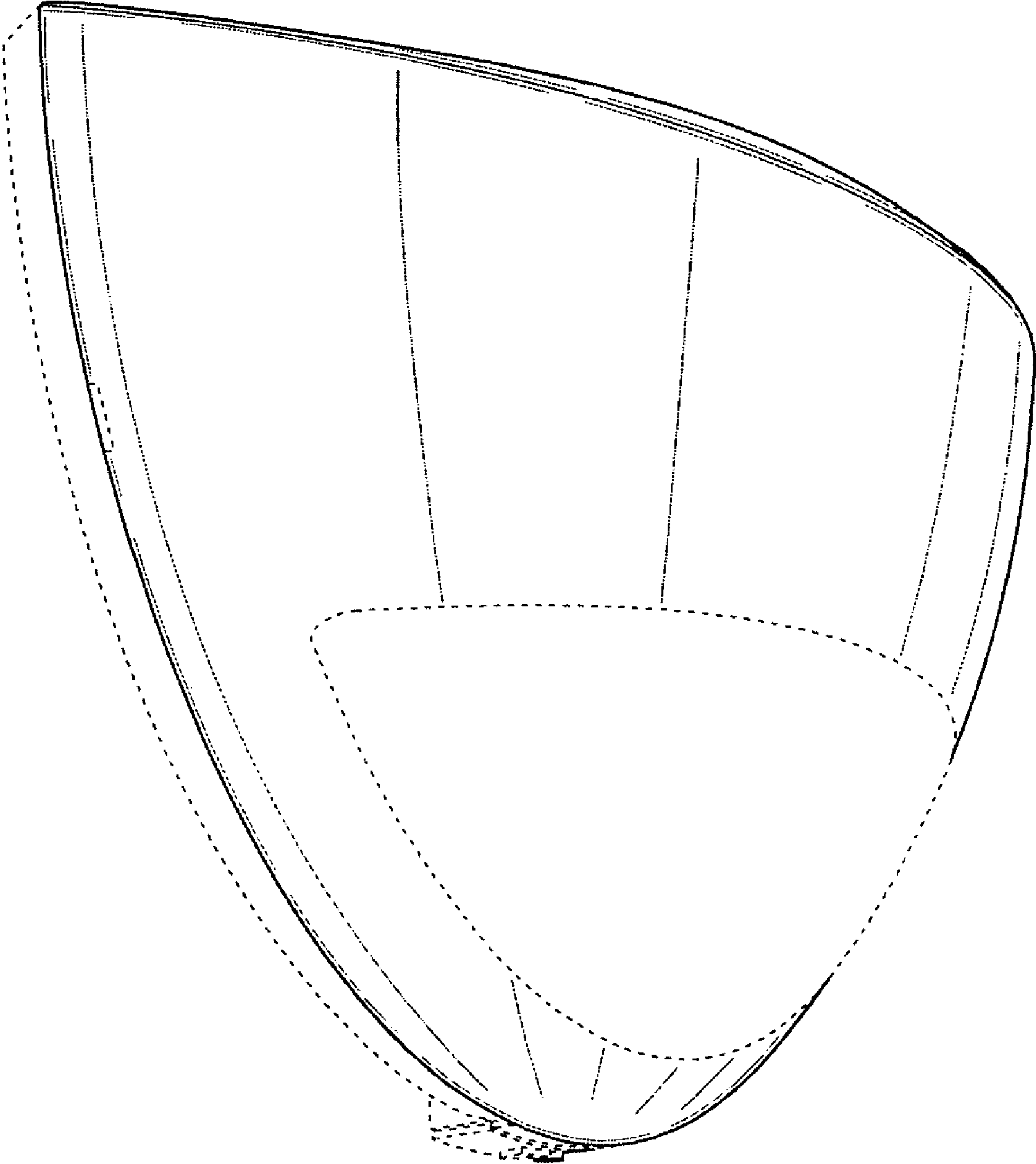


Fig. 2

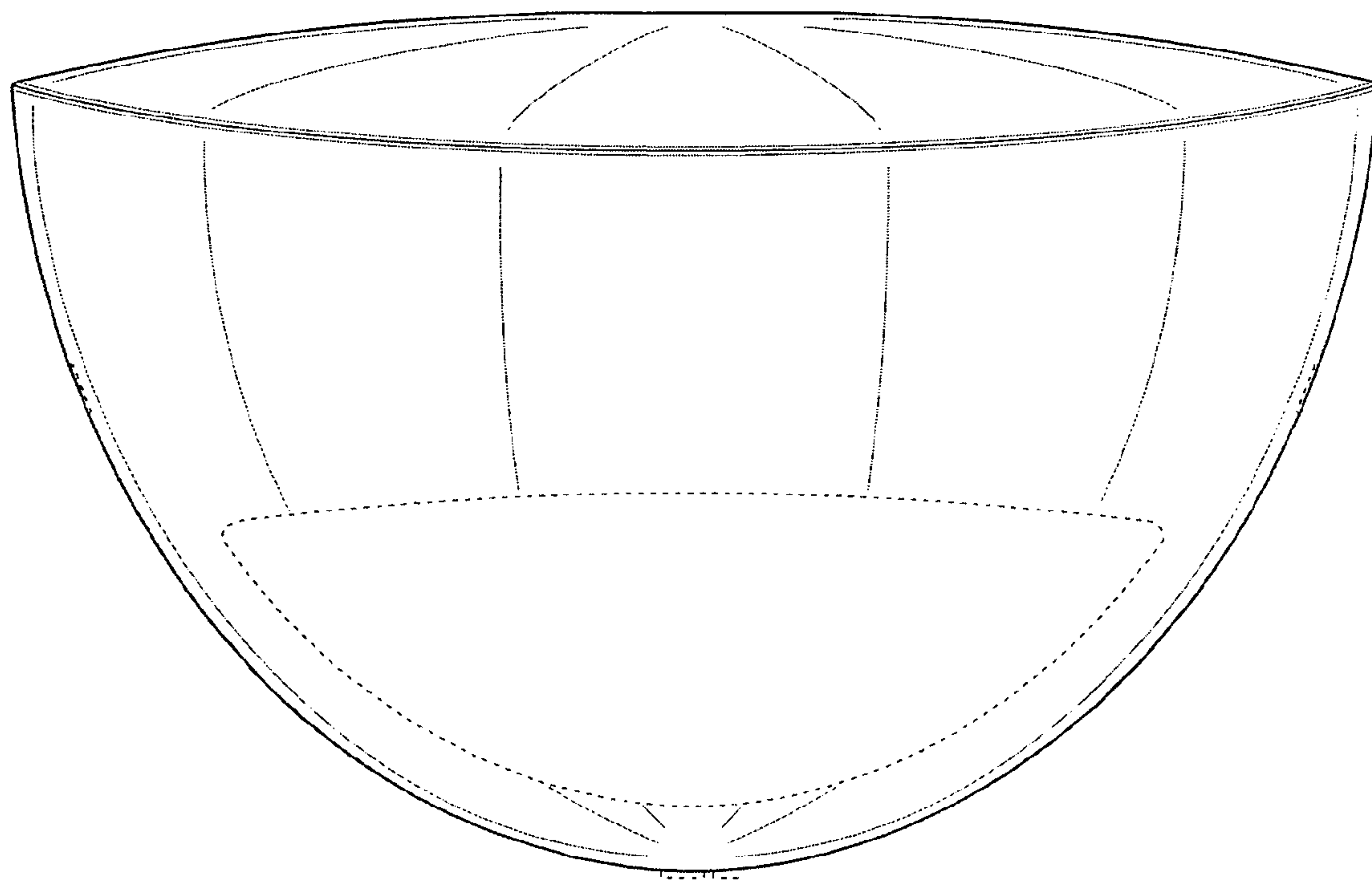


Fig. 3

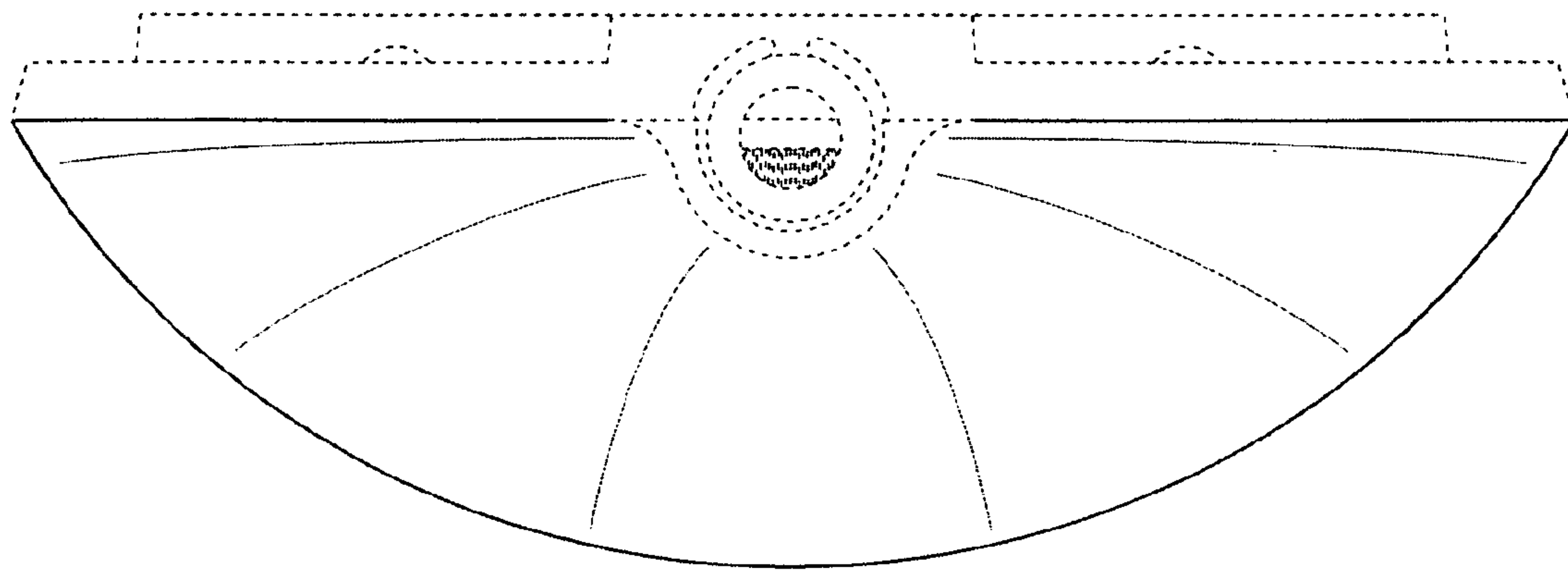


Fig. 4

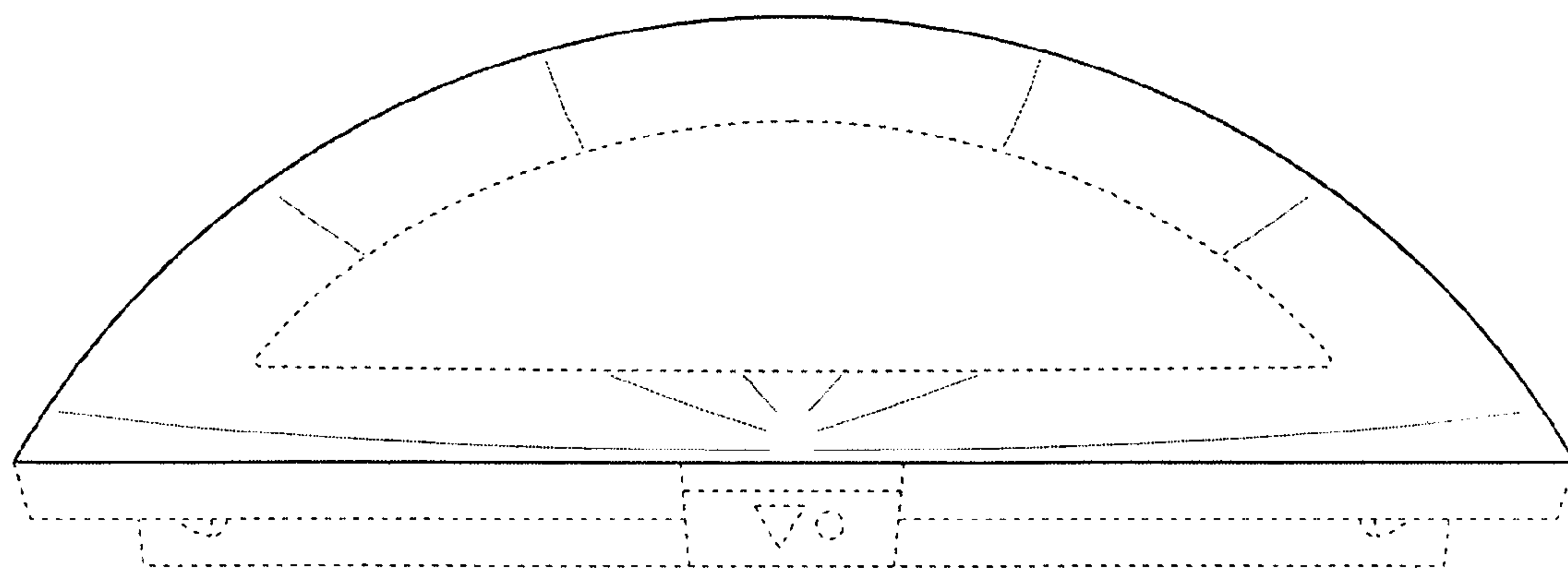


Fig. 5

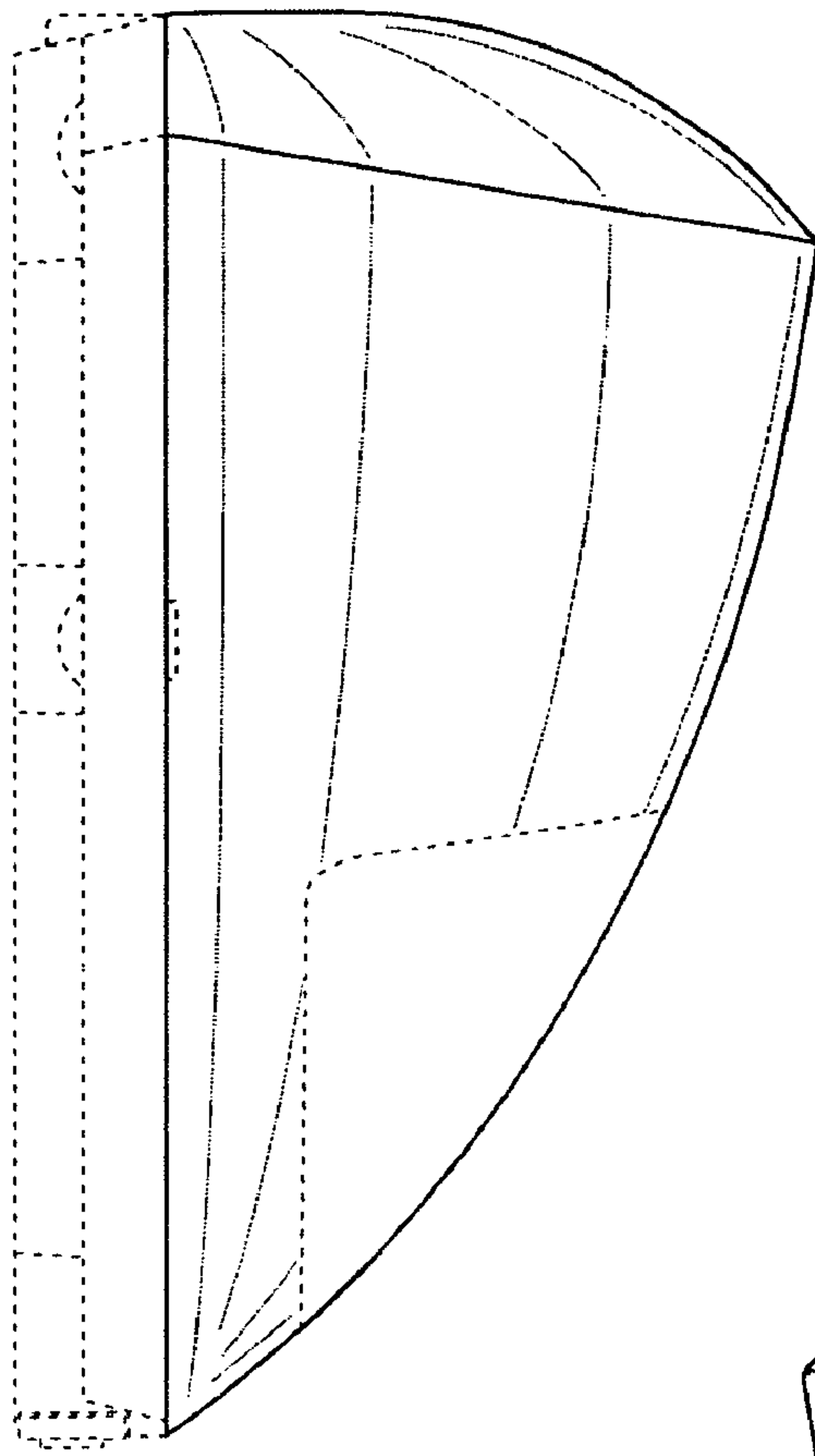


Fig. 6

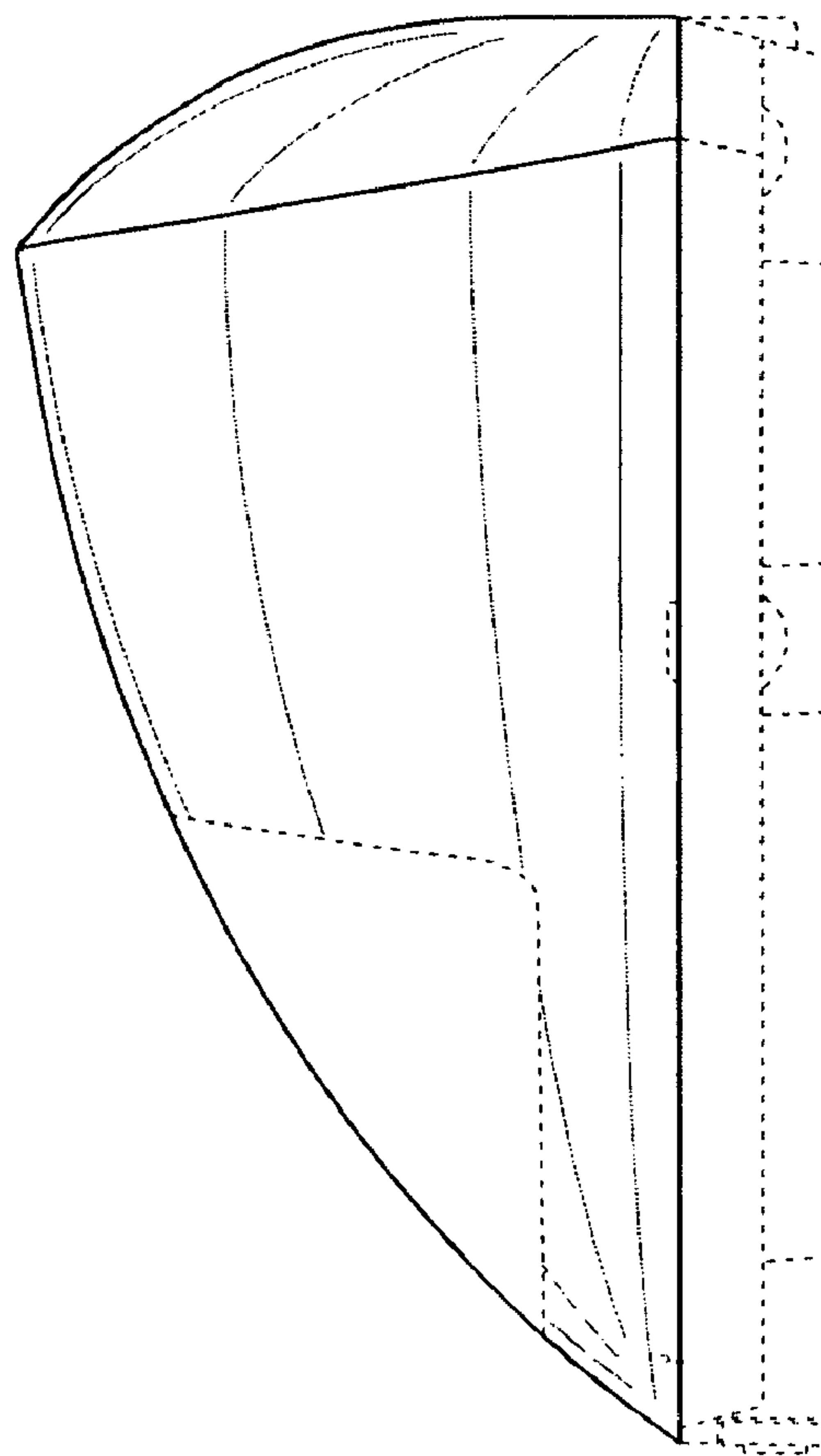


Fig. 7