



US00D565232S

(12) **United States Design Patent**  
**Butler**

(10) **Patent No.:** **US D565,232 S**

(45) **Date of Patent:** **\*\* Mar. 25, 2008**

(54) **LUMINAIRE**

(75) Inventor: **Doyle Scott Butler**, Dunwoody, GA (US)

(73) Assignee: **Acuity Brands, Inc.**, Atlanta, GA (US)

(\*\*) Term: **14 Years**

(21) Appl. No.: **29/249,202**

(22) Filed: **Sep. 26, 2006**

(51) **LOC (8) Cl.** ..... **26-03**

(52) **U.S. Cl.** ..... **D26/85**

(58) **Field of Classification Search** ..... D26/72,  
D26/85-92; 362/147, 431, 432, 362, 155-157  
See application file for complete search history.

(56) **References Cited**

**U.S. PATENT DOCUMENTS**

- D195,875 S \* 8/1963 Saporito et al. .... D26/87
- D214,938 S \* 8/1969 Pettengill ..... D26/85
- D222,117 S \* 9/1971 Baatz ..... D25/102
- D319,319 S \* 8/1991 Von Kluck ..... D26/85
- D346,869 S \* 5/1994 Houssian ..... D26/26
- D484,633 S \* 12/2003 Campagna ..... D26/72
- D487,529 S \* 3/2004 Kowitz ..... D26/157

D525,386 S \* 7/2006 McCarthy, III ..... D26/85  
2005/0270770 A1 \* 12/2005 Warrender et al. .... 362/157

\* cited by examiner

*Primary Examiner*—Clare E Heflin

(74) *Attorney, Agent, or Firm*—Needle & Rosenberg, P.C.

(57) **CLAIM**

The ornamental design for a luminaire, as shown and described.

**DESCRIPTION**

FIG. 1 is a top perspective view of a luminaire of the present invention;

FIG. 2 is a bottom perspective view of the luminaire of FIG. 1;

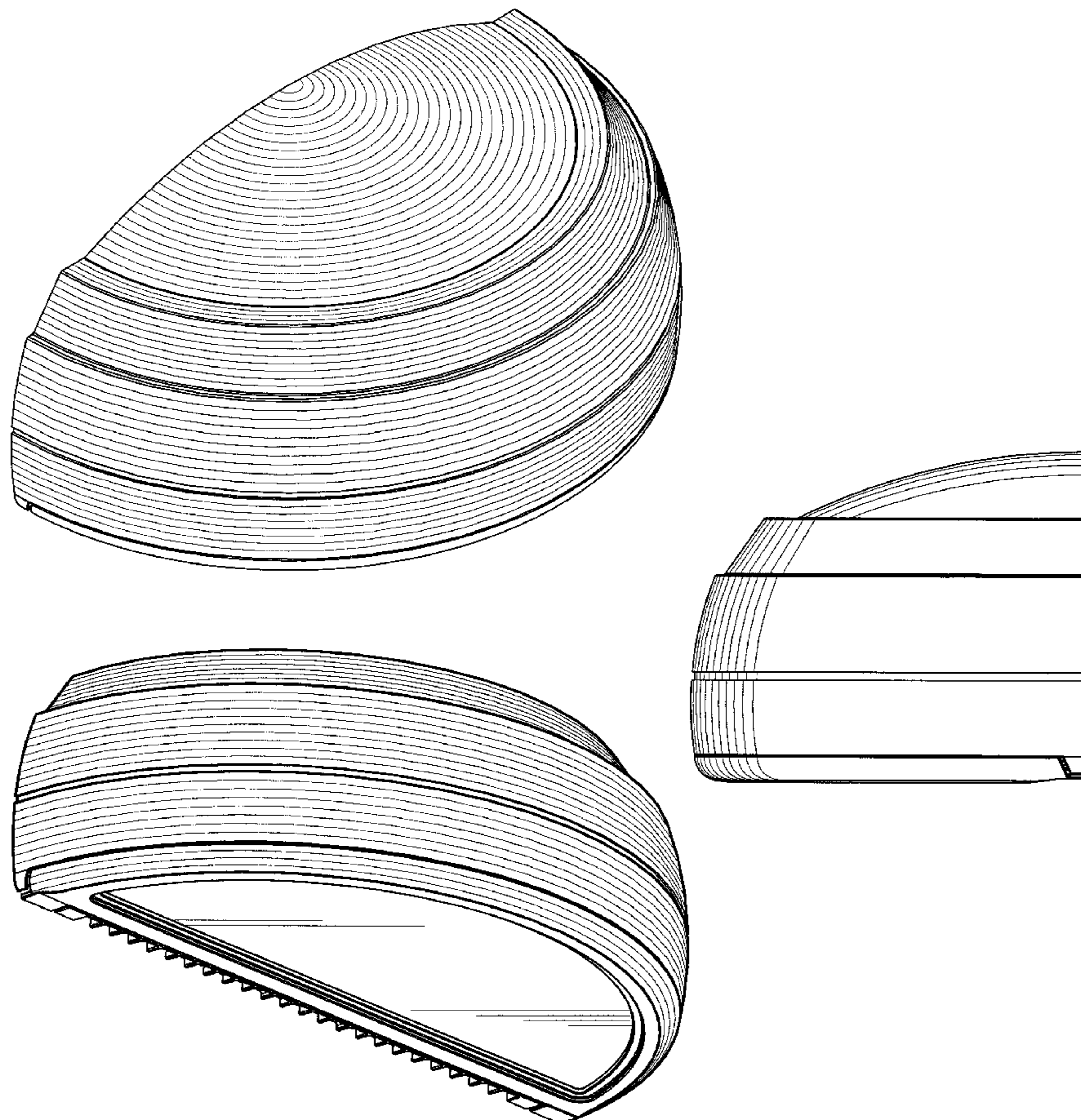
FIG. 3 is a top plan view of the luminaire of FIG. 1;

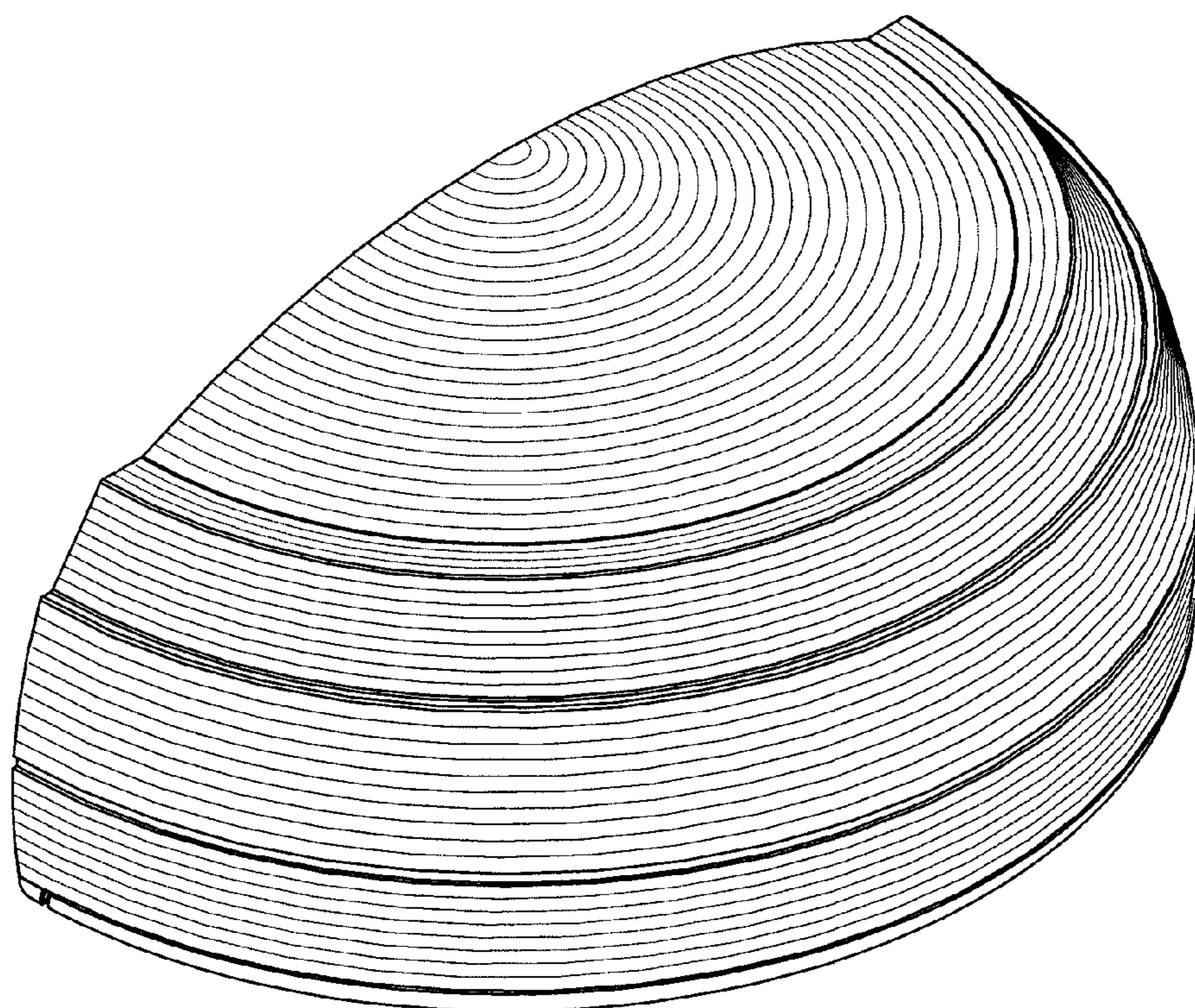
FIG. 4 is a bottom plan view of the luminaire of FIG. 1;

FIG. 5 is a front elevational view of the luminaire of FIG. 1; and,

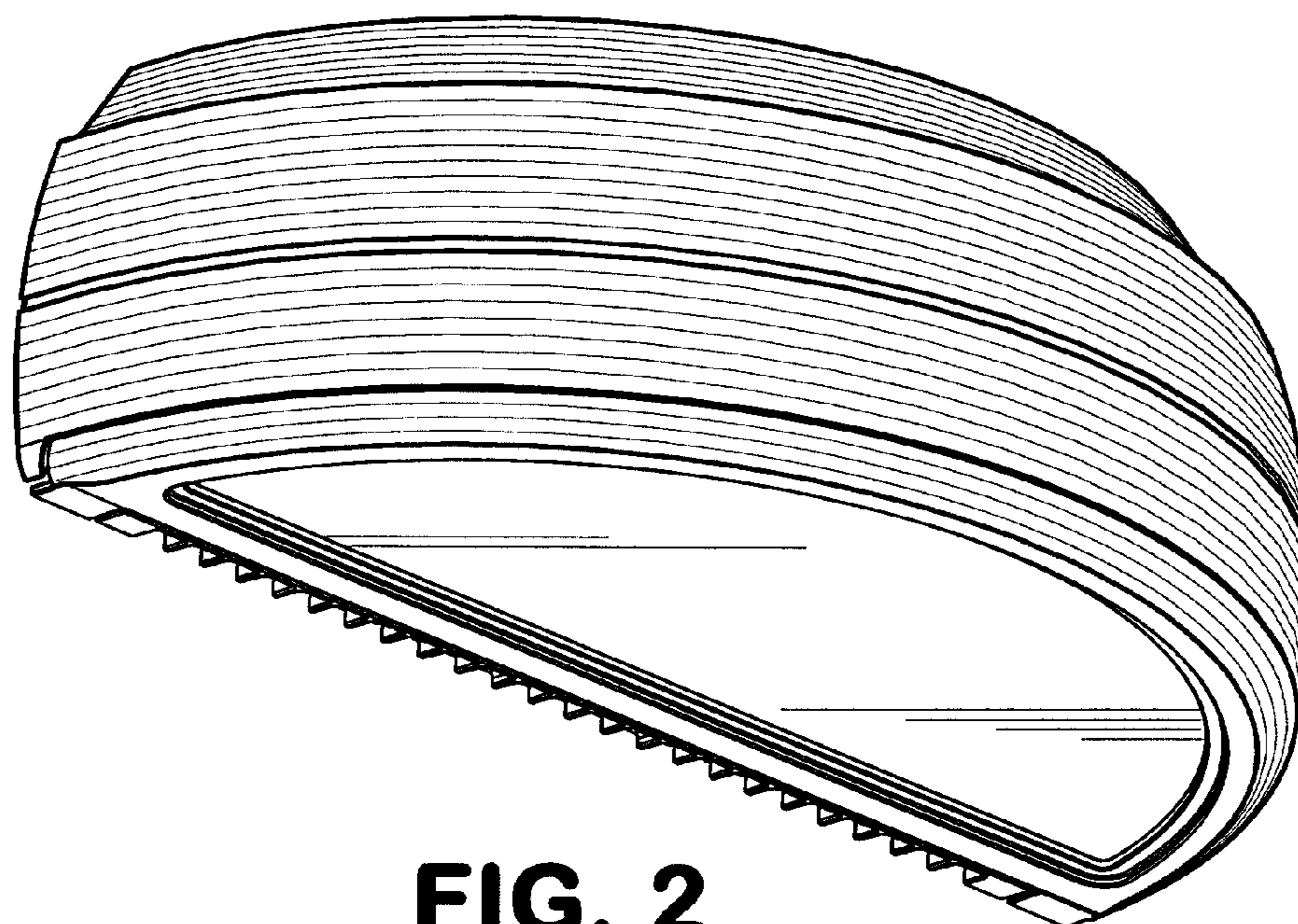
FIG. 6 is a right side elevational view of the luminaire of FIG. 1; the left, opposite, side of which is a mirror image thereof.

**1 Claim, 3 Drawing Sheets**

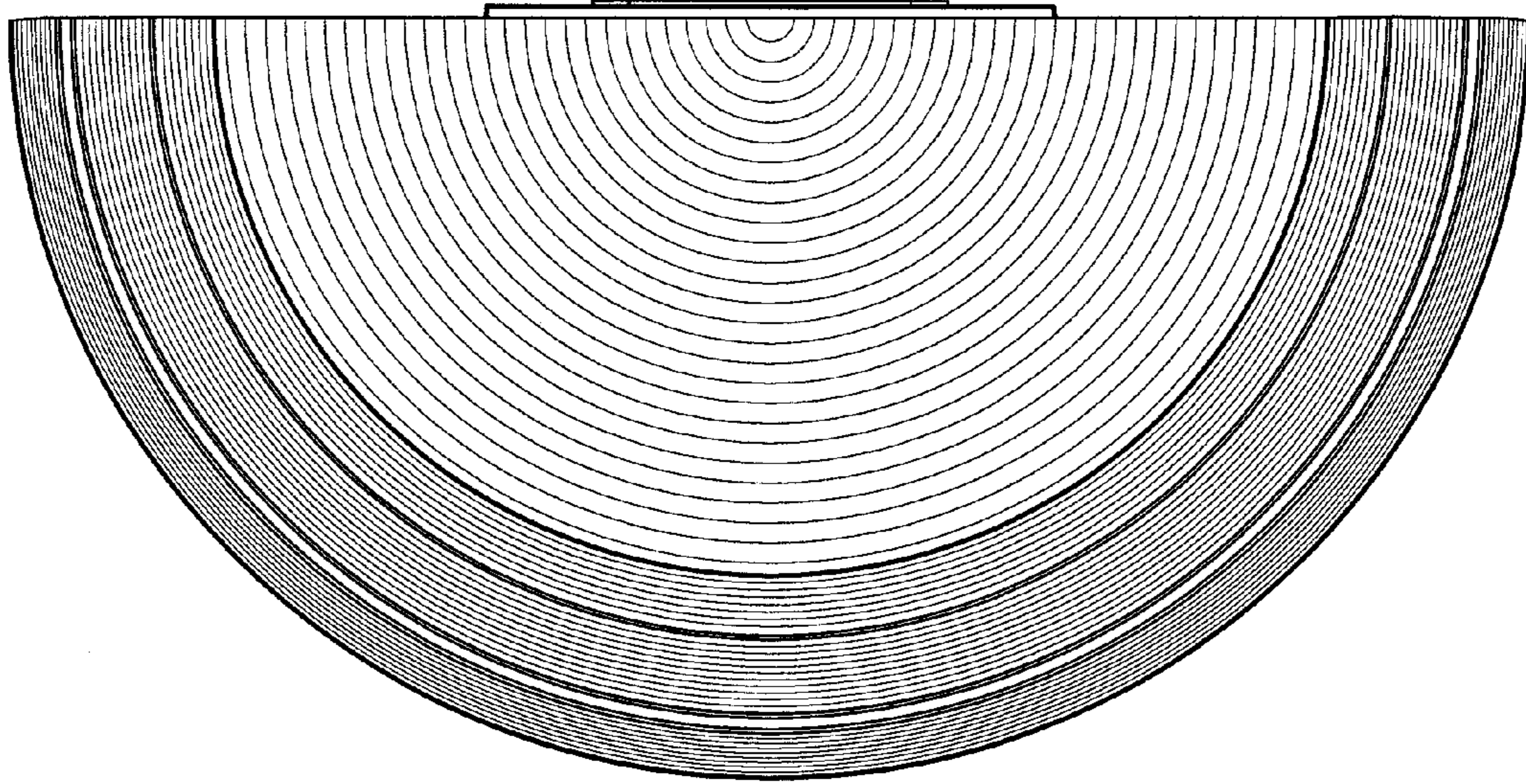




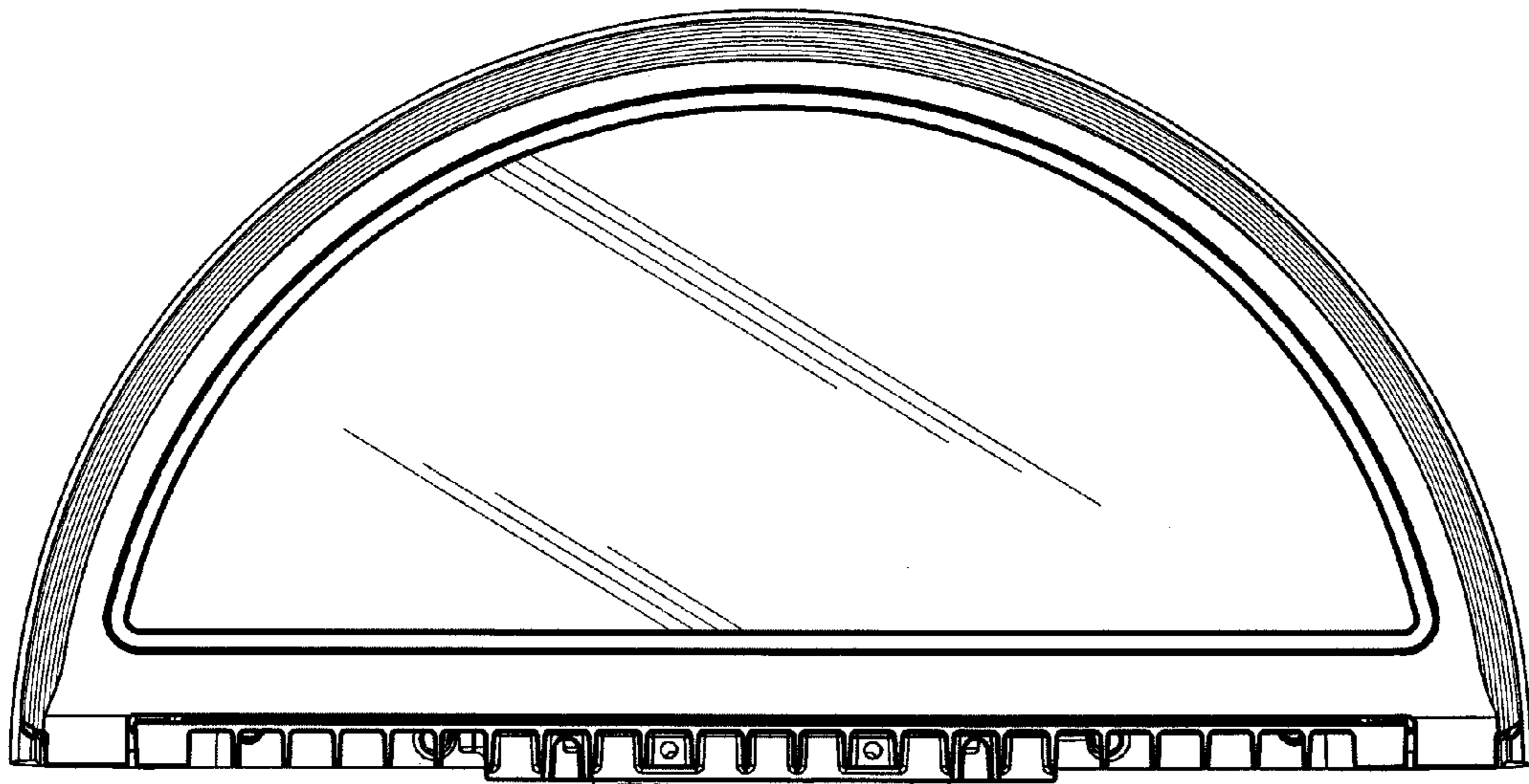
**FIG. 1**



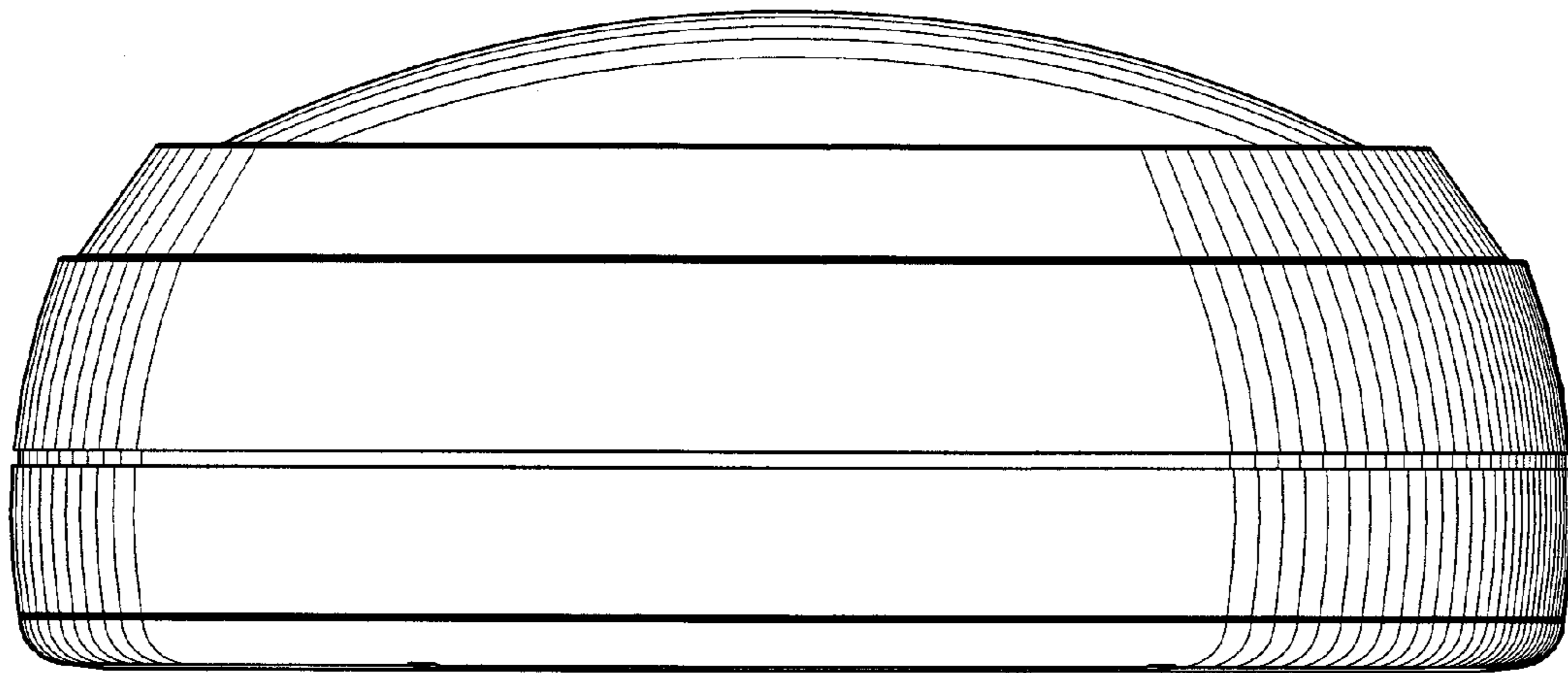
**FIG. 2**



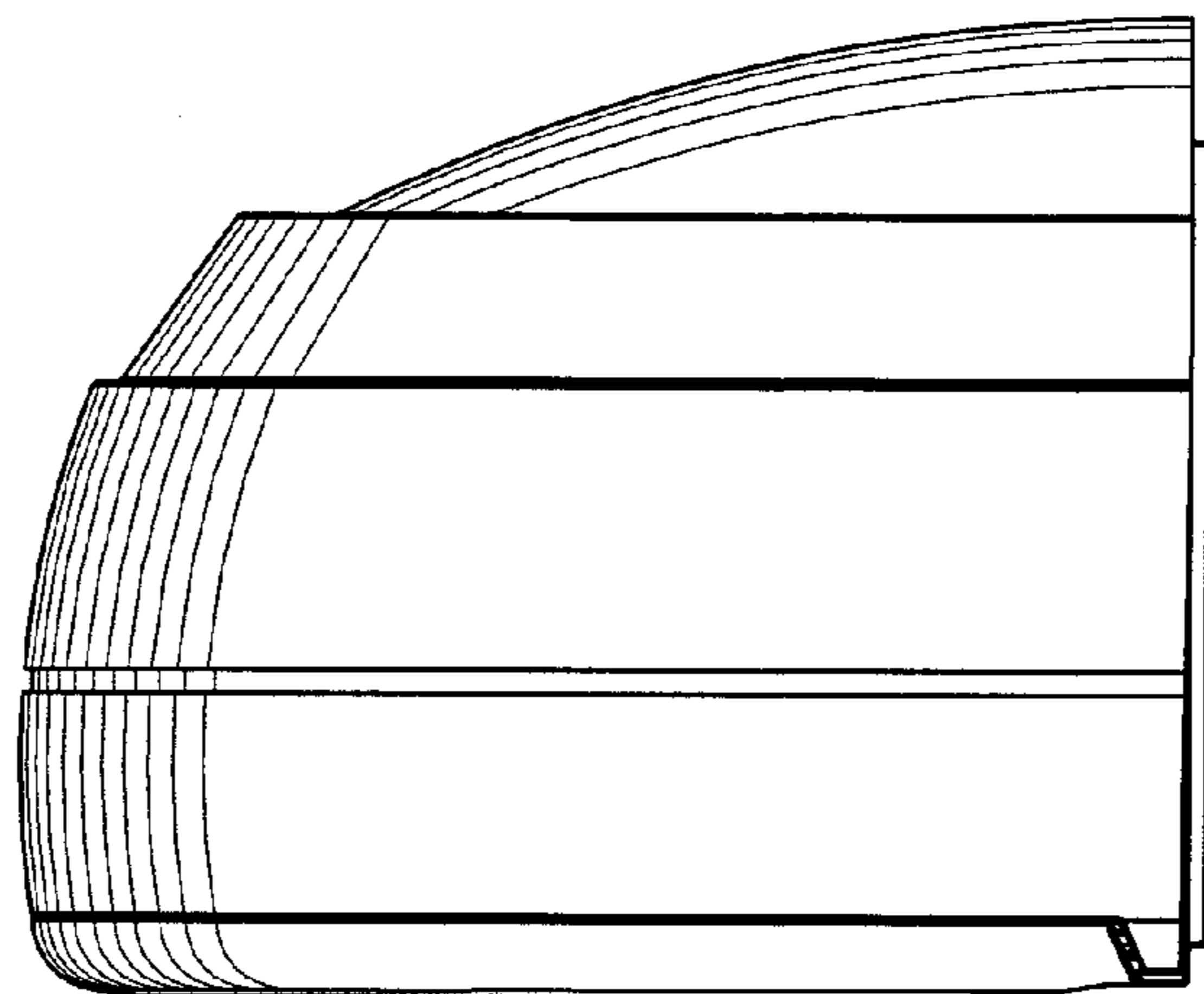
**FIG. 3**



**FIG. 4**



**FIG. 5**



**FIG. 6**