

US00D565227S

(12) **United States Design Patent**
Haugaard et al.

(10) **Patent No.:** **US D565,227 S**
(45) **Date of Patent:** **** Mar. 25, 2008**

(54) **LIGHT FIXTURE WITH EXTENDED ARM MOUNTING**

D531,342 S * 10/2006 Kauffman et al. D26/68
2004/0196653 A1* 10/2004 Clark et al. 362/183

(75) Inventors: **Eric J. Haugaard**, Kenosha, WI (US);
Russell S. Schultz, Racine, WI (US)

OTHER PUBLICATIONS

U.S. Appl. No. 29/259,586, filed May 11, 2006, Haugaard et al.
U.S. Appl. No. 29/259,587, filed May 11, 2006, Haugaard et al.

(73) Assignee: **Ruud Lighting, Inc.**, Racine, WI (US)

* cited by examiner

(**) Term: **14 Years**

Primary Examiner—Clare E Heflin

(21) Appl. No.: **29/259,585**

(74) *Attorney, Agent, or Firm*—Jansson Shupe & Munger Ltd.

(22) Filed: **May 11, 2006**

(57) **CLAIM**

(51) **LOC (8) Cl.** **26-05**

The ornamental design for a light fixture with extended arm mounting, as shown and described.

(52) **U.S. Cl.** **D26/71; D26/92**

(58) **Field of Classification Search** D26/60,
D26/67-72, 75-78, 85, 24; 362/102, 240,
362/157-159, 183, 101, 431, 367

DESCRIPTION

See application file for complete search history.

FIG. 1 is a top perspective view.

(56) **References Cited**

FIG. 2 is a top plan view.

U.S. PATENT DOCUMENTS

FIG. 3 is a bottom plan view.

D170,877 S *	11/1953	Loehr	D26/71
D201,909 S *	8/1965	Harling	D26/71
5,386,354 A *	1/1995	Osteen	362/258
5,918,970 A *	7/1999	Brohard et al.	362/370
D439,695 S *	3/2001	Compton et al.	D26/87
D501,057 S *	1/2005	Haugaard et al.	D26/71
D501,946 S *	2/2005	Haugaard et al.	D26/71
D501,947 S *	2/2005	Haugaard et al.	D26/71
D502,283 S *	2/2005	Haugaard et al.	D26/118

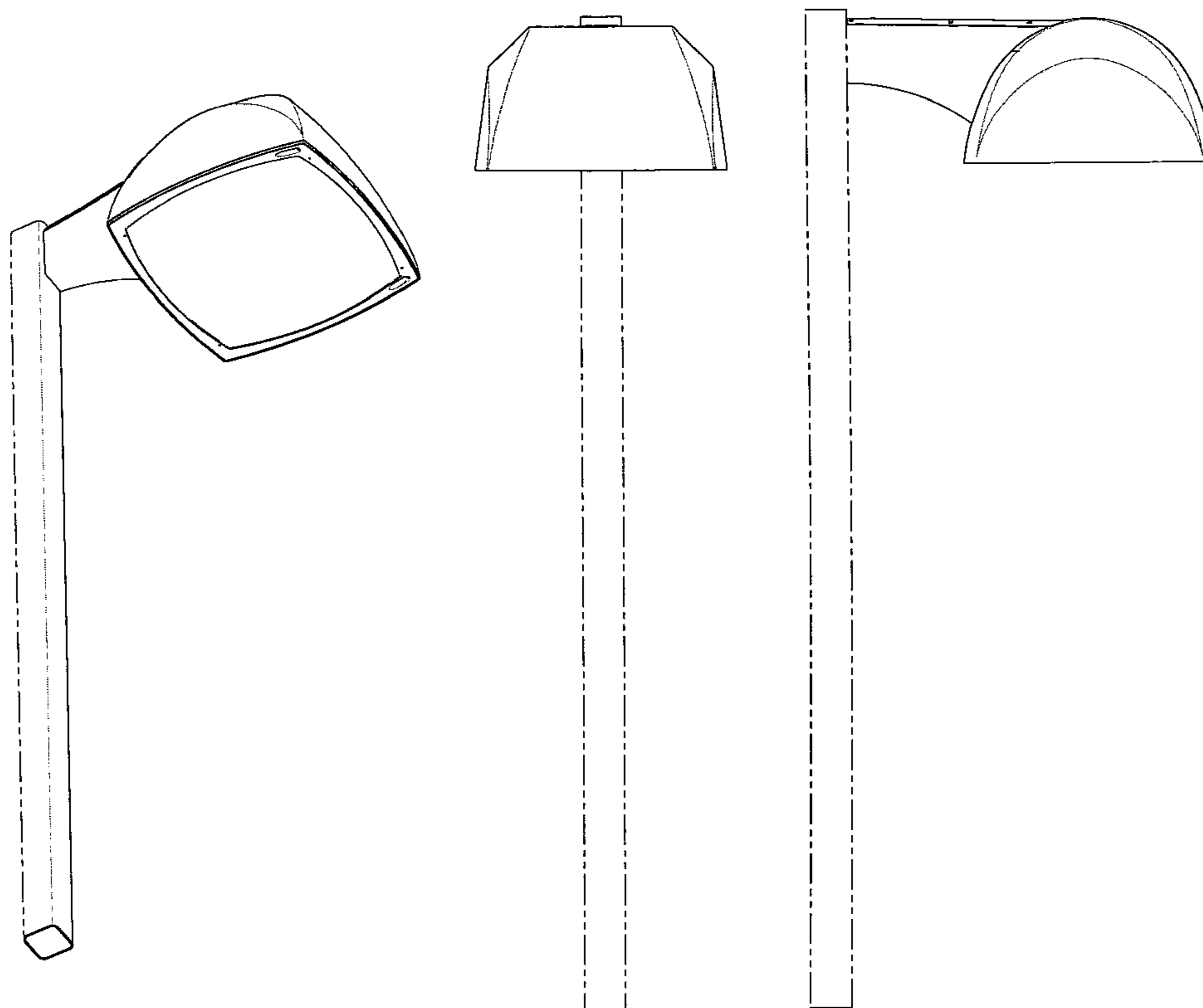
FIG. 4 is a bottom perspective view.

FIG. 5 is a right side elevation view, the left side being a mirror image; and,

FIG. 6 is a front elevation view.

The broken lines are provided for illustrative purposes only and form no part of the claimed design.

1 Claim, 4 Drawing Sheets



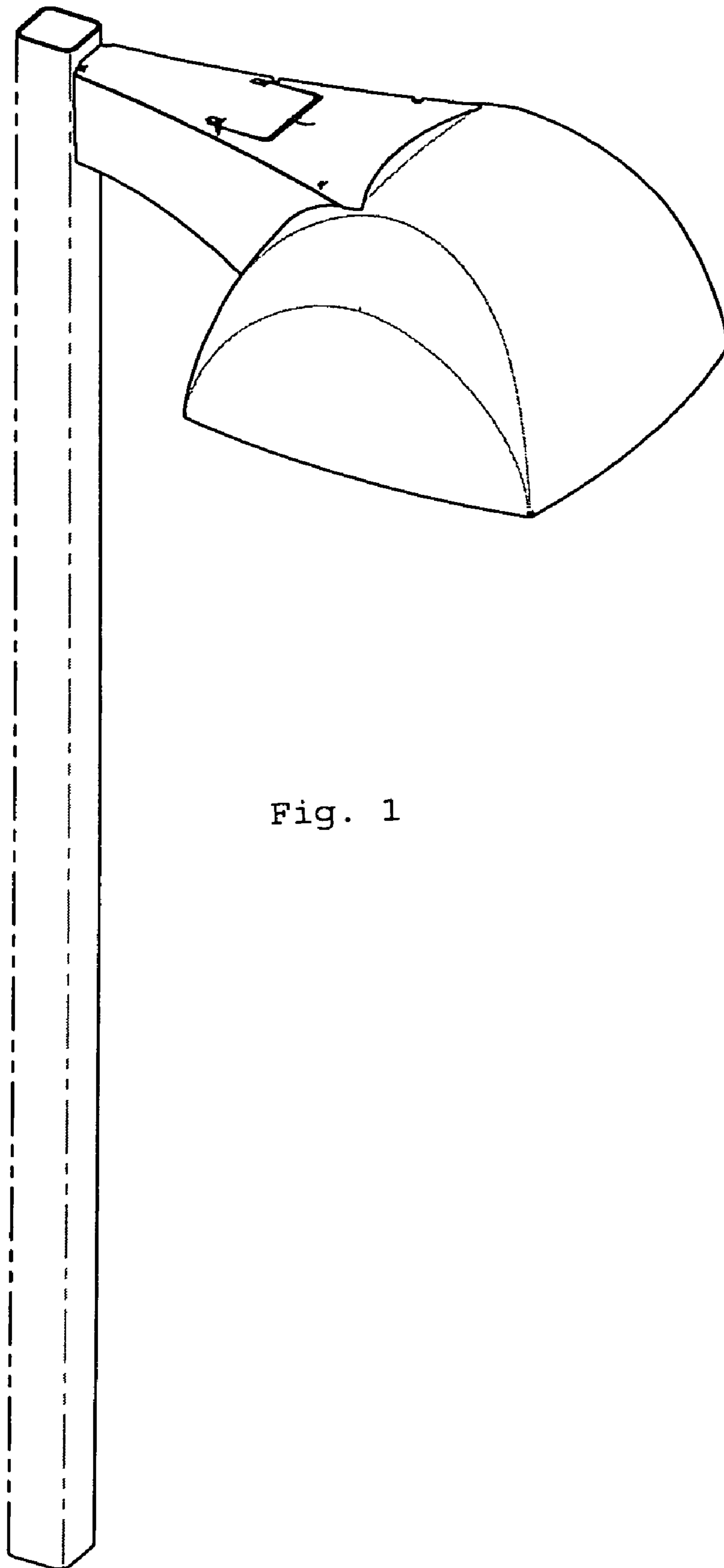


Fig. 1

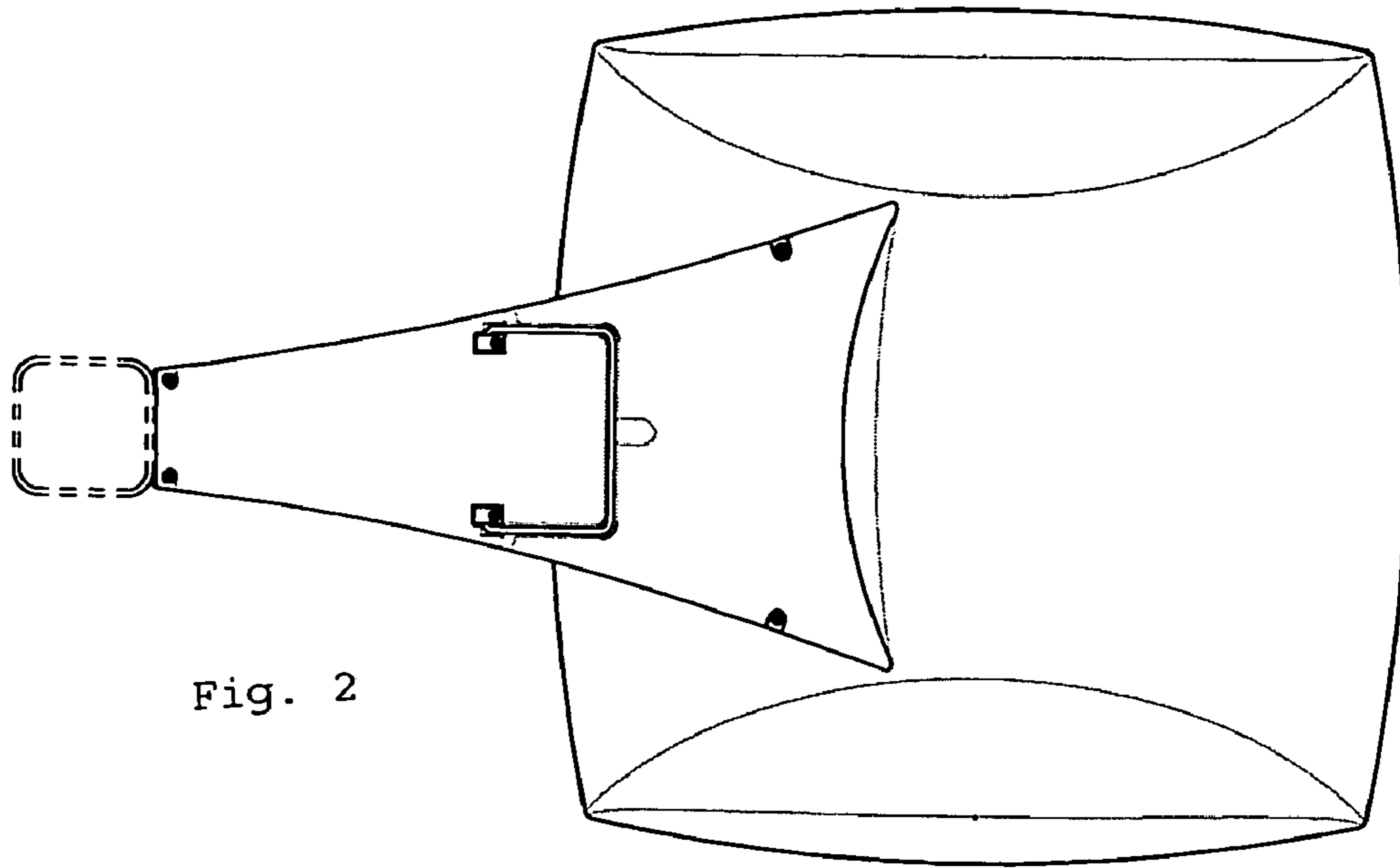


Fig. 2

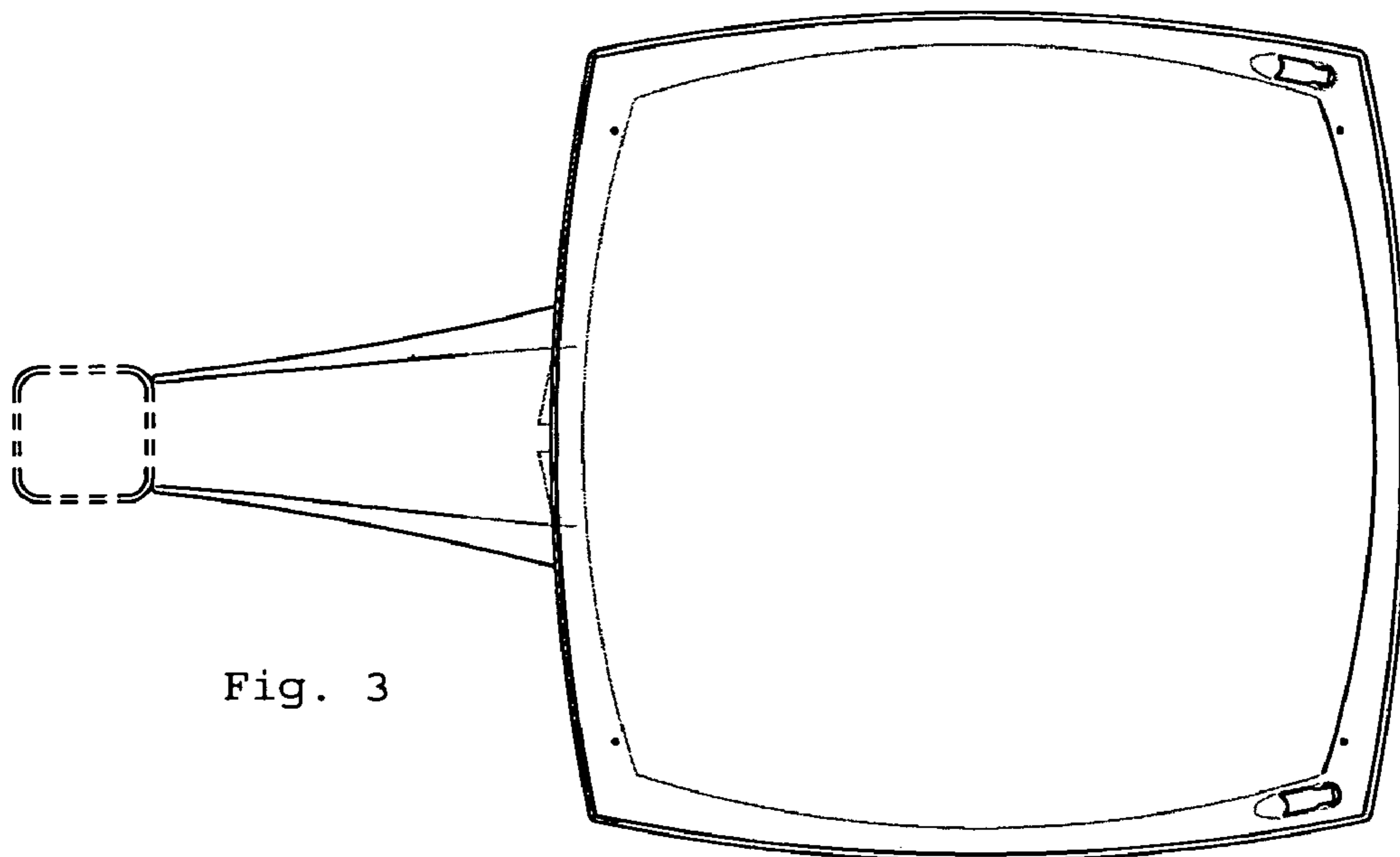


Fig. 3

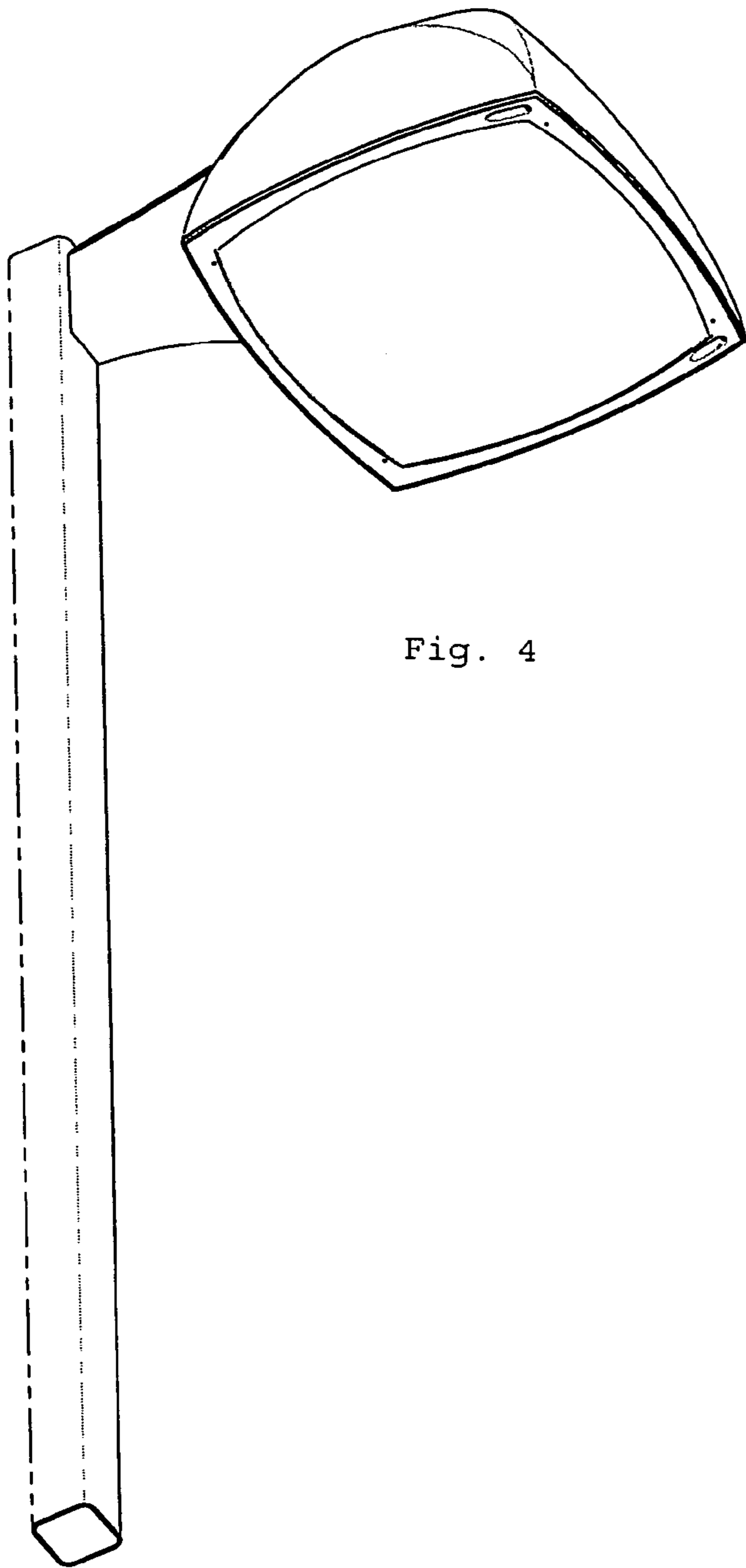


Fig. 4

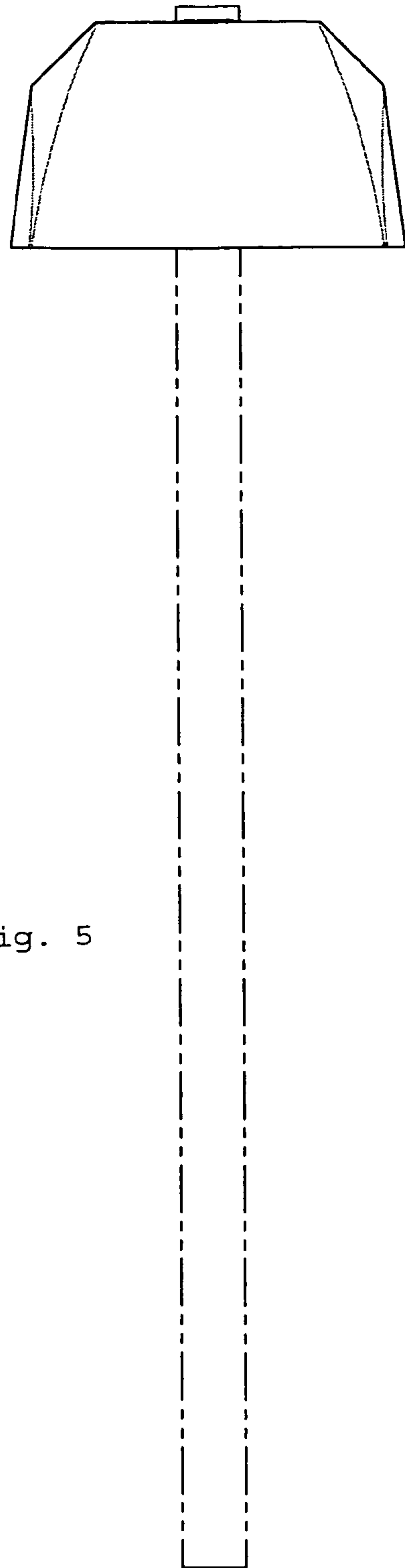


Fig. 5

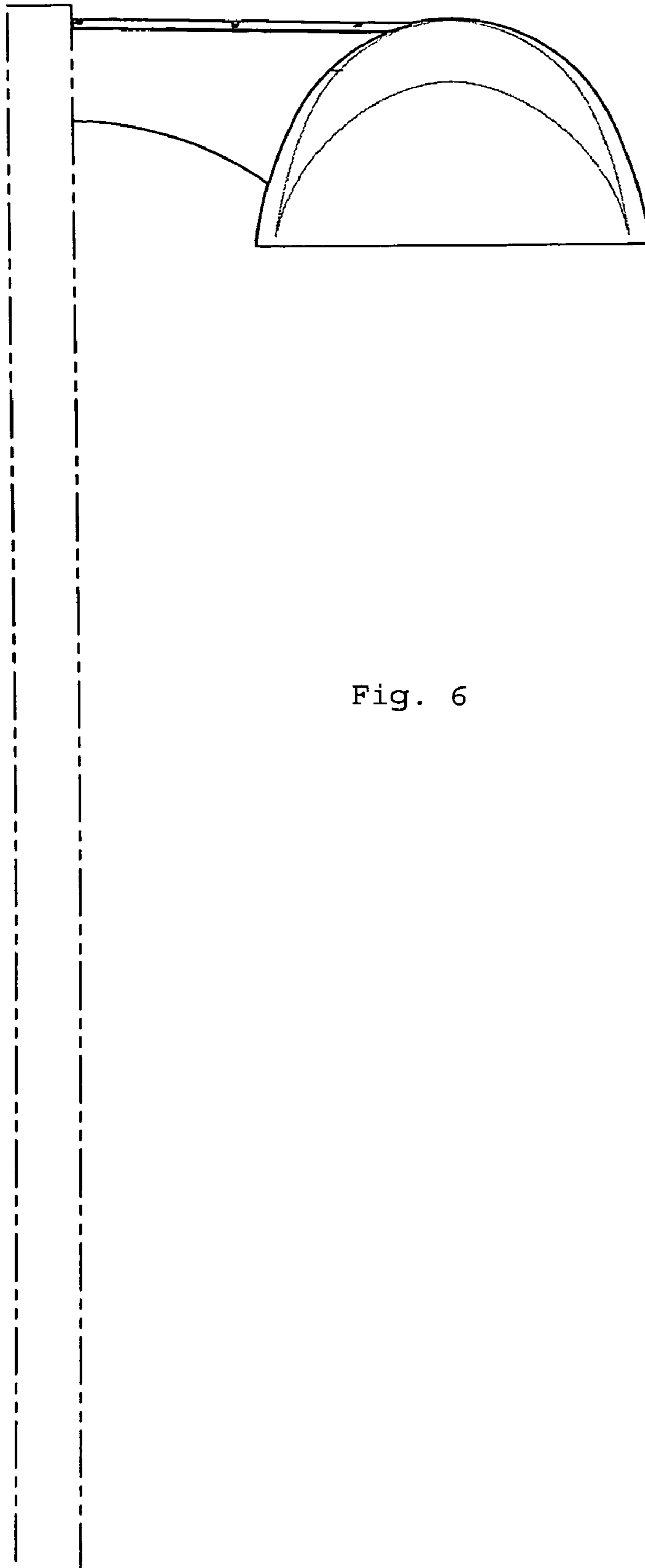


Fig. 6