

US00D565226S

(12) **United States Design Patent**  
**Gou**

(10) **Patent No.:** **US D565,226 S**  
(45) **Date of Patent:** **\*\* Mar. 25, 2008**

(54) **LIGHT FIXTURE**

D529,656 S \* 10/2006 Wen ..... D26/68

(75) Inventor: **Jun Gou**, Guangzhou (CN)

\* cited by examiner

(73) Assignee: **Guangzhou Fapu Electronic and Technology Co., Ltd.**, Guangzhou (CN)

*Primary Examiner*—Clare E Heflin  
(74) *Attorney, Agent, or Firm*—Shawn Hunter

(\*\*) Term: **14 Years**

(57) **CLAIM**

(21) Appl. No.: **29/267,279**

The ornamental design for a light fixture, as shown and described.

(22) Filed: **Oct. 11, 2006**

**DESCRIPTION**

(51) **LOC (8) Cl.** ..... **26-05**

(52) **U.S. Cl.** ..... **D26/67; D26/40**

(58) **Field of Classification Search** ..... D26/40,  
D26/67, 68, 72, 85, 87, 92; 362/152, 157,  
362/180, 183, 185, 186, 431

See application file for complete search history.

FIG. 1 is a perspective view of the light fixture according to the present invention.

FIG. 2 is a front view of the light fixture according to the present invention.

FIG. 3 is a side view of the light fixture according to the present invention.

FIG. 4 is a top view of the light fixture according to the present invention; and,

FIG. 5 is a bottom view of the light fixture according to the present invention.

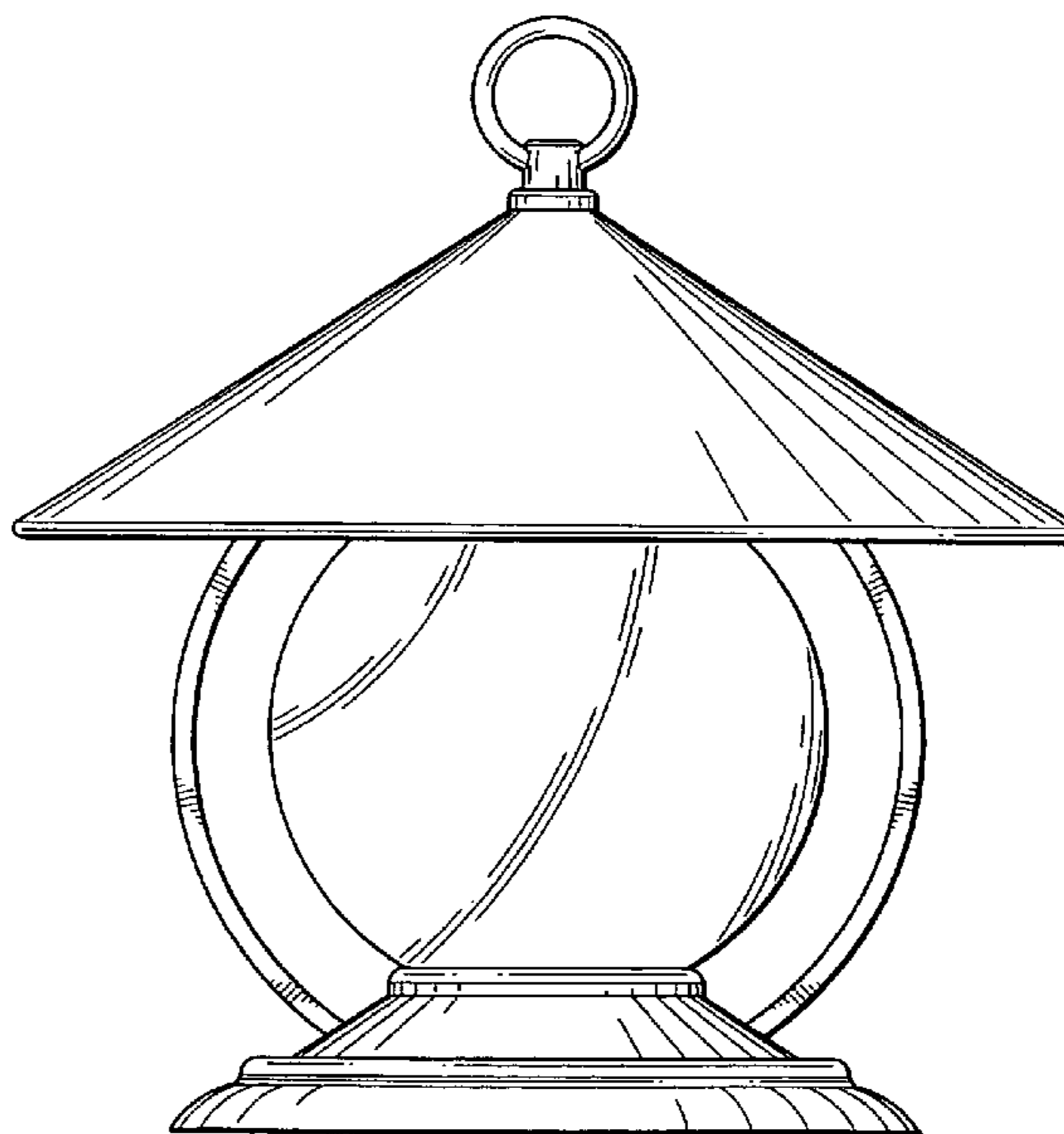
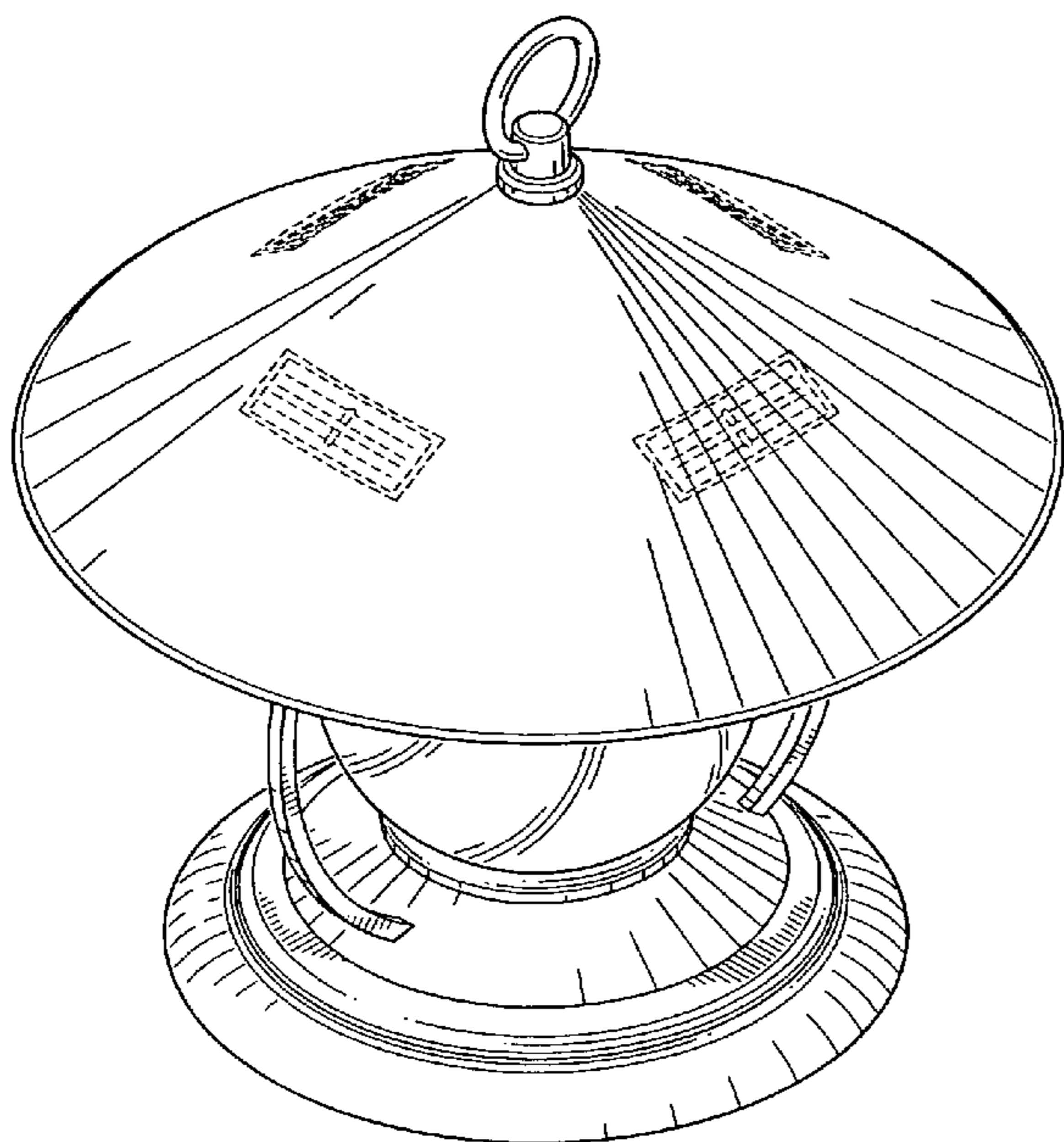
The broken lines shown on the drawings are for illustrative purposes only and form no part of the claimed design.

(56) **References Cited**

**U.S. PATENT DOCUMENTS**

RE295 E *	1/1855	Booth	.....	362/180
D37,742 S *	12/1905	Davis	.....	D26/68
D174,139 S *	3/1955	Sadler	.....	D26/68
D461,577 S *	8/2002	Cheong	.....	D26/67
D505,216 S *	5/2005	Chen	.....	D26/40
D509,312 S *	9/2005	Chen	.....	D26/67
D521,167 S *	5/2006	Krieger et al.	.....	D26/67

**1 Claim, 3 Drawing Sheets**



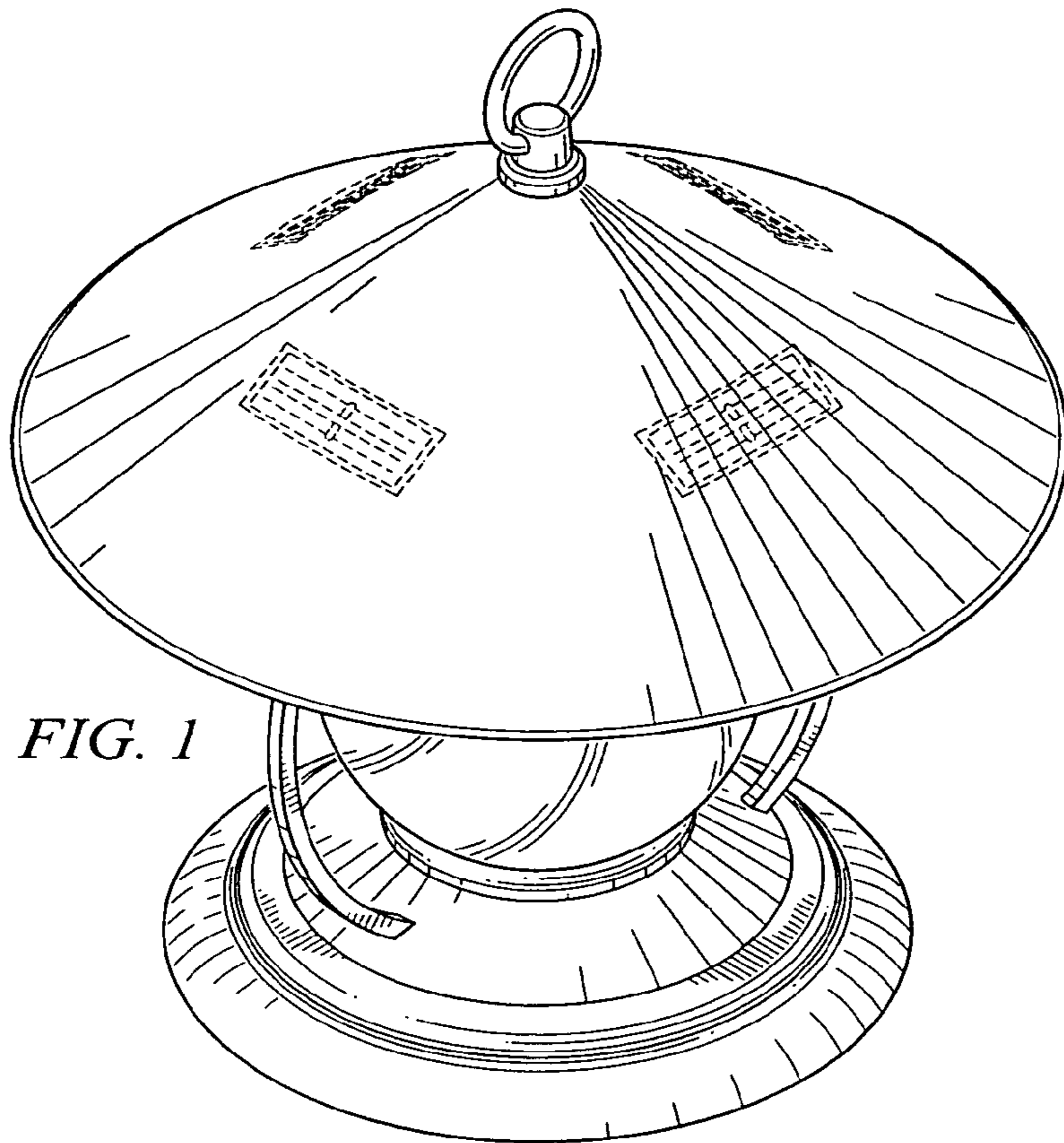


FIG. 1

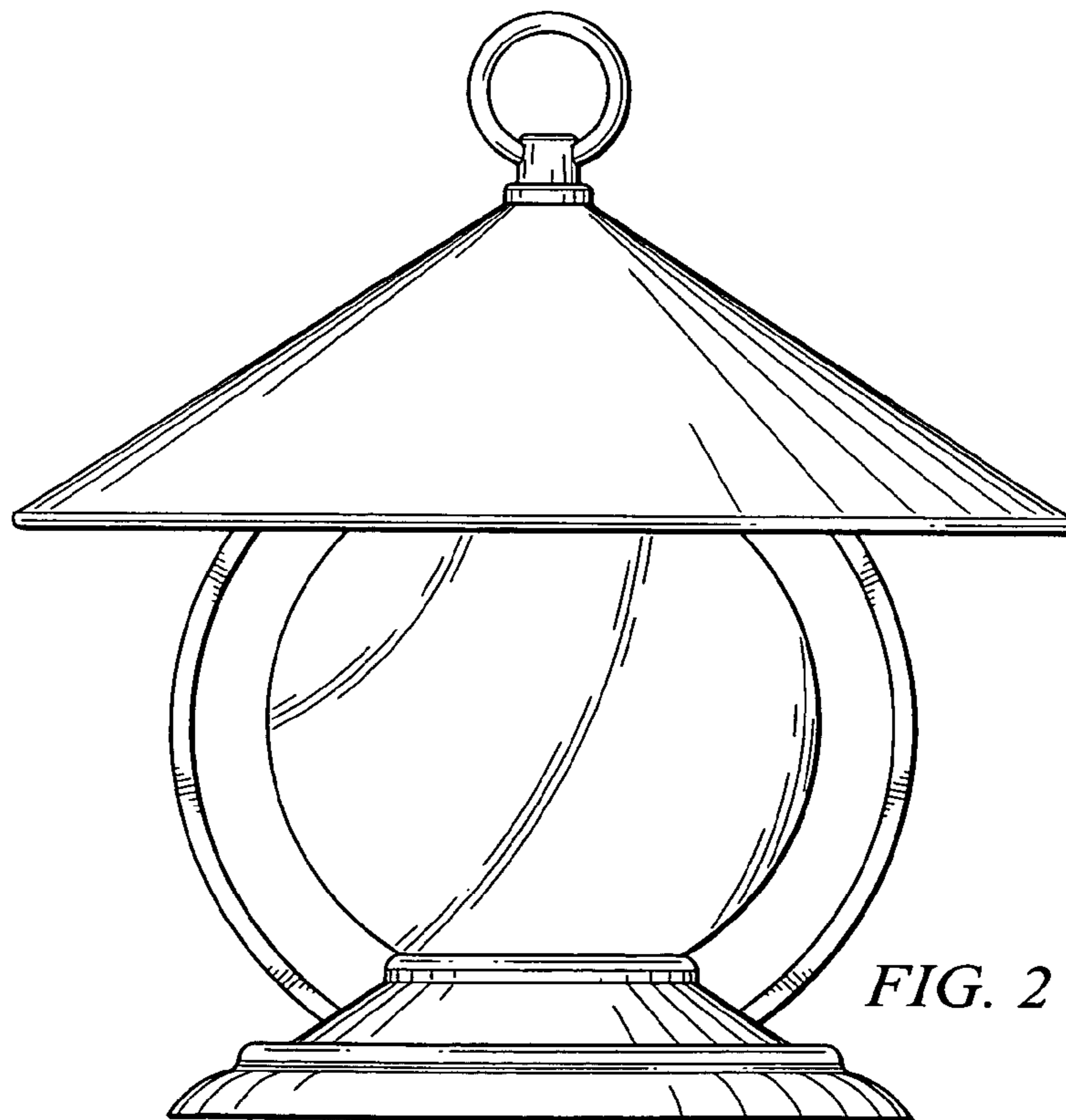
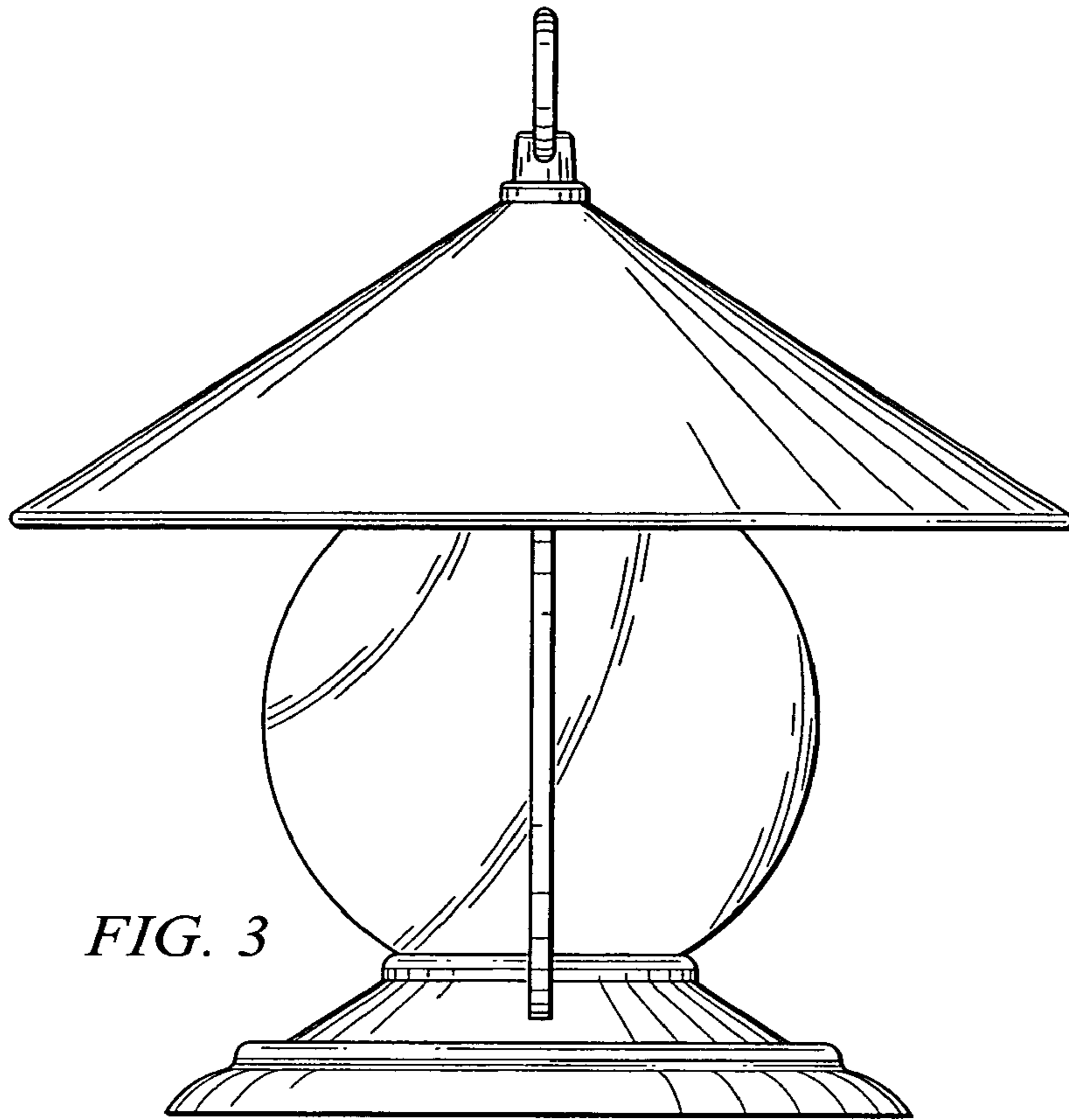
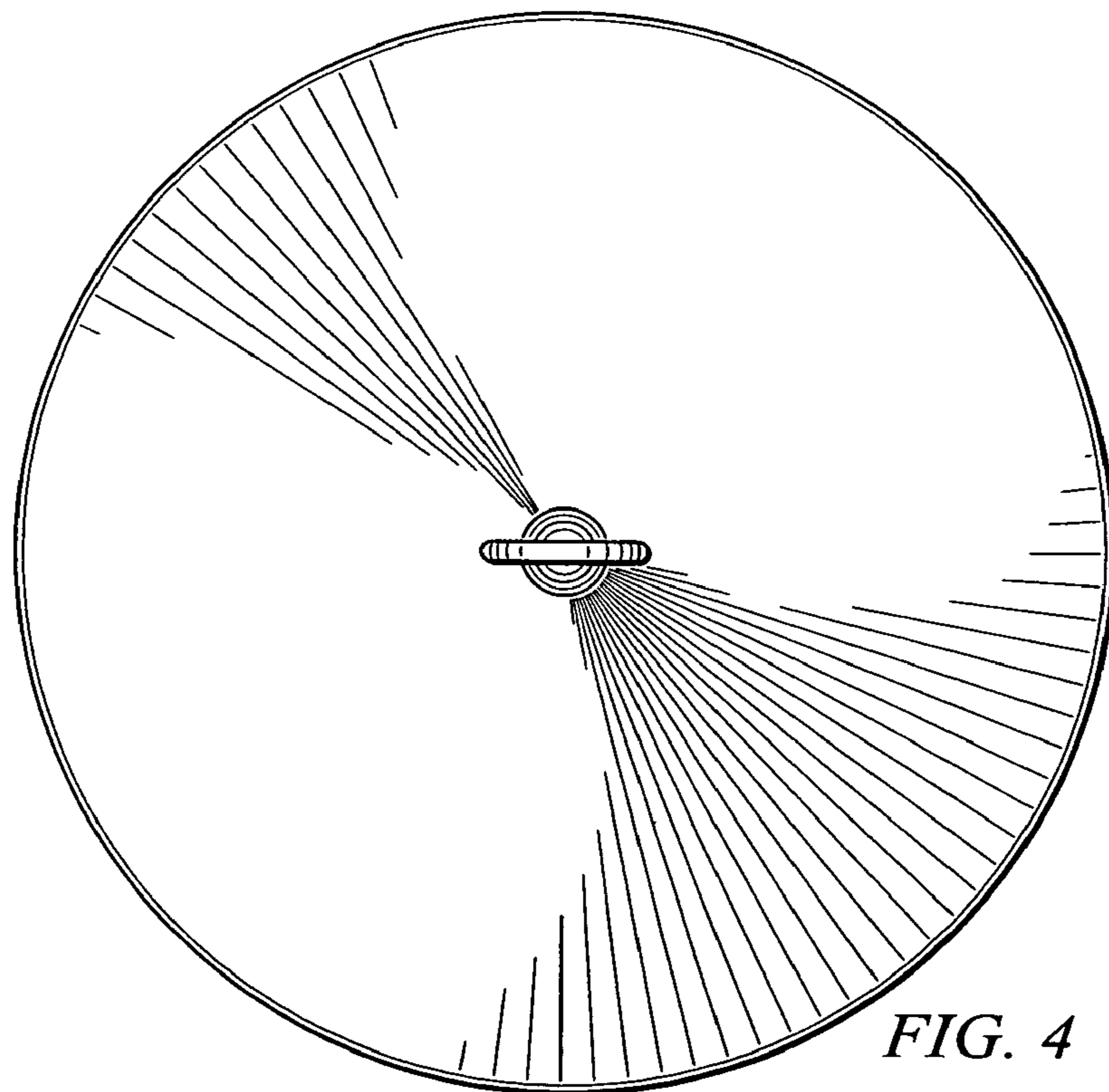


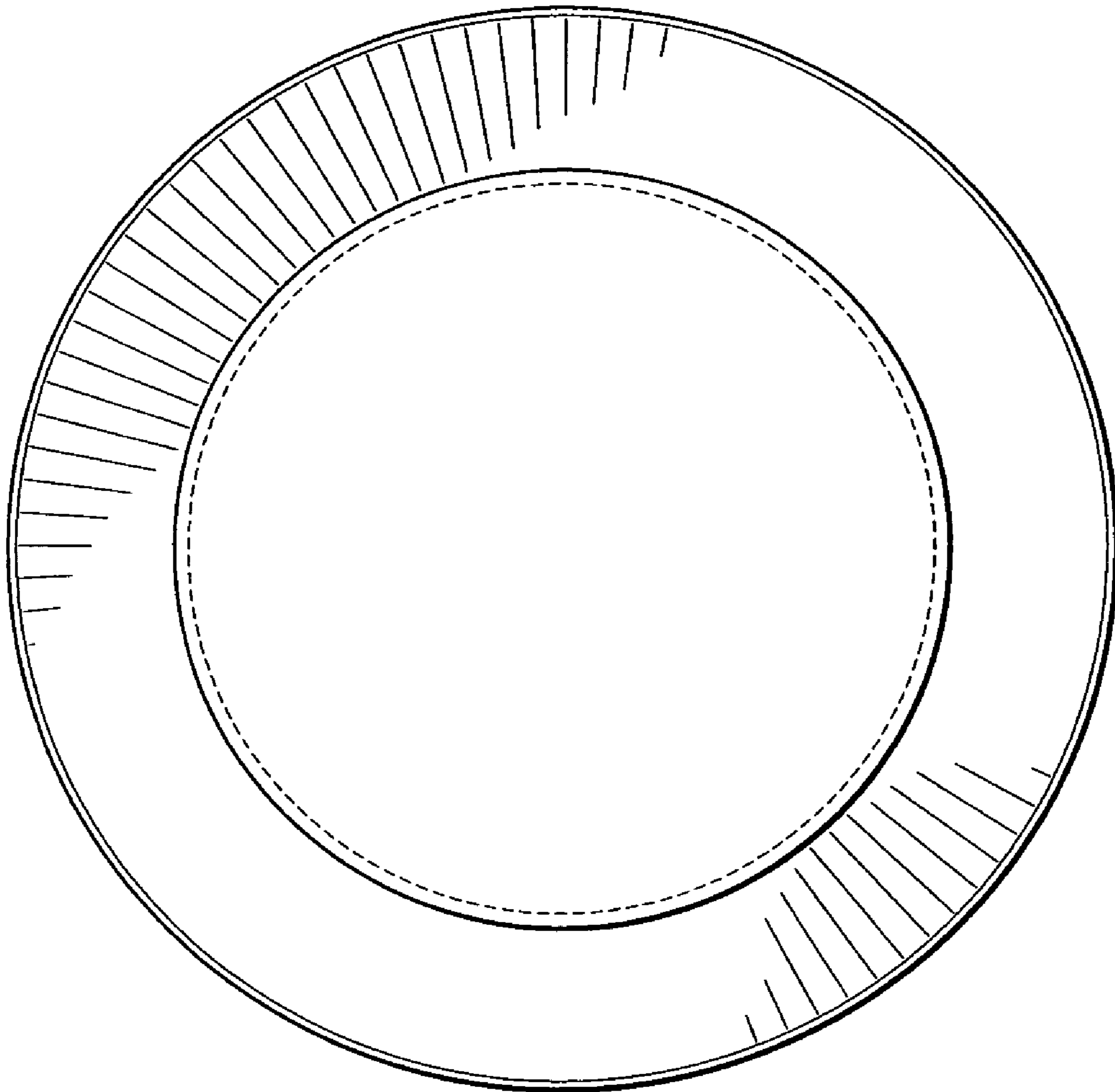
FIG. 2



*FIG. 3*



*FIG. 4*



*FIG. 5*