



US00D565224S

(12) **United States Design Patent**
Salatto-Rose

(10) **Patent No.:** **US D565,224 S**
(45) **Date of Patent:** **** Mar. 25, 2008**

(54) **ADJUSTABLE LAMP**

(75) Inventor: **Darlene Salatto-Rose**, Hickory, NC
(US)

(73) Assignee: **Robert Abbey, Inc.**, Hickory, NC (US)

(**) Term: **14 Years**

(21) Appl. No.: **29/283,741**

(22) Filed: **Aug. 22, 2007**

(51) **LOC (8) Cl.** **26-05**

(52) **U.S. Cl.** **D26/65**

(58) **Field of Classification Search** D26/60-66,
D26/93; 362/269, 275, 287, 410-414, 418,
362/419, 427, 401, 402

See application file for complete search history.

(56) **References Cited**

U.S. PATENT DOCUMENTS

3,543,019	A *	11/1970	Jacobsen	362/402
4,974,135	A *	11/1990	Wen-tsung	362/287
D325,647	S *	4/1992	Hwang	D26/63
D393,732	S *	4/1998	Rubenzler	D26/65
D442,311	S *	5/2001	Kao et al.	D26/65
D448,879	S *	10/2001	Wang	D26/65
D485,929	S *	1/2004	Cvek	D26/65
D525,382	S *	7/2006	Chen	D26/65

7,237,931	B2 *	7/2007	Chen	362/427
D556,355	S *	11/2007	Foster	D26/63
D556,356	S *	11/2007	Chen	D26/65

* cited by examiner

Primary Examiner—Cathron Brooks

Assistant Examiner—Barbara Fox

(74) *Attorney, Agent, or Firm*—Alston & Bird LLP

(57) **CLAIM**

The ornamental design for an adjustable lamp, substantially as shown.

DESCRIPTION

FIG. 1 is a perspective right side view of an adjustable lamp showing my new design;

FIG. 2 is a perspective right side view thereof adjusted to a different position;

FIG. 3 is a right side view of the adjustable lamp as shown in FIG. 1;

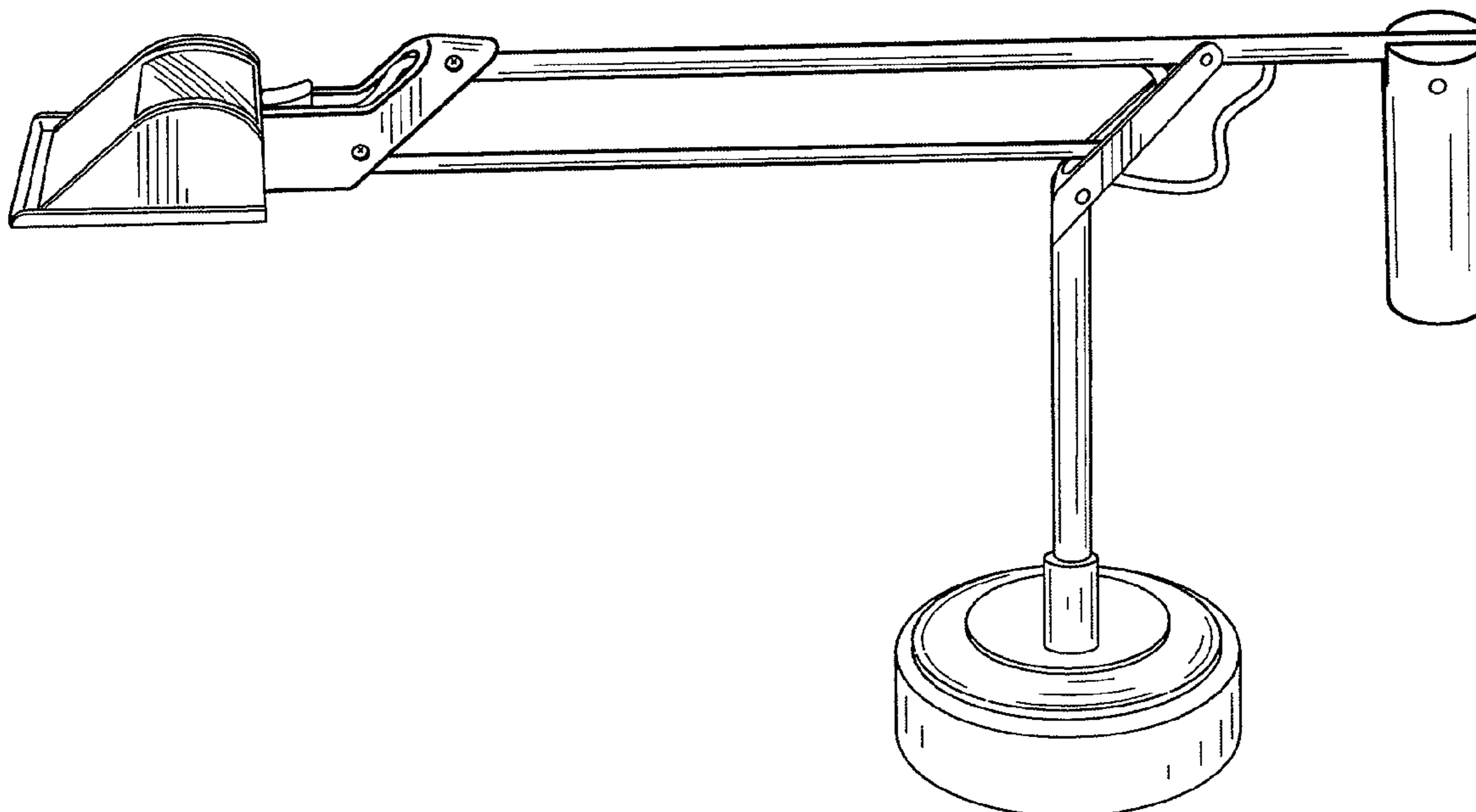
FIG. 4 is a left side view thereof;

FIG. 5 is a front view thereof;

FIG. 6 is a rear view thereof; and,

FIG. 7 is a top plan view thereof.

1 Claim, 6 Drawing Sheets



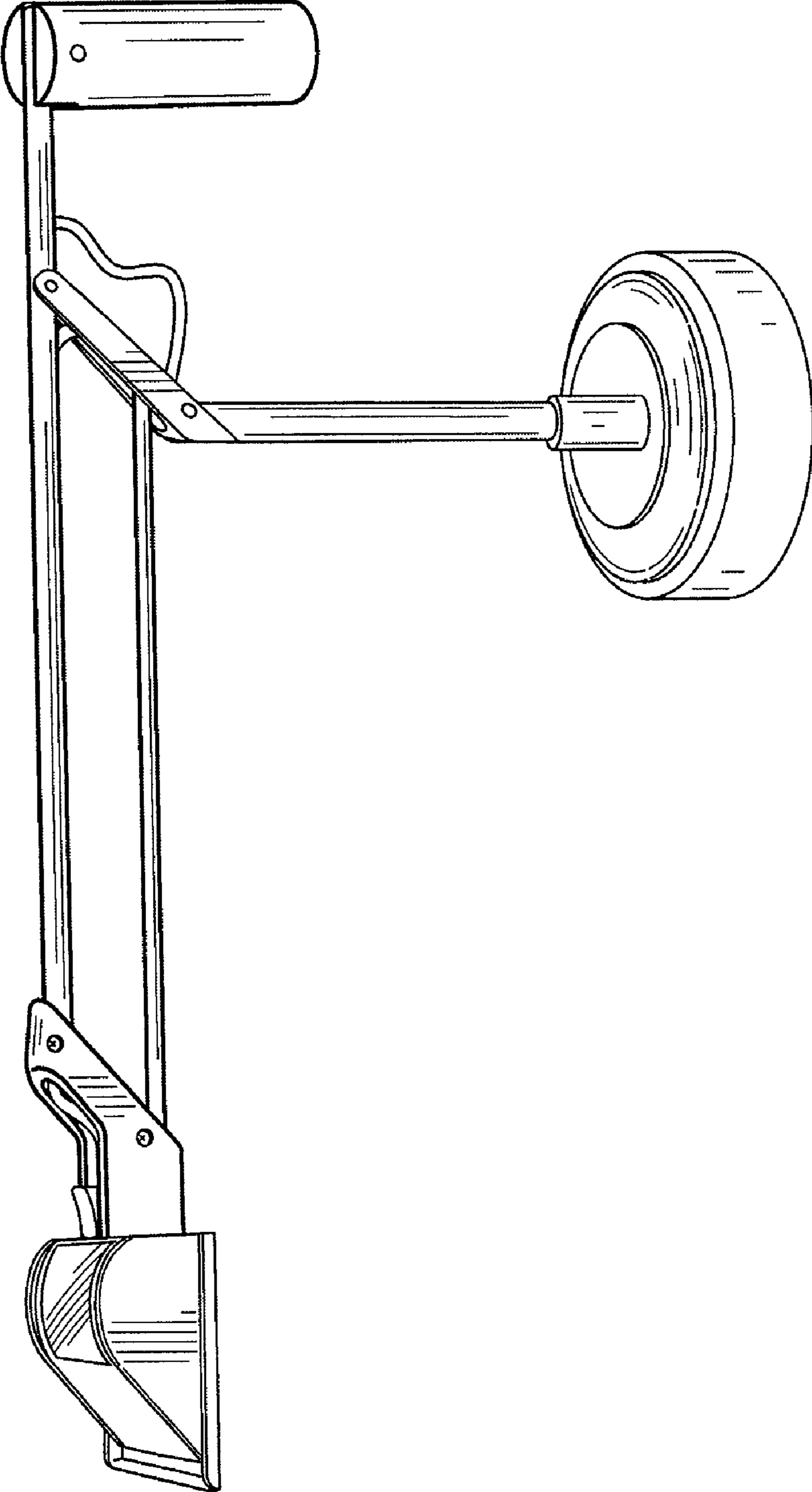


FIG. 1

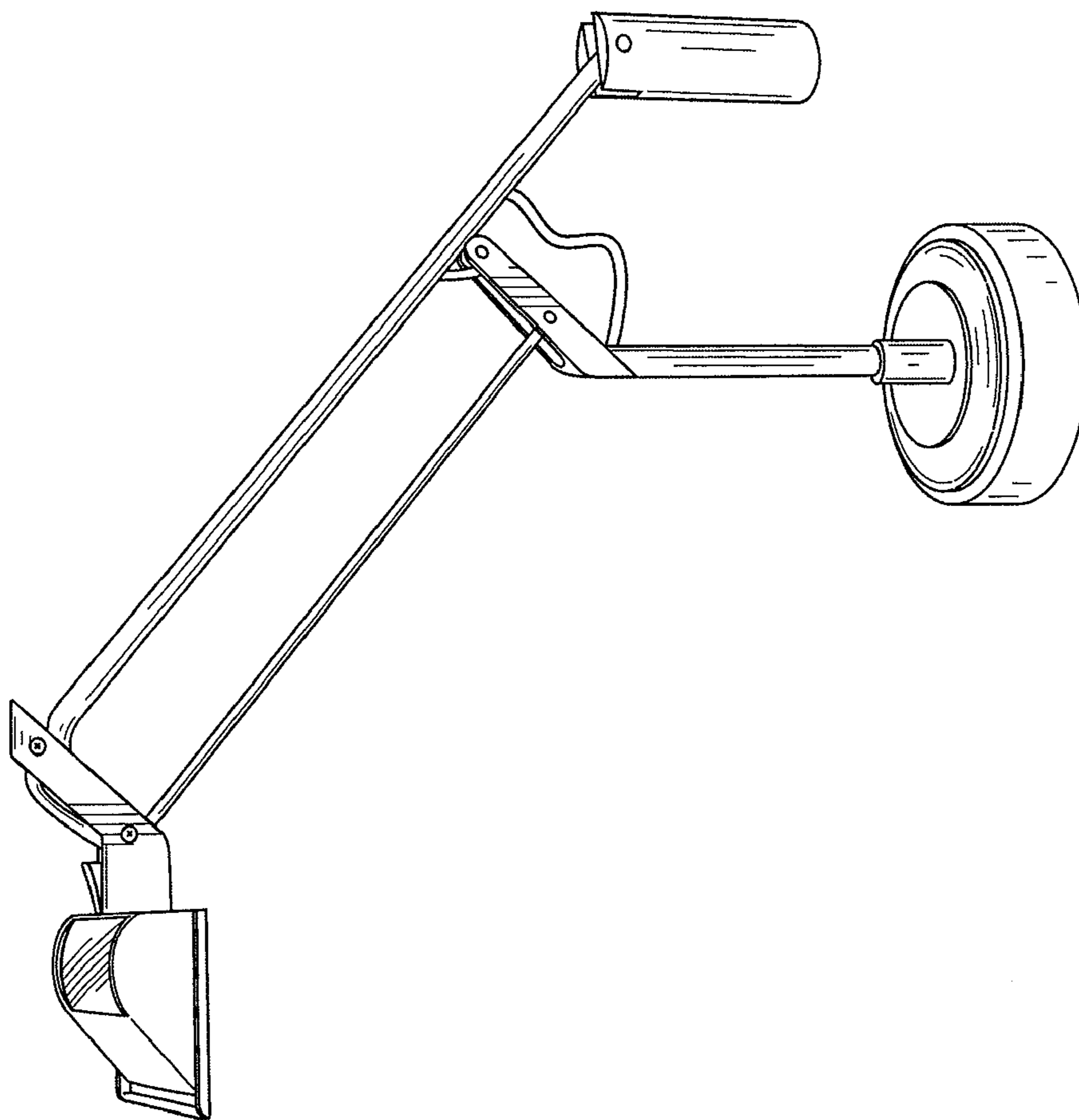


FIG. 2

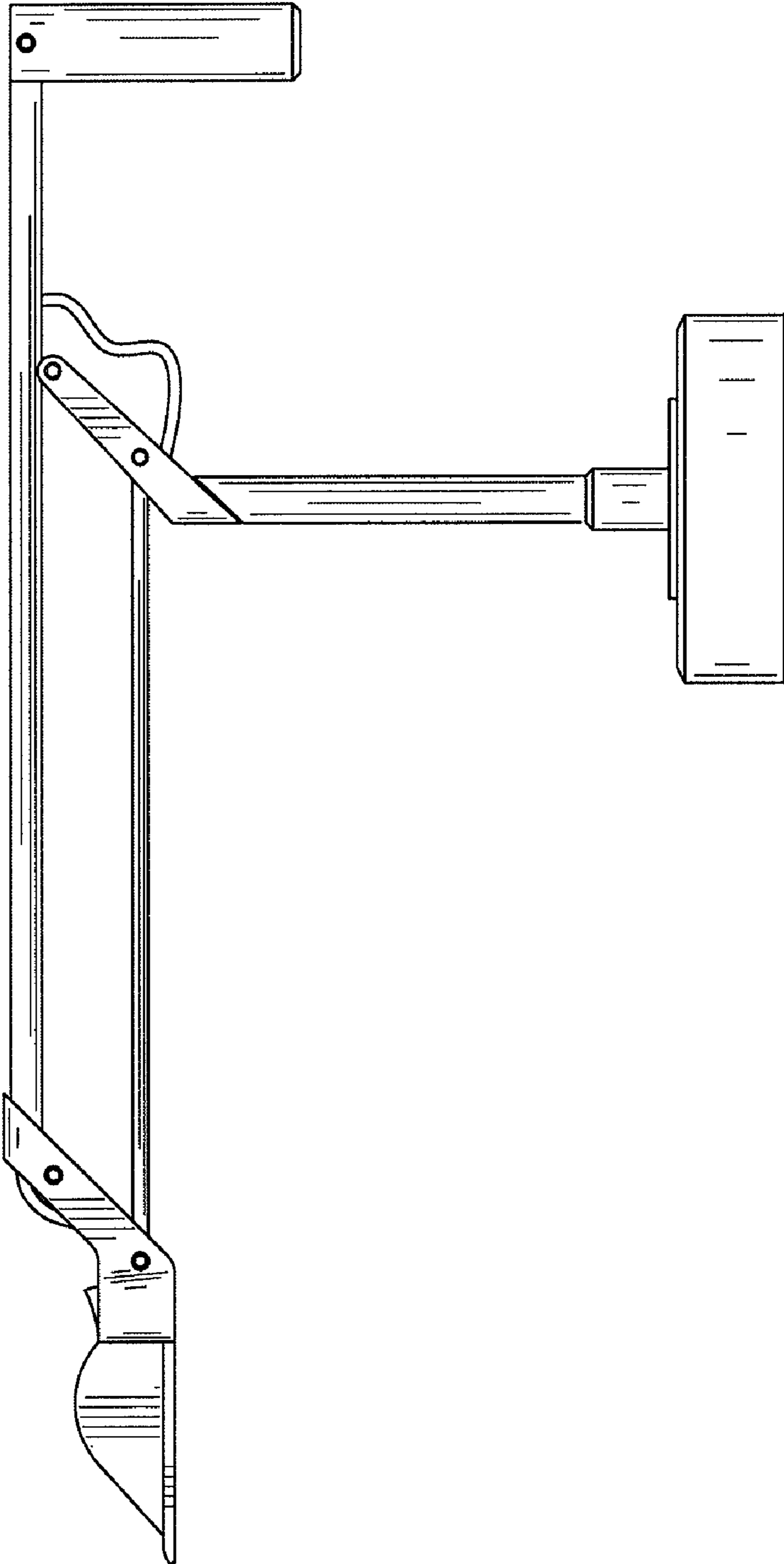


FIG. 3

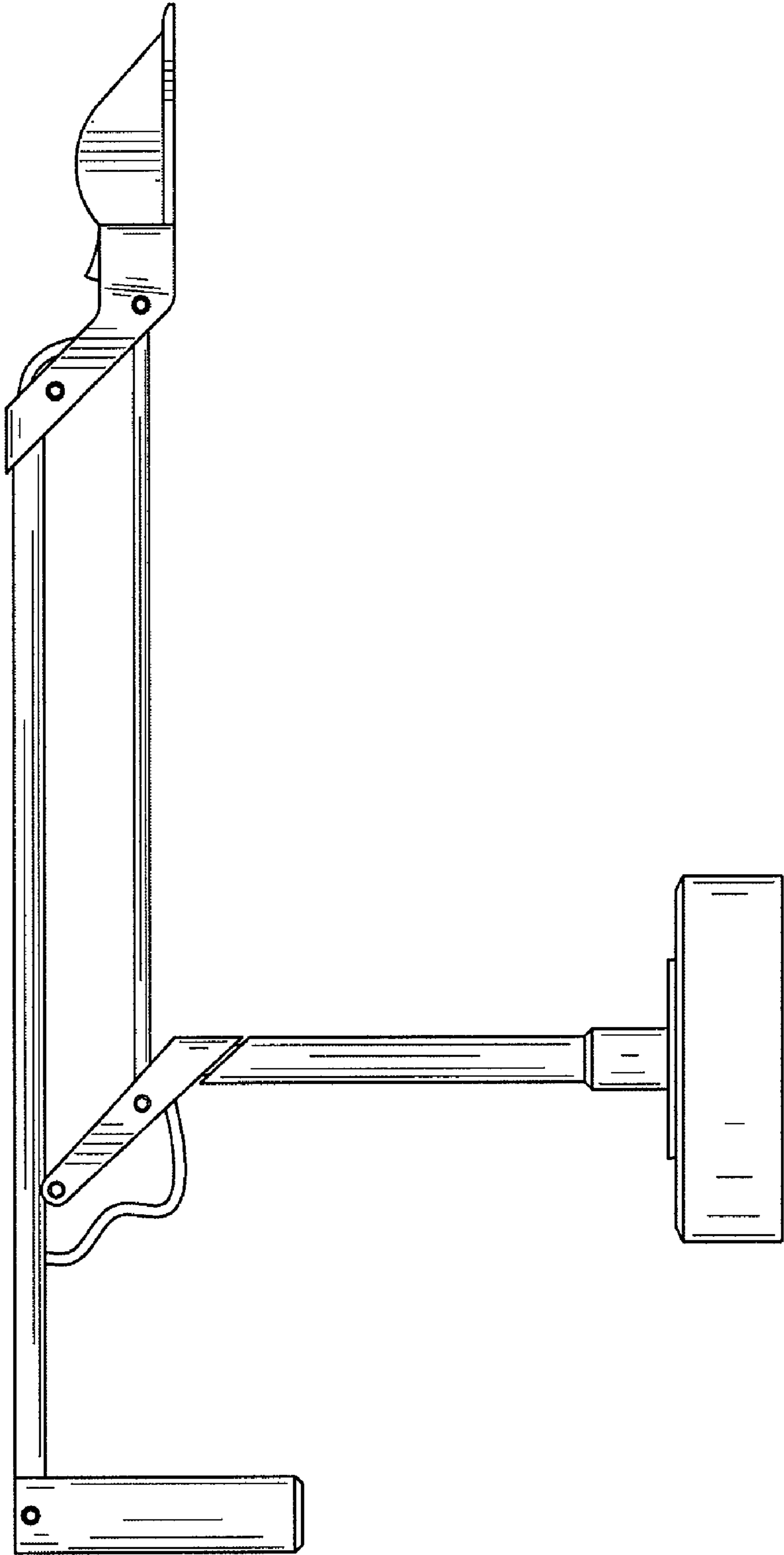


FIG. 4

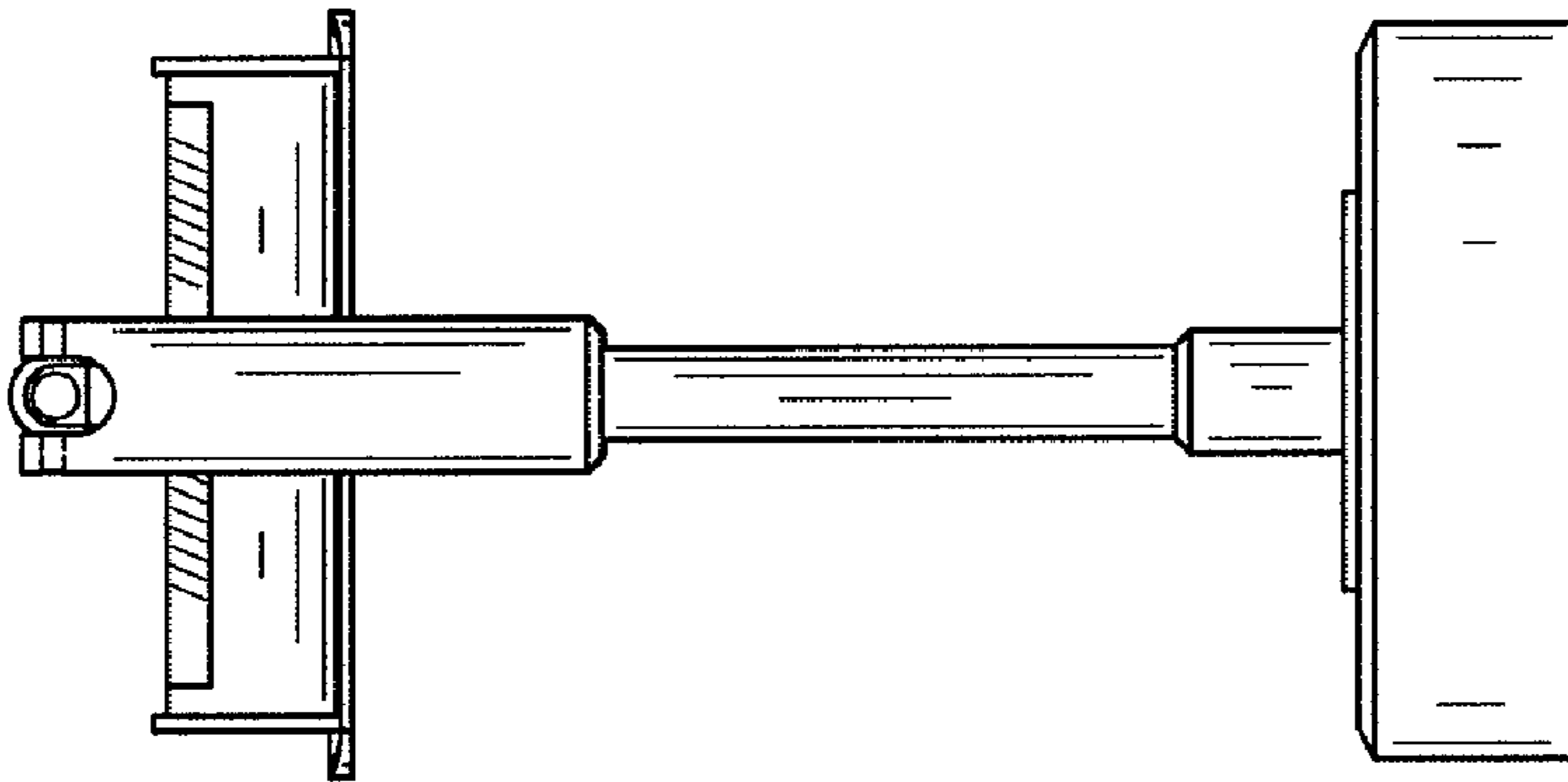


FIG. 6

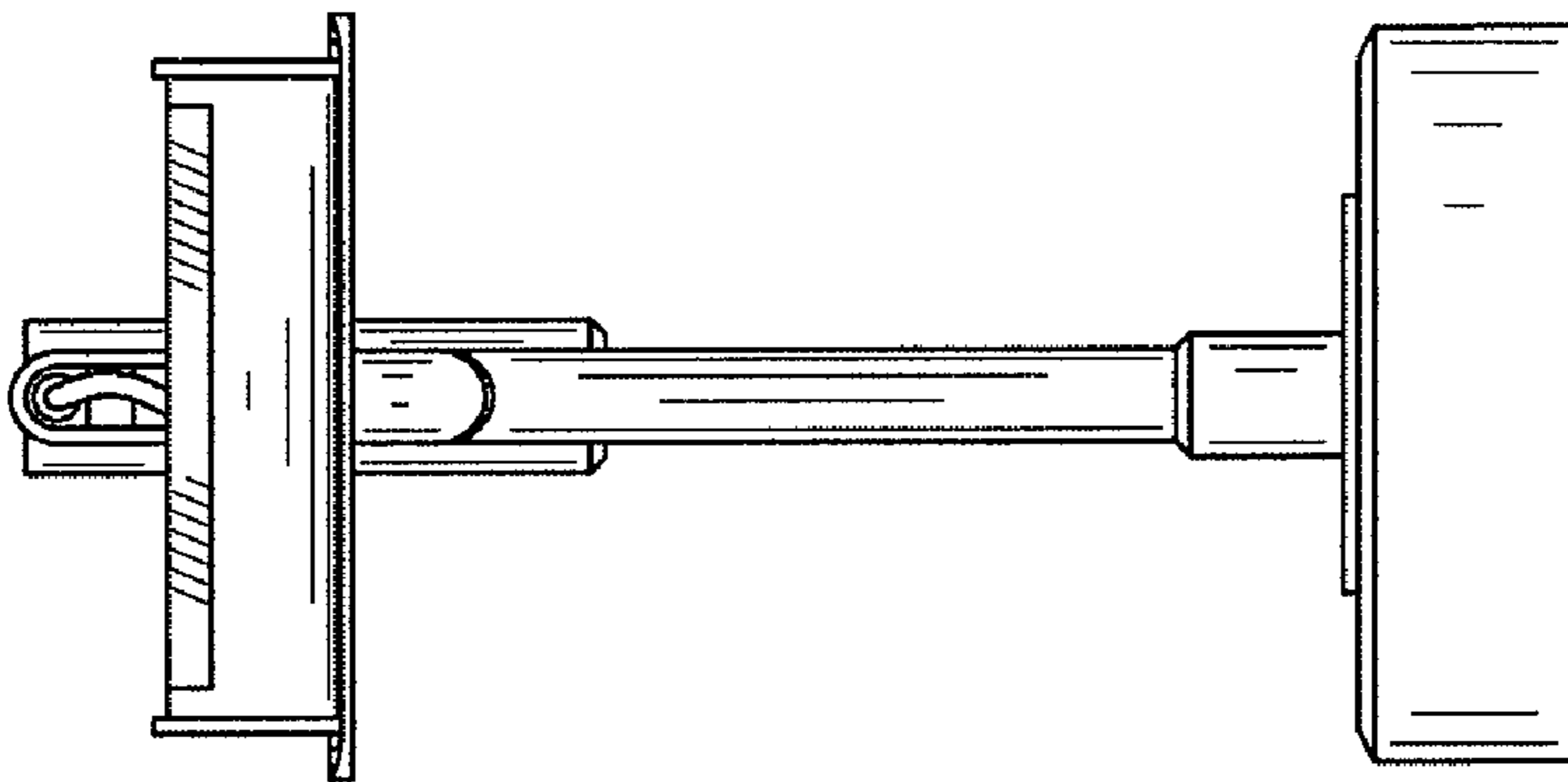


FIG. 5

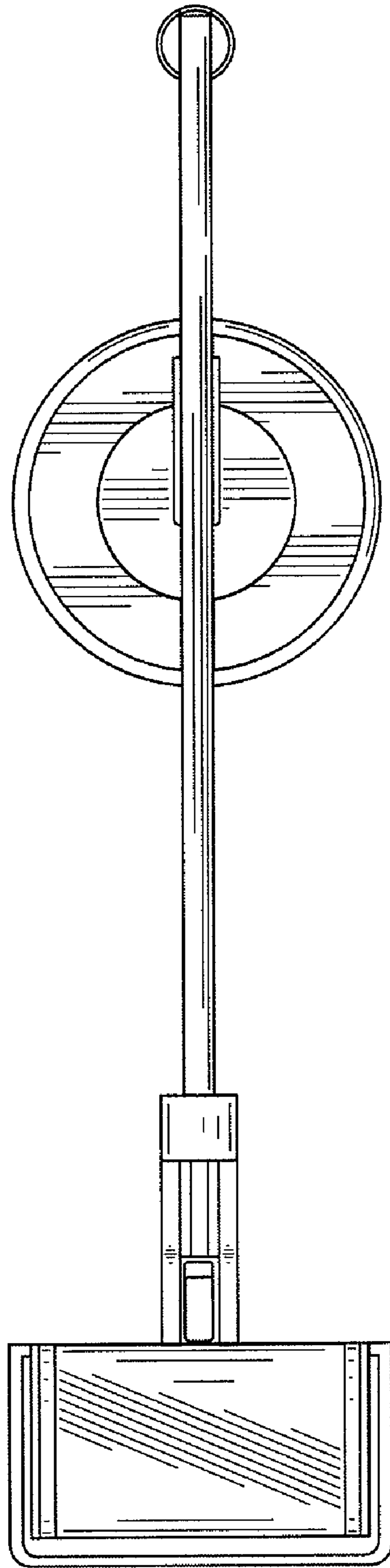


FIG. 7