



US00D565218S

(12) **United States Design Patent**  
**Chien**

(10) **Patent No.:** **US D565,218 S**

(45) **Date of Patent:** **\*\* Mar. 25, 2008**

(54) **PORTABLE WORK LIGHT**

(76) **Inventor:** **Chao Chuan Chien**, 8F, No. 387,  
Chung Cheng Road, Hsin Chuang City,  
Taipei Hsien (TW)

(\*\*) **Term:** **14 Years**

(21) **Appl. No.:** **29/273,615**

(22) **Filed:** **Mar. 9, 2007**

(30) **Foreign Application Priority Data**

Dec. 6, 2006 (TW) ..... 95306730

(51) **LOC (8) Cl.** ..... **26-02**

(52) **U.S. Cl.** ..... **D26/43**

(58) **Field of Classification Search** ..... D26/37-50;  
362/157, 158, 171-174, 183-208  
See application file for complete search history.

(56) **References Cited**

**U.S. PATENT DOCUMENTS**

- D536,116 S \* 1/2007 Sharrah ..... D26/43
- D544,124 S \* 6/2007 Chan ..... D26/60
- D550,876 S \* 9/2007 Thuma et al. .... D26/62

\* cited by examiner

*Primary Examiner*—Marcus A. Jackson

(74) *Attorney, Agent, or Firm*—Troxell Law Office, PLLC

(57) **CLAIM**

The ornamental design for a portable work light, as shown and described.

**DESCRIPTION**

FIG. 1 is a perspective view of a portable work light showing my design;

FIG. 2 is a another perspective view showing the status in use thereof;

FIG. 3 is a front side view thereof;

FIG. 4 is a right side view thereof;

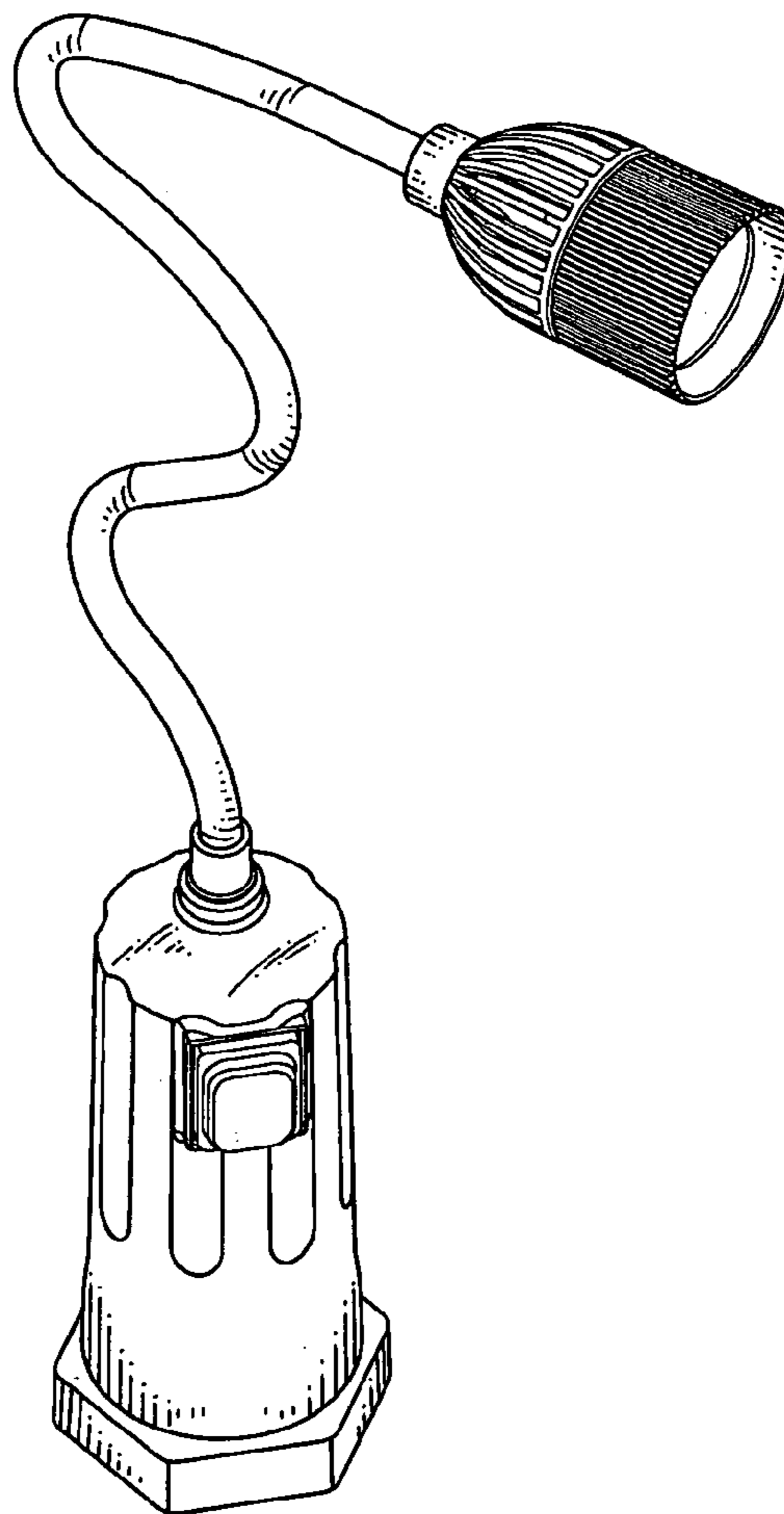
FIG. 5 is a top elevation view thereof;

FIG. 6 is a bottom elevation view thereof;

FIG. 7 is a rear side view thereof; and,

FIG. 8 is a left side view thereof.

**1 Claim, 5 Drawing Sheets**



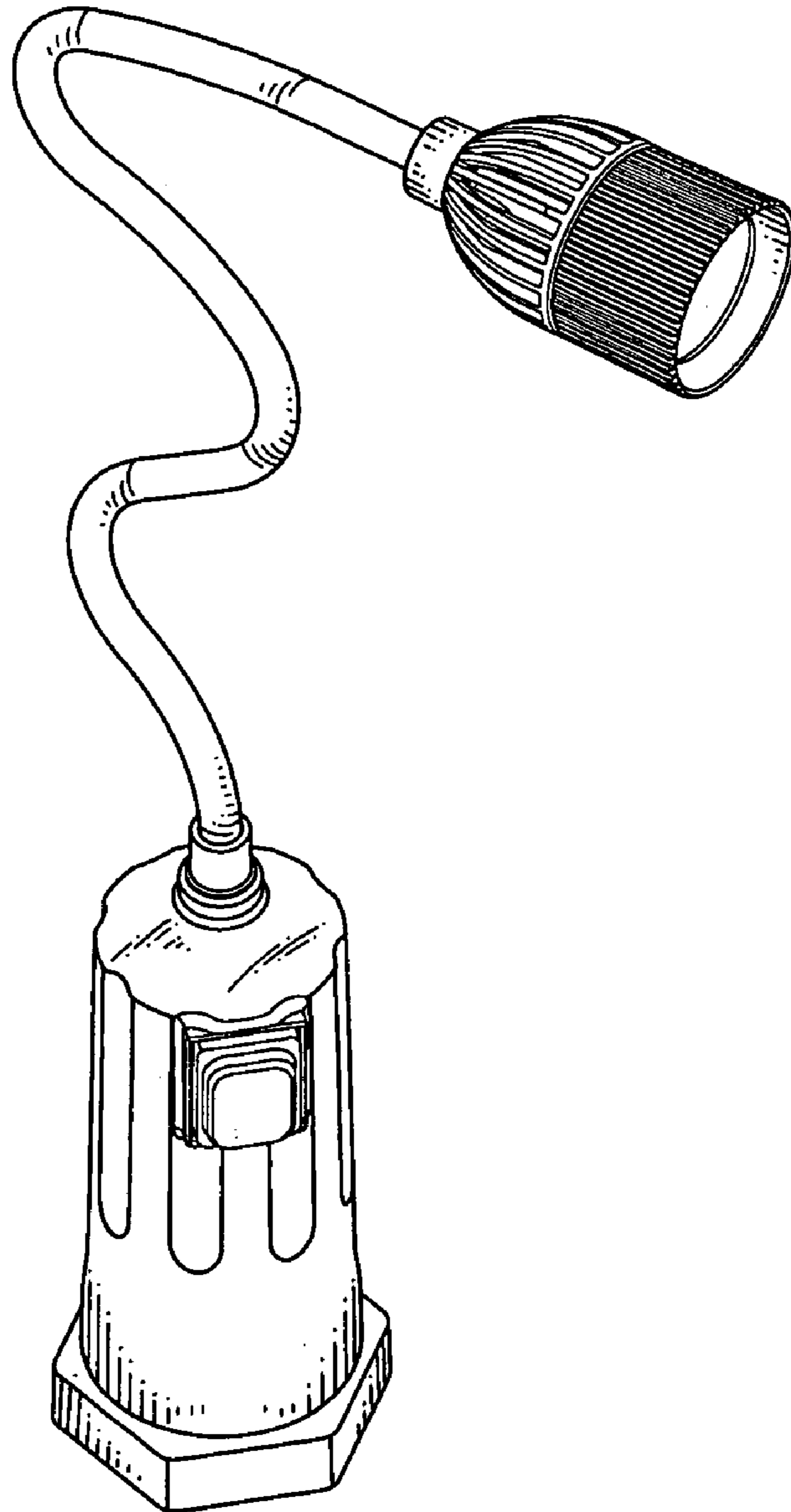


FIG. 1

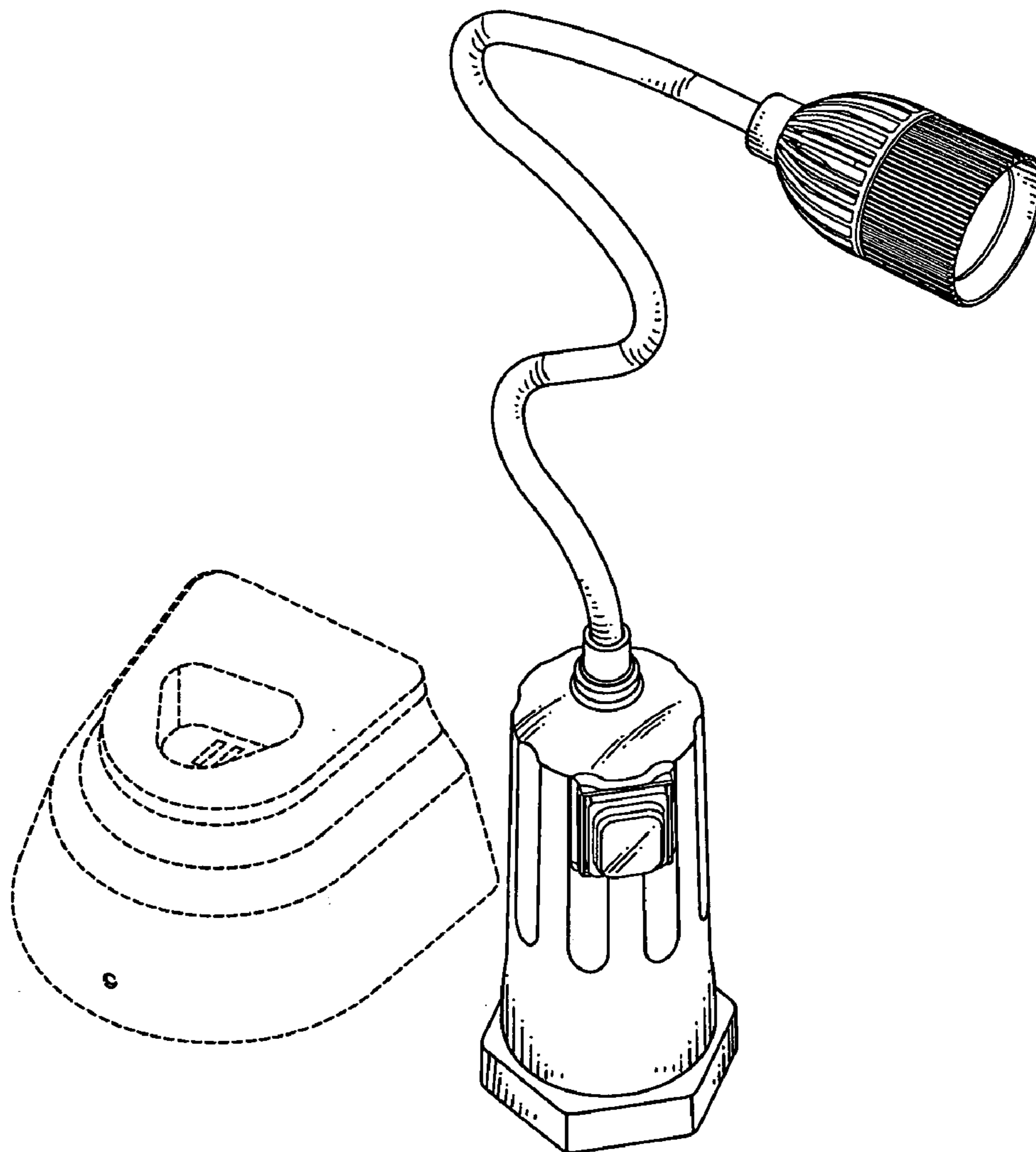


FIG. 2

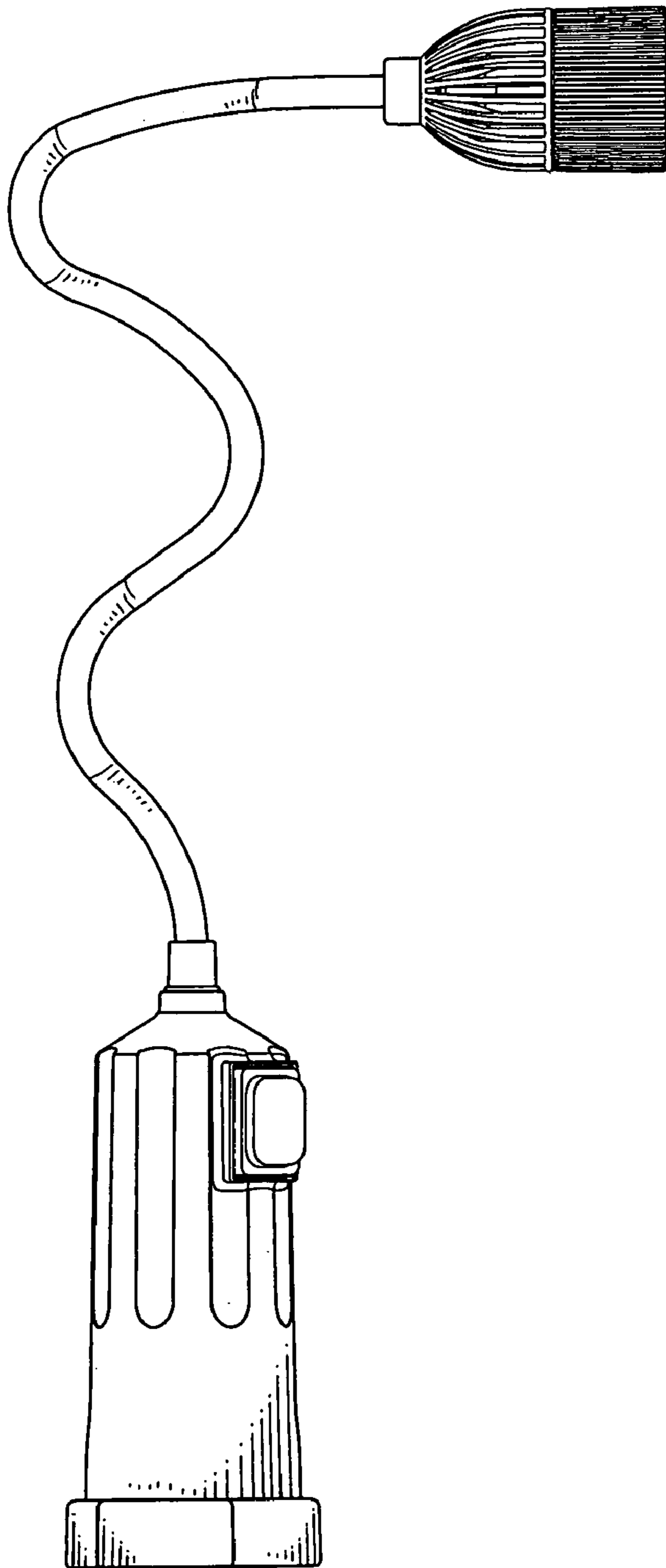


FIG. 3

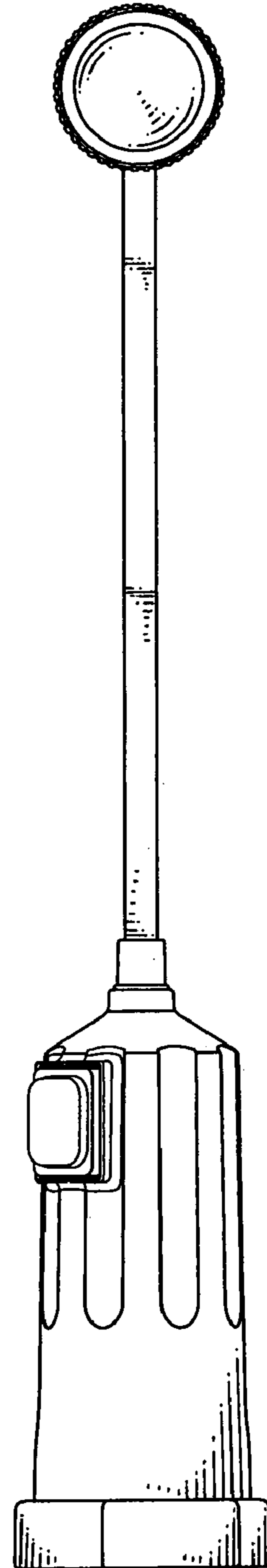


FIG. 4

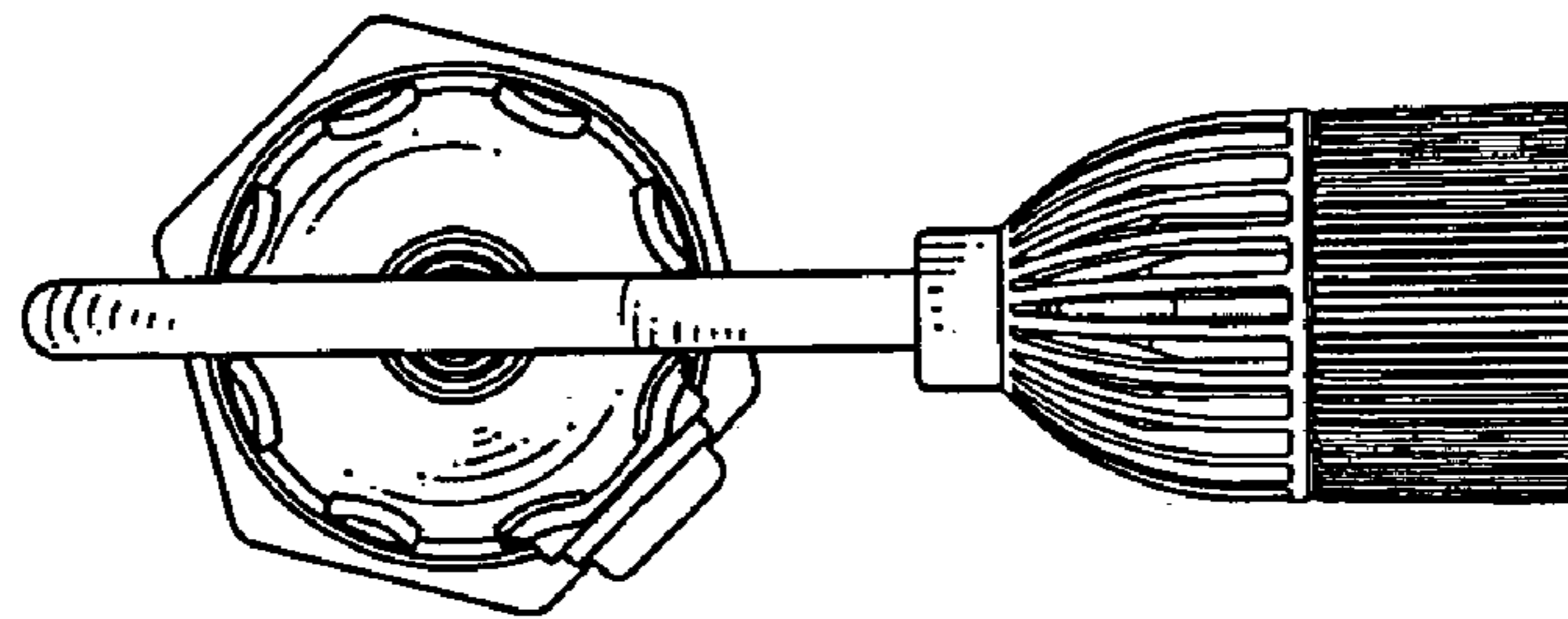


FIG. 5

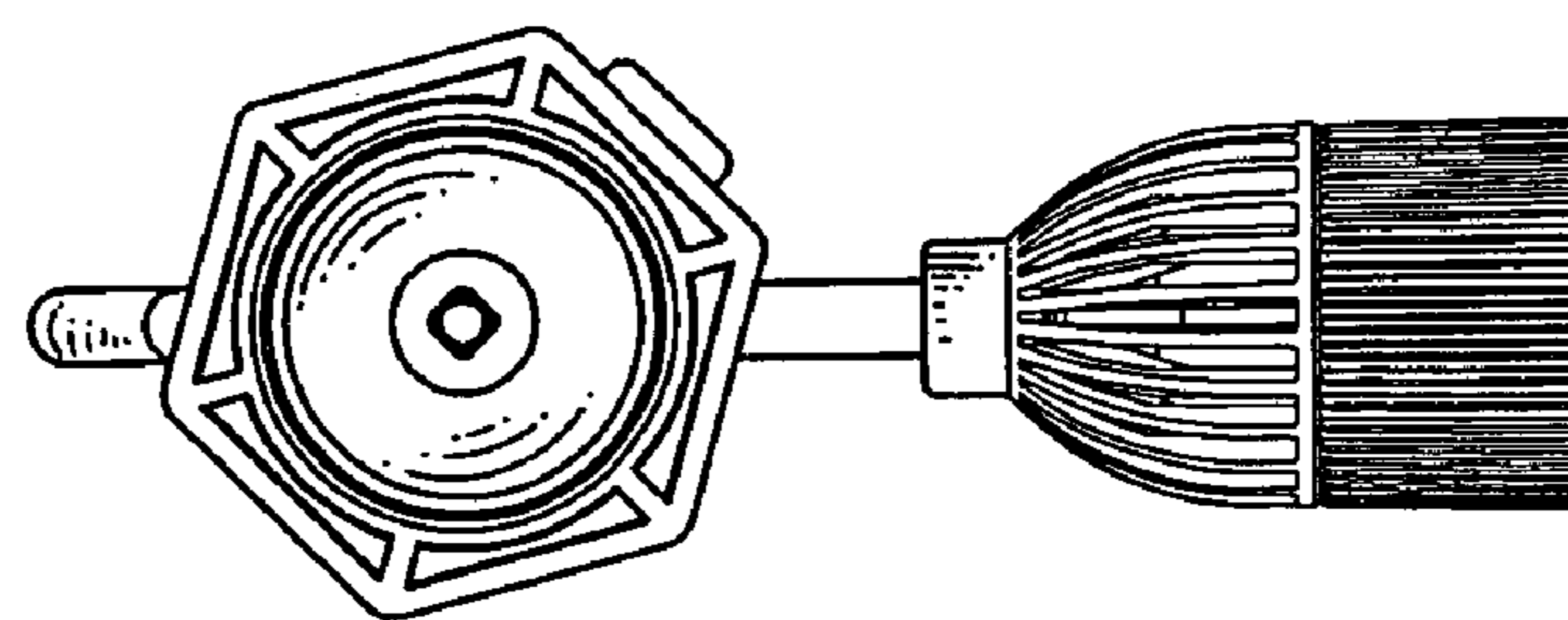


FIG. 6

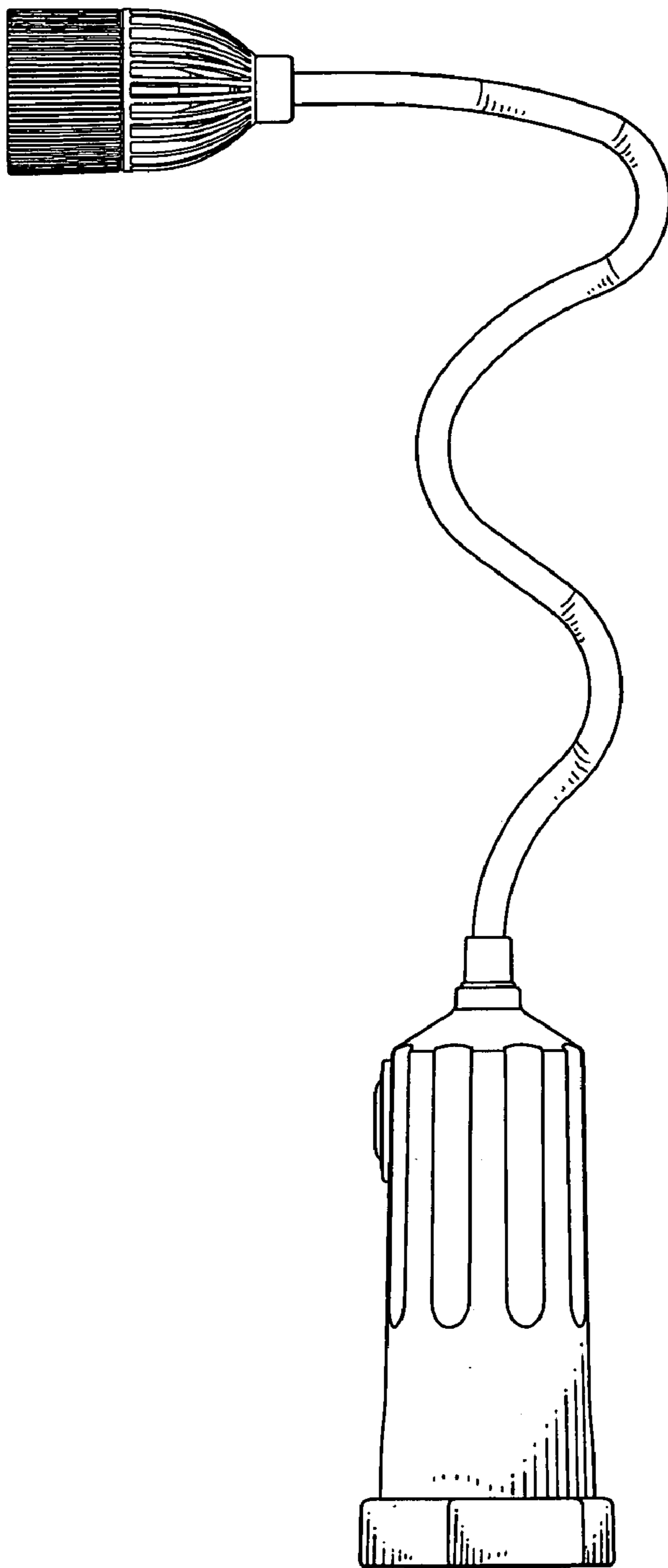


FIG. 7

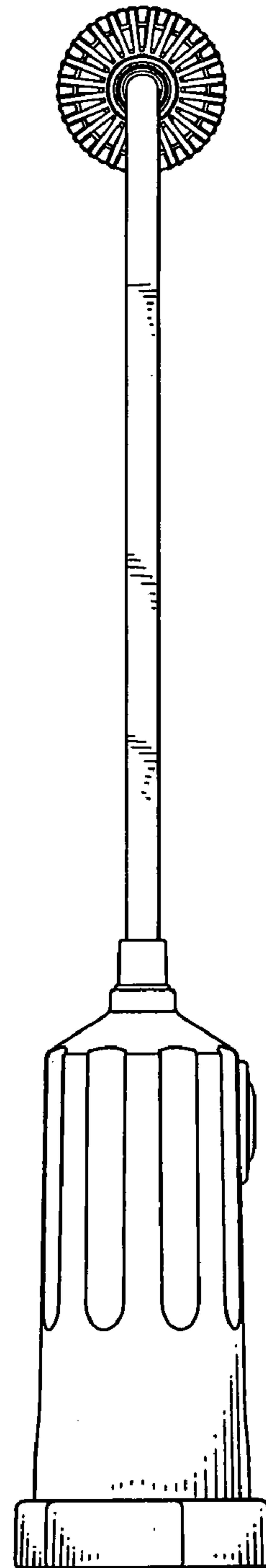


FIG. 8