



US00D565216S

(12) **United States Design Patent**  
**Markell**

(10) **Patent No.:** **US D565,216 S**

(45) **Date of Patent:** **\*\* Mar. 25, 2008**

(54) **LED KEYCHAIN LIGHT**

D538,192 S \* 3/2007 Martin ..... D10/106  
D542,453 S \* 5/2007 Osiecki et al. .... D26/60

(75) Inventor: **Craig S. Markell**, 61 Circle Dr.,  
Syosset, NY (US) 11791

\* cited by examiner

*Primary Examiner*—Marcus A. Jackson

(73) Assignee: **Craig S. Markell**, Syosset, NY (US)

(57) **CLAIM**

(\*\*) Term: **14 Years**

The ornamental design for an LED keychain light, as shown  
and described.

(21) Appl. No.: **29/298,157**

(22) Filed: **Nov. 29, 2007**

**DESCRIPTION**

(51) **LOC (8) Cl.** ..... **26-02**

FIG. 1 is a perspective view of a LED keychain light,  
showing my new design;

(52) **U.S. Cl.** ..... **D26/37**

FIG. 2 is a front elevational view of the invention;

(58) **Field of Classification Search** ..... D26/37-50;  
362/157, 158, 171-174, 183-208

FIG. 3 is a rear elevational view of the invention;

See application file for complete search history.

FIG. 4 is a left-side elevational view of the invention, the  
right-side elevational view being a mirror image thereof;

(56) **References Cited**

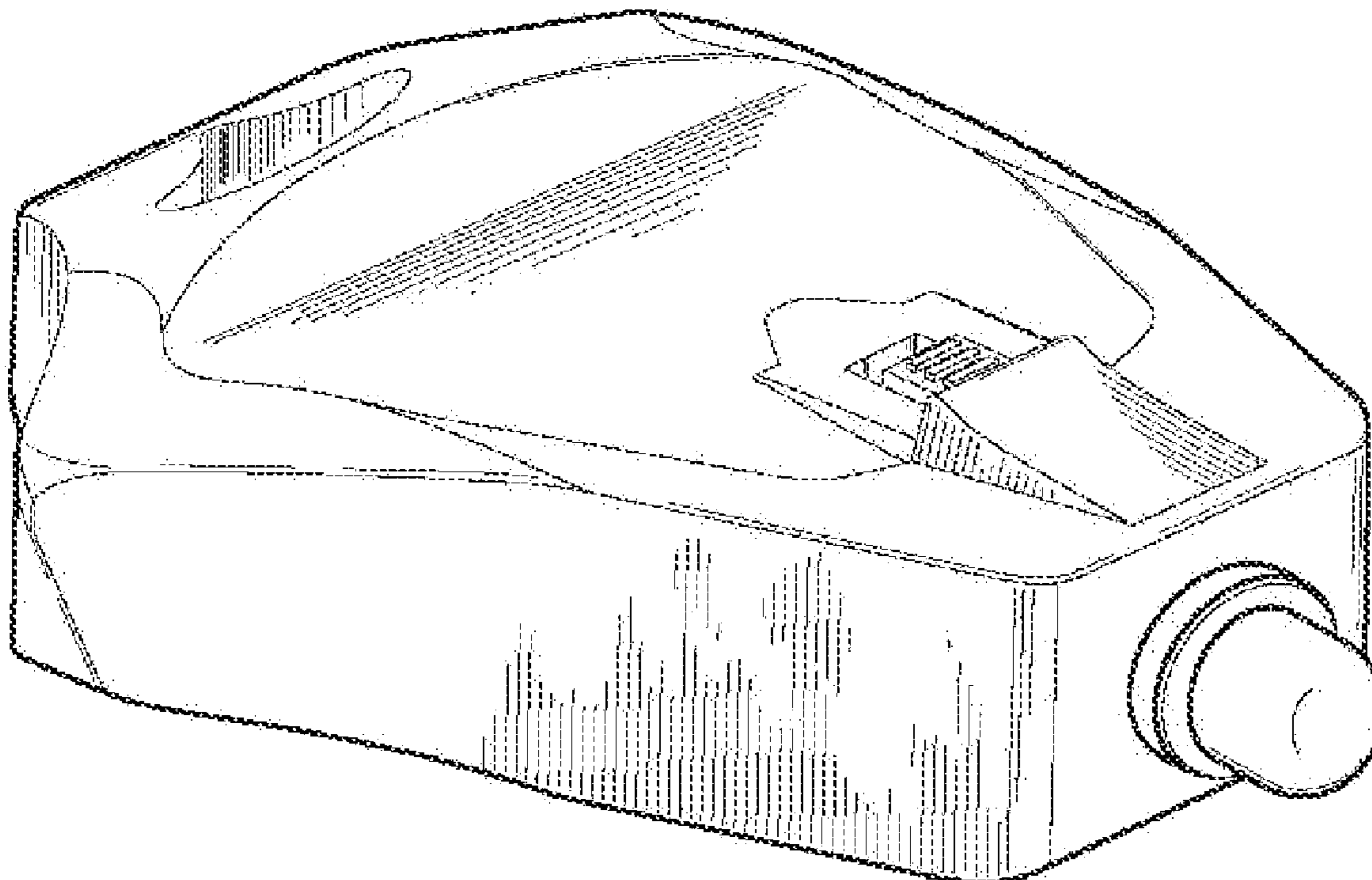
FIG. 5 is a top plan view of the invention; and,

**U.S. PATENT DOCUMENTS**

FIG. 6 is a bottom plan view of the invention.

D375,372 S \* 11/1996 Allen ..... D26/37  
D425,226 S \* 5/2000 Galli ..... D26/37

**1 Claim, 2 Drawing Sheets**



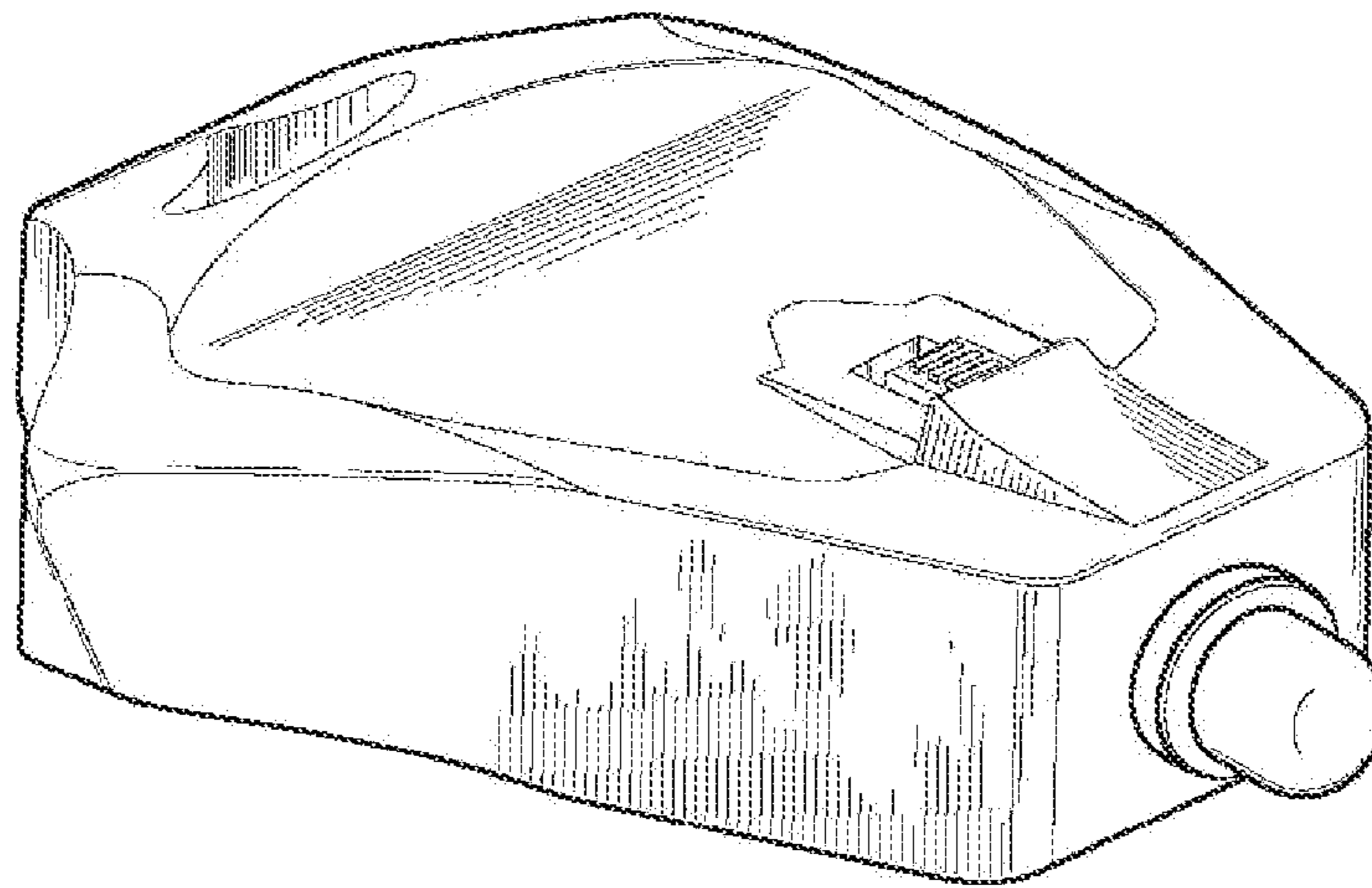


FIG. 1

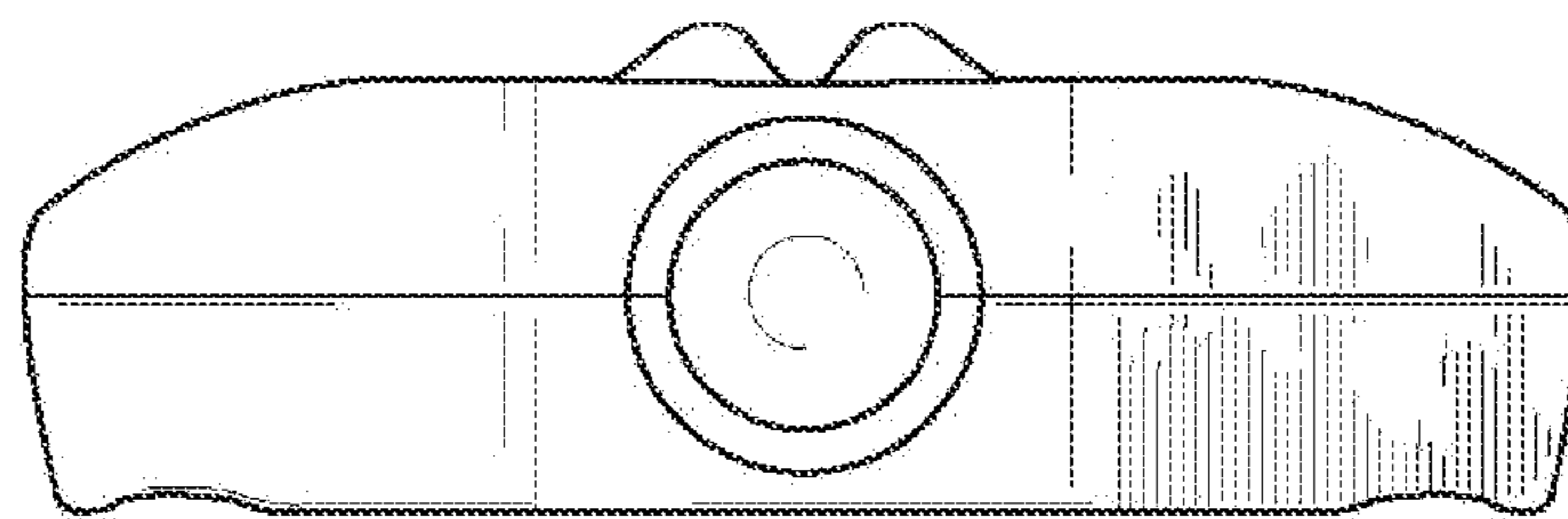


FIG. 2

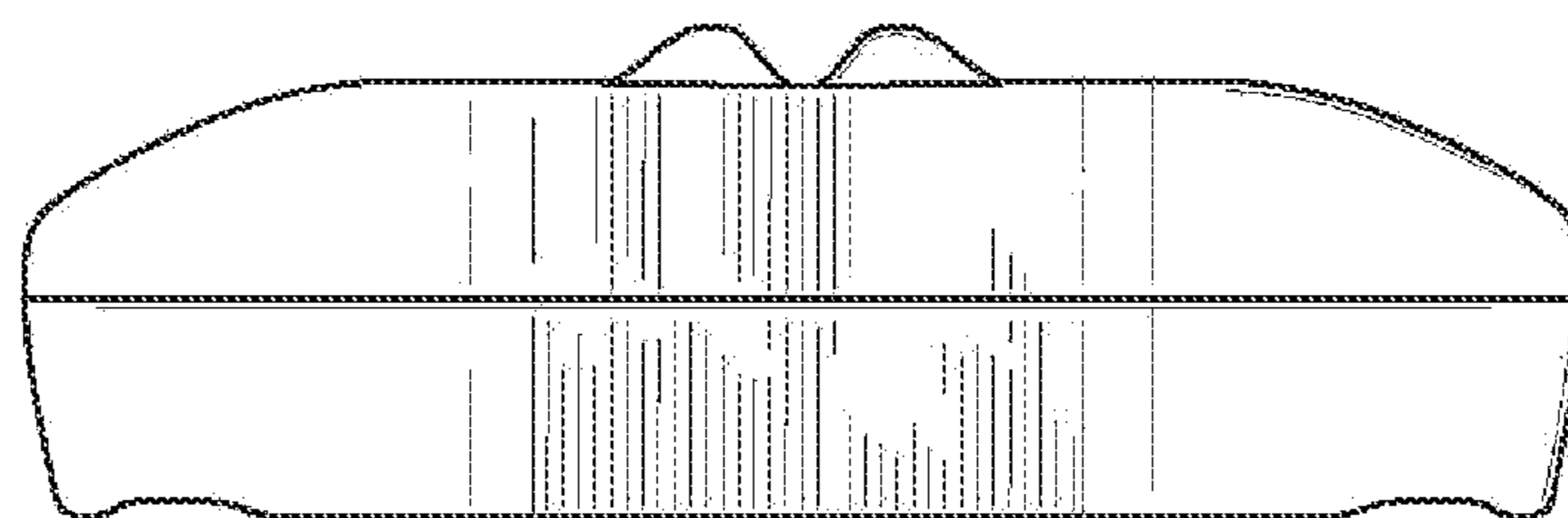


FIG. 3



FIG. 4

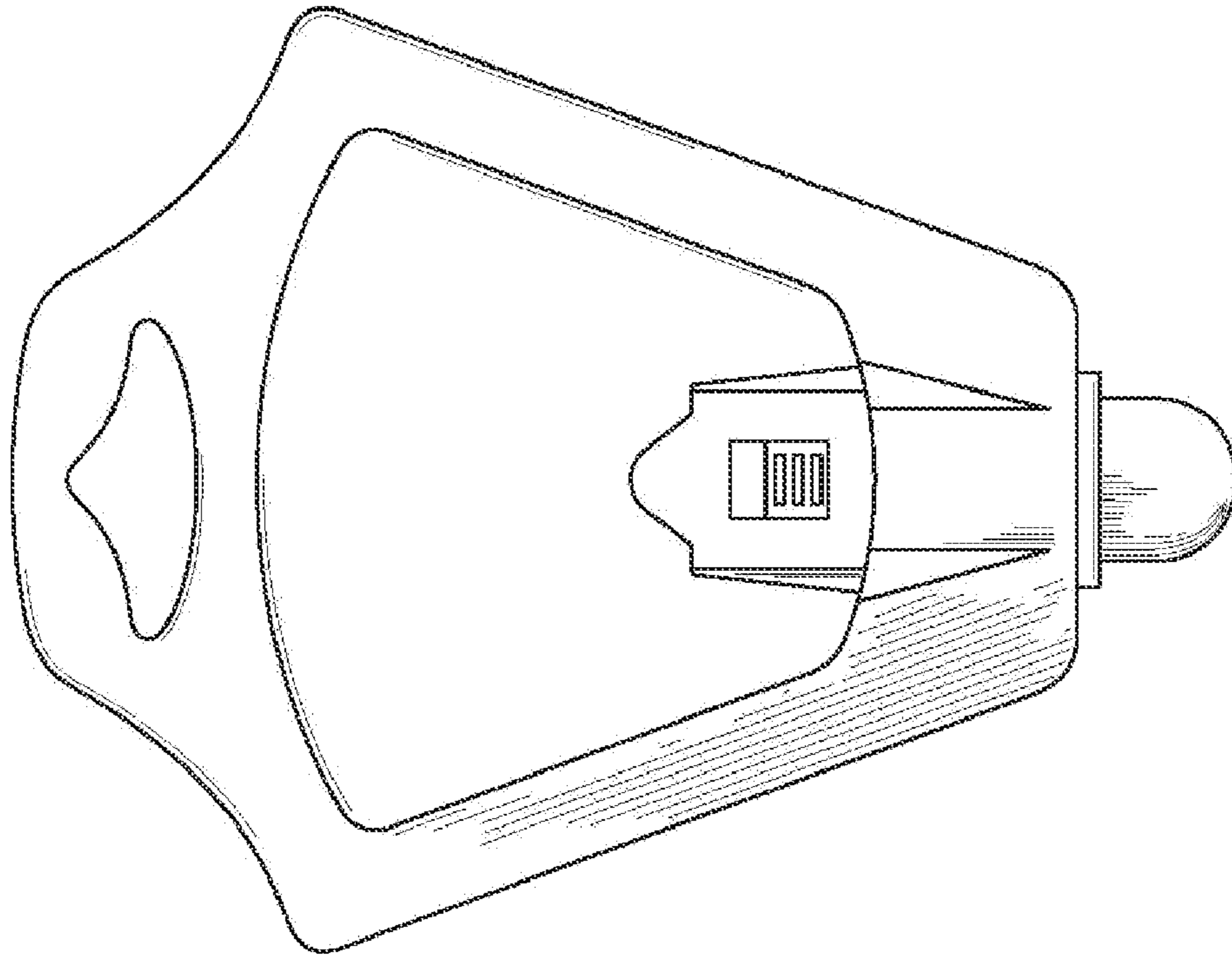


FIG. 5

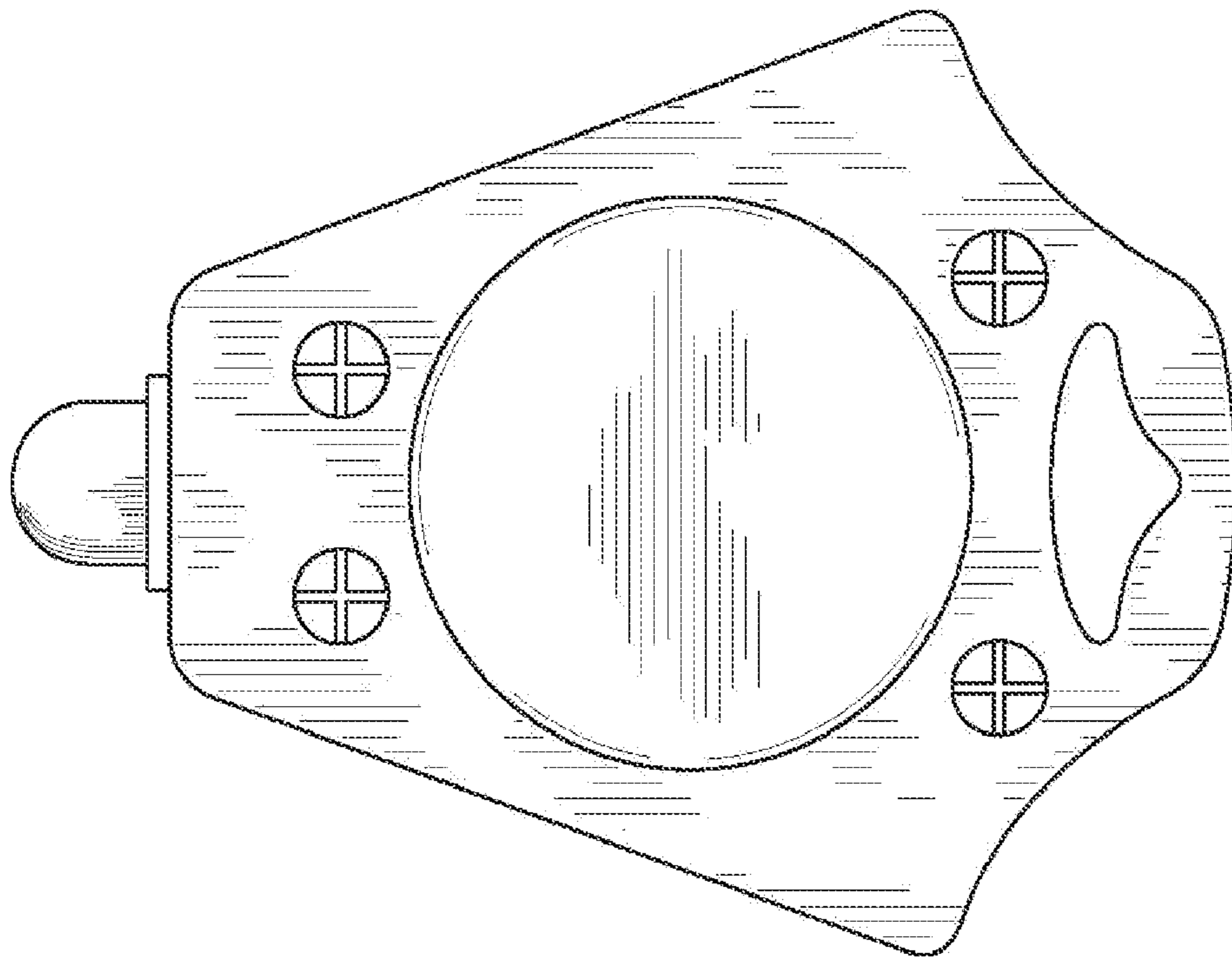


FIG. 6