



US00D565215S

(12) **United States Design Patent**  
**Lee**

(10) **Patent No.:** **US D565,215 S**  
(45) **Date of Patent:** **\*\* Mar. 25, 2008**

(54) **FLASHLIGHT**

(76) Inventor: **Wen-Sung Lee**, No. 72, Chaoguei Rd.,  
Situn District, Taichung City 407 (TW)

(\*\*) Term: **14 Years**

(21) Appl. No.: **29/295,301**

(22) Filed: **Sep. 25, 2007**

(51) **LOC (8) Cl.** ..... **26-02**

(52) **U.S. Cl.** ..... **D26/37**

(58) **Field of Classification Search** ..... D26/37-50;  
362/157, 158, 171-174, 183-208  
See application file for complete search history.

(56) **References Cited**

U.S. PATENT DOCUMENTS

D549,371 S *	8/2007	Lee	.....	D26/37
D549,862 S *	8/2007	Lee	.....	D26/37
D550,386 S *	9/2007	Lee	.....	D26/37

\* cited by examiner

*Primary Examiner*—Marcus A. Jackson  
(74) *Attorney, Agent, or Firm*—Banger Shia

(57) **CLAIM**

I claim the ornamental design for a flashlight, as shown and described.

**DESCRIPTION**

FIG. 1 is a perspective view of a flashlight, showing my new design;

FIG. 2 is a front elevational view thereof;

FIG. 3 is a rear elevational view thereof;

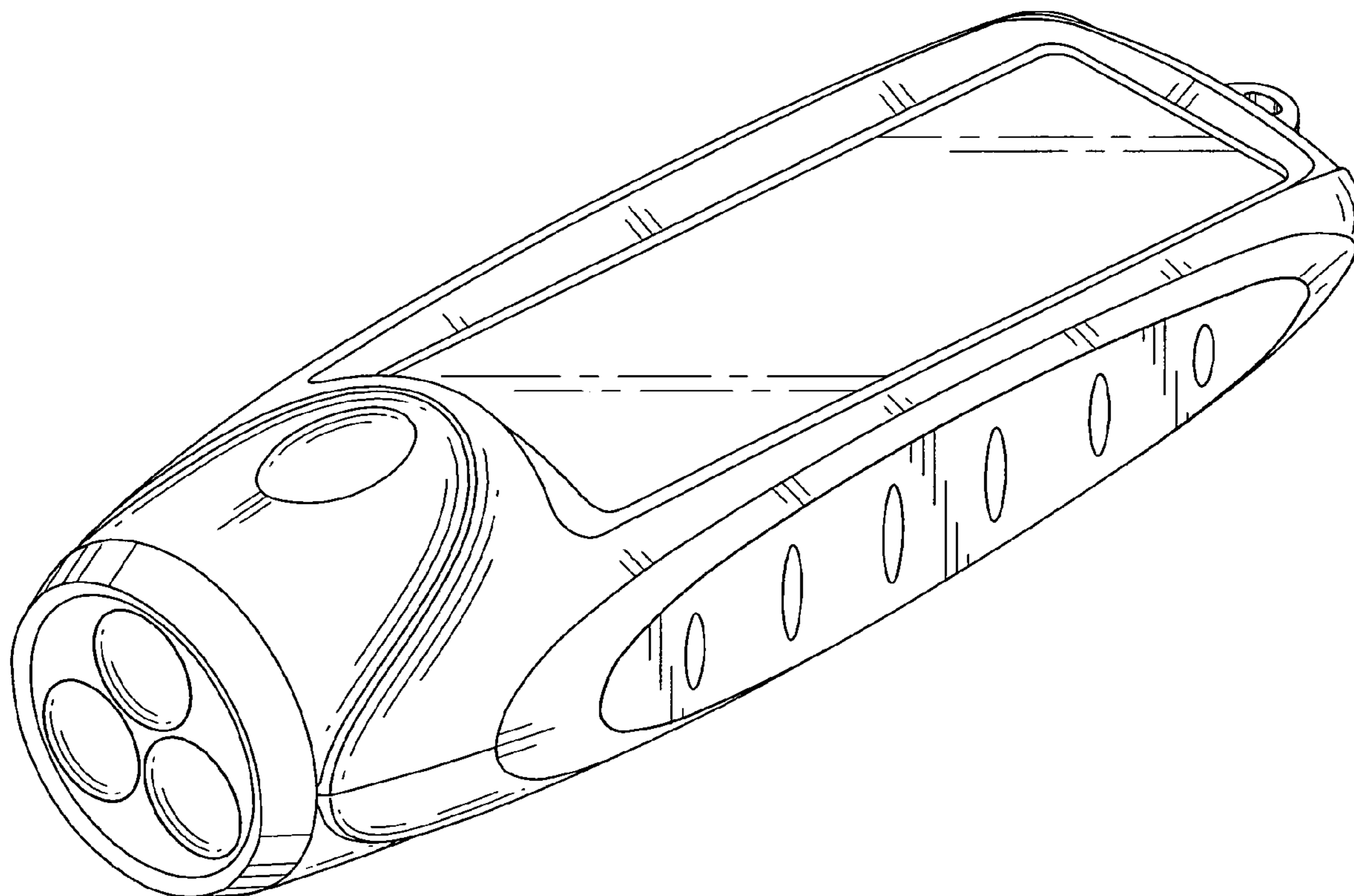
FIG. 4 is a left side elevational view thereof;

FIG. 5 is a right side elevational view thereof;

FIG. 6 is a top plan view thereof; and,

FIG. 7 is a bottom plan view thereof.

**1 Claim, 7 Drawing Sheets**



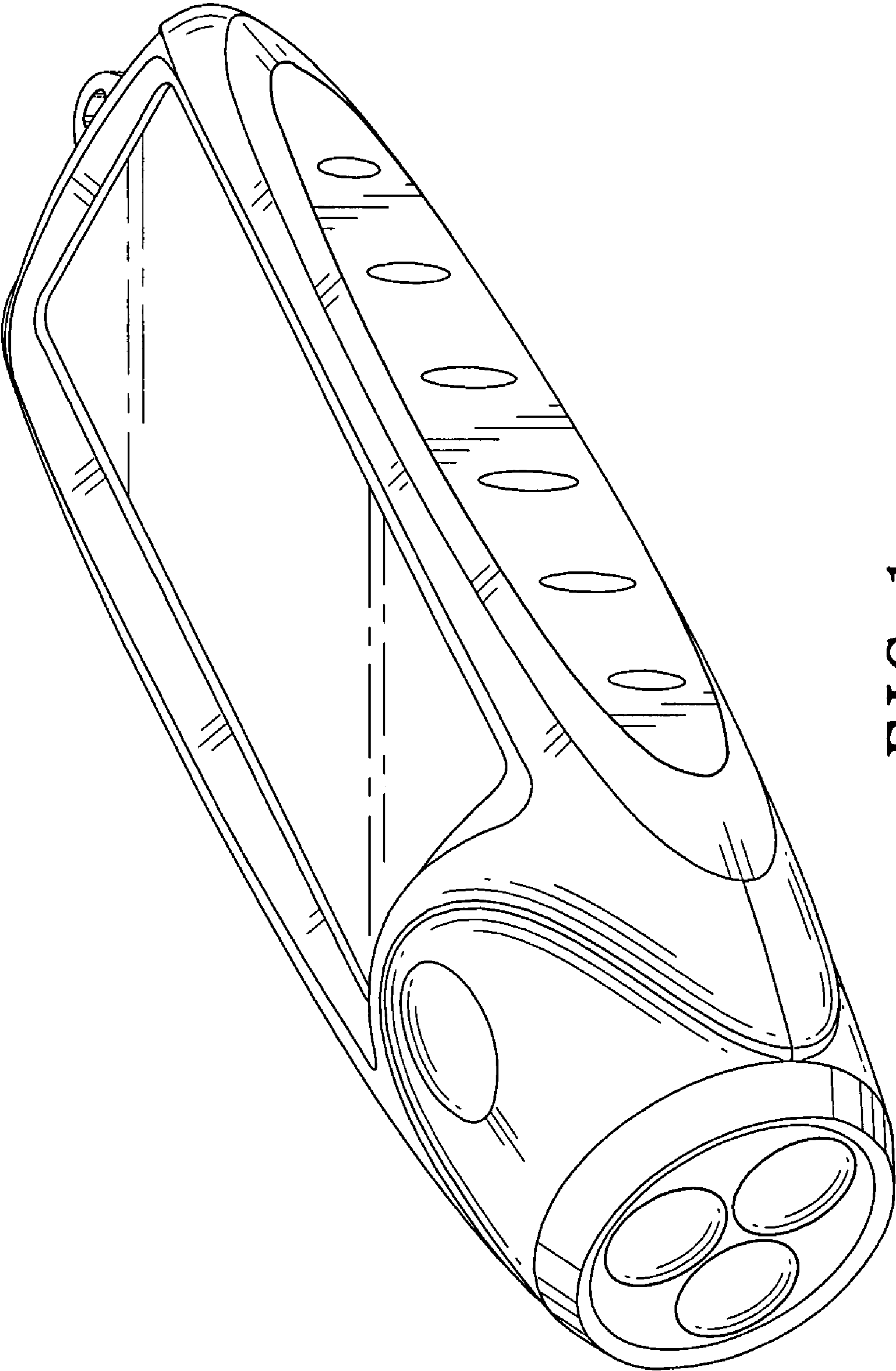


FIG. 1

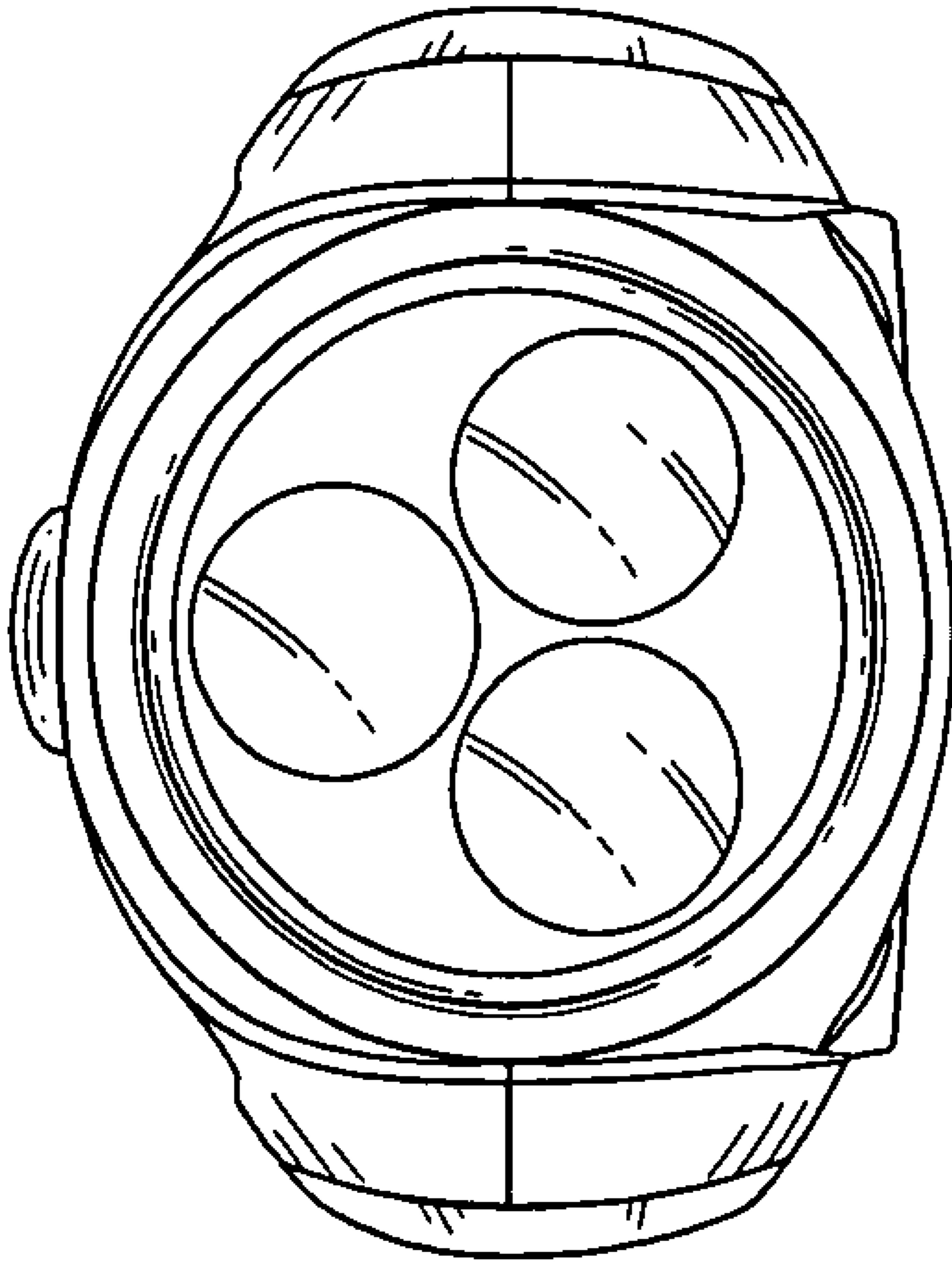


FIG. 2

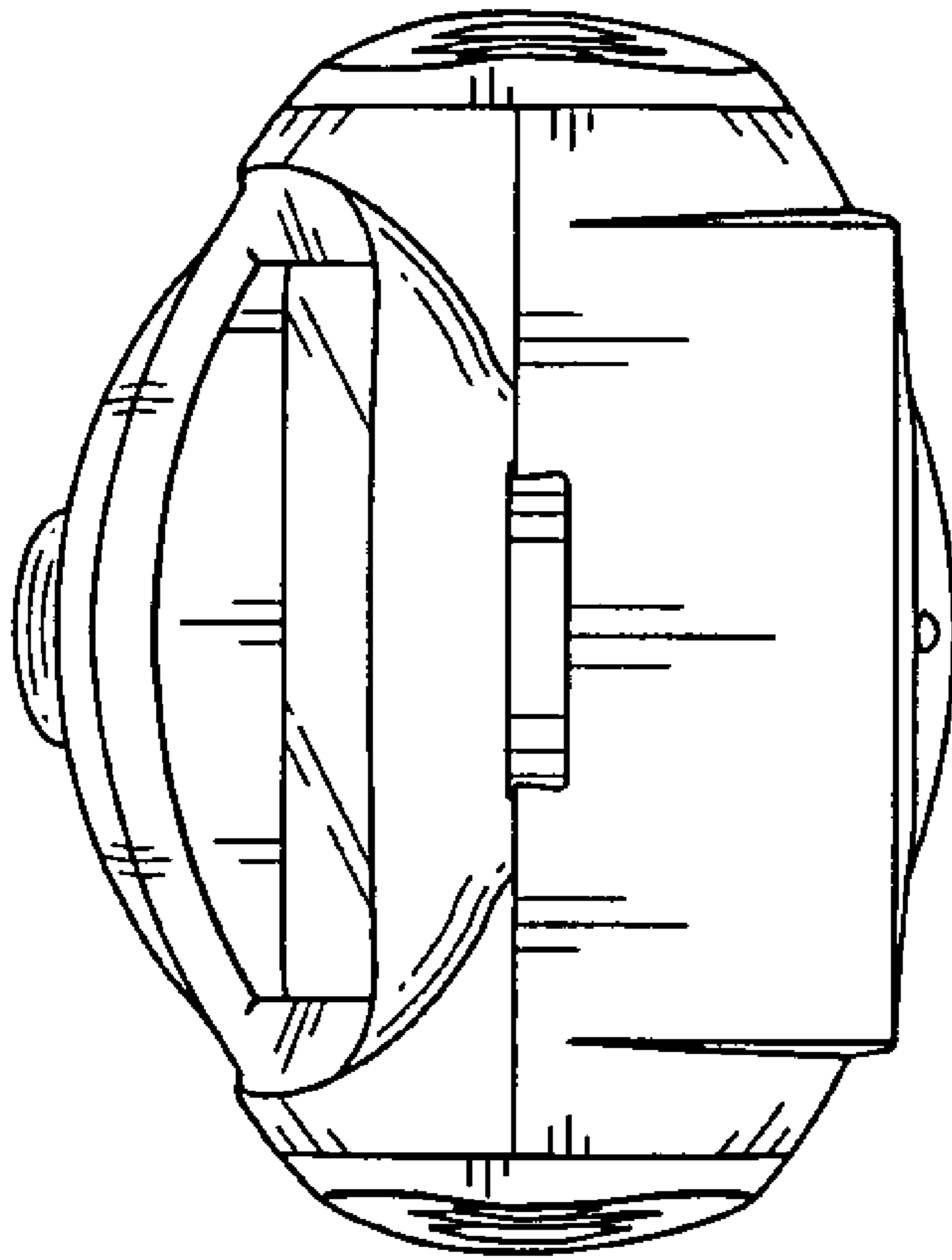


FIG. 3

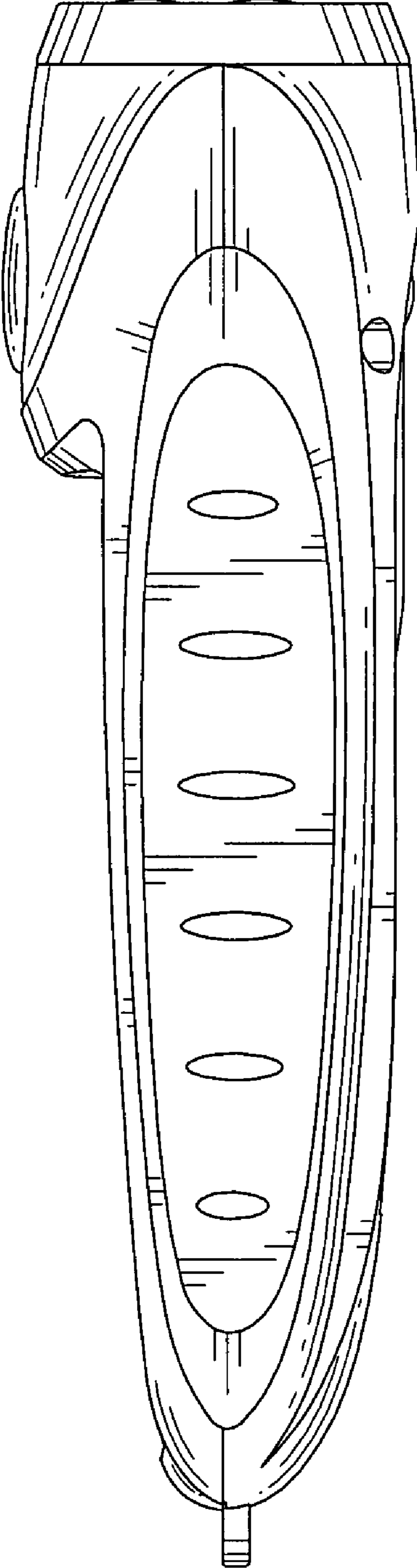


FIG. 4

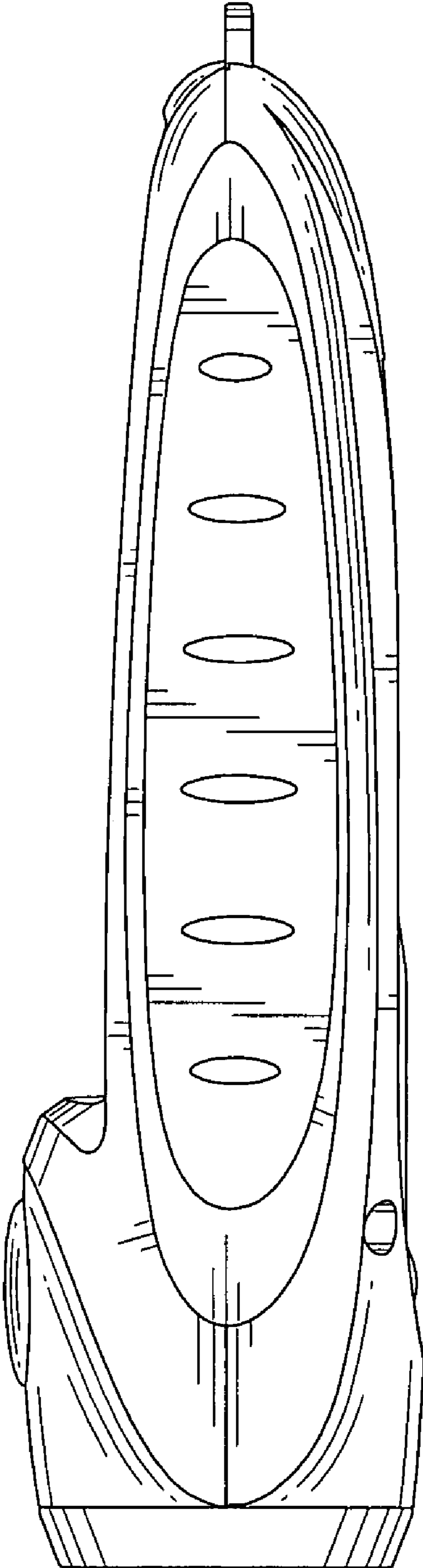


FIG. 5

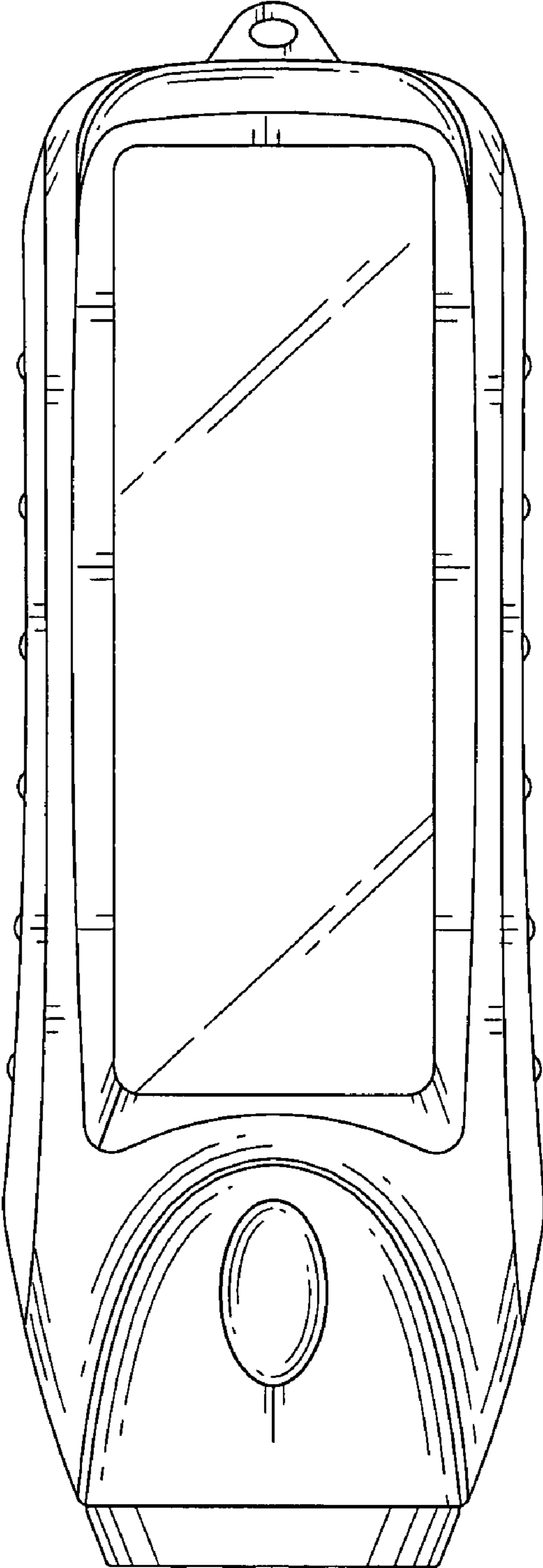


FIG. 6

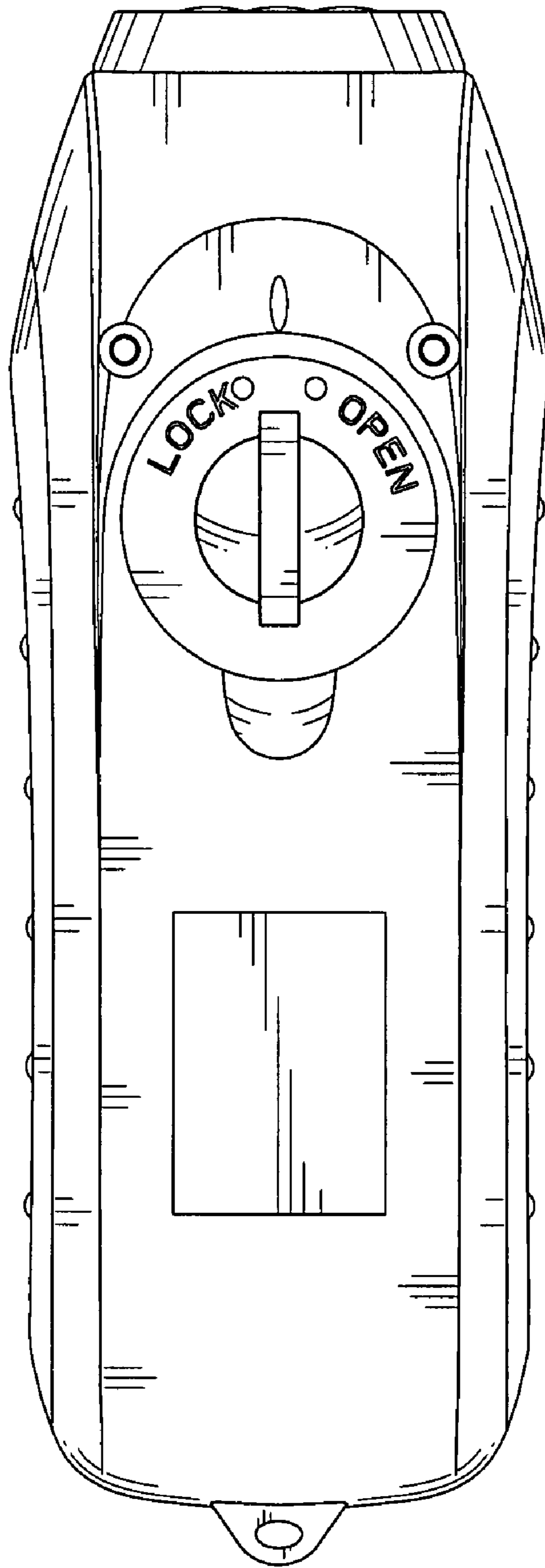


FIG. 7