



US00D565213S

(12) **United States Design Patent**
Chan

(10) **Patent No.:** **US D565,213 S**

(45) **Date of Patent:** **** Mar. 25, 2008**

(54) **FLASHLIGHT**

(75) Inventor: **Peter Chan**, Kowloon (HK)

(73) Assignee: **Lumilite International Ltd.**, Kowloon (HK)

(**) Term: **14 Years**

(21) Appl. No.: **29/279,842**

(22) Filed: **May 8, 2007**

(51) **LOC (8) Cl.** **26-02**

(52) **U.S. Cl.** **D26/37**

(58) **Field of Classification Search** D26/37-50;
362/157, 158, 171-174, 183-208

See application file for complete search history.

(56) **References Cited**

U.S. PATENT DOCUMENTS

D549,860 S *	8/2007	Gustafson et al.	D26/37
D551,368 S *	9/2007	Shiu	D26/37
D552,776 S *	10/2007	Osiecki et al.	D26/49
D553,282 S *	10/2007	Zhu	D26/49

* cited by examiner

Primary Examiner—Marcus A. Jackson

(74) *Attorney, Agent, or Firm*—Schwabe Williamson & Wyatt

(57) **CLAIM**

I claim an ornamental design for a flashlight as shown and described.

DESCRIPTION

FIG. 1 illustrates a perspective view of a flashlight showing my new design;

FIG. 2 illustrates a rear view of the invention of FIG. 1;

FIG. 3 illustrates a front view of the invention of FIG. 1;

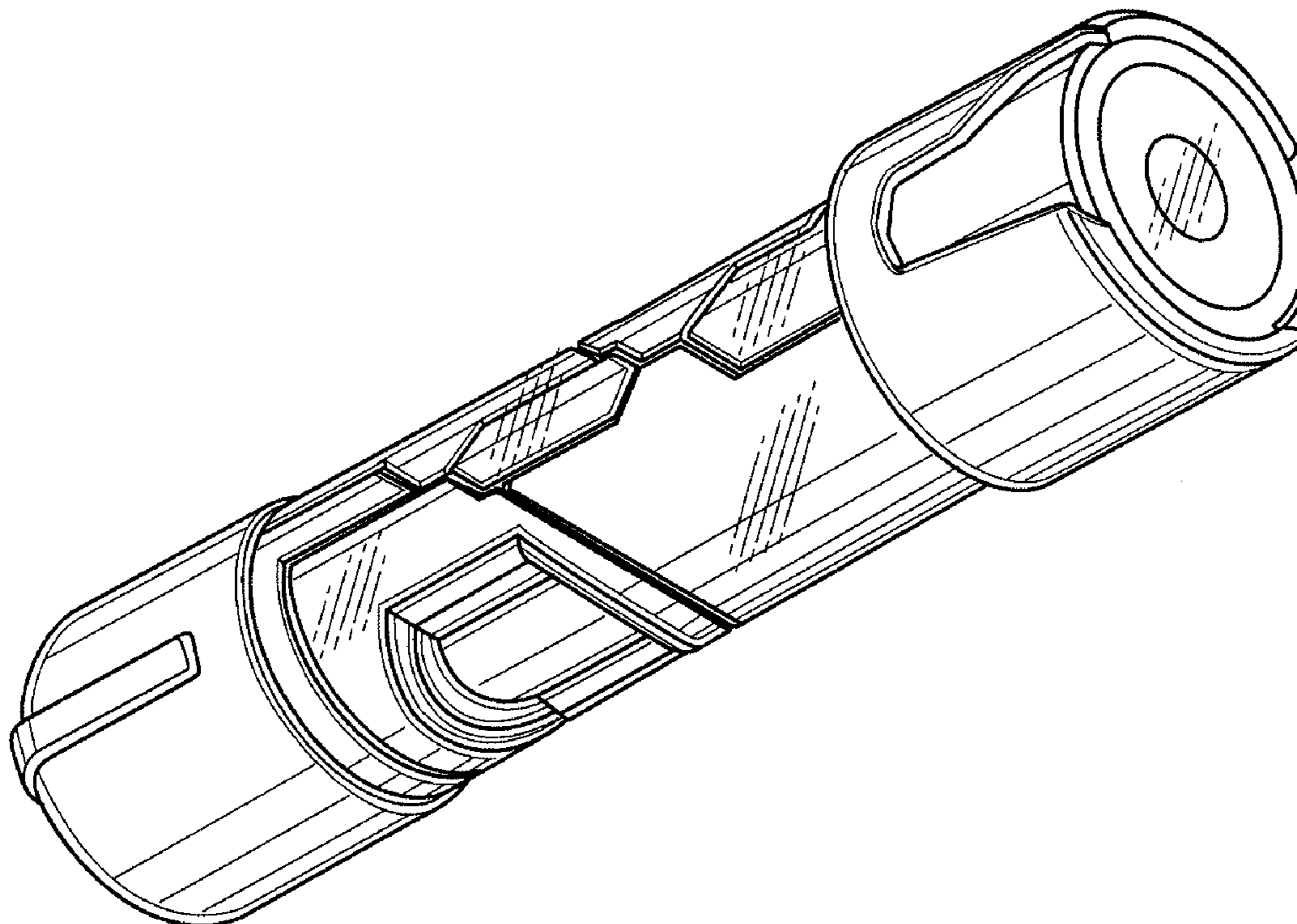
FIG. 4 illustrates a top elevational view of the invention of FIG. 1;

FIG. 5 illustrates a side elevational view of the invention of FIG. 1;

FIG. 6 illustrates a side elevational view of the invention of FIG. 1; and,

FIG. 7 illustrates a bottom elevational view of the invention of FIG. 1.

1 Claim, 2 Drawing Sheets



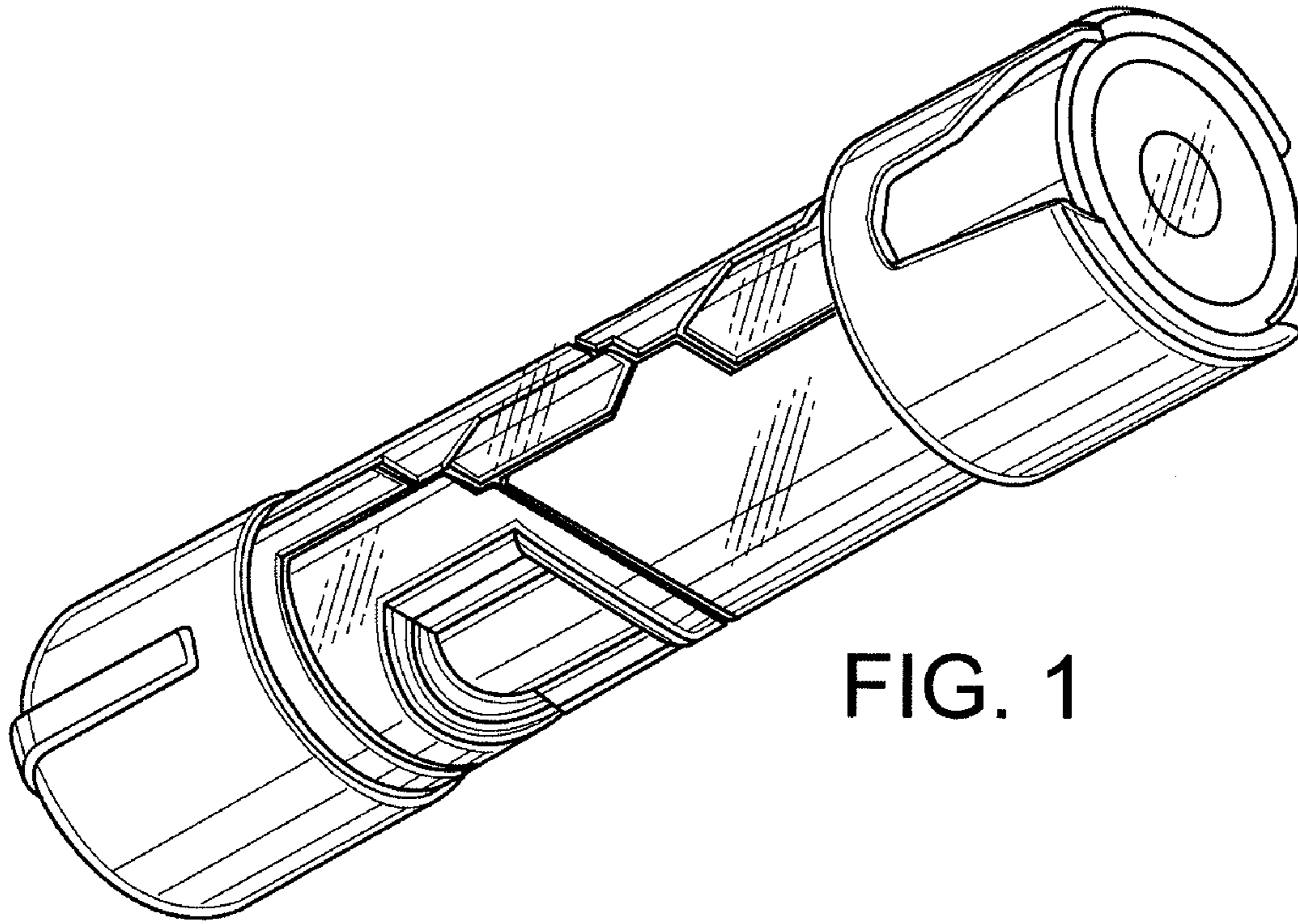


FIG. 1

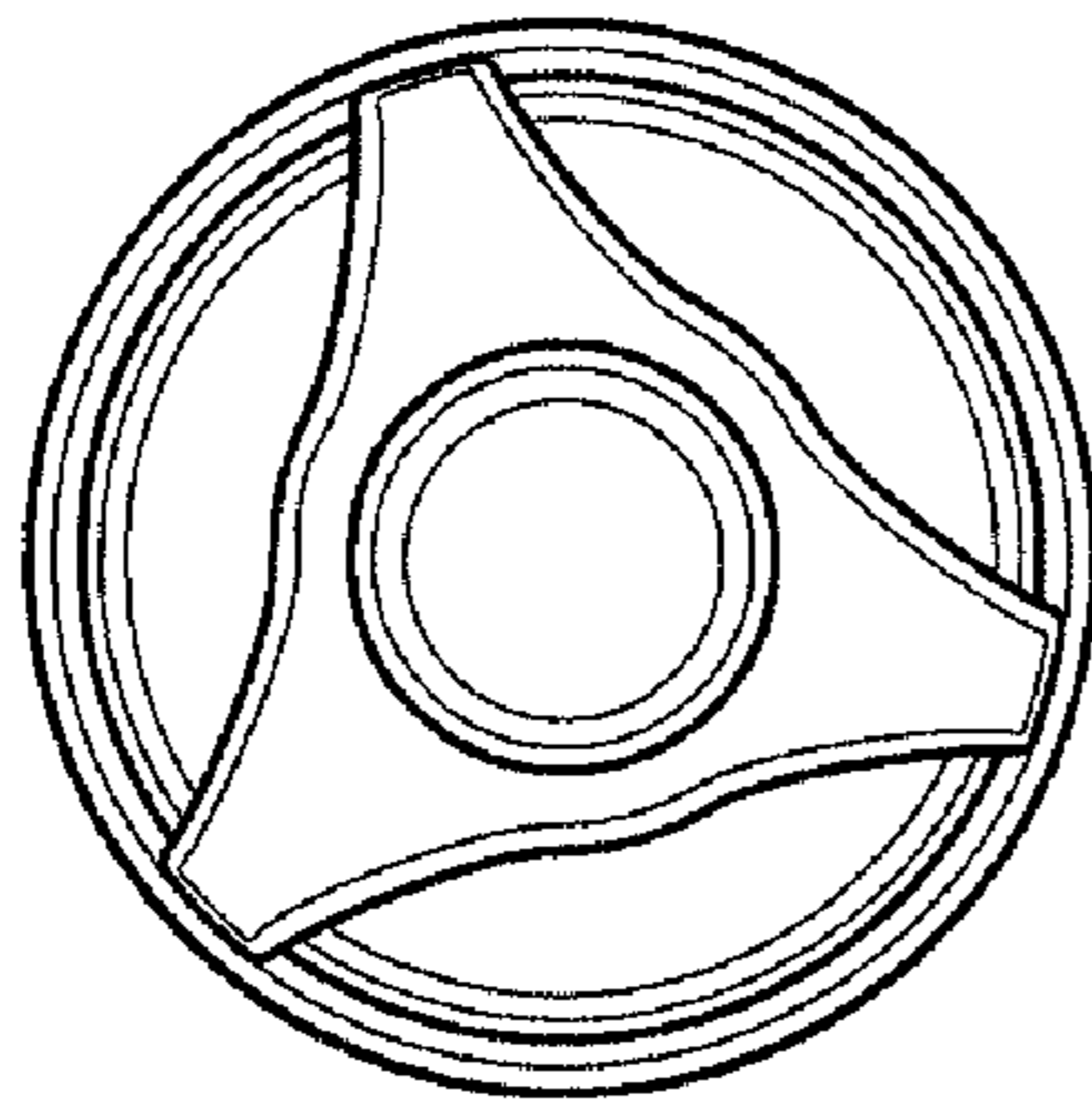


FIG. 2

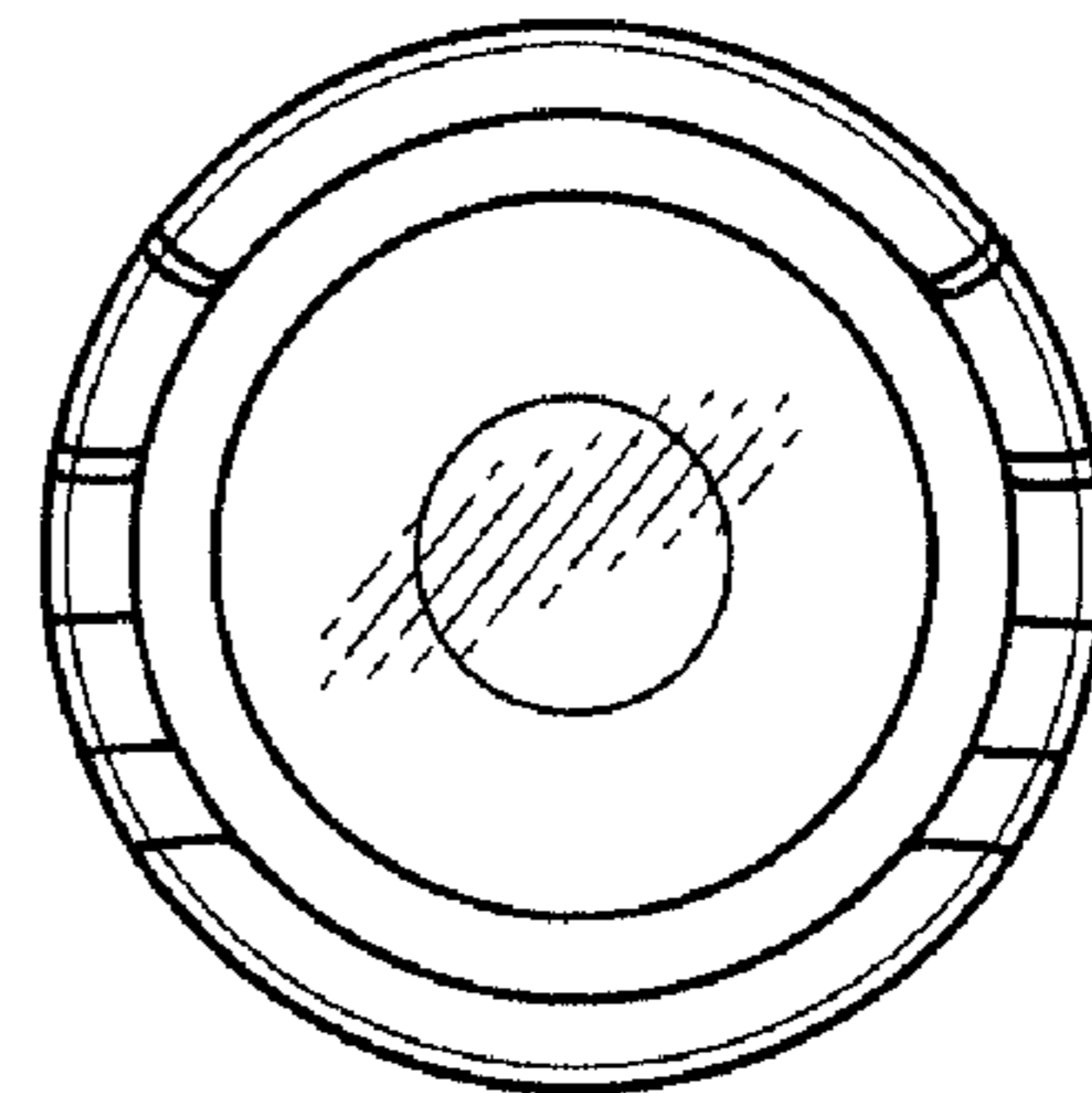


FIG. 3

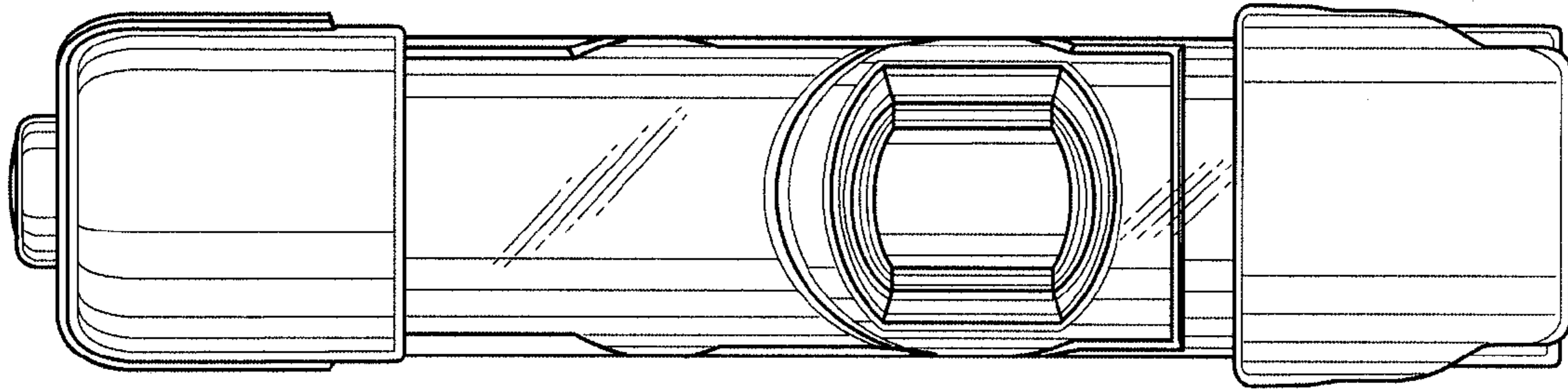


FIG. 4

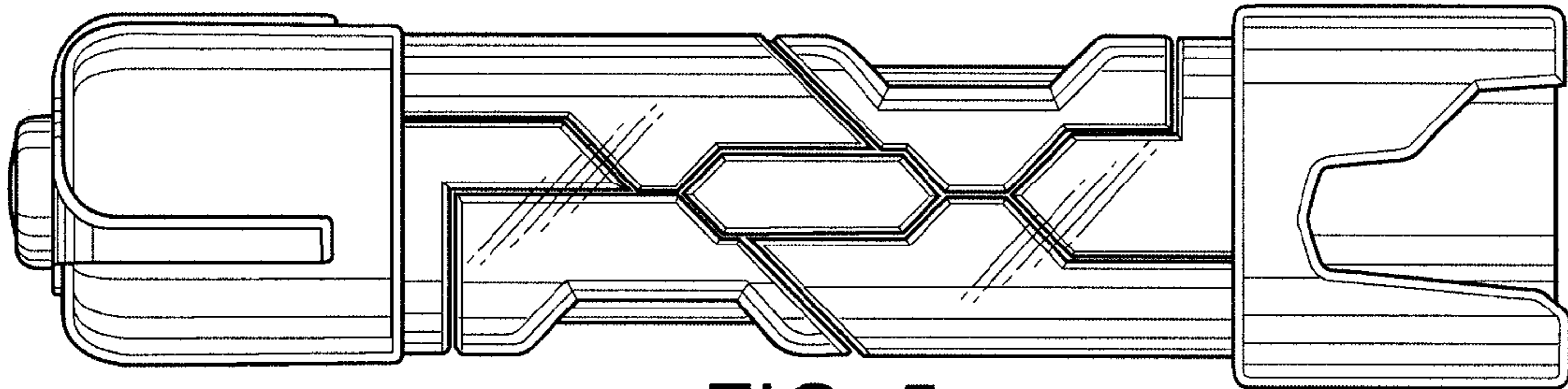


FIG. 5

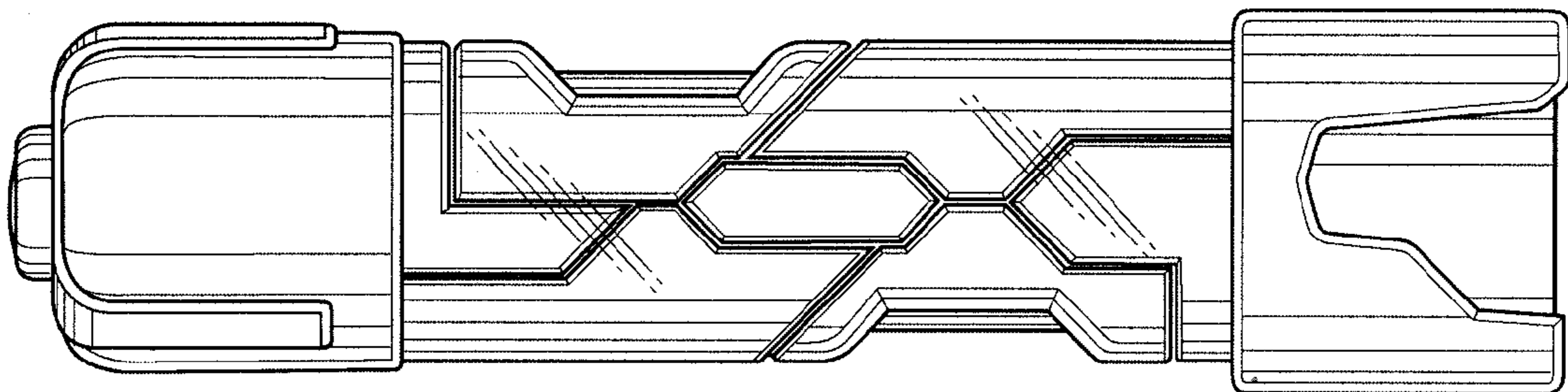


FIG. 6

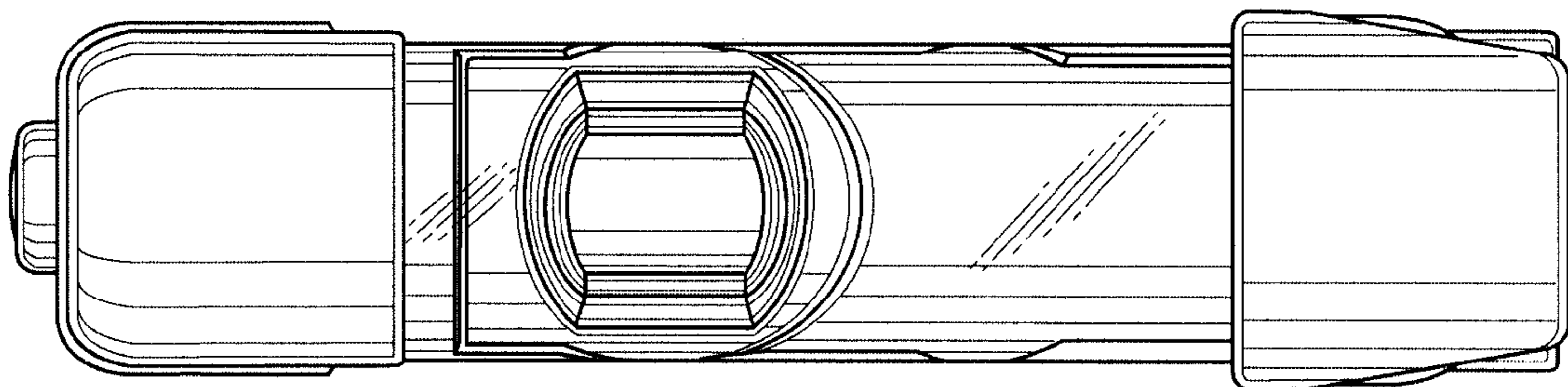


FIG. 7