

US00D565211S

(12) **United States Design Patent**  
**Haller et al.**

(10) **Patent No.:** **US D565,211 S**  
(45) **Date of Patent:** **\*\* Mar. 25, 2008**

(54) **TAILLIGHT FOR A VEHICLE**

(75) Inventors: **Uwe Haller**, Esslingen (DE); **Peter Pfeiffer**, Boeblingen (DE)

(73) Assignee: **DaimlerChrysler AG**, Stuttgart (DE)

(\*\*) Term: **14 Years**

(21) Appl. No.: **29/287,153**

(22) Filed: **Jul. 3, 2007**

(51) **LOC (8) Cl.** ..... **26-06**

(52) **U.S. Cl.** ..... **D26/28**

(58) **Field of Classification Search** ..... D26/28-36;  
362/459-468, 475-478, 485-487

See application file for complete search history.

(56) **References Cited**

U.S. PATENT DOCUMENTS

|              |         |               |       |        |
|--------------|---------|---------------|-------|--------|
| D455,508 S * | 4/2002  | Sinkwitz      | ..... | D26/28 |
| D465,039 S * | 10/2002 | Murkett       | ..... | D26/28 |
| D490,170 S * | 5/2004  | Metros et al. | ..... | D26/28 |
| D491,298 S * | 6/2004  | Hall et al.   | ..... | D26/28 |
| D539,450 S * | 3/2007  | Pfeiffer      | ..... | D26/28 |
| D540,480 S * | 4/2007  | Pfeiffer      | ..... | D26/28 |
| D553,268 S * | 10/2007 | Pfeiffer      | ..... | D26/28 |

\* cited by examiner

*Primary Examiner*—Marcus A. Jackson

(74) *Attorney, Agent, or Firm*—Crowell & Moring LLP

(57) **CLAIM**

The ornamental design for a taillight for a vehicle, as shown and described.

**DESCRIPTION**

This application is related to the following co-pending applications, filed on even date herewith: Application Ser. No. 29/287,155, entitled “Vehicle, Toy, and/or Other Replicas”; and Application Ser. No. 29/287,154, entitled “Rear Portion of a Vehicle, Toy, and/or Other Replicas”.

FIG. 1 is a perspective view of the left side of a taillight for a vehicle showing our new design;

FIG. 2 is a front view thereof; and

FIG. 3 is a side view thereof.

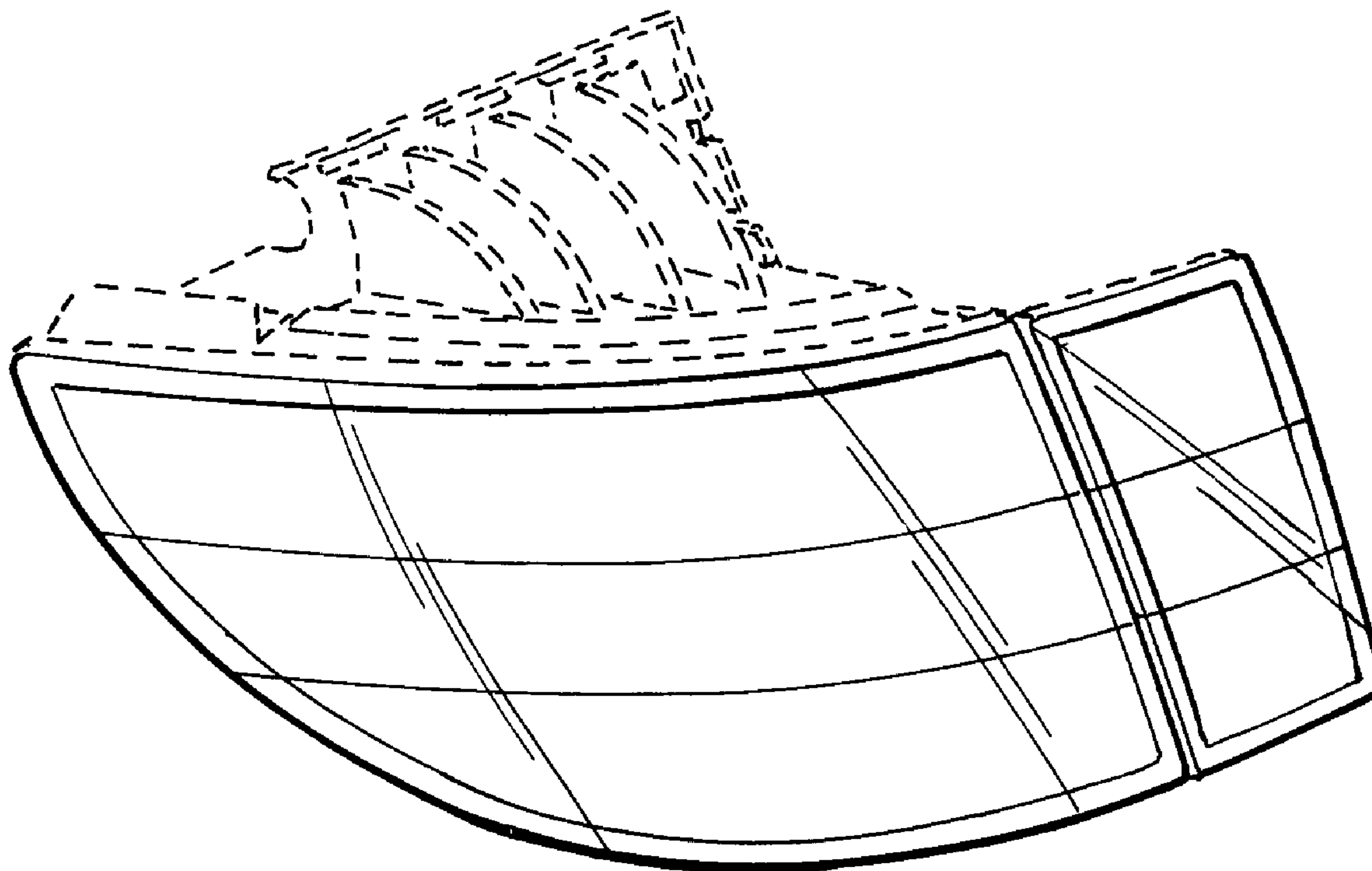
FIG. 4 is a perspective view of the right side of a taillight for a vehicle;

FIG. 5 is a front view thereof; and,

FIG. 6 is a side view thereof.

The broken lines are for illustrative purposes only and form no part of the claimed design. Also enclosed is a set of photographs of an embodiment of the invention.

**1 Claim, 2 Drawing Sheets**



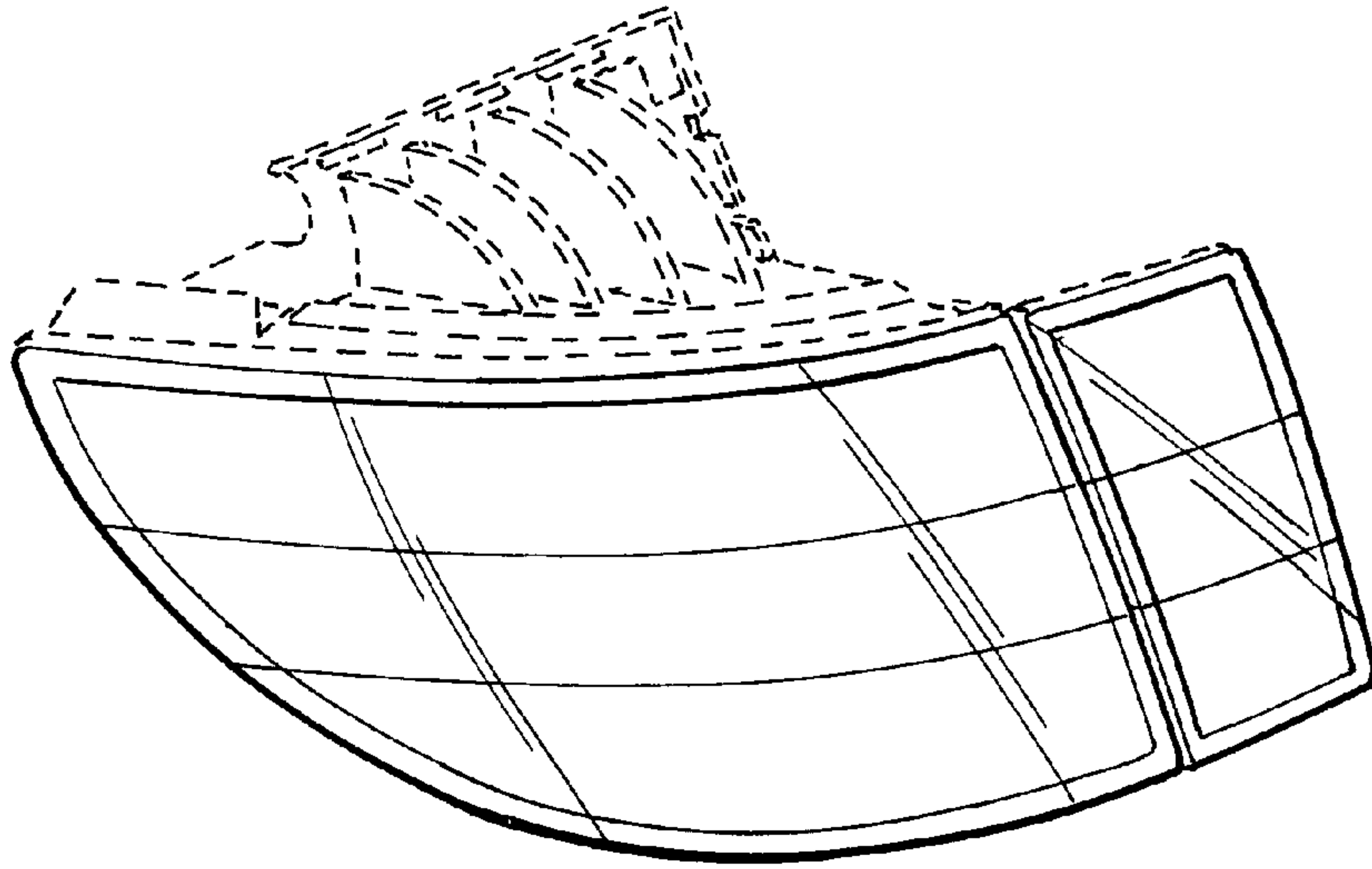


FIG. 1

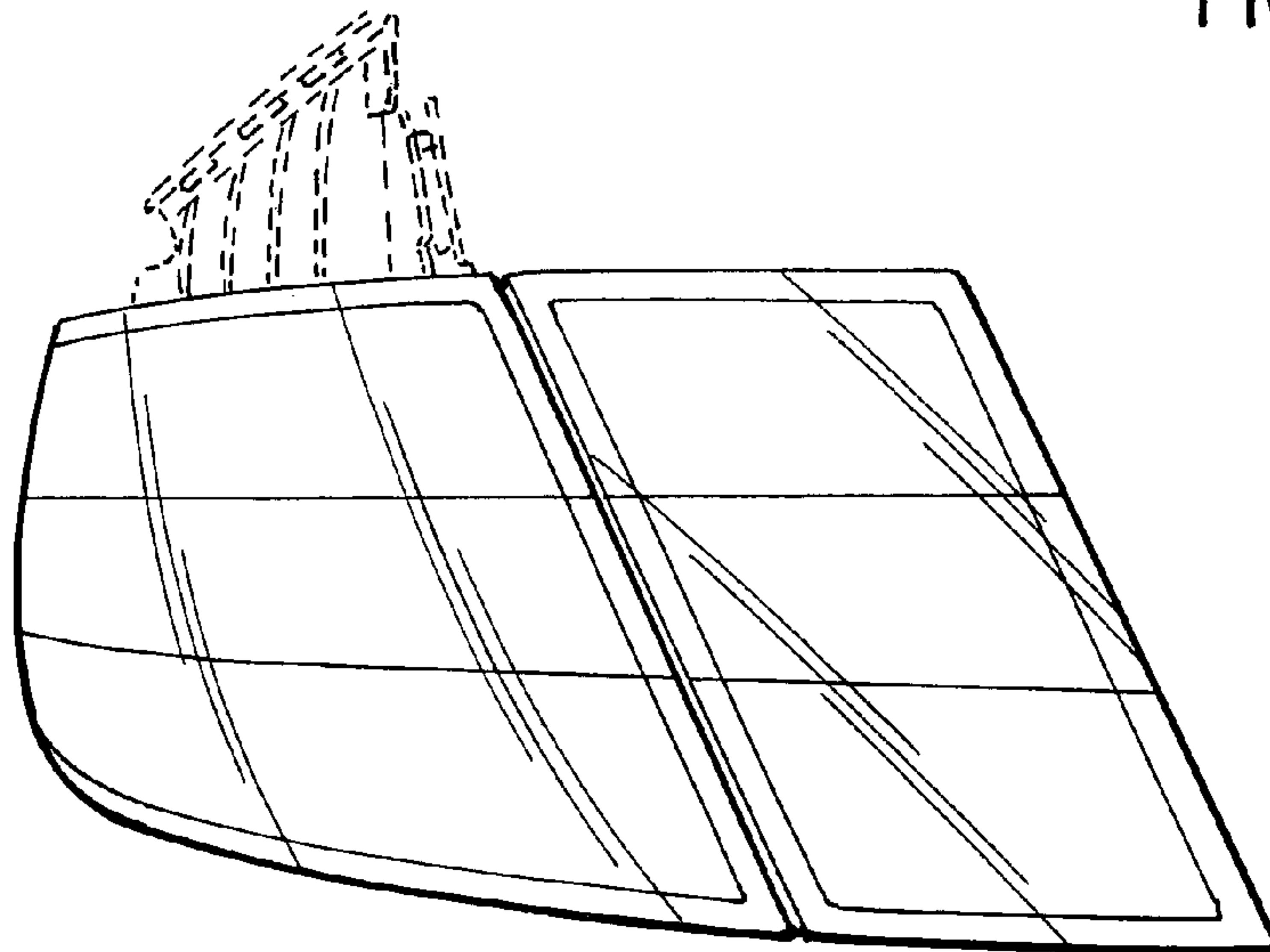


FIG. 2

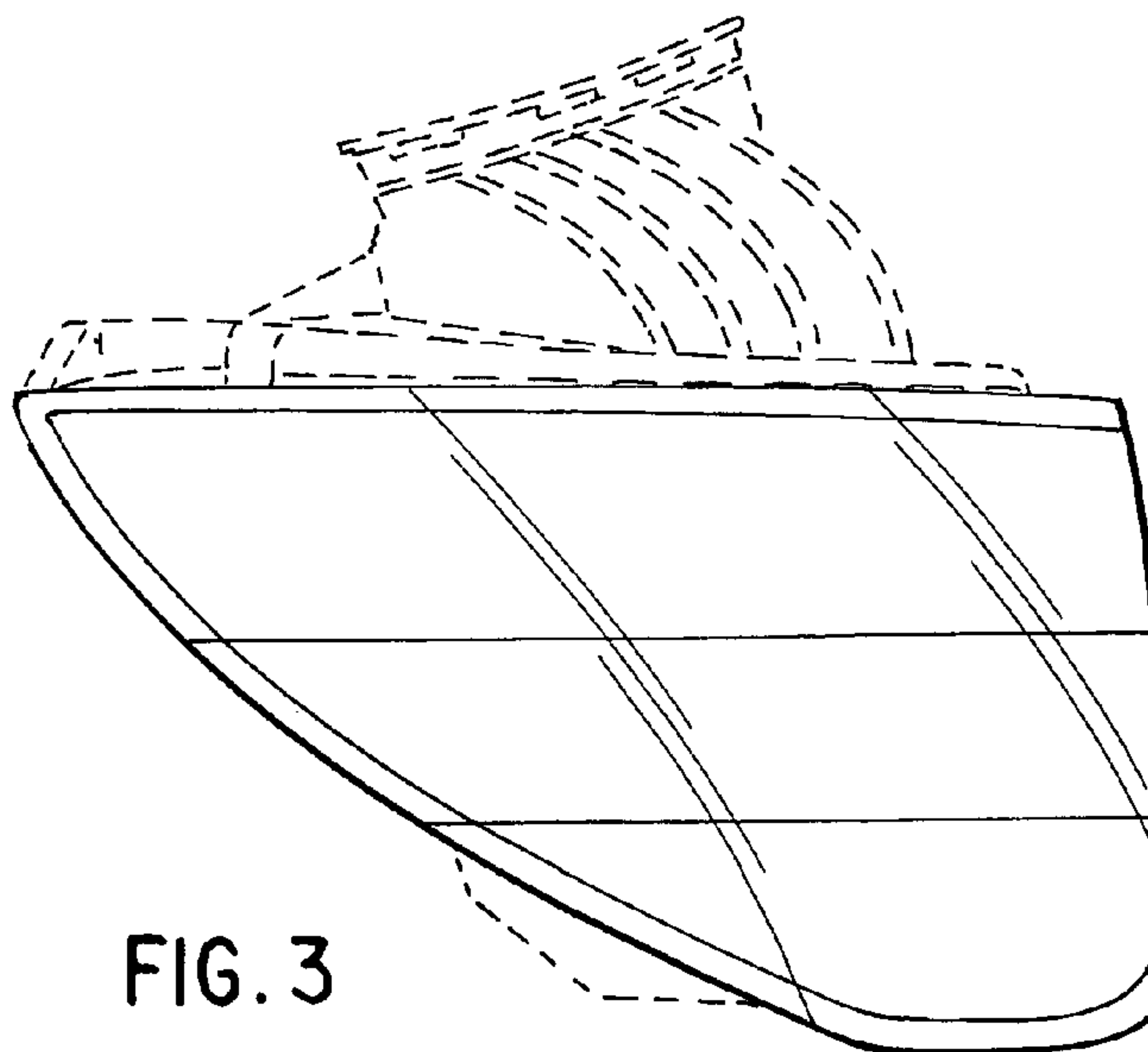


FIG. 3

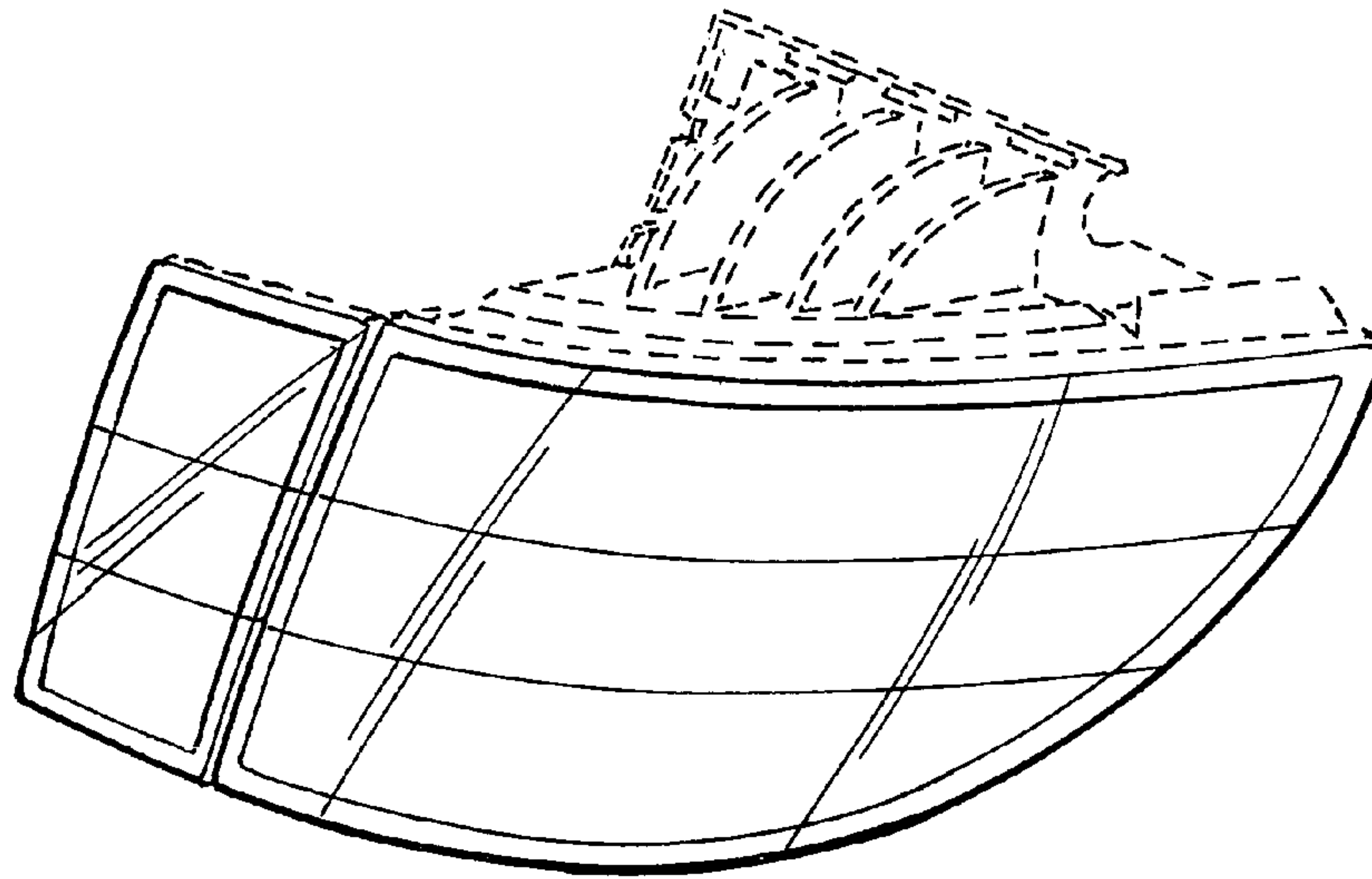


FIG. 4

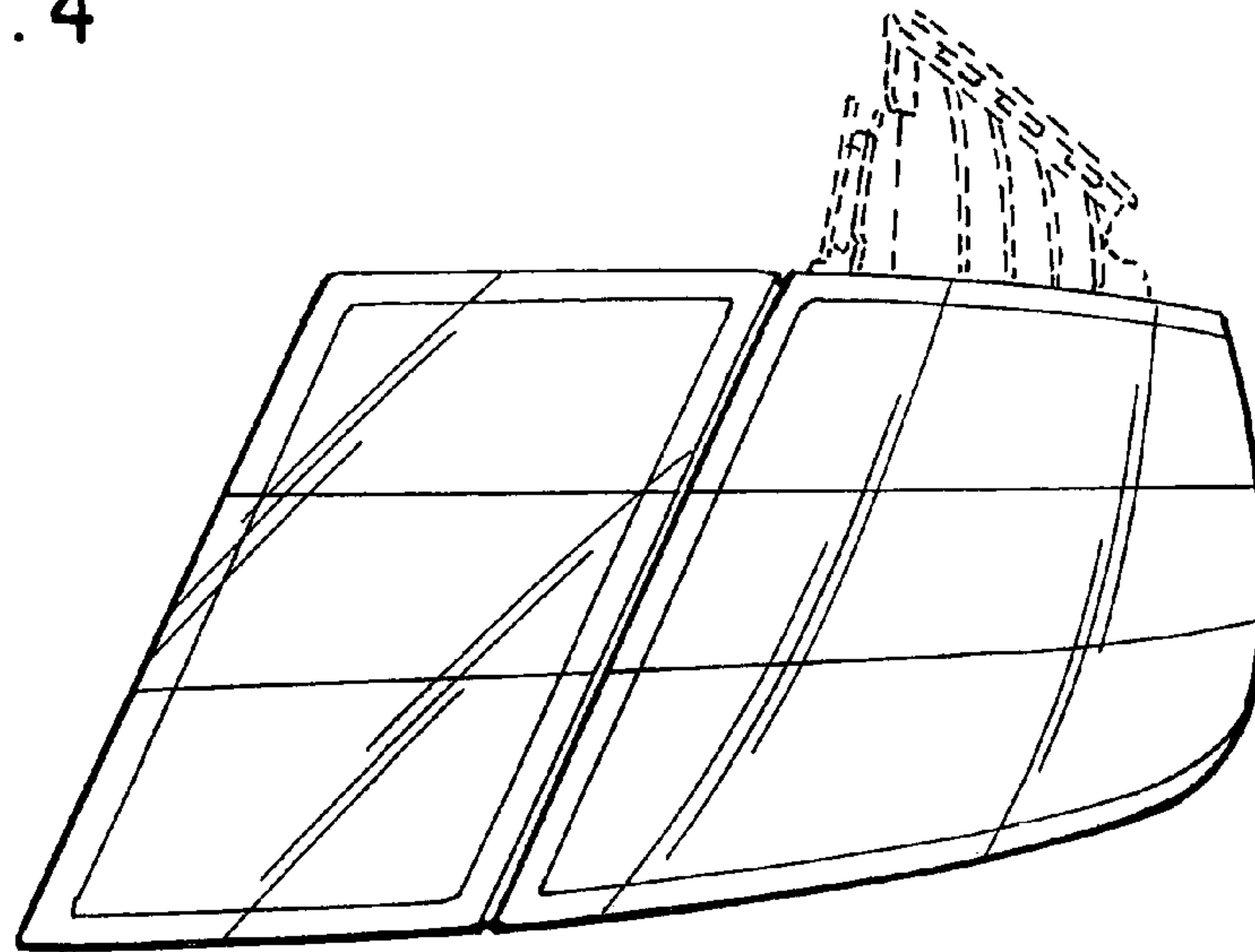


FIG. 5

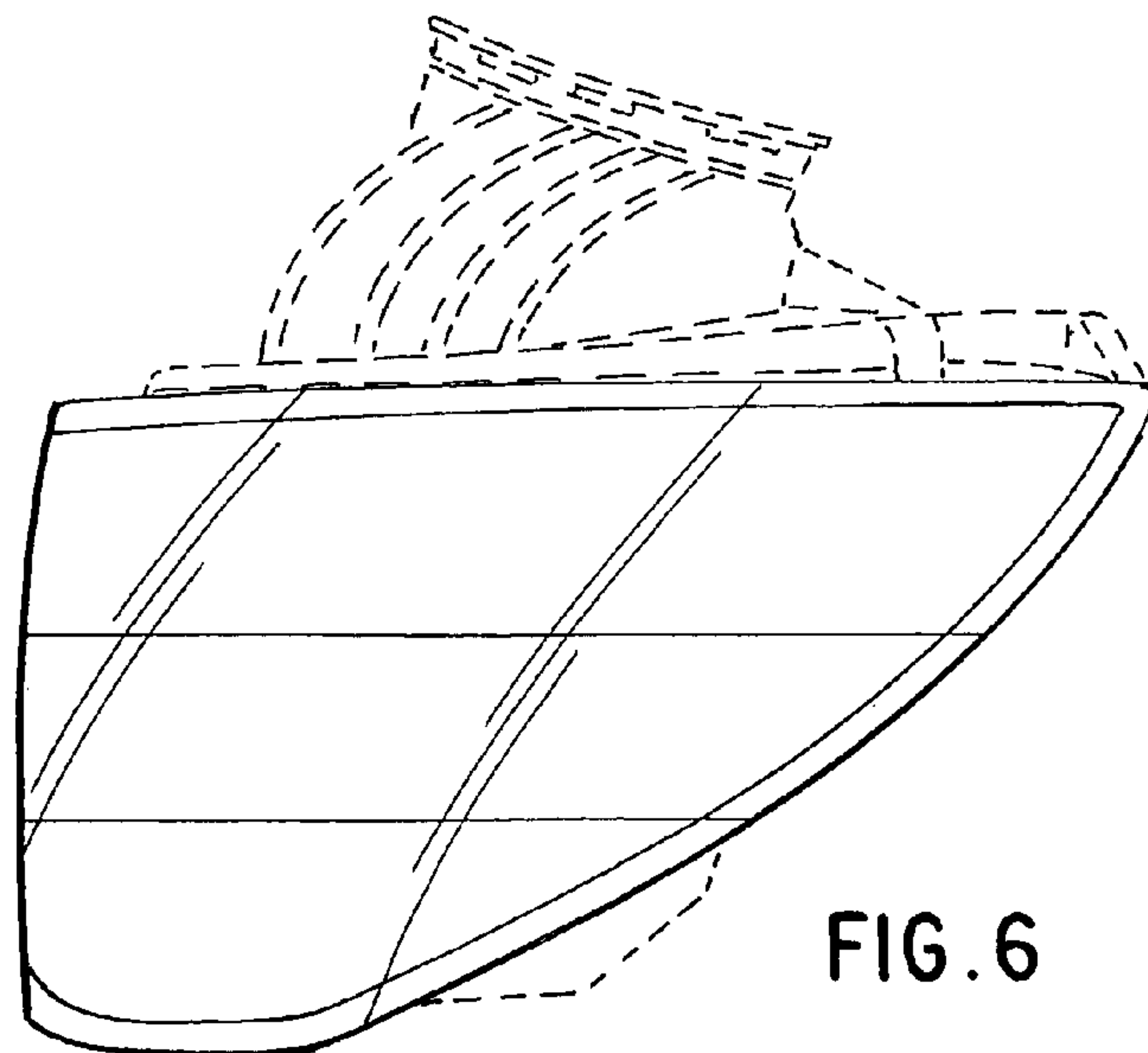


FIG. 6