

US00D565209S

(12) **United States Design Patent** (10) **Patent No.:** **US D565,209 S**  
**Van Dyn Hoven** (45) **Date of Patent:** **\*\* Mar. 25, 2008**

(54) **STAR LIGHT STRING**

(75) Inventor: **Victoria Jean Van Dyn Hoven**,  
Stevens Point, WI (US)

(73) Assignee: **Vickie Jean's Creations**, Plover, WI  
(US)

(\*\*) Term: **14 Years**

(21) Appl. No.: **29/280,318**

(22) Filed: **May 23, 2007**

(51) **LOC (8) Cl.** ..... **26-04**

(52) **U.S. Cl.** ..... **D26/25**

(58) **Field of Classification Search** ..... D26/4,  
D26/24, 25, 26, 27, 72, 73, 85, 86, 87, 101,  
D26/125; D11/117, 121, 124, 125, 96; D99/23,  
D99/27; D23/366; 362/555, 236, 252, 121,  
362/554, 556, 566, 567, 576, 581, 122, 147,  
362/641, 644, 653, 654, 241, 244, 297, 806,  
362/807; 428/3, 11, 24

See application file for complete search history.

(56) **References Cited**

**U.S. PATENT DOCUMENTS**

|               |         |                 |       |         |
|---------------|---------|-----------------|-------|---------|
| D96,362 S *   | 7/1935  | Abramson        | ..... | D26/4   |
| 2,095,648 A   | 10/1937 | Oftedahl        |       |         |
| 2,145,737 A * | 1/1939  | Sadacca         | ..... | 362/121 |
| 2,153,395 A * | 4/1939  | Sadacca         | ..... | 428/11  |
| D121,522 S *  | 7/1940  | Petry           | ..... | D26/4   |
| 2,357,425 A * | 9/1944  | Price           | ..... | 428/11  |
| 2,486,636 A   | 11/1949 | Egle            |       |         |
| 4,039,894 A   | 8/1977  | Gardner, III    |       |         |
| 4,339,787 A * | 7/1982  | Burnbaum        | ..... | 362/121 |
| 4,733,488 A * | 3/1988  | Yokoyama et al. | ..... | 40/544  |
| 4,930,053 A * | 5/1990  | Vaught          | ..... | 362/121 |
| 5,436,817 A   | 7/1995  | Wotton et al.   |       |         |
| D381,440 S *  | 7/1997  | Cheung          | ..... | D26/4   |
| D425,233 S *  | 5/2000  | Liu             | ..... | D26/73  |
| 6,377,222 B1  | 4/2002  | Nicholson       |       |         |

(Continued)

**OTHER PUBLICATIONS**

Star string lights, web archive date Jan. 9, 2006, accessed on Nov. 5, 2007, <http://www.webarchive.org/web/20060109114541/http://www.plumparty.com/partysupplies/19049.html>.\*

(Continued)

*Primary Examiner*—Freda S. Nunn

*Assistant Examiner*—Angela J Lee

(74) *Attorney, Agent, or Firm*—Rathe Patent & IP Law

(57) **CLAIM**

I claim the ornamental design for a star light string, as shown and described.

**DESCRIPTION**

The present application is related to co-pending U.S. patent application Ser. No. 29/263,369 filed on Jul. 21, 2006 by Victoria Jean Dyn Hoven; co-pending U.S. patent application Ser. No. 29/279,397 filed Apr. 30, 2007 by Vickie Jean Van Dyn Hoven; co-pending U.S. patent application Ser. No. 29/279,398 Apr. 30, 2007 by Vickie Jean Van Dyn Hoven; co-pending U.S. patent application Ser. Nos. 29/263,370; 29/263,389 and 29/263,371 by Victoria Jean Van Dyn Hoven, each of which was filed on Jul. 21, 2006 and are entitled Star Bulb, the full disclosures of which are each hereby incorporated by reference.

FIG. 1 is a top perspective view of a star light string;

FIG. 2 is an enlarged perspective view thereof;

FIG. 3 is a front elevational view thereof;

FIG. 4 is a rear elevational view thereof;

FIG. 5 is a right side elevational view thereof;

FIG. 6 is a the left side elevational view thereof;

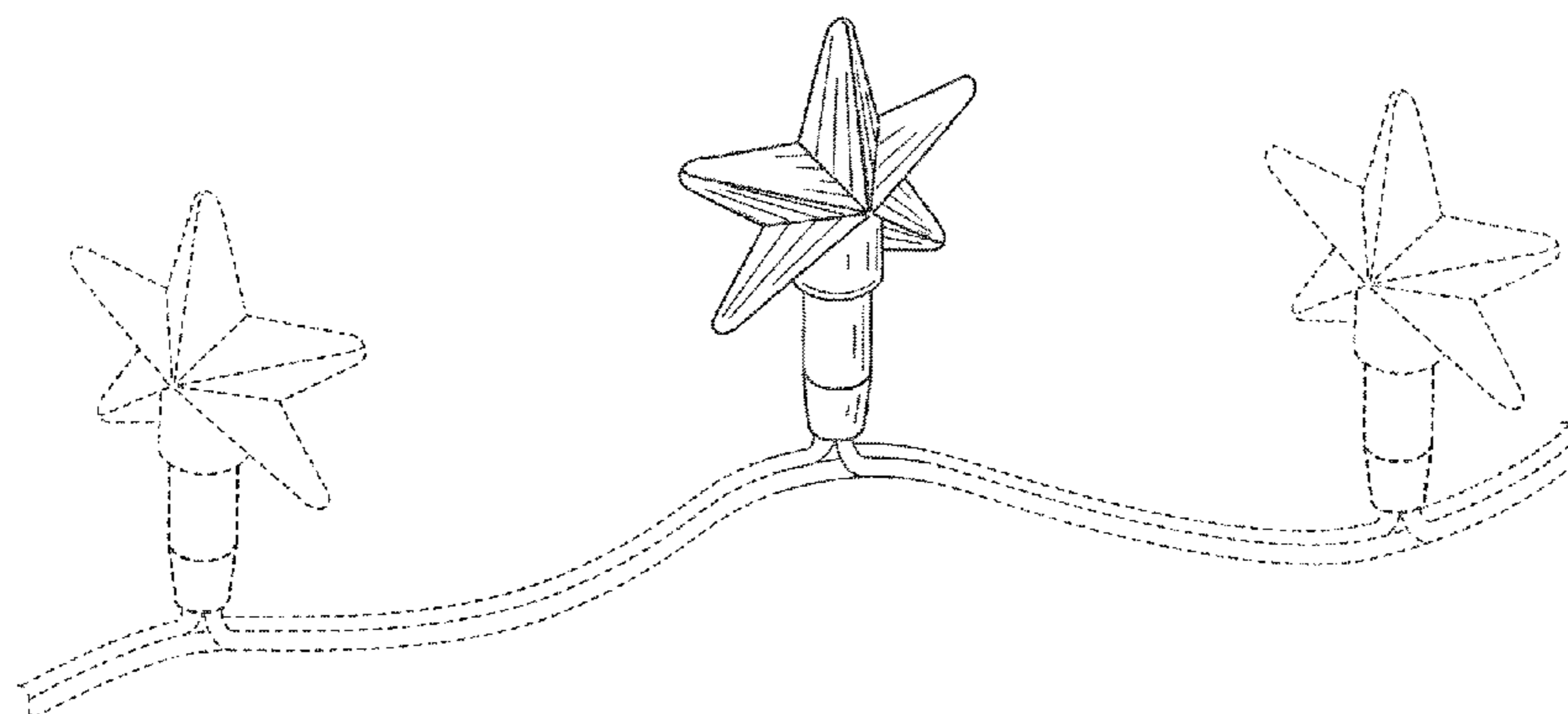
FIG. 7 is a top plan view thereof;

FIG. 8 is a bottom plan view thereof; and,

FIG. 9 is a top perspective view of another embodiment of the star light string of FIG. 1.

The broken line showing of portions of a star light string is included for the purpose of illustrating environmental structure and forms no part of the claimed design.

**1 Claim, 7 Drawing Sheets**



# US D565,209 S

Page 2

---

## U.S. PATENT DOCUMENTS

6,398,386 B1 6/2002 Huang  
D465,594 S 11/2002 Chen  
6,630,773 B1 10/2003 Huang  
6,663,921 B1 \* 12/2003 Quigel ..... 428/12  
D546,982 S \* 7/2007 Van Dyn Hoven ..... D26/4  
2003/0147243 A1 8/2003 Alduby  
2004/0136184 A1 \* 7/2004 Cheng ..... 362/186  
2006/0228472 A1 10/2006 Van Dyn Hoven

## OTHER PUBLICATIONS

iStockphoto, Nov. 30, 2006, accessed on Nov. 5, 2007, [http://www.istockphoto.com/file\\_closeup/?id=2414510&refnum=907837](http://www.istockphoto.com/file_closeup/?id=2414510&refnum=907837).\*

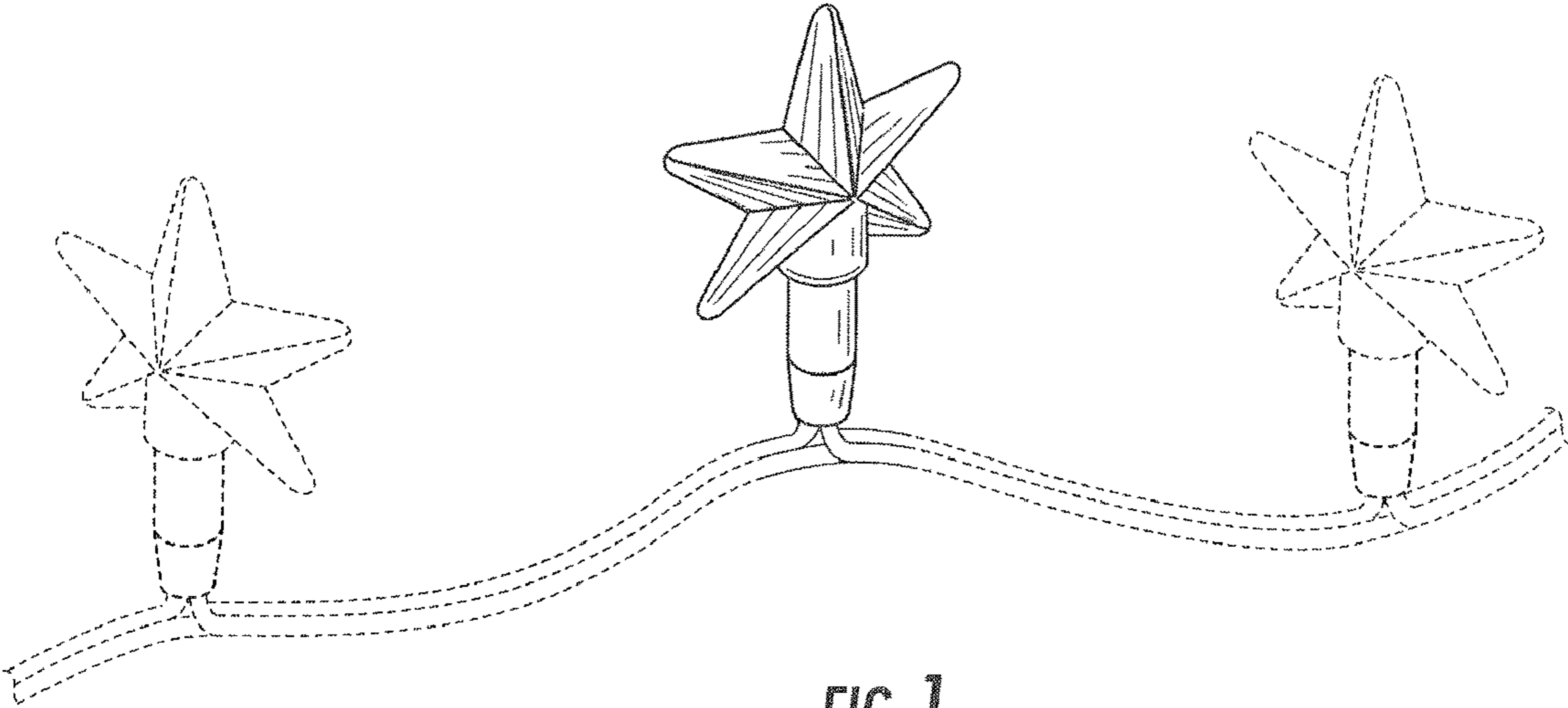
<http://www.vickiejeanscreations.com/>.

<http://store.flowerpatchblessings.com/products/results2.asp?cat=welcomelights>.

<https://shop.softglows.com/categoryNavigationDocument.hg!categoryId=10>.

[http://froogle.google.com/froogle?q="silicon+star"+lamp+&hl=en&sa=X&oi=froogle&ct= title](http://froogle.google.com/froogle?q=).

\* cited by examiner



**FIG. 1**

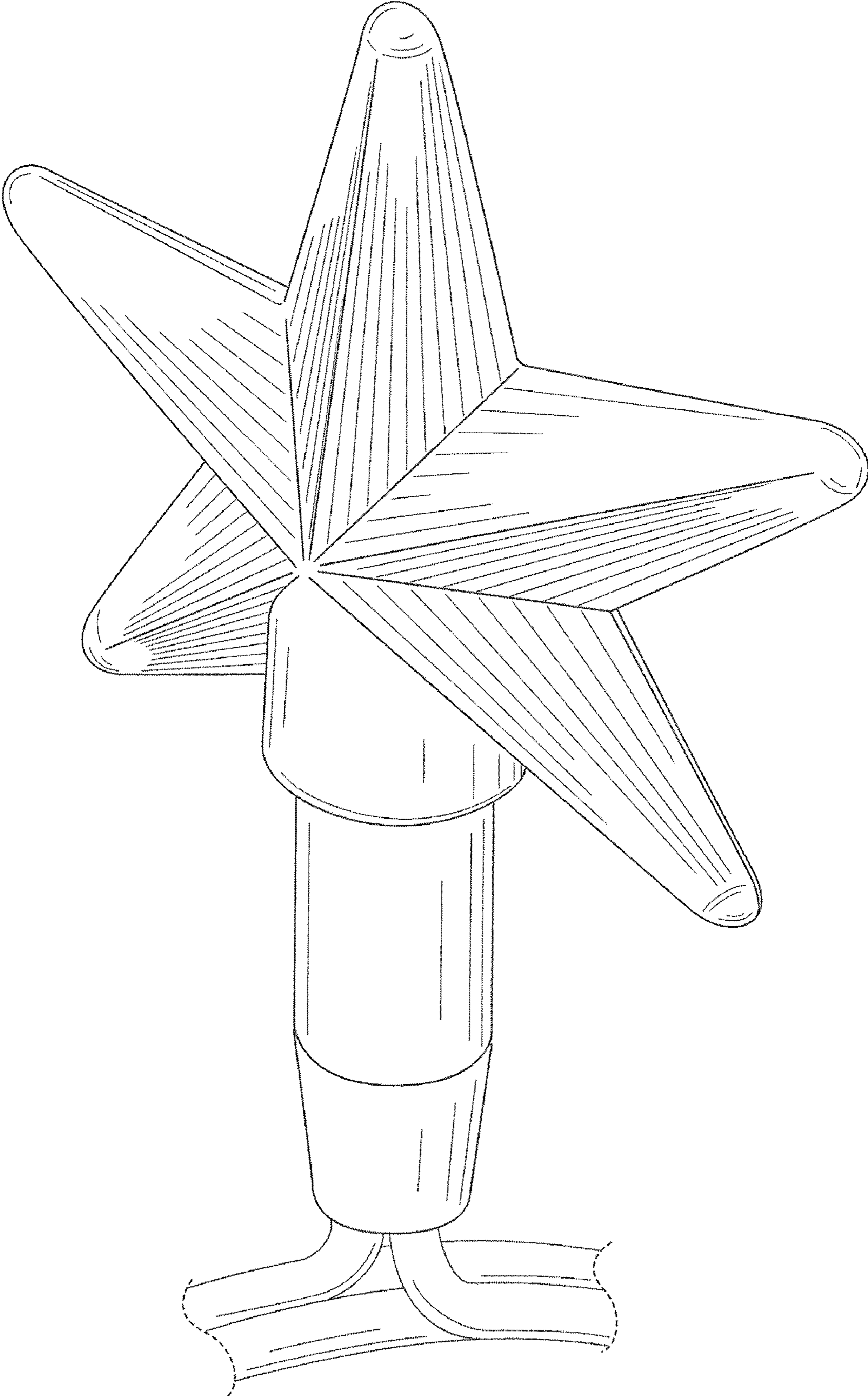


FIG. 2

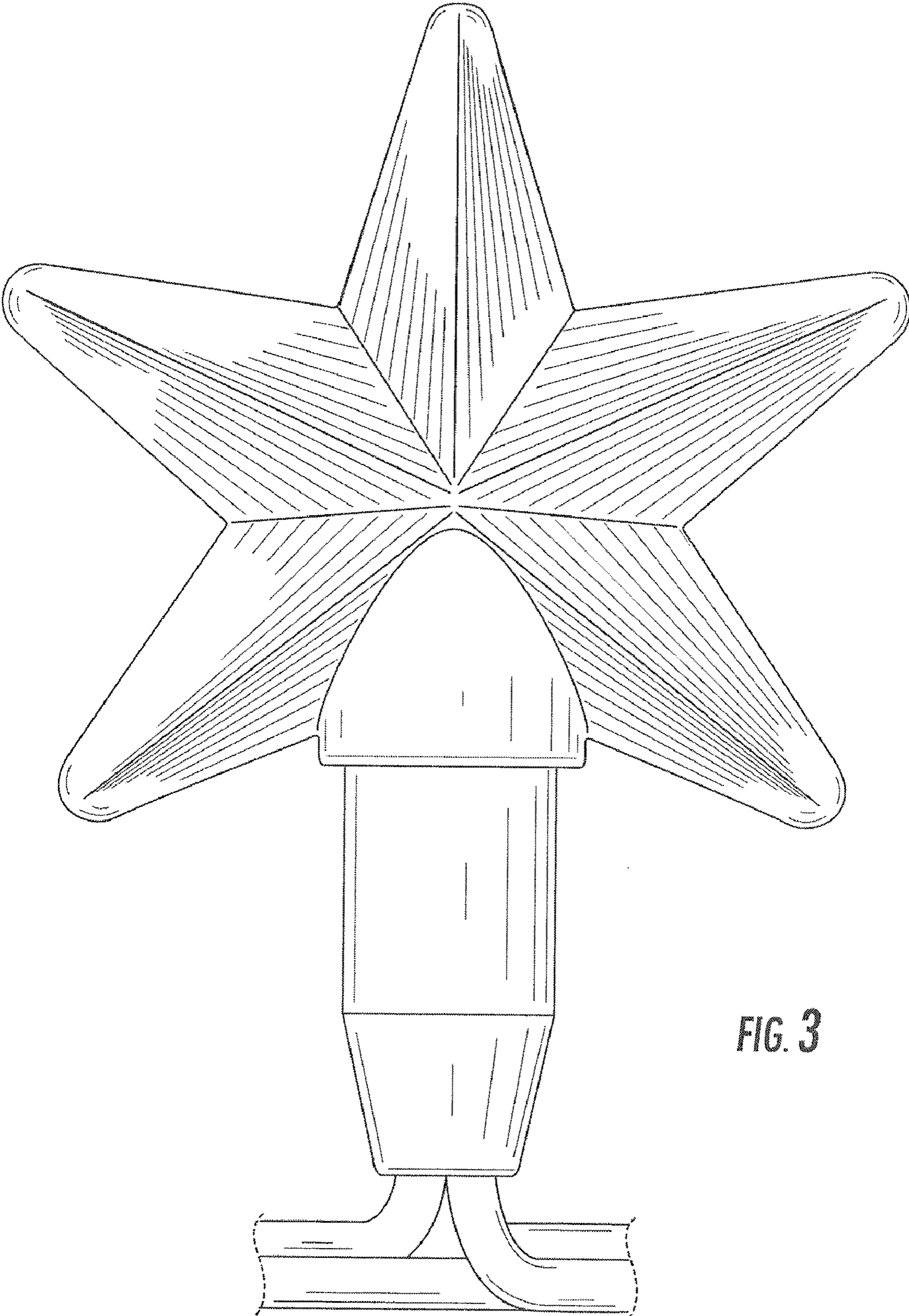


FIG. 3

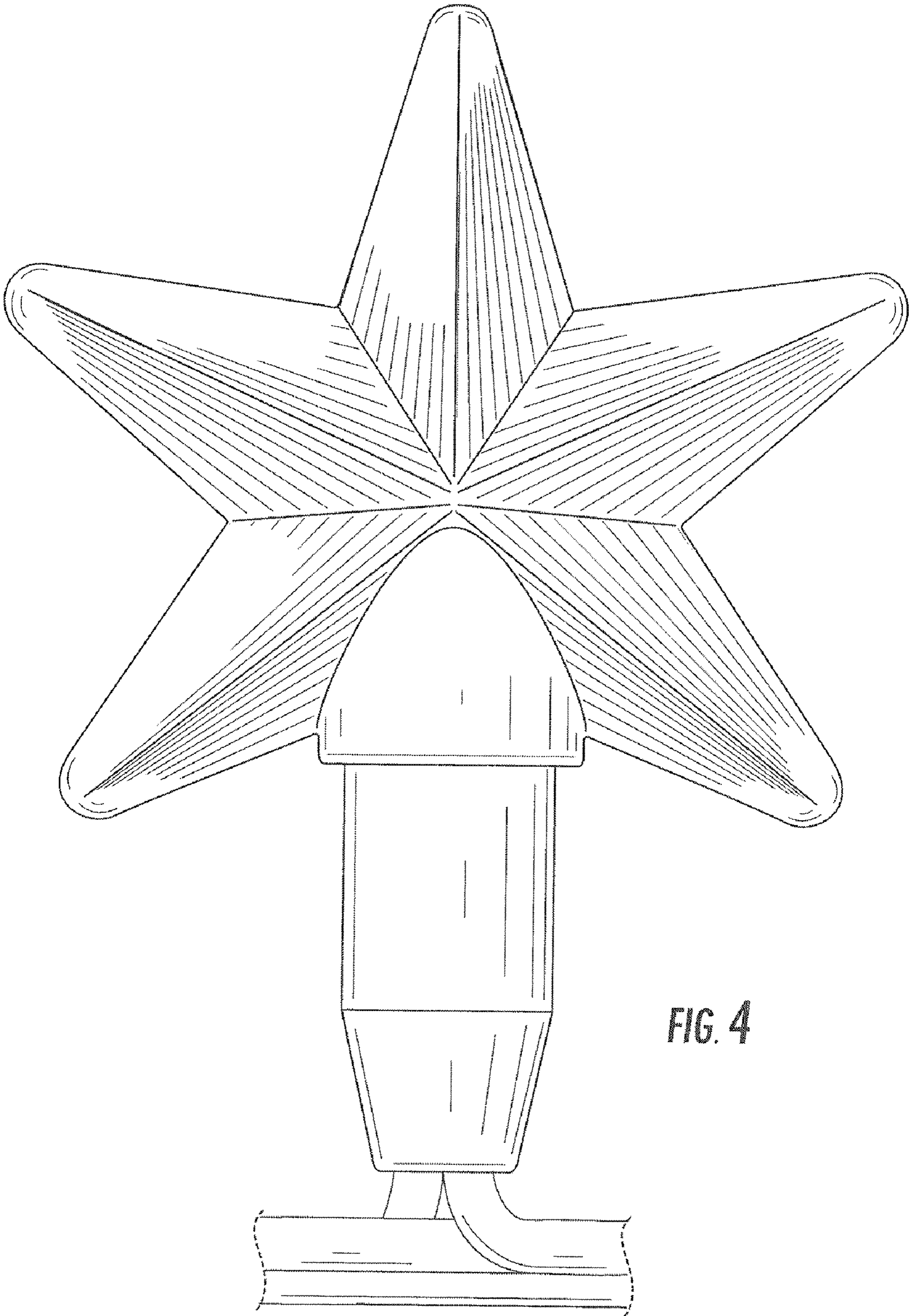
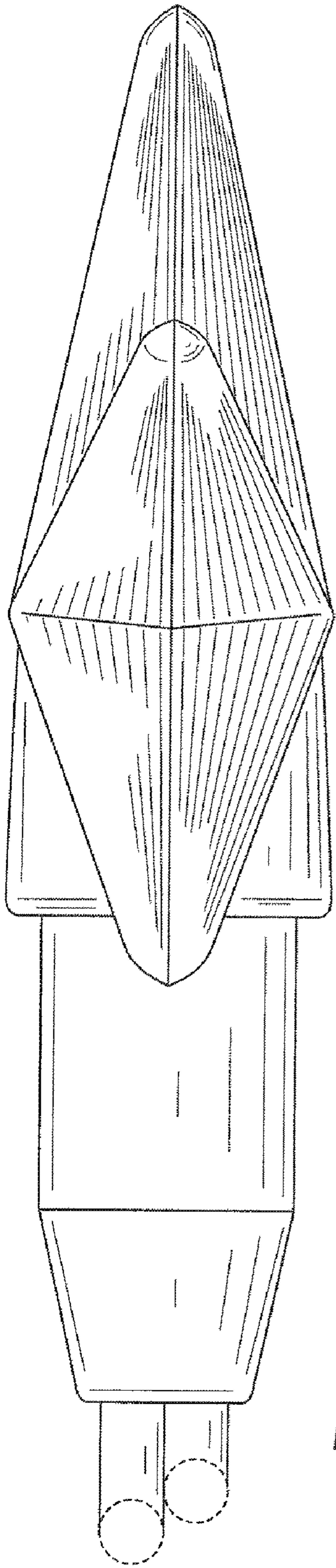
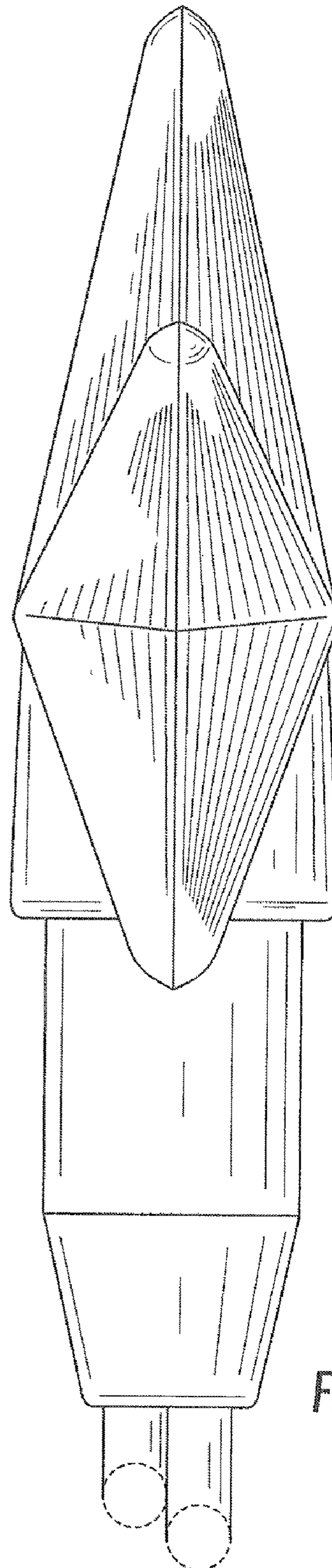


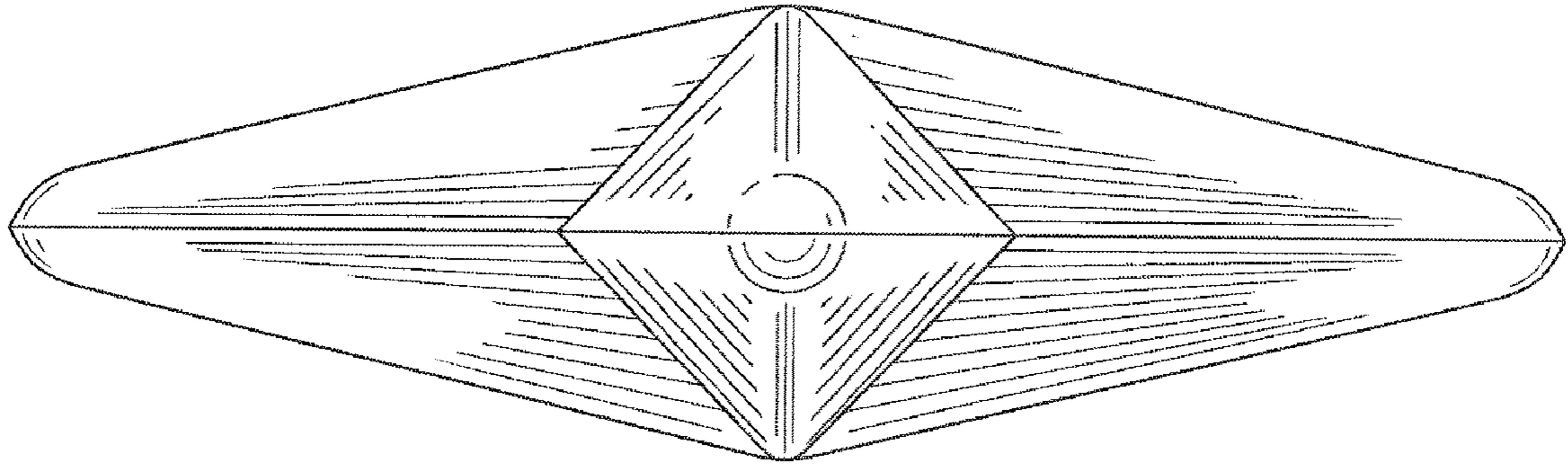
FIG. 4



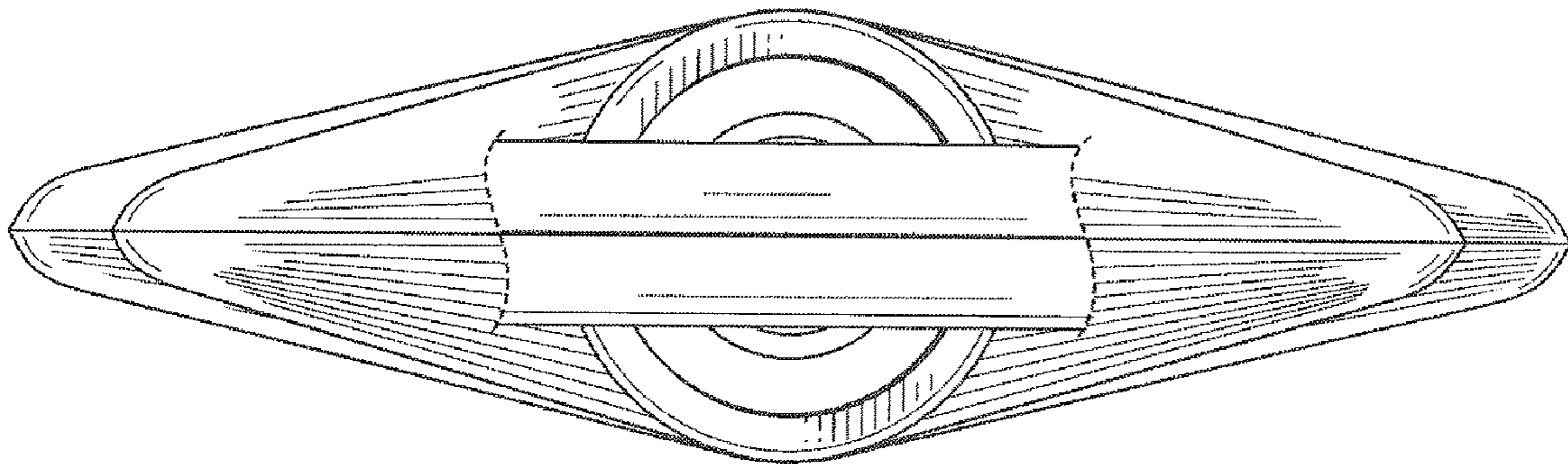
**FIG. 5**



**FIG. 6**



*FIG. 7*



*FIG. 8*



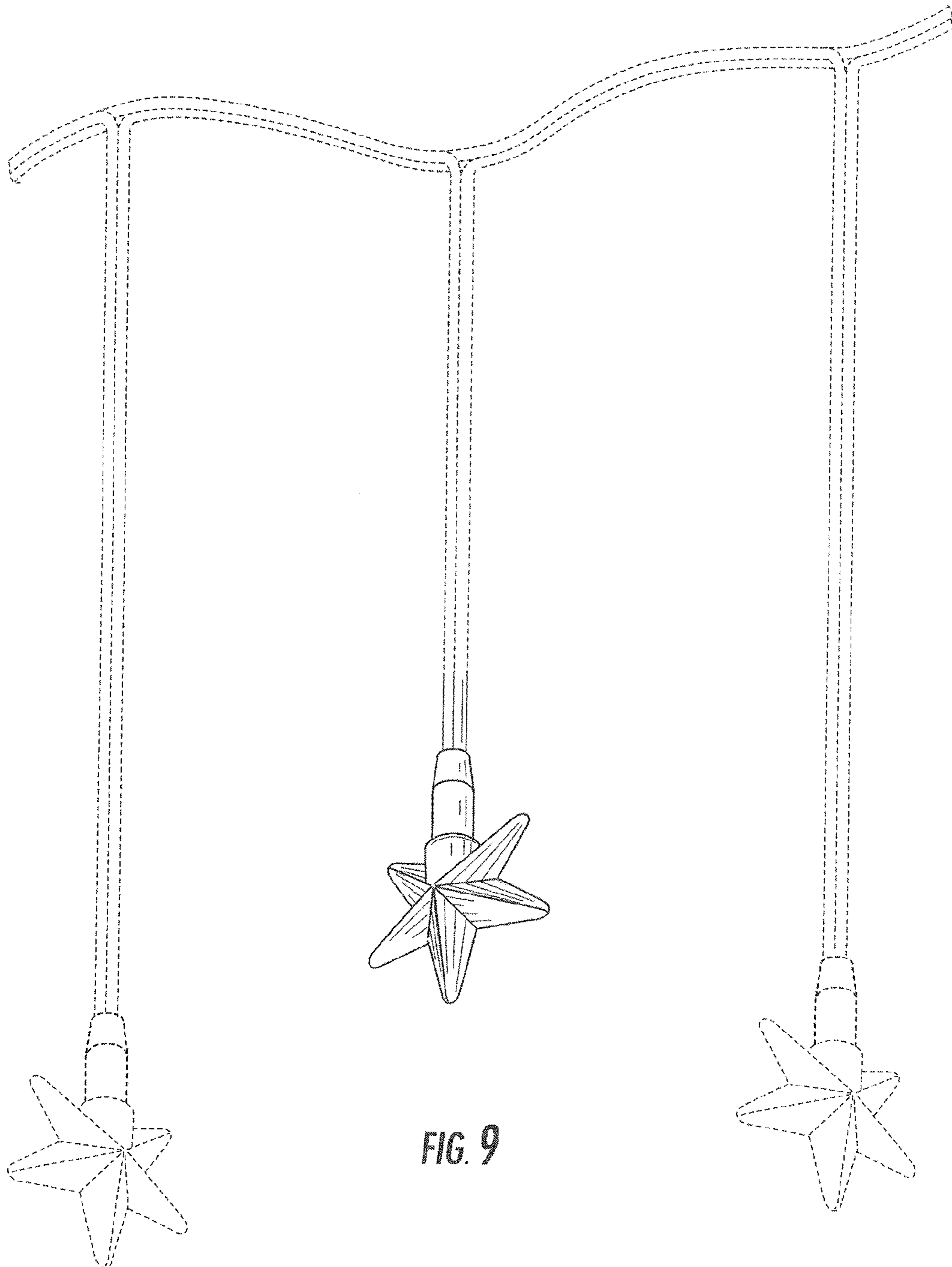


FIG. 9