



US00D565208S

(12) **United States Design Patent**  
**Uemoto et al.**

(10) **Patent No.:** **US D565,208 S**  
(45) **Date of Patent:** **\*\* Mar. 25, 2008**

(54) **LIGHTING APPARATUS**

(75) Inventors: **Takaari Uemoto**, Kadoma (JP); **Keiji Nishimoto**, Kadoma (JP); **Yasuharu Ueno**, Kadoma (JP); **Satoshi Shida**, Kadoma (JP); **Yuji Omata**, Kadoma (JP)

(73) Assignee: **Matsushita Electric Industrial Co., Ltd.**, Osaka (JP)

(\*\*) Term: **14 Years**

(21) Appl. No.: **29/270,327**

(22) Filed: **Dec. 19, 2006**

(30) **Foreign Application Priority Data**

Jun. 20, 2006 (JP) ..... 2006-015927

(51) **LOC (8) Cl.** ..... **26-04**

(52) **U.S. Cl.** ..... **D26/24; D26/1**

(58) **Field of Classification Search** ..... D26/24,  
D26/1, 2, 37, 72, 74, 80, 81, 83, 93, 105,  
D26/113, 25; D13/180, 182; 362/612, 631,  
362/555, 89, 147, 153, 257, 800; 257/79,  
257/80, 82, 88, 433; 313/500

See application file for complete search history.

(56) **References Cited**

**U.S. PATENT DOCUMENTS**

6,492,698 B2 \* 12/2002 Kim et al. .... 257/432  
6,664,563 B2 \* 12/2003 Yamada et al. .... 257/40  
6,740,903 B2 \* 5/2004 Isoda ..... 257/81  
D514,530 S \* 2/2006 Matsui et al. .... D13/180  
D526,972 S \* 8/2006 Egawa et al. .... D13/180  
D529,203 S \* 9/2006 Nagai ..... D26/1

D531,139 S \* 10/2006 Egawa et al. .... D13/180  
D532,383 S \* 11/2006 Nagai et al. .... D13/180  
D535,037 S \* 1/2007 Kim et al. .... D26/1  
D535,262 S \* 1/2007 Saito et al. .... D13/180  
D540,751 S \* 4/2007 Nagai et al. .... D13/180  
D541,761 S \* 5/2007 Saito et al. .... D13/180  
2007/0023769 A1 \* 2/2007 Nishimoto et al. .... 257/88

**FOREIGN PATENT DOCUMENTS**

JP 2003-124528 4/2003

\* cited by examiner

*Primary Examiner*—Cathron Brooks

*Assistant Examiner*—Angela J Lee

(74) *Attorney, Agent, or Firm*—Brinks Hofer Gilson & Lione

(57) **CLAIM**

We claim the ornamental design for a lighting apparatus, as shown and described.

**DESCRIPTION**

FIG. 1 is a top perspective view of a lighting apparatus of the present invention;

FIG. 2 is a front view thereof, the rear view being a mirror image thereof;

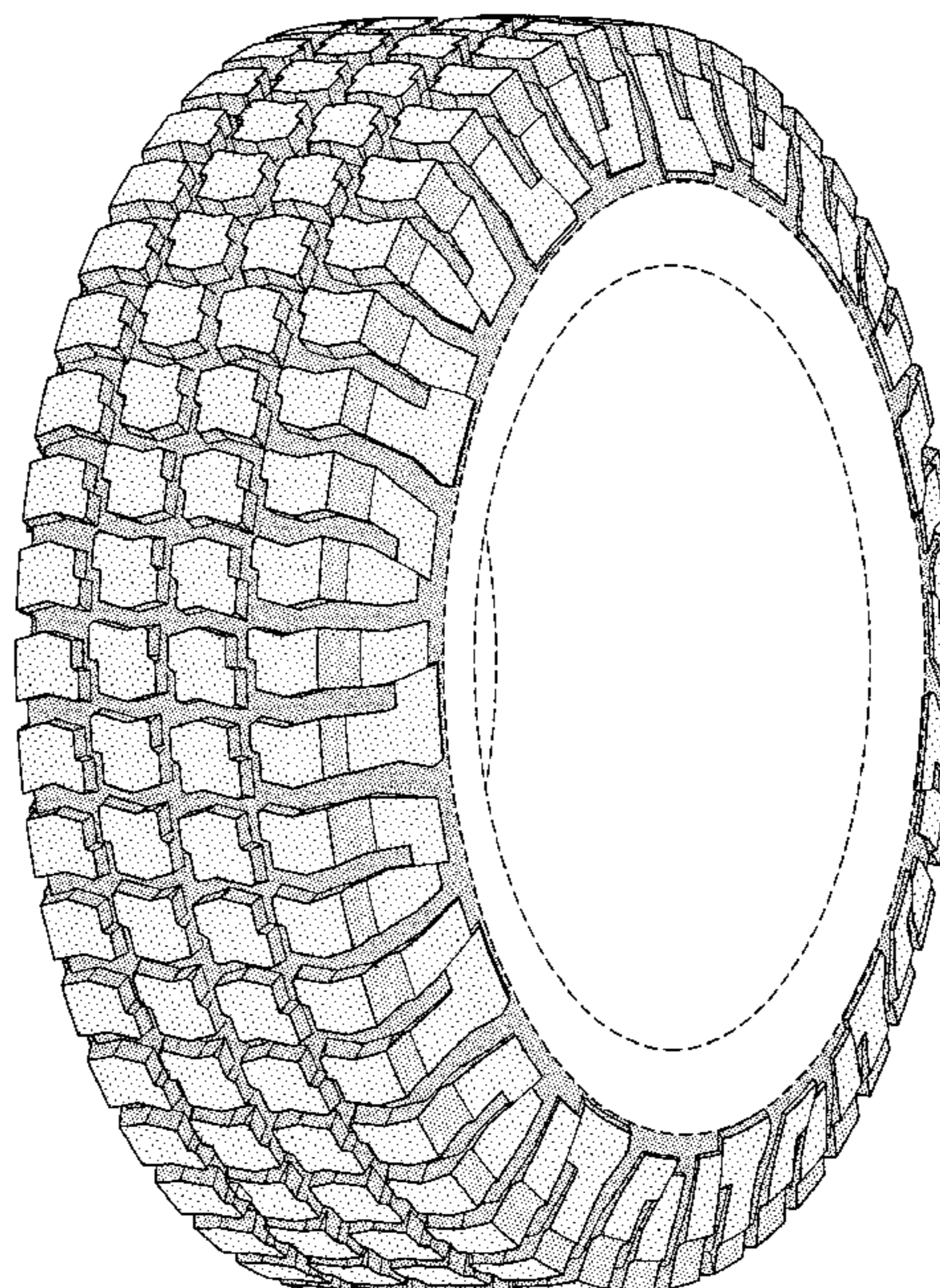
FIG. 3 is a left side view thereof, the right side view being a mirror image thereof;

FIG. 4 is a top view thereof; and,

FIG. 5 is a bottom view thereof.

Hemispherical projections on a substrate are transparent and thus light comes through. The two rectangles are electrodes.

**1 Claim, 5 Drawing Sheets**



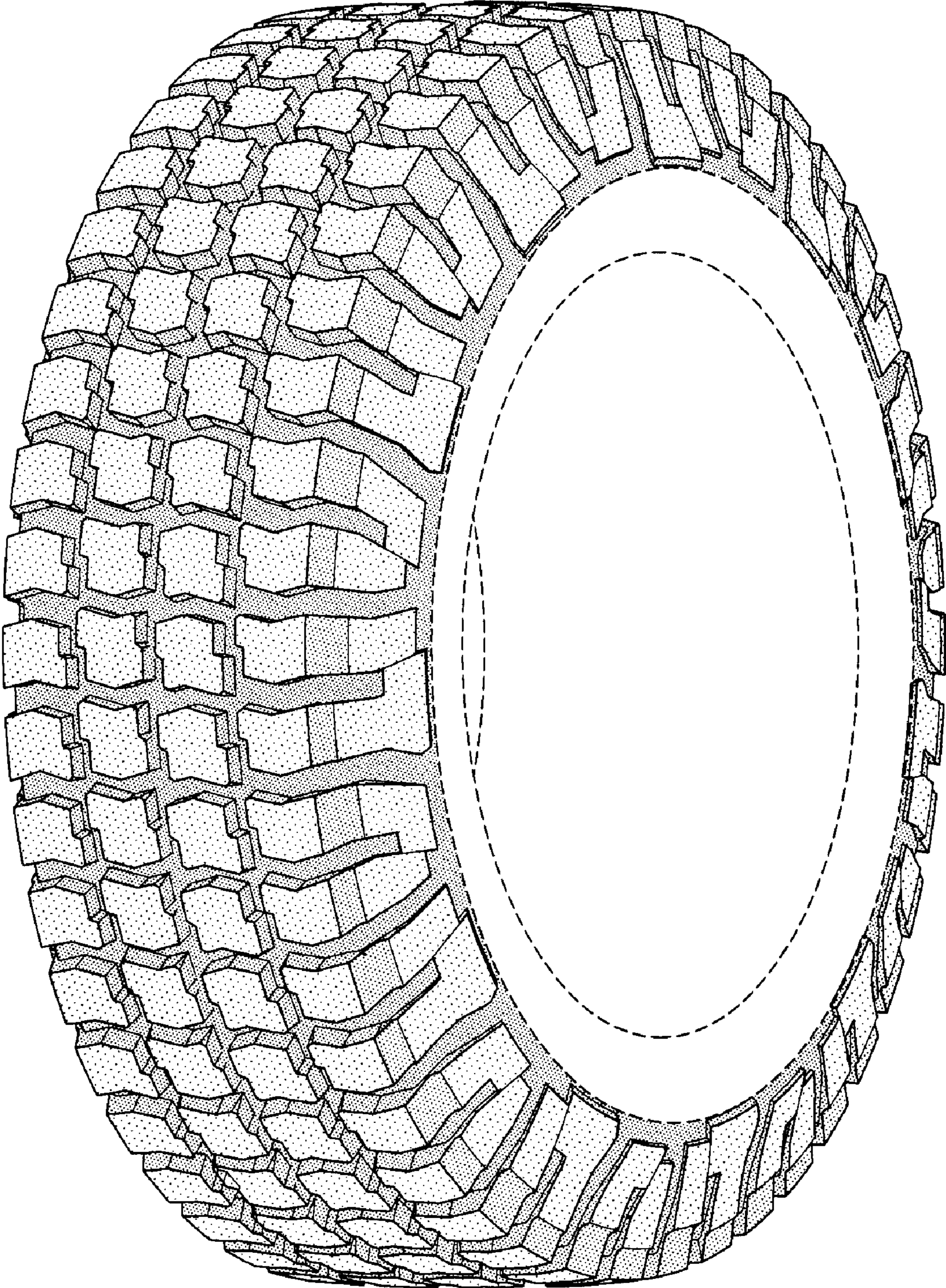


FIG-1

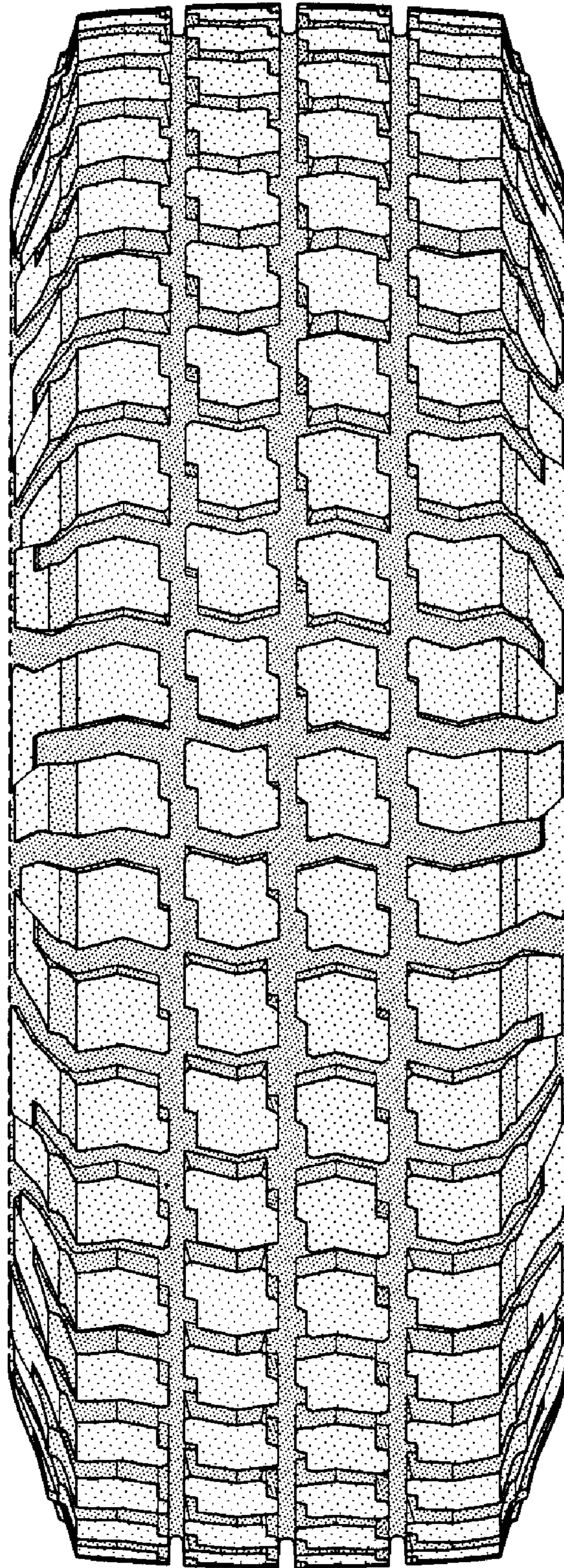


FIG-2

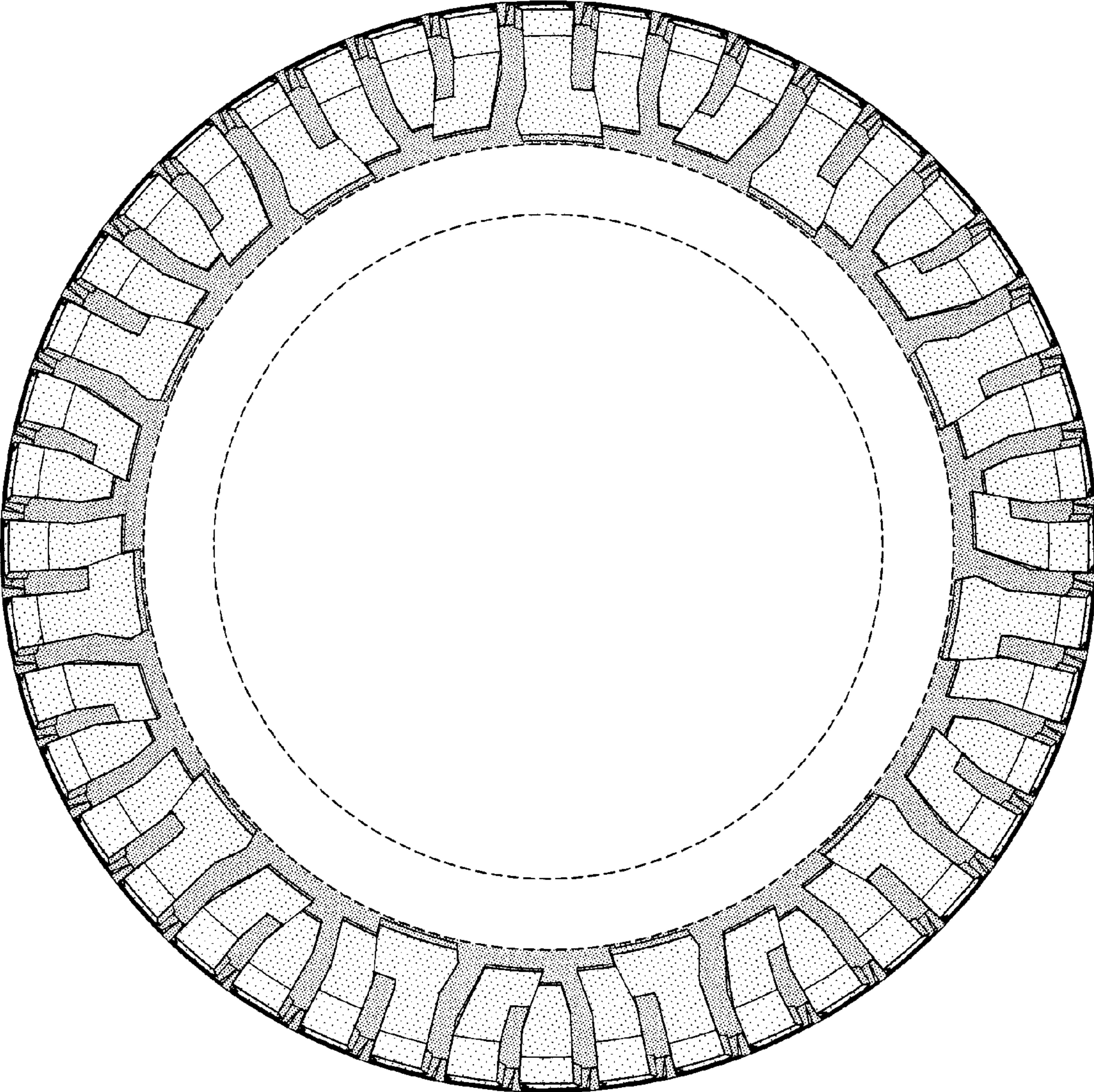


FIG-3

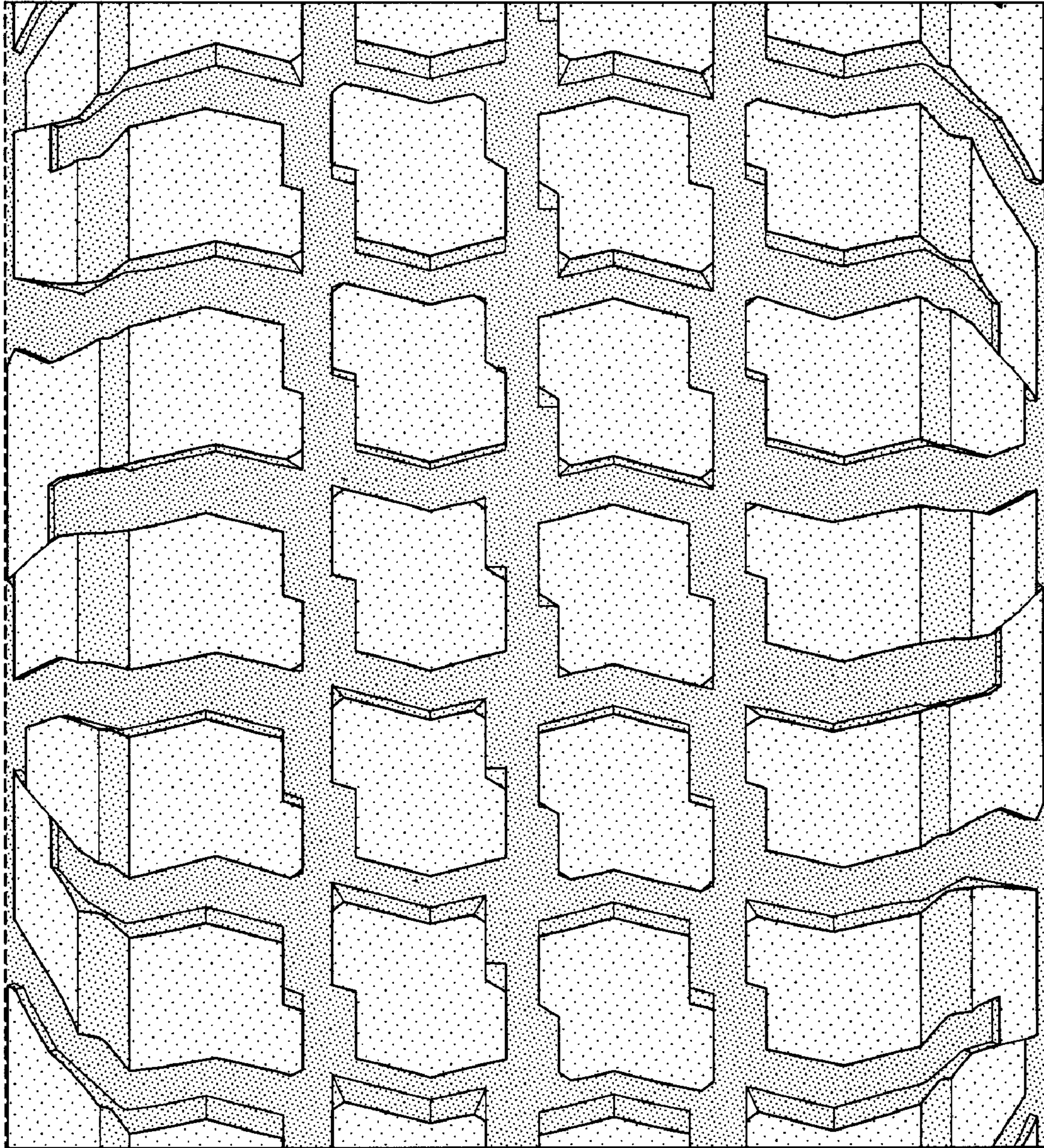
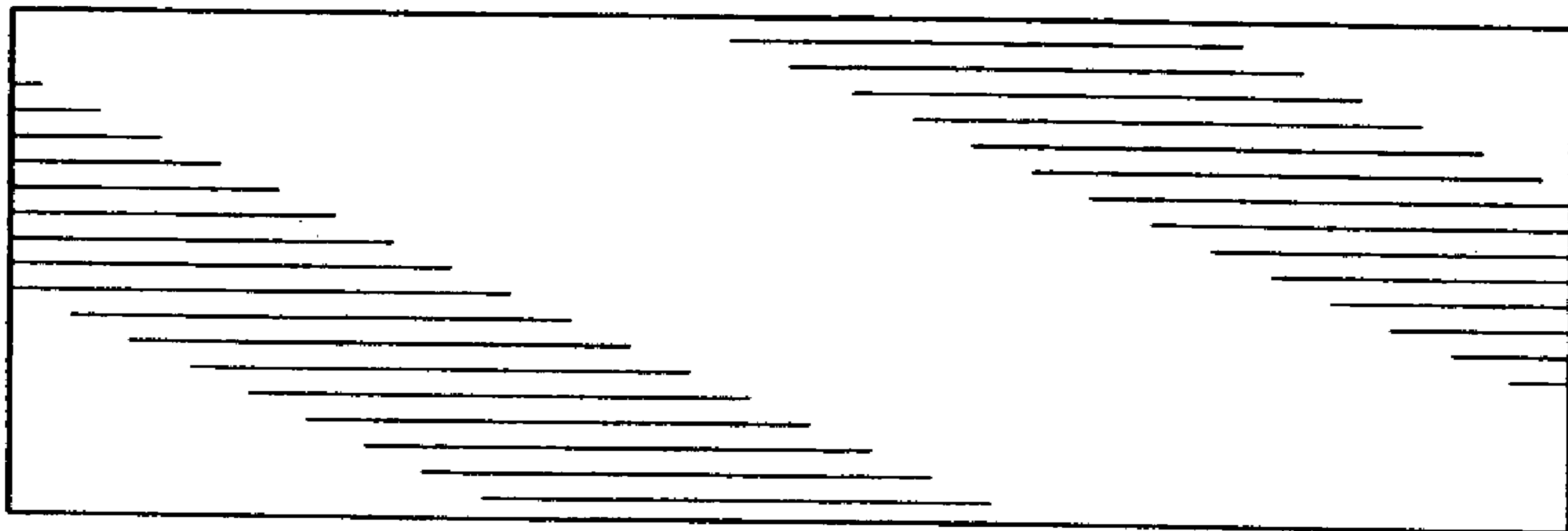


FIG-4



*FIG.5*

UNITED STATES PATENT AND TRADEMARK OFFICE  
**CERTIFICATE OF CORRECTION**

PATENT NO. : Des. 565,208 S  
APPLICATION NO. : 29/270327  
DATED : March 25, 2008  
INVENTOR(S) : Takaari Uemoto et al.

Page 1 of 5

It is certified that error appears in the above-identified patent and that said Letters Patent is hereby corrected as shown below:

Delete Title page illustrating a figure, and substitute therefor, new Title page illustrating a figure. (attached)

Delete drawing sheets 1 - 3, and substitute therefor drawing sheets 1 - 3. (attached)

Signed and Sealed this

Fourteenth Day of October, 2008

A handwritten signature in black ink that reads "Jon W. Dudas". The signature is written in a cursive style with a large, looped initial "J".

JON W. DUDAS  
*Director of the United States Patent and Trademark Office*

(12) **United States Design Patent** (10) Patent No.: **US D565,208 S**  
 Uemoto et al. (45) Date of Patent: **\*\* Mar. 25, 2008**

(54) **LIGHTING APPARATUS**

(75) Investors: **Takaari Uemoto, Kadoma (JP); Keiji Nishimoto, Kadoma (JP); Yasuharu Ueno, Kadoma (JP); Satoshi Shida, Kadoma (JP); Yuji Omata, Kadoma (JP)**

(73) Assignee: **Mitsubishi Electric Industrial Co., Ltd., Osaka (JP)**

(\*\*) Term: **14 Years**

(21) Appl. No.: **29/270,327**

(22) Filed: **Dec. 19, 2006**

(30) Foreign Application Priority Data  
 Jun. 20, 2006 (JP) ..... 2006-015927

(51) LOC (B) CL ..... **D26-04**

(52) U.S. CL ..... **D26/24; D26/1**

(58) Field of Classification Search ..... **D26/24, D26/1, 2, 37, 72, 74, 80, 81, 83, 83, 105, D26/113, 25; D13/180, 182; 362/612, 631, 362/555, 89, 147, 153, 257, 800; 257/79, 257/80, 82, 88, 433; 313/500**

See application file for complete search history.

(56) **References Cited**

**U.S. PATENT DOCUMENTS**

- 6,492,898 B2 \* 12/2002 Kiro et al. .... 257/432
- 6,664,563 B2 \* 12/2003 Yamada et al. .... 257/49
- 6,746,903 B2 \* 5/2004 Iwata ..... 257/81
- D514,530 S \* 2/2005 Matsui et al. .... D13/180
- D526,972 S \* 8/2006 Egawa et al. .... D13/180
- D528,203 S \* 9/2006 Nagai ..... D26/1

- D531,119 S \* 10/2006 Egawa et al. .... D13/180
- D532,383 S \* 11/2006 Nagai et al. .... D13/180
- D538,037 S \* 1/2007 Kim et al. .... D26/1
- D535,262 S \* 1/2007 Saito et al. .... D13/180
- D540,751 S \* 4/2007 Nagai et al. .... D13/180
- D541,761 S \* 5/2007 Saito et al. .... D13/180
- 2007/0023769 A1 \* 1/2007 Nishimoto et al. .... 257/88

**FOREIGN PATENT DOCUMENTS**

JP 2003-124528 4/2003

\* cited by examiner

Primary Examiner—**Cathryn Brooks**

Assistant Examiner—**Angela J Leo**

(74) Attorney, Agent, or Firm—**Brinks Hofer Gilson & Lione**

(57) **CLAIM**

We claim the ornamental design for a lighting apparatus, as shown and described.

**DESCRIPTION**

FIG. 1 is a top perspective view of a lighting apparatus of the present invention;

FIG. 2 is a front view thereof, the rear view being a mirror image thereof;

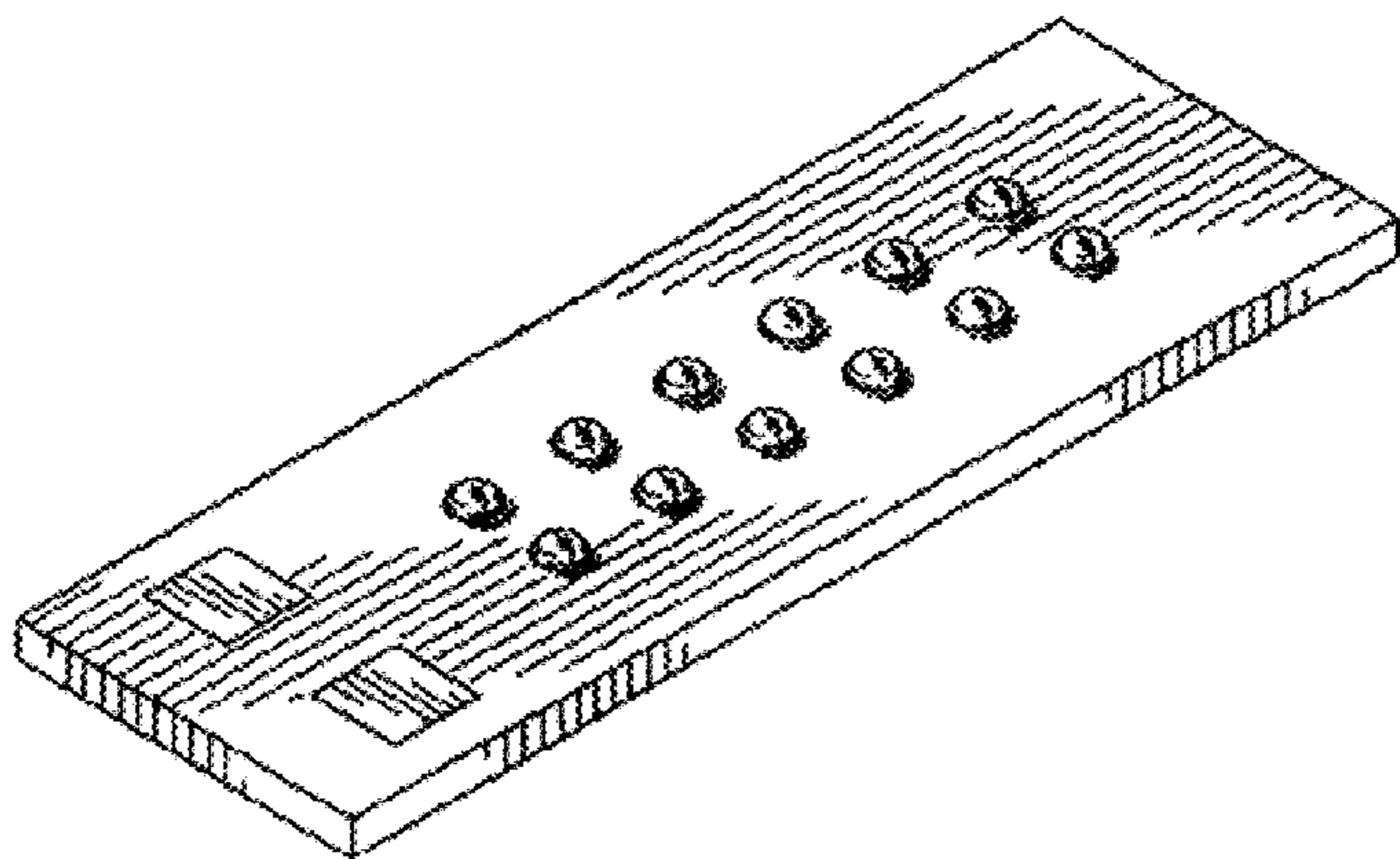
FIG. 3 is a left side view thereof, the right side view being a mirror image thereof;

FIG. 4 is a top view thereof; and,

FIG. 5 is a bottom view thereof.

Hemispherical projections on a substrate are transparent and thus light comes through. The two rectangles are electrodes.

**1 Claim, 5 Drawing Sheets**





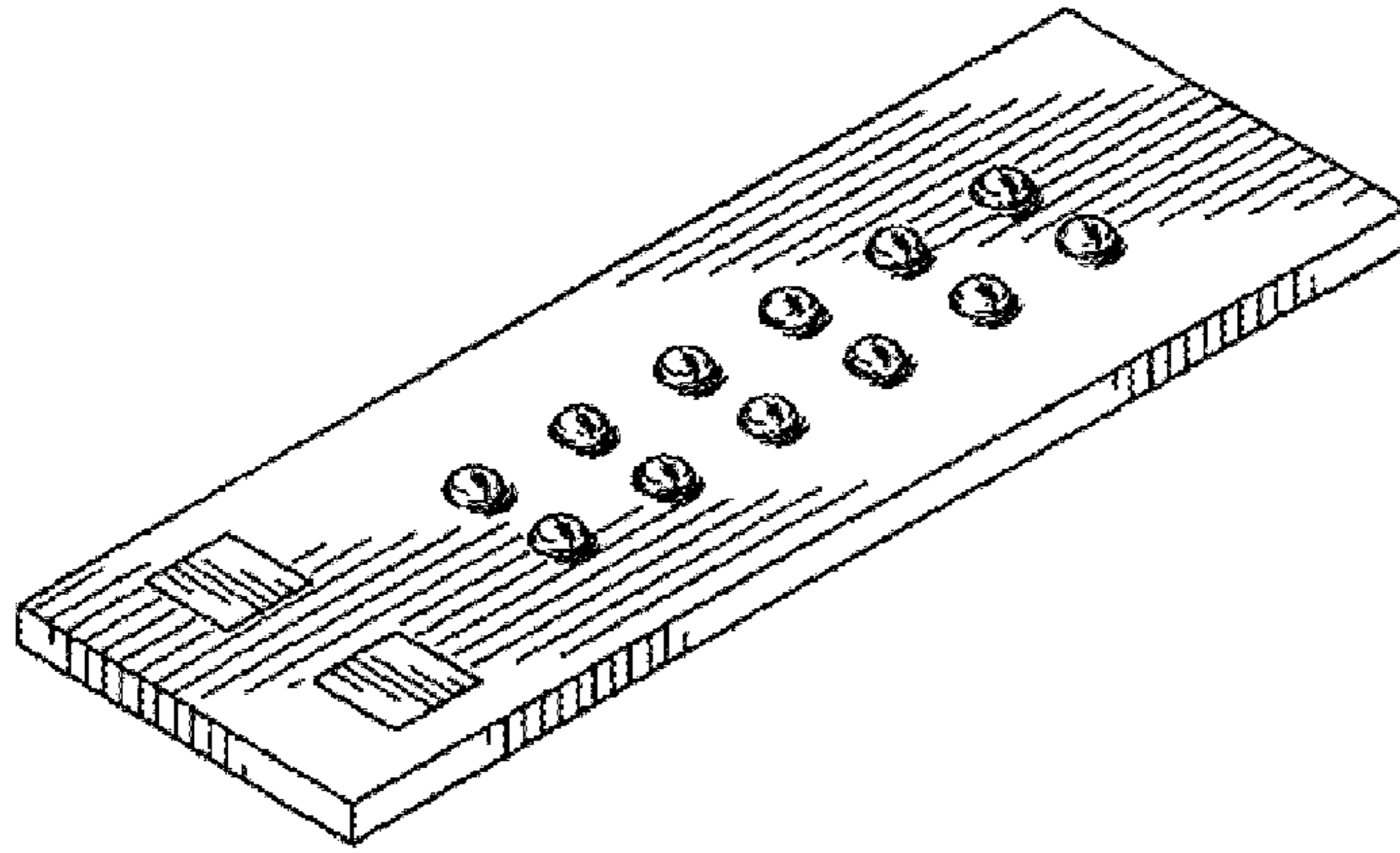


FIG. 1



FIG. 2



FIG. 3

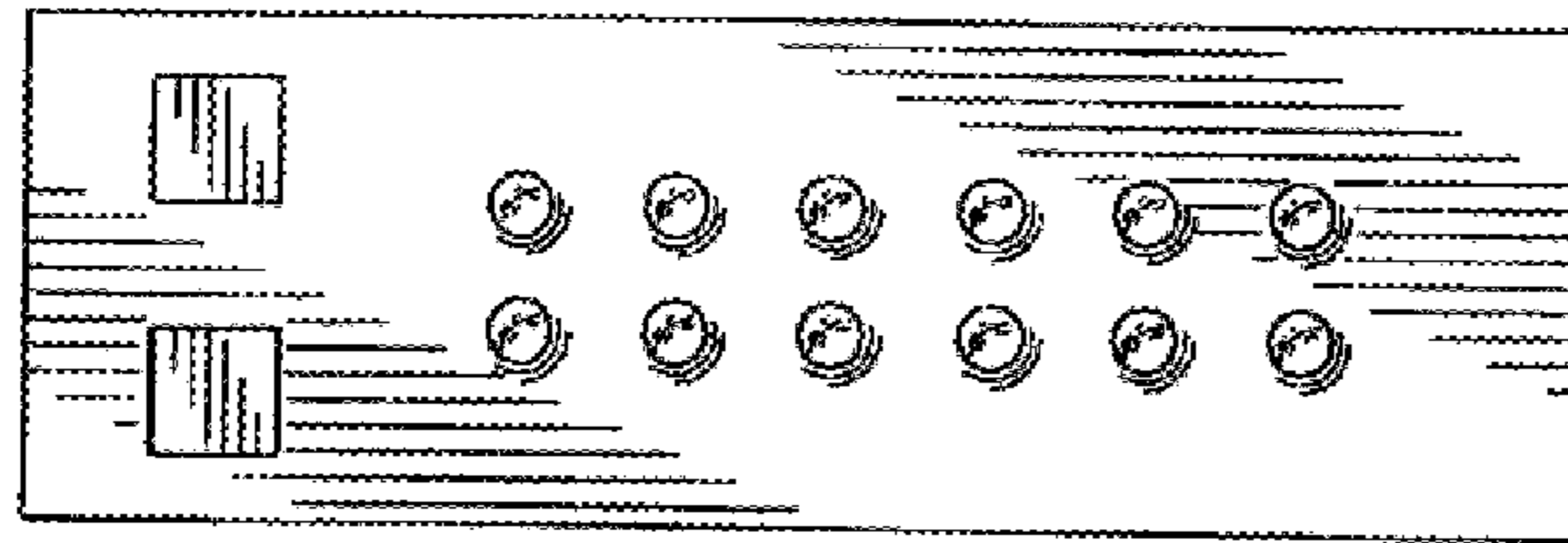


FIG. 4

**U.S. Patent**

**Mar. 25, 2008**

**Sheet 3 of 3**

**D565,208 S**



**FIG.5**