

US00D565206S

(12) **United States Design Patent**
Nelson et al.

(10) **Patent No.:** **US D565,206 S**
(45) **Date of Patent:** **** Mar. 25, 2008**

(54) **ROOF ANCHOR**

(75) Inventors: **Robin Nelson**, Ottawa (CA); **Jiri Krupka**, Ottawa (CA)

(73) Assignee: **Roofers World Inc.**, Ottawa (CA)

(**) Term: **14 Years**

(21) Appl. No.: **29/248,990**

(22) Filed: **Sep. 14, 2006**

(51) **LOC (8) Cl.** **29-99**

(52) **U.S. Cl.** **D25/199**

(58) **Field of Classification Search** D25/199,
D25/133, 131, 68; D8/354, 373, 356, 399,
D8/380, 349; 248/237, 228.5, 346.01; 52/127.2,
52/713, 749.126, 698, 24, 26; 182/3, 45,
182/231

See application file for complete search history.

(56) **References Cited**

U.S. PATENT DOCUMENTS

- D241,615 S * 9/1976 King D8/373
- D295,368 S * 4/1988 Niwa D8/354
- 5,011,106 A * 4/1991 Cody 248/237
- D329,196 S * 9/1992 Schor D8/373

- 5,575,130 A * 11/1996 Chiodo 52/713
- 5,603,187 A * 2/1997 Merrin et al. 52/58
- D436,674 S * 1/2001 Lancelot et al. D25/133
- 6,360,491 B1 * 3/2002 Ullman 52/22
- D531,486 S * 11/2006 Ferris D8/354
- 2003/0042374 A1 * 3/2003 Johnson et al. 248/148
- 2006/0059789 A1 * 3/2006 Sargent 52/26

* cited by examiner

Primary Examiner—Robert M. Spear

Assistant Examiner—Anna K Dworzecka

(74) *Attorney, Agent, or Firm*—David J. French

(57) **CLAIM**

The ornamental design for a roof anchor, as shown and described.

DESCRIPTION

FIG. 1 is a perspective view showing our new design.

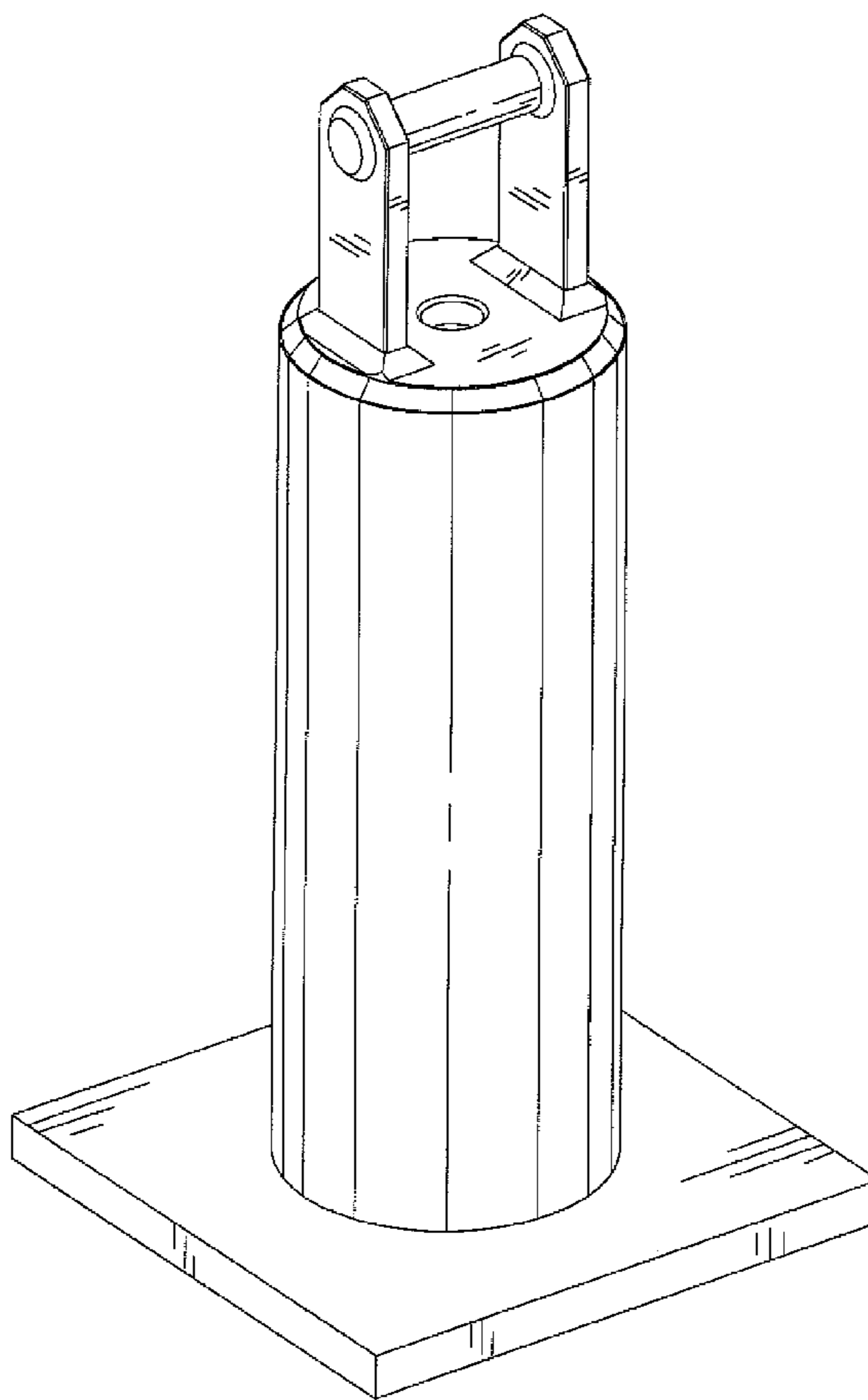
FIG. 2 is a front view of the anchor.

FIG. 3 is a side view of the anchor.

FIG. 4 is a top view of the anchor; and,

FIG. 5 is a bottom view of the anchor.

1 Claim, 5 Drawing Sheets



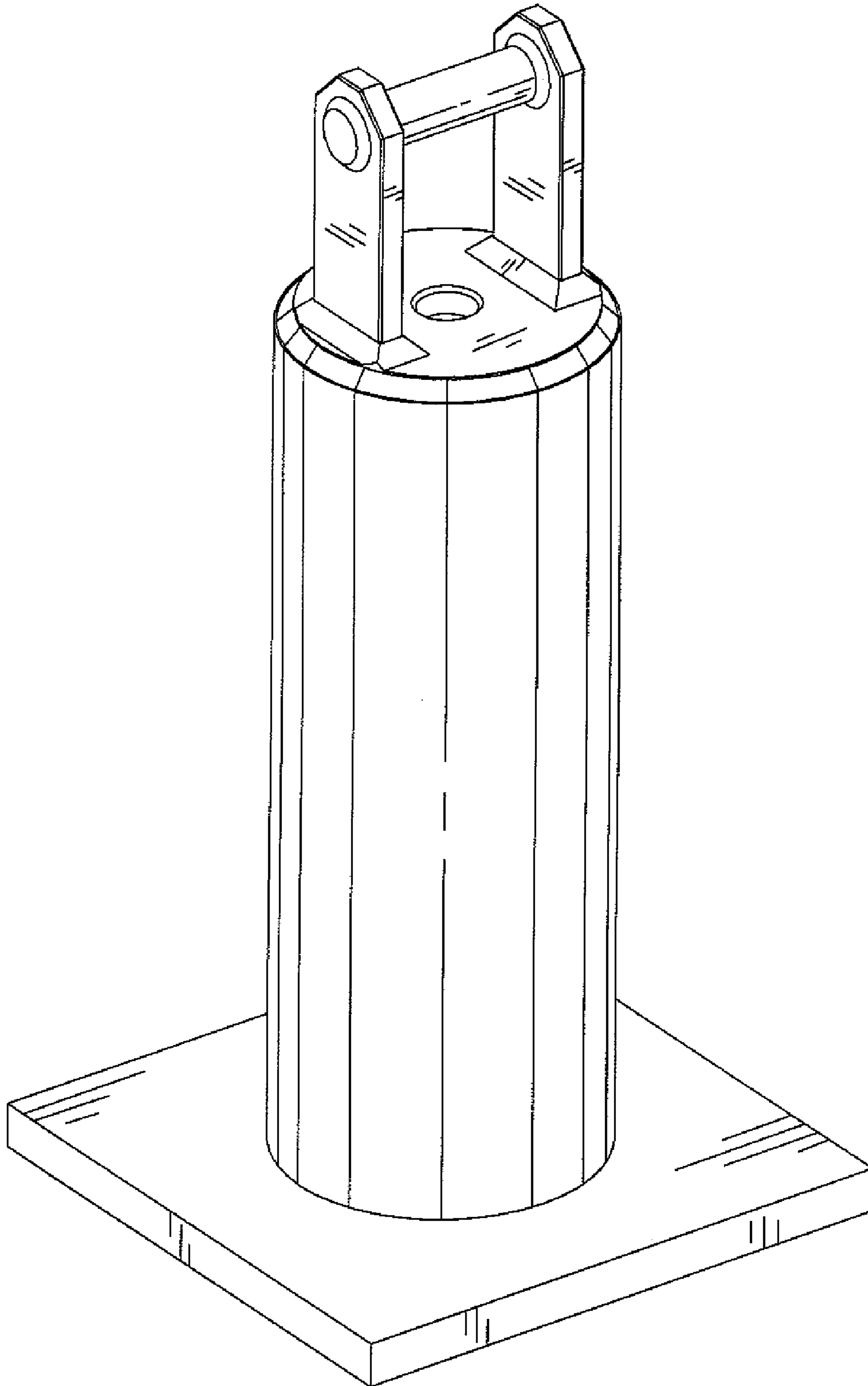


Figure 1

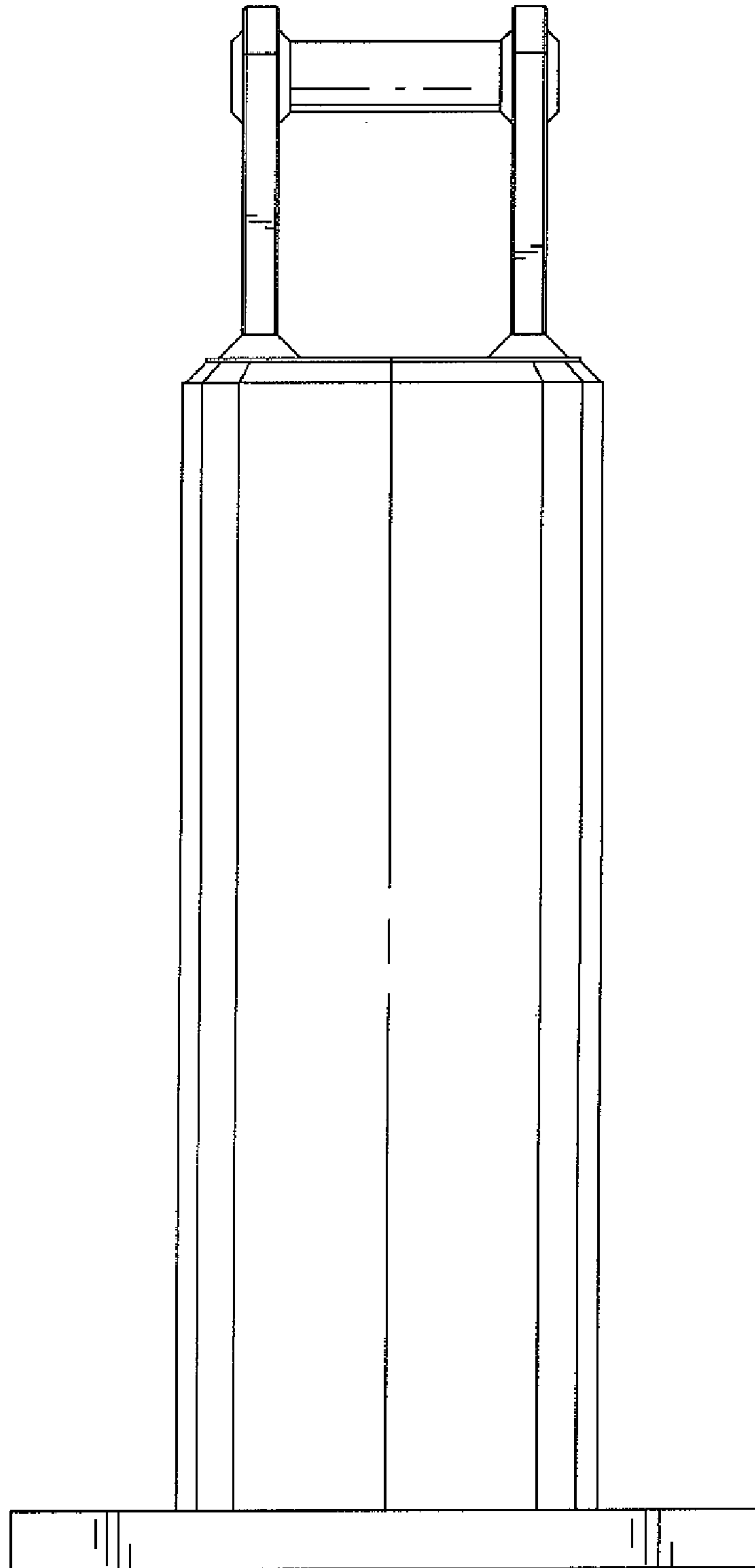


Figure 2

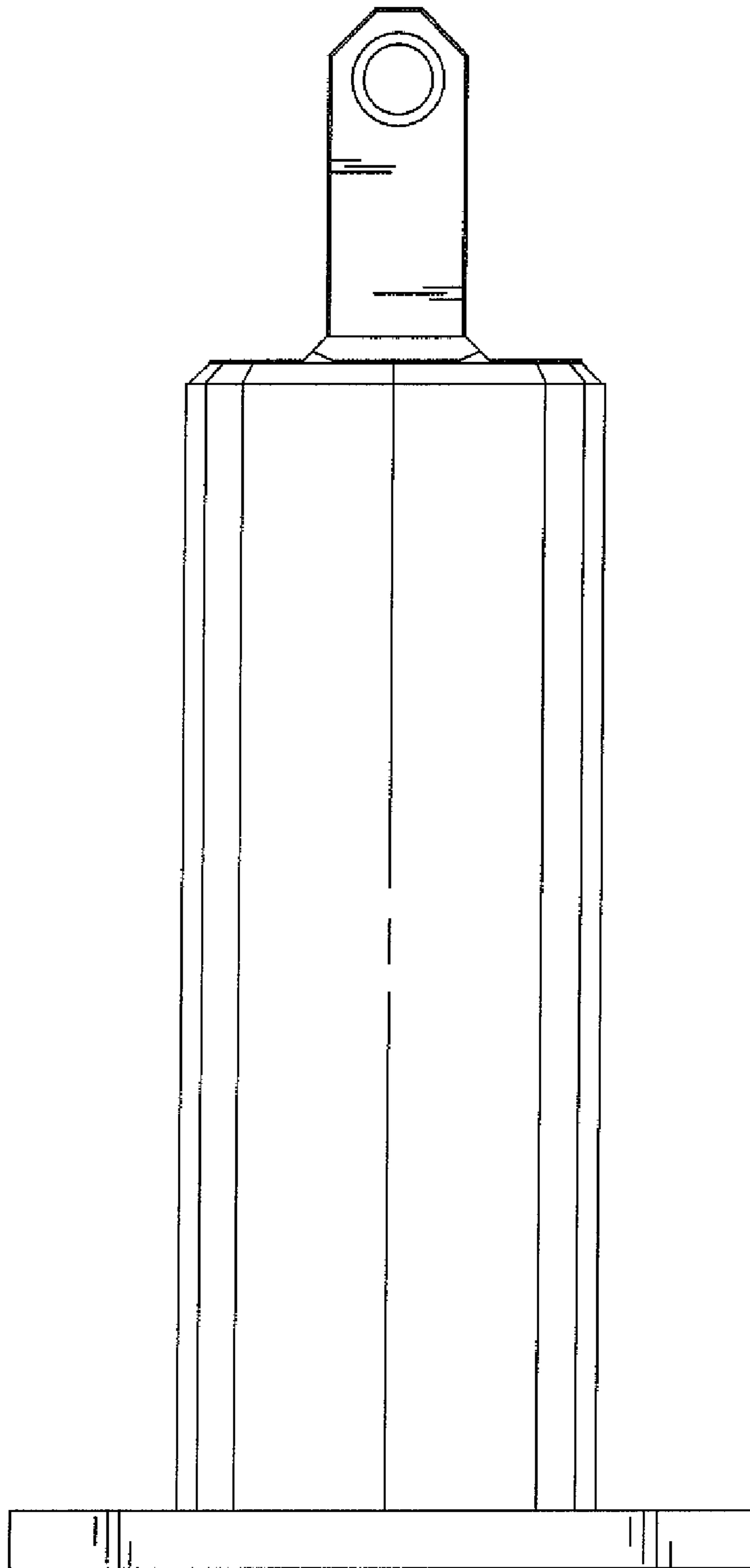


Figure 3

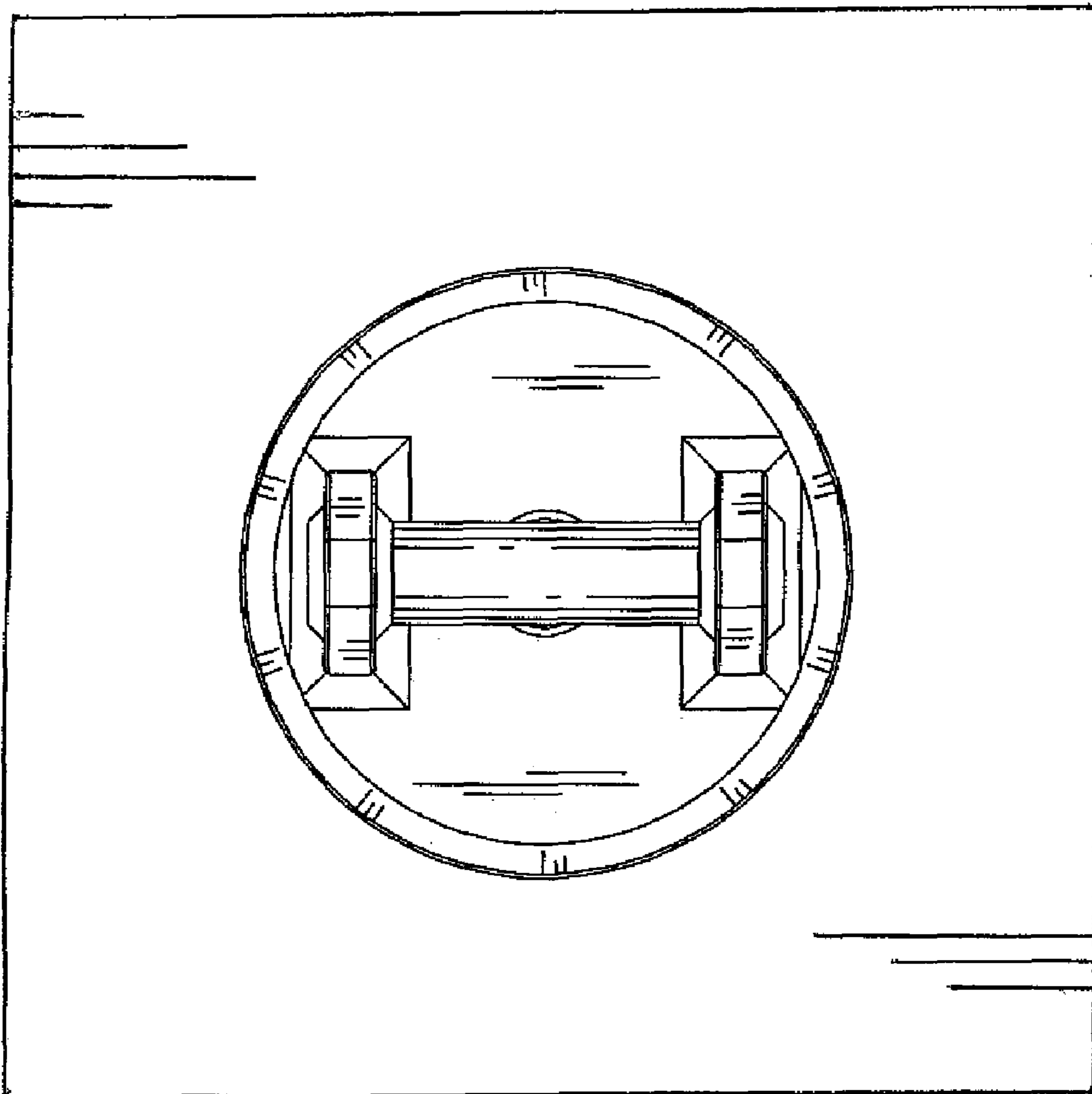


Figure 4

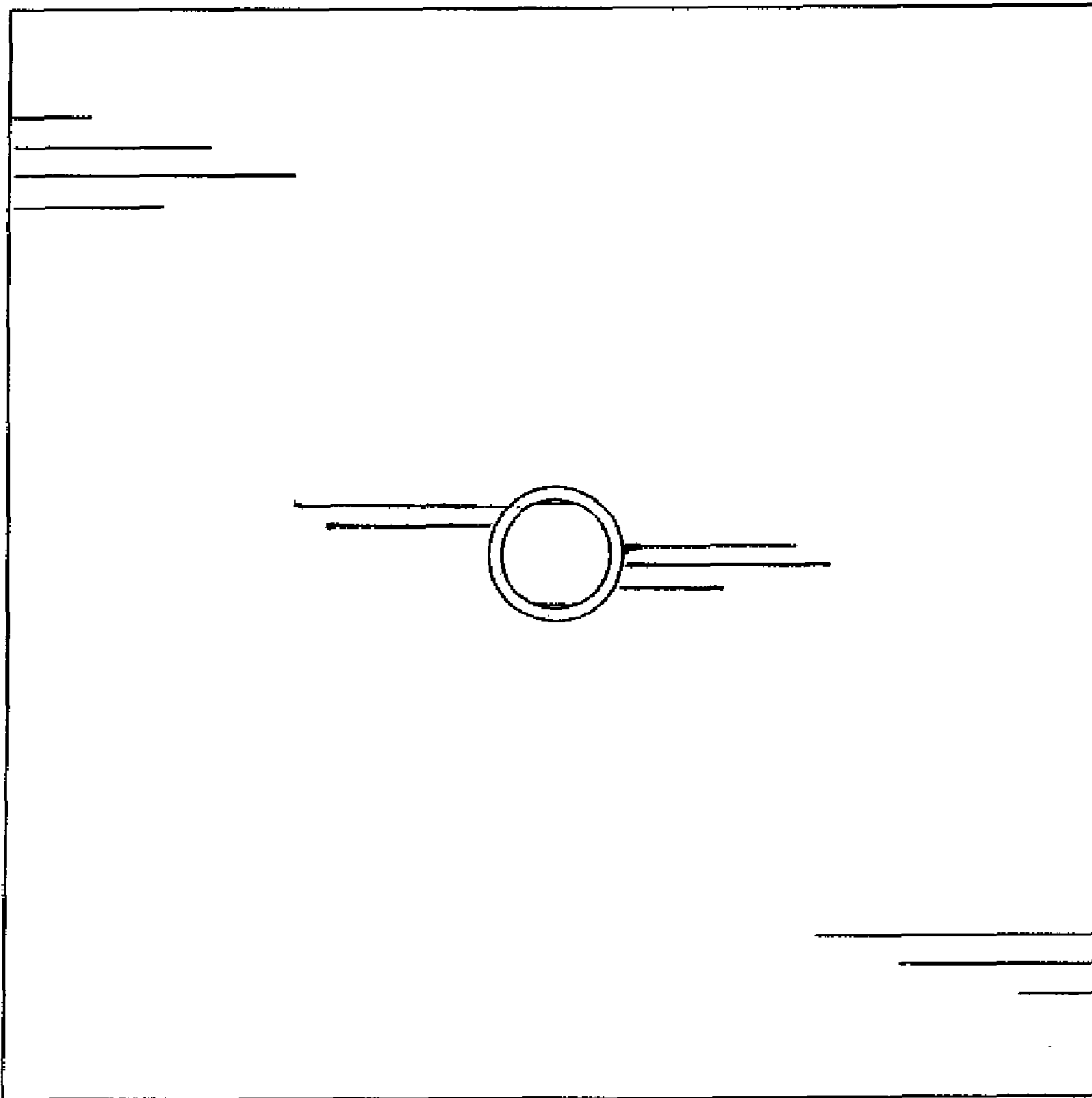


Figure 5