



US00D565197S

(12) **United States Design Patent**
Tung

(10) **Patent No.:** **US D565,197 S**

(45) **Date of Patent:** **** Mar. 25, 2008**

(54) **GAZEBO**

D523,969 S * 6/2006 Abruzese et al. D25/56

(76) Inventor: **Benson Tung**, No. 587, Chiengong Rd.,
Kaohsiung (TW)

* cited by examiner

(**) Term: **14 Years**

Primary Examiner—Doris Clark
(74) *Attorney, Agent, or Firm*—Alan Kamrath; Kamrath &
Associates PA

(21) Appl. No.: **29/277,982**

(22) Filed: **Mar. 15, 2007**

(57) **CLAIM**

(51) **LOC (8) Cl.** **25-02**

(52) **U.S. Cl.** **D25/56**

(58) **Field of Classification Search** D25/56;

135/87, 906, 907; 160/38; 52/23, 36.2

See application file for complete search history.

The ornamental design for a gazebo, as shown and
described.

DESCRIPTION

(56) **References Cited**

U.S. PATENT DOCUMENTS

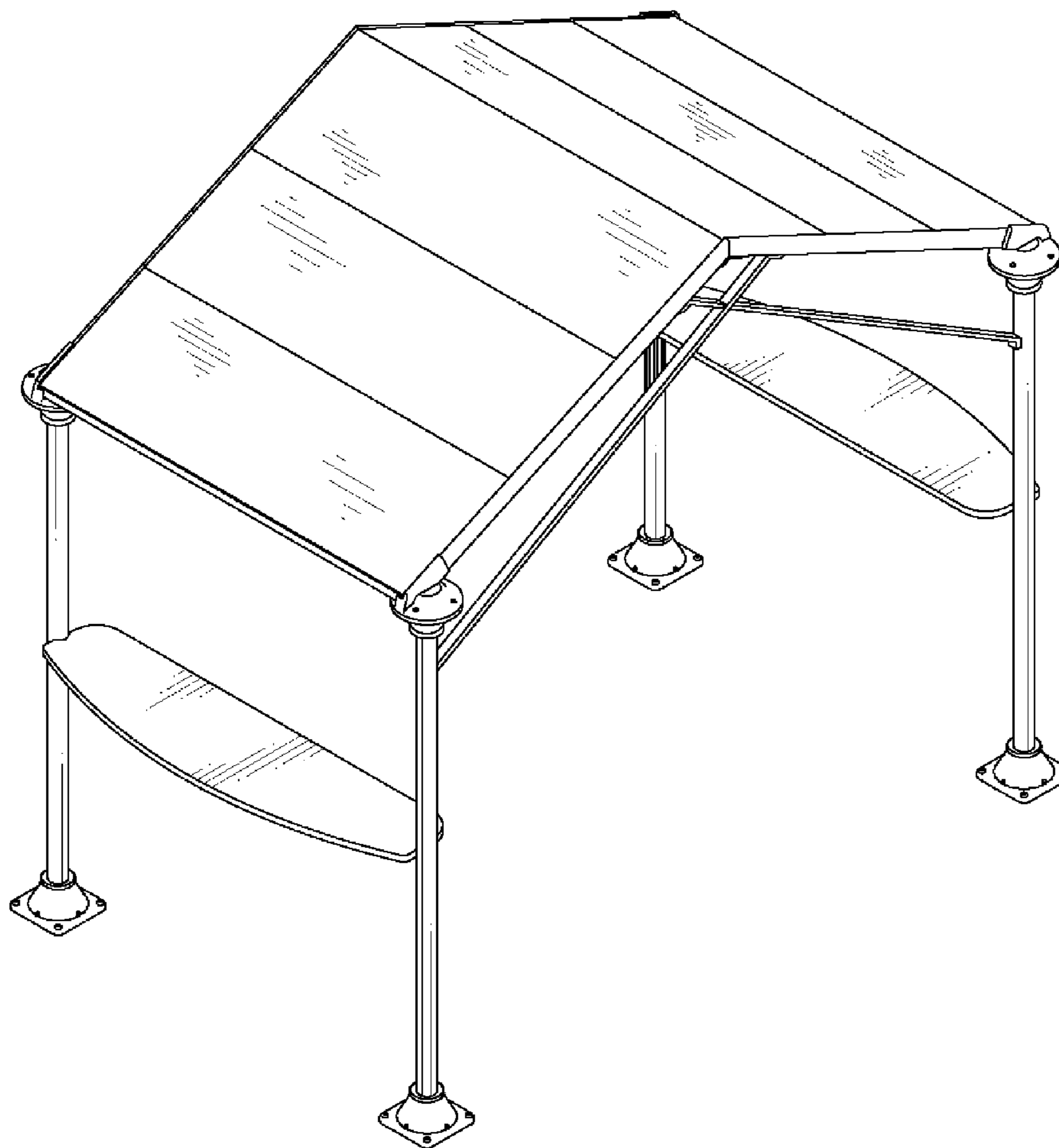
- D336,136 S * 6/1993 Foster D25/1
- D378,137 S * 2/1997 Gregoire D25/56
- D412,993 S * 8/1999 Chipman et al. D25/56
- D420,751 S * 2/2000 Powell et al. D25/56
- 6,564,817 B1 * 5/2003 Tseng 135/119

FIG. 1 is a perspective view of a gazebo showing my design;
FIG. 2 is a front elevational view, with the rear elevational
view being a mirror image thereof;

FIG. 3 is a left elevational view, with the right elevational
view being a mirror image thereof; and,

FIG. 4 is a top plan view thereof, with no ornamentation
being claimed for a bottom view.

1 Claim, 4 Drawing Sheets



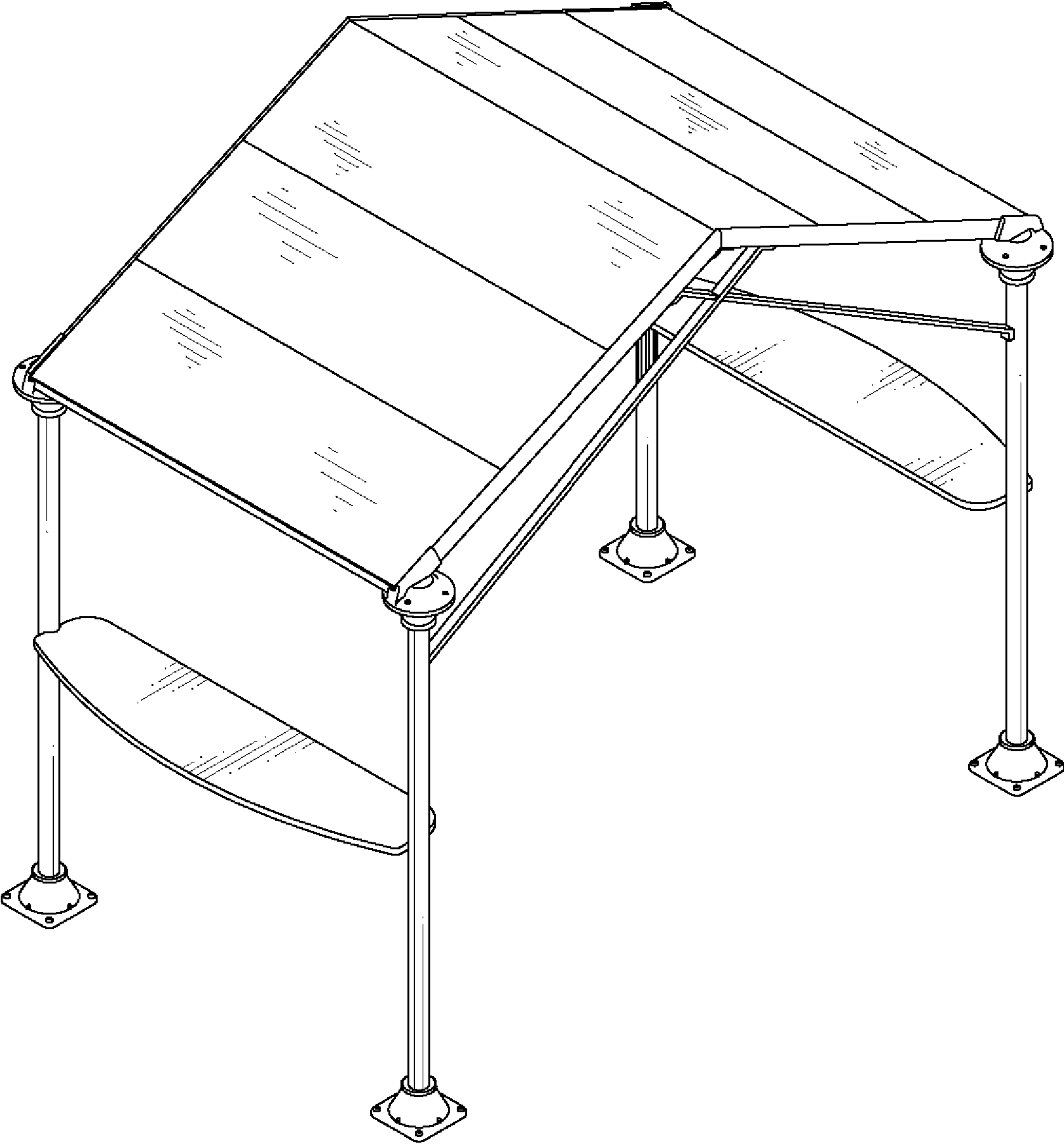


FIG. 1

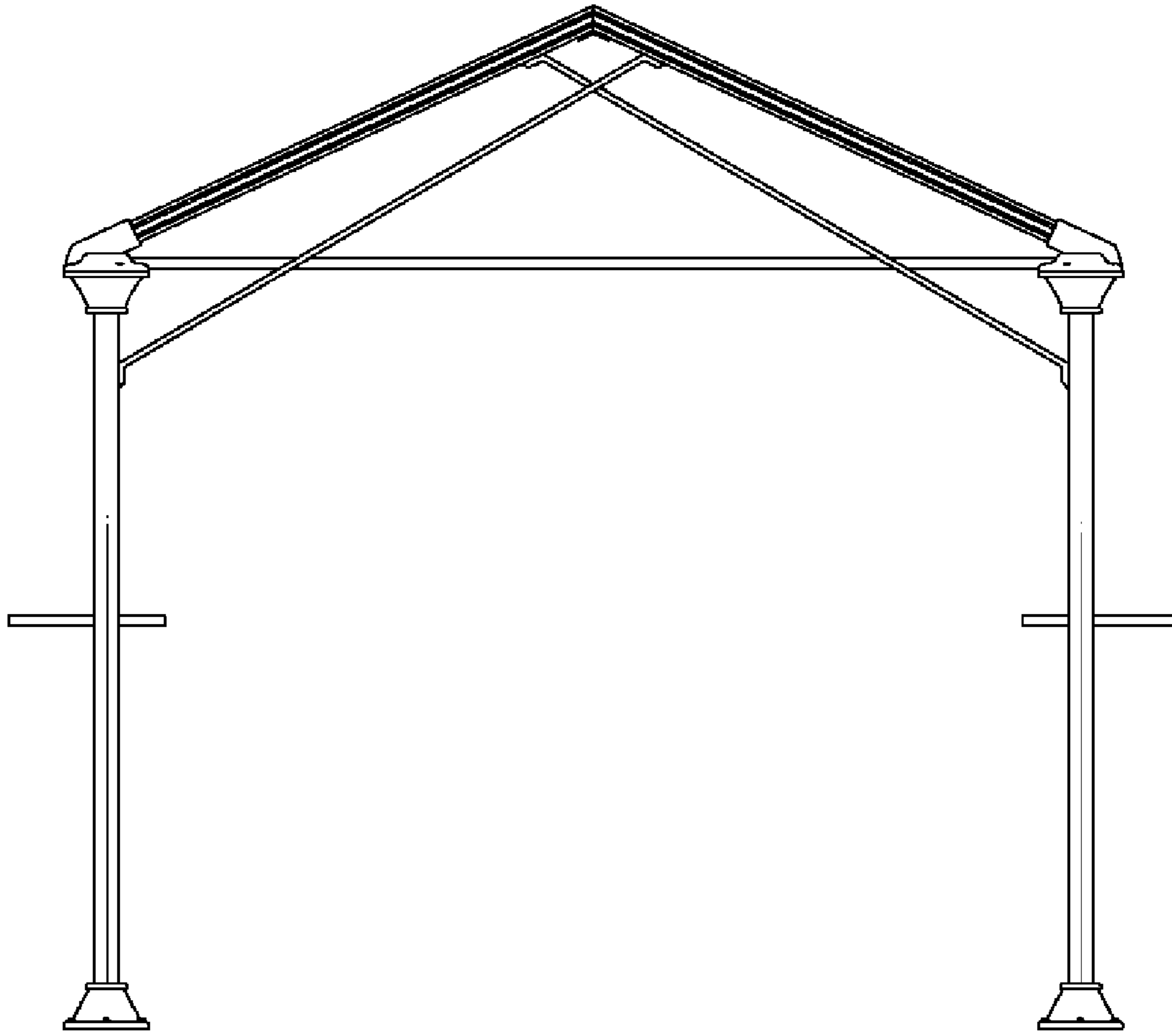


FIG.2

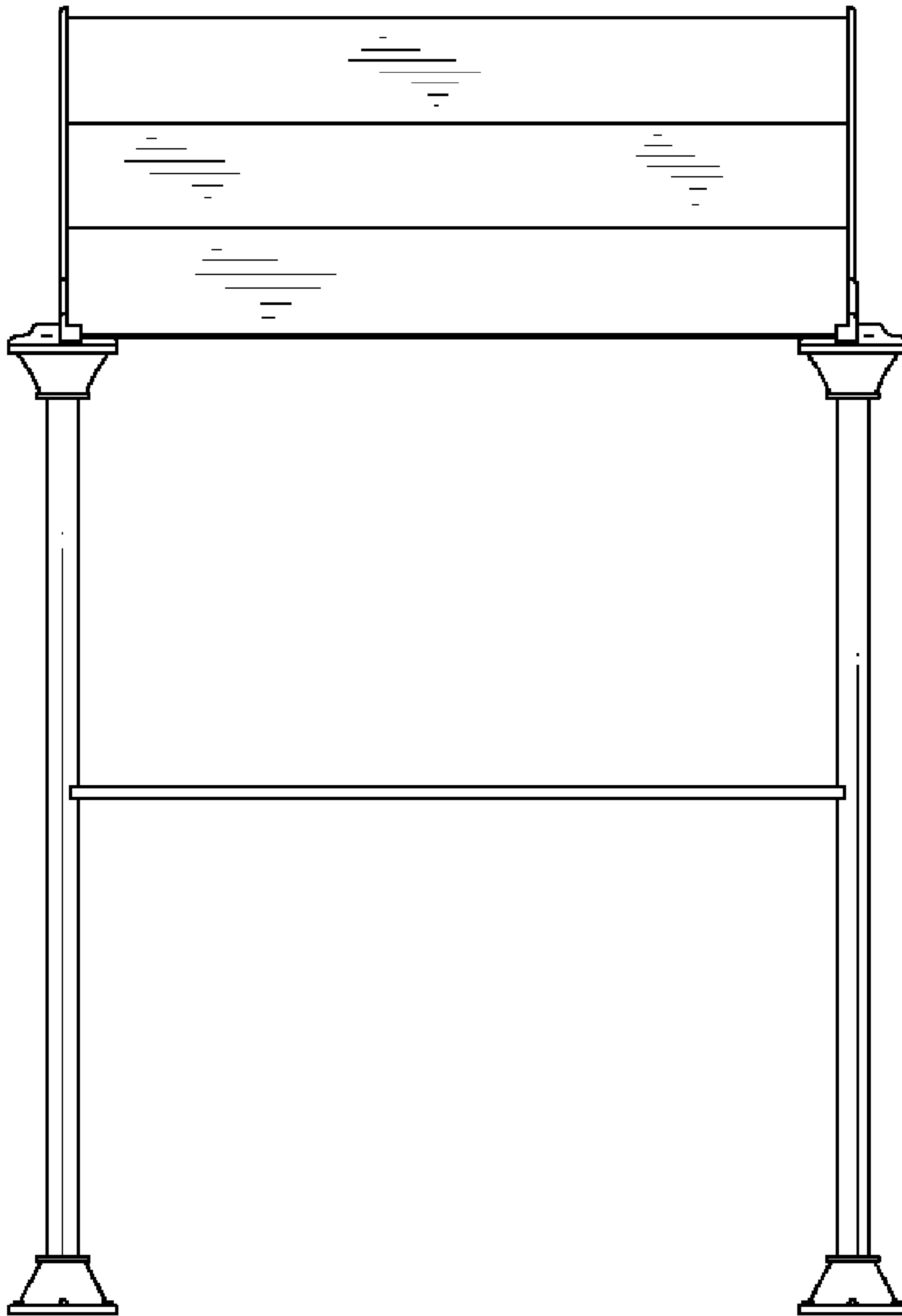


FIG. 3

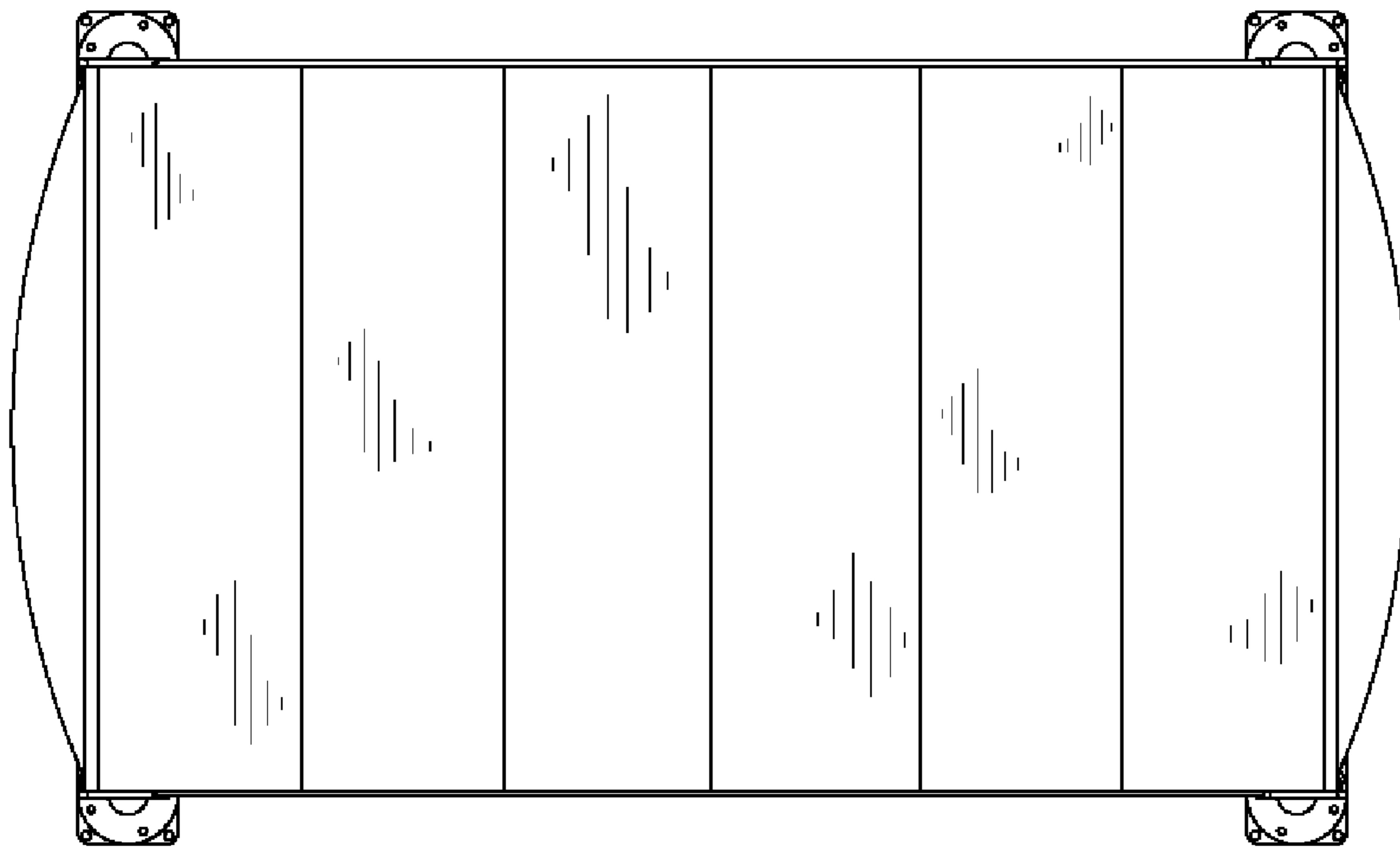


FIG.4