



US00D565187S

(12) **United States Design Patent**
Mascull et al.

(10) **Patent No.:** **US D565,187 S**
(45) **Date of Patent:** **** Mar. 25, 2008**

- (54) **SEAT**
- (75) Inventors: **Graham John Mascull**, Ashburton (NZ); **Patrick Forest**, Auckland (NZ)
- (73) Assignee: **Roger Thomas Mascull**, Ashburton (NZ)
- (**) Term: **14 Years**
- (21) Appl. No.: **29/250,534**
- (22) Filed: **Nov. 20, 2006**
- (51) **LOC (8) Cl.** **24-01**
- (52) **U.S. Cl.** **D24/183**
- (58) **Field of Classification Search** D24/183, D24/184; D6/500; D12/131, 133; 297/219.1, 297/220, 256.1–256.16, 284.1–284.9, 391, 297/464, DIG. 4, DIG. 6
See application file for complete search history.

- 5,524,971 A * 6/1996 Jay et al. 297/383
- D383,929 S * 9/1997 Ring et al. D6/500
- D412,685 S * 8/1999 Bar et al. D12/133
- D413,085 S * 8/1999 Bar et al. D12/133
- D413,841 S * 9/1999 Bar et al. D12/133
- D475,952 S * 6/2003 Nelson et al. D12/131

* cited by examiner

Primary Examiner—Robert A. Delehanty
Assistant Examiner—Mark Cavanna
(74) *Attorney, Agent, or Firm*—Matthias Scholl P.C.; Matthias Scholl

(57) **CLAIM**

The ornamental design for the “seat,” as shown and described.

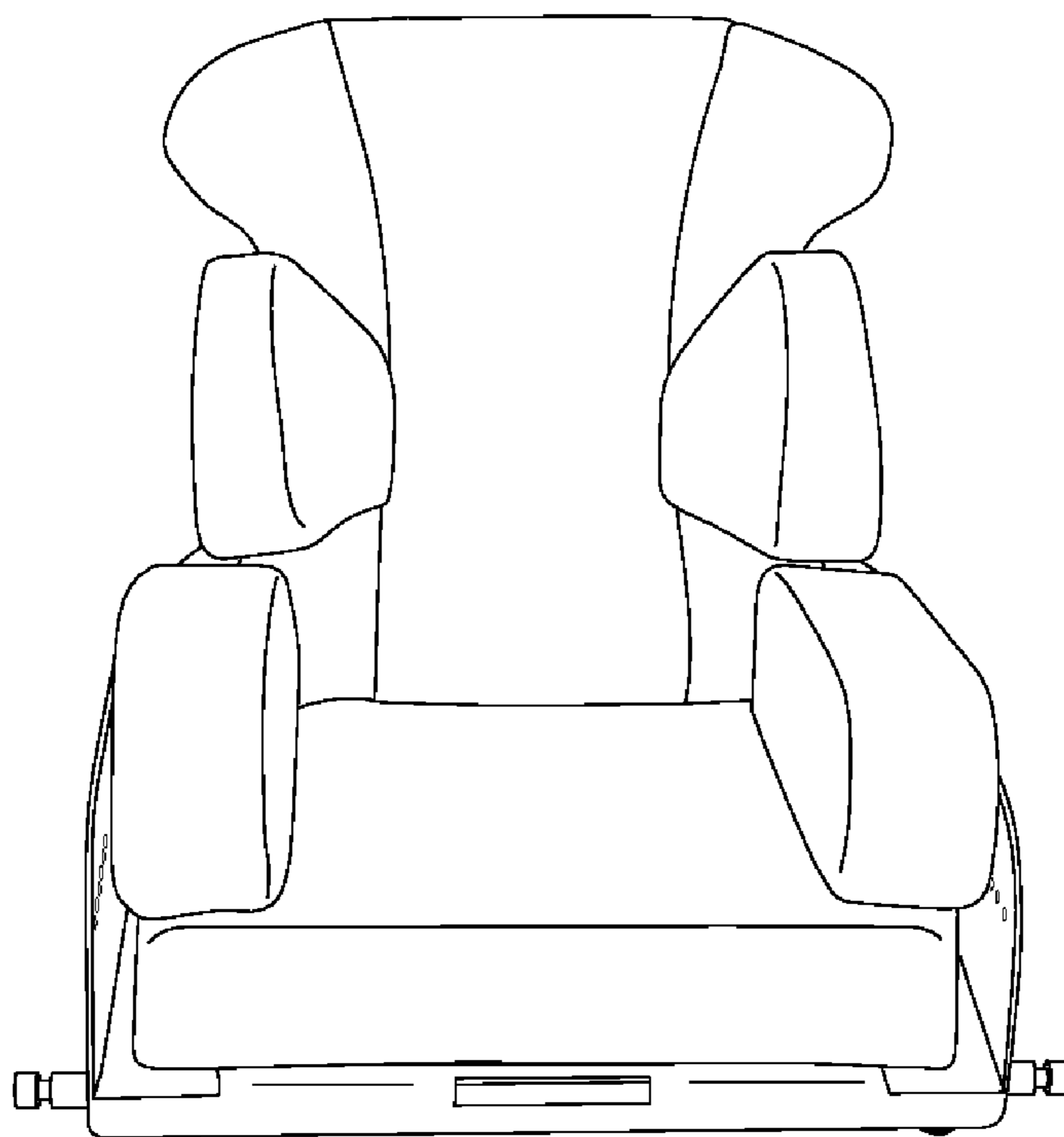
DESCRIPTION

- FIG. 1 is a front and side perspective view of a seat, showing our new design;
- FIG. 2 is front perspective view thereof;
- FIG. 3 is another front perspective view thereof;
- FIG. 4 is a front isometric perspective view thereof;
- FIG. 5 is a left perspective side view thereof;
- FIG. 6 is a rear perspective view thereof; and,
- FIG. 7 is a bottom view thereof.

(56) **References Cited**
U.S. PATENT DOCUMENTS

- 3,730,589 A * 5/1973 Lane 297/391
- 5,018,790 A * 5/1991 Jay 297/DIG. 6
- 5,211,446 A * 5/1993 Jay et al. 297/DIG. 4
- 5,228,747 A * 7/1993 Greene 297/284.3
- 5,366,277 A * 11/1994 Tremblay 297/464
- 5,407,248 A * 4/1995 Jay et al. 297/284.1
- 5,447,356 A * 9/1995 Snijders 297/284.3

1 Claim, 2 Drawing Sheets



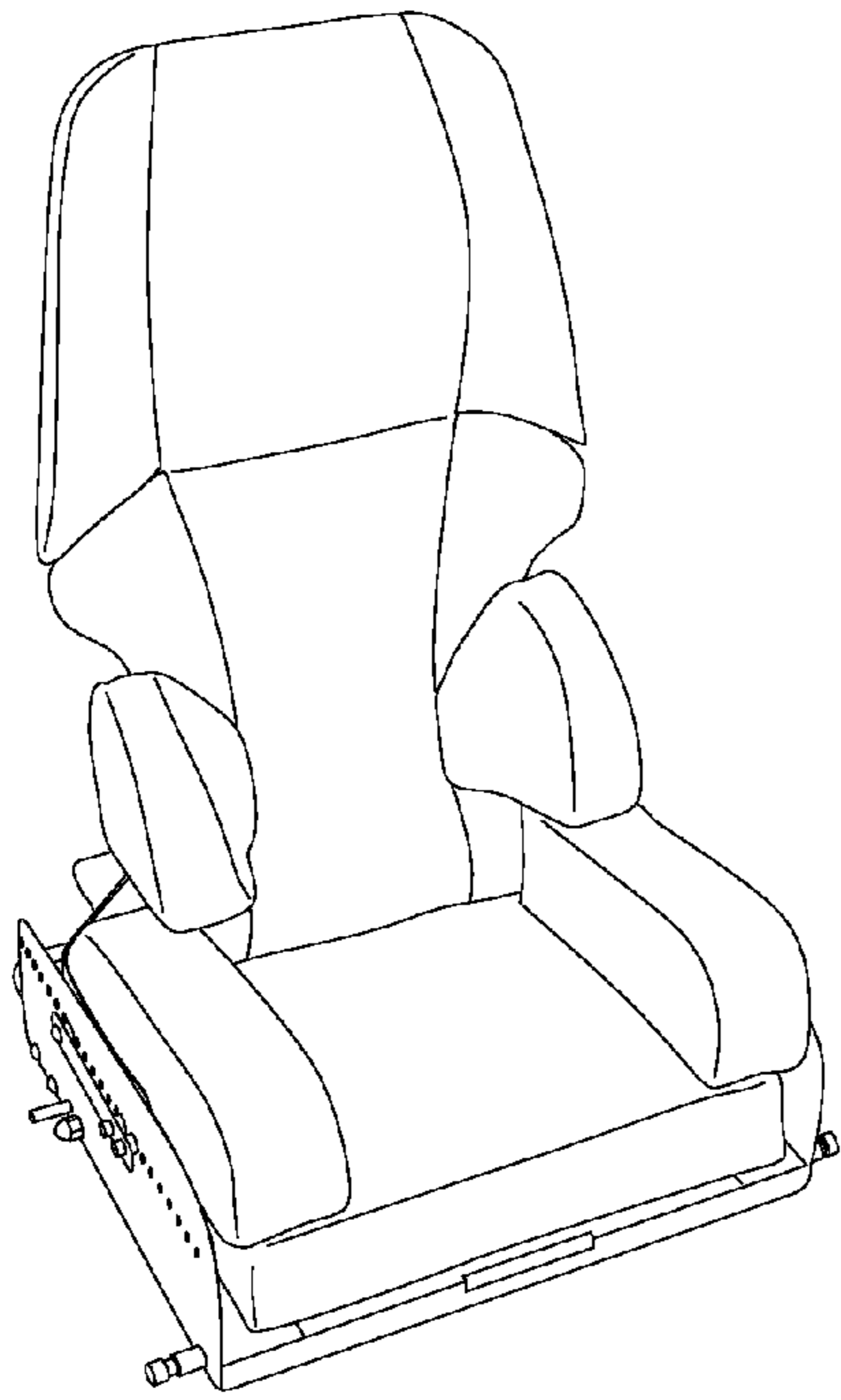


Fig. 1
FRONT RIGHT VIEW

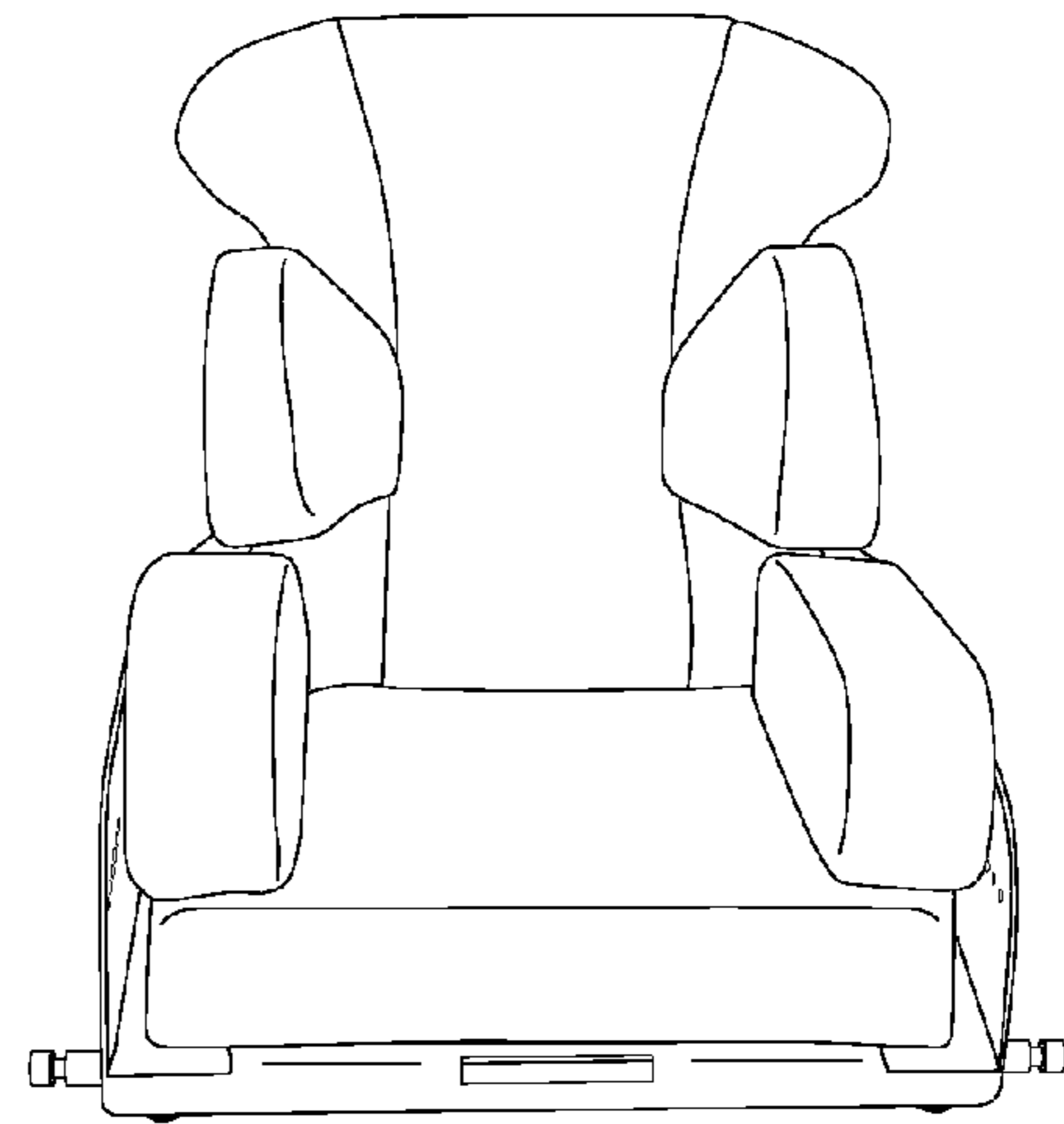


Fig. 2
FRONT VIEW

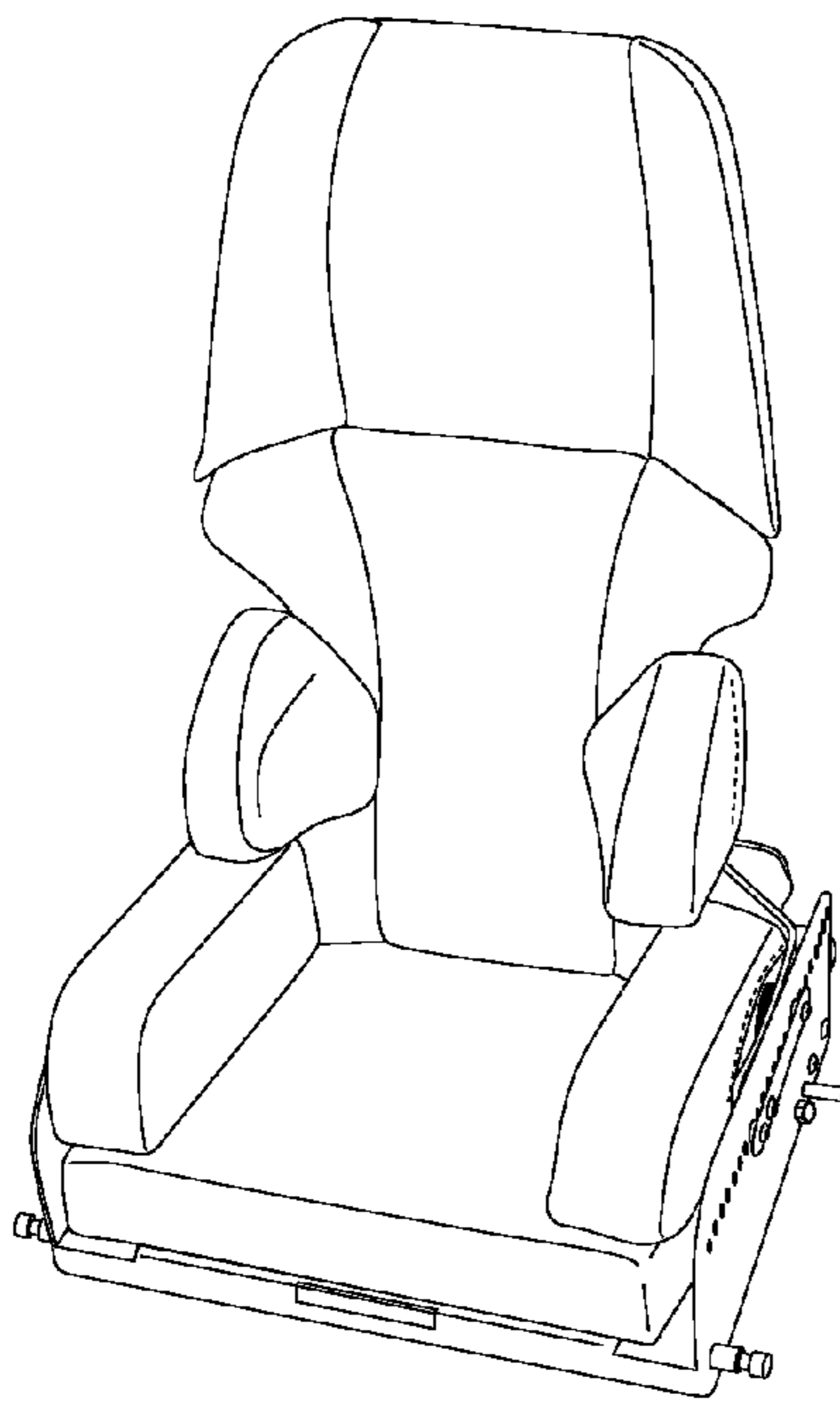


Fig. 3
FRONT LEFT VIEW

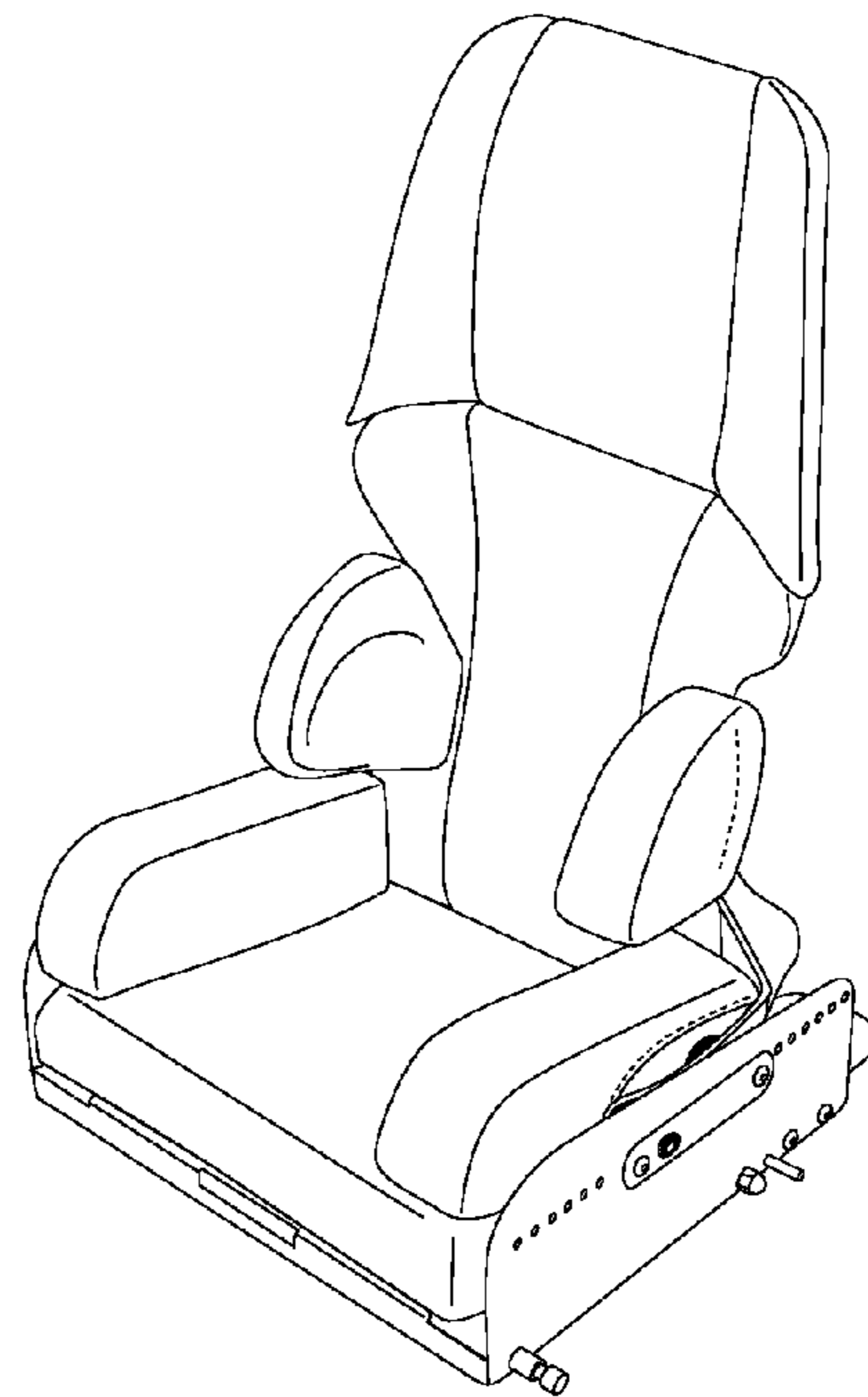
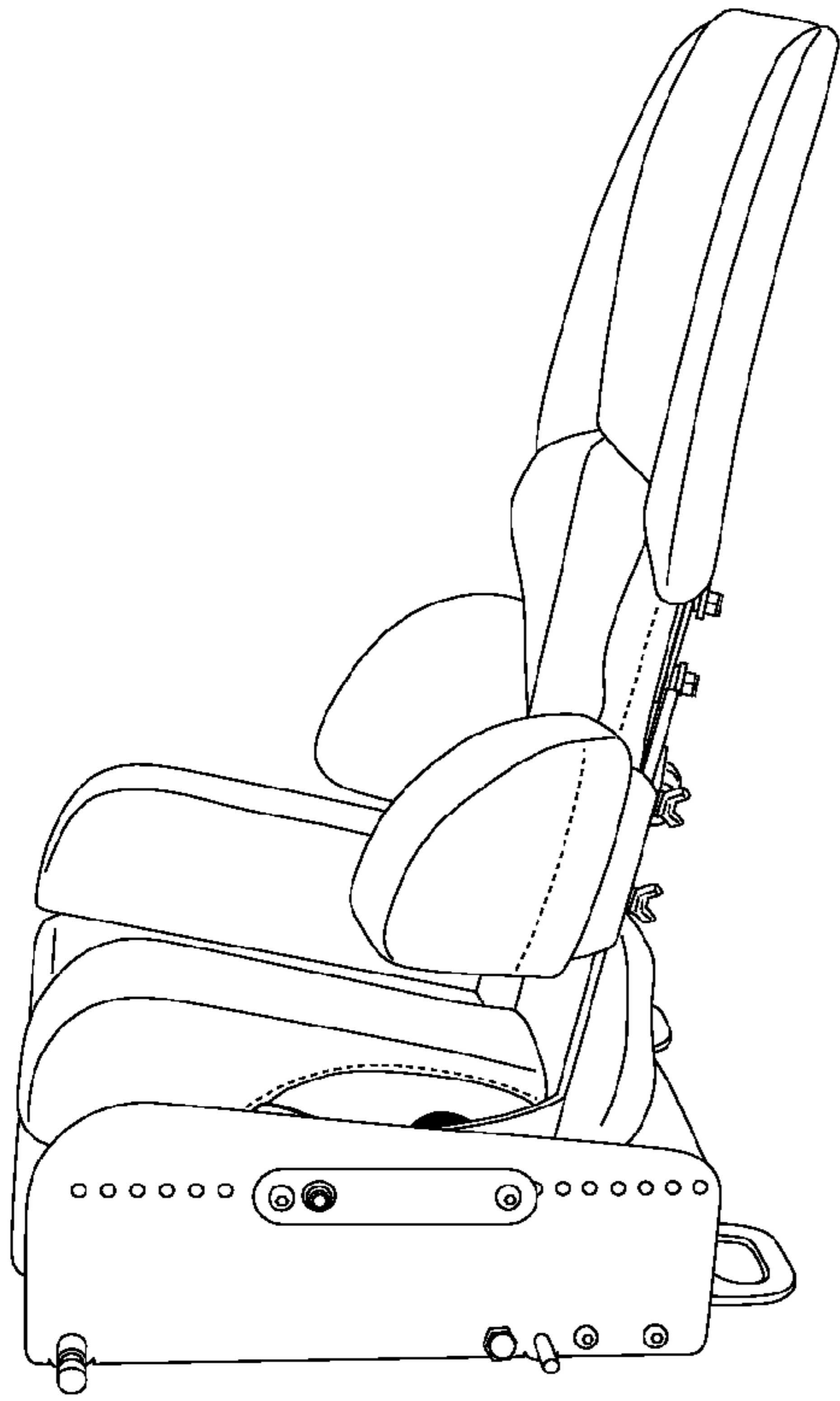
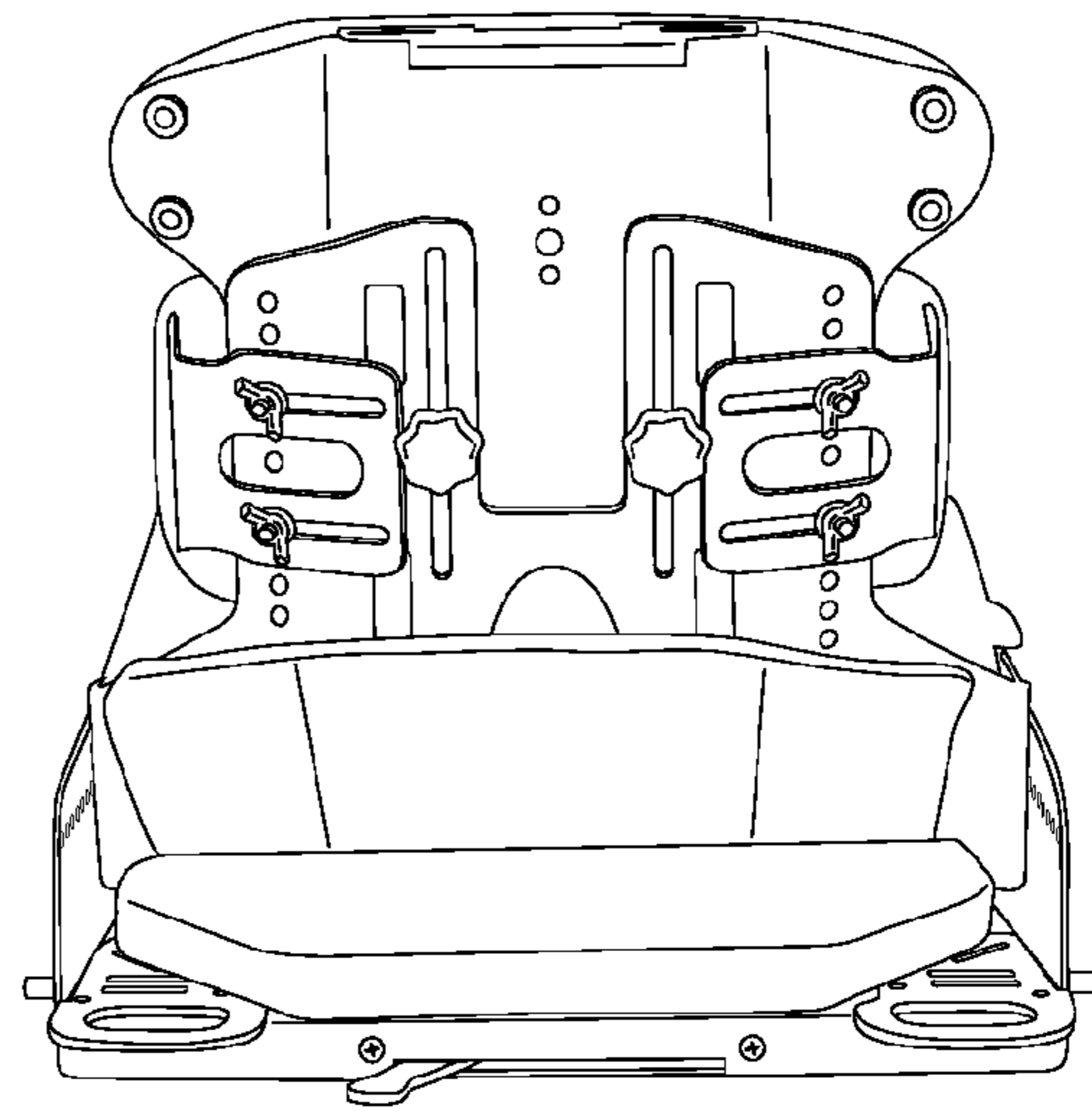


Fig. 4
FRONT LEFT ISOMETRIC VIEW



LEFT SIDE VIEW

Fig. 5



BACK VIEW

Fig. 6

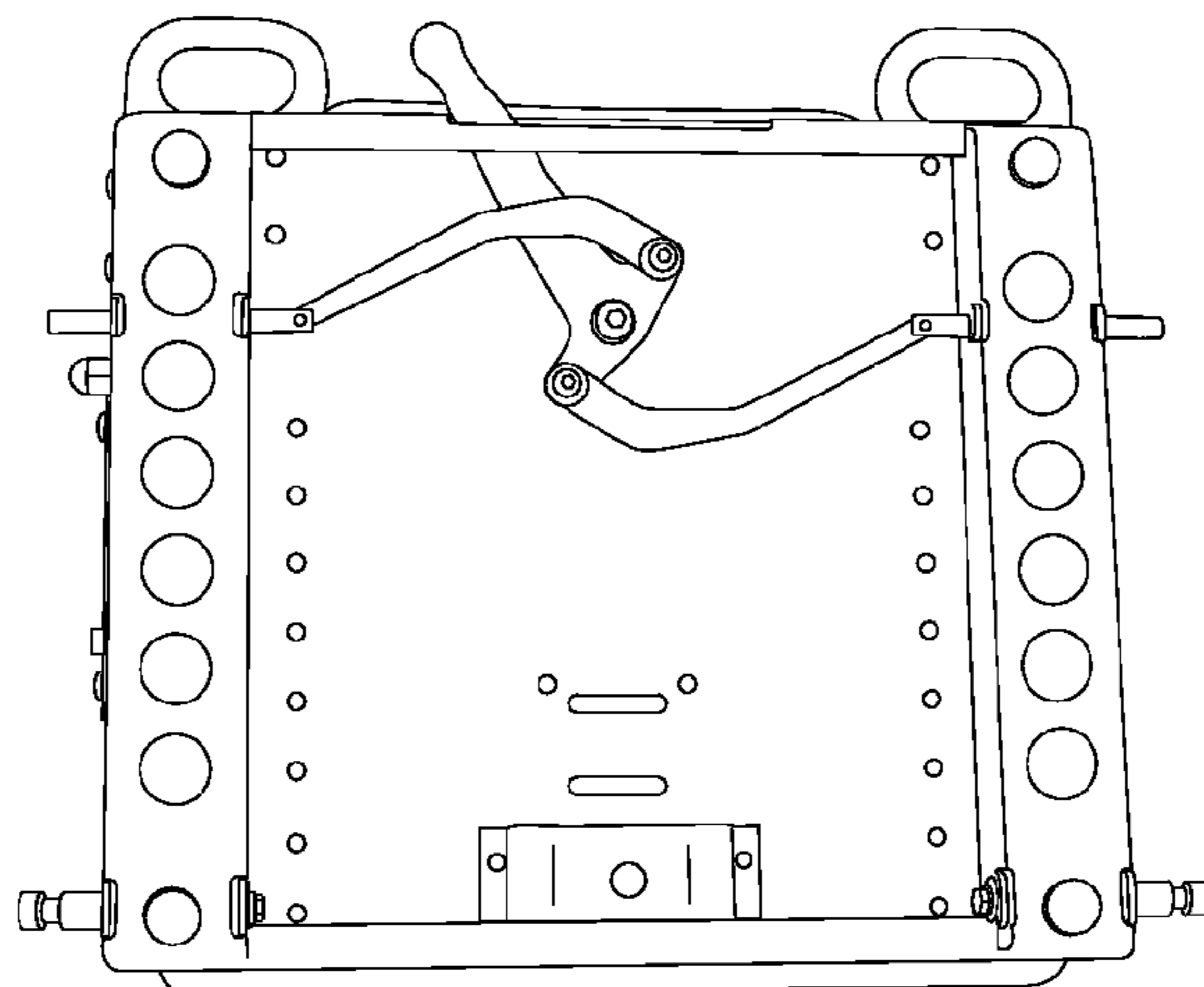


Fig. 7

BASE (INTERNAL) VIEW