

US00D565186S

(12) **United States Design Patent**  
**Huffman**

(10) **Patent No.:** **US D565,186 S**  
(45) **Date of Patent:** **\*\* \*Mar. 25, 2008**

(54) **DENTAL MODEL BASE WITH A PLURALITY OF INDEXING PINS**

(76) Inventor: **Ronald E. Huffman**, P.O. Box 68440,  
Oro Valley, MN (US) 85737

(\*\*) Term: **14 Years**

(21) Appl. No.: **29/266,841**

(22) Filed: **Sep. 26, 2006**

3,247,844 A	4/1966	Berghash
D210,278 S *	2/1968	White ..... D24/181
3,416,527 A *	12/1968	Hoef ..... 604/77
3,453,736 A	7/1969	Waltke
3,461,562 A	8/1969	Cooper
3,478,428 A	11/1969	Stengel
3,510,947 A	5/1970	Tuccillo
3,518,761 A	7/1970	Susman et al.
3,581,398 A	6/1971	Thomas
3,650,032 A	3/1972	Kestler

(Continued)

**Related U.S. Application Data**

(63) Continuation of application No. 29/216,697, filed on  
Nov. 5, 2004, now Pat. No. Des. 529,177.

(51) **LOC (8) Cl.** ..... **18-03**

(52) **U.S. Cl.** ..... **D24/182**

(58) **Field of Classification Search** ..... D24/156,  
D24/152, 155, 176, 180, 181, 197; 249/124;  
433/34, 54, 60, 61, 64, 74, 213

See application file for complete search history.

(56) **References Cited**

**U.S. PATENT DOCUMENTS**

921,791 A	5/1909	Benson
967,086 A	8/1910	Tuttle
1,013,028 A	12/1911	Lee
1,745,570 A	2/1930	Dimelow
1,772,027 A	8/1930	Baumgarten
1,780,117 A	10/1930	Craigo
2,031,996 A	2/1936	Zelesnick
2,037,344 A	4/1936	Schwartz
2,234,411 A	3/1941	McDonald
2,376,384 A	5/1945	Ringle et al.
2,398,671 A	4/1946	Saffir
2,577,420 A	12/1951	Jablonski et al.
2,585,857 A	2/1952	Schwartz
2,613,440 A	10/1952	Murray et al.
2,621,407 A	12/1952	Huffman
2,669,780 A	2/1954	Mann
2,827,899 A *	3/1958	Altieri ..... 128/862
2,842,845 A	7/1958	Carlson
3,150,448 A	9/1964	Wozar
3,236,235 A	2/1966	Jacobs

**FOREIGN PATENT DOCUMENTS**

DE 3 436 094 A1 3/1985

(Continued)

*Primary Examiner*—Charles A. Rademaker  
(74) *Attorney, Agent, or Firm*—Merchant & Gould P.C.

(57) **CLAIM**

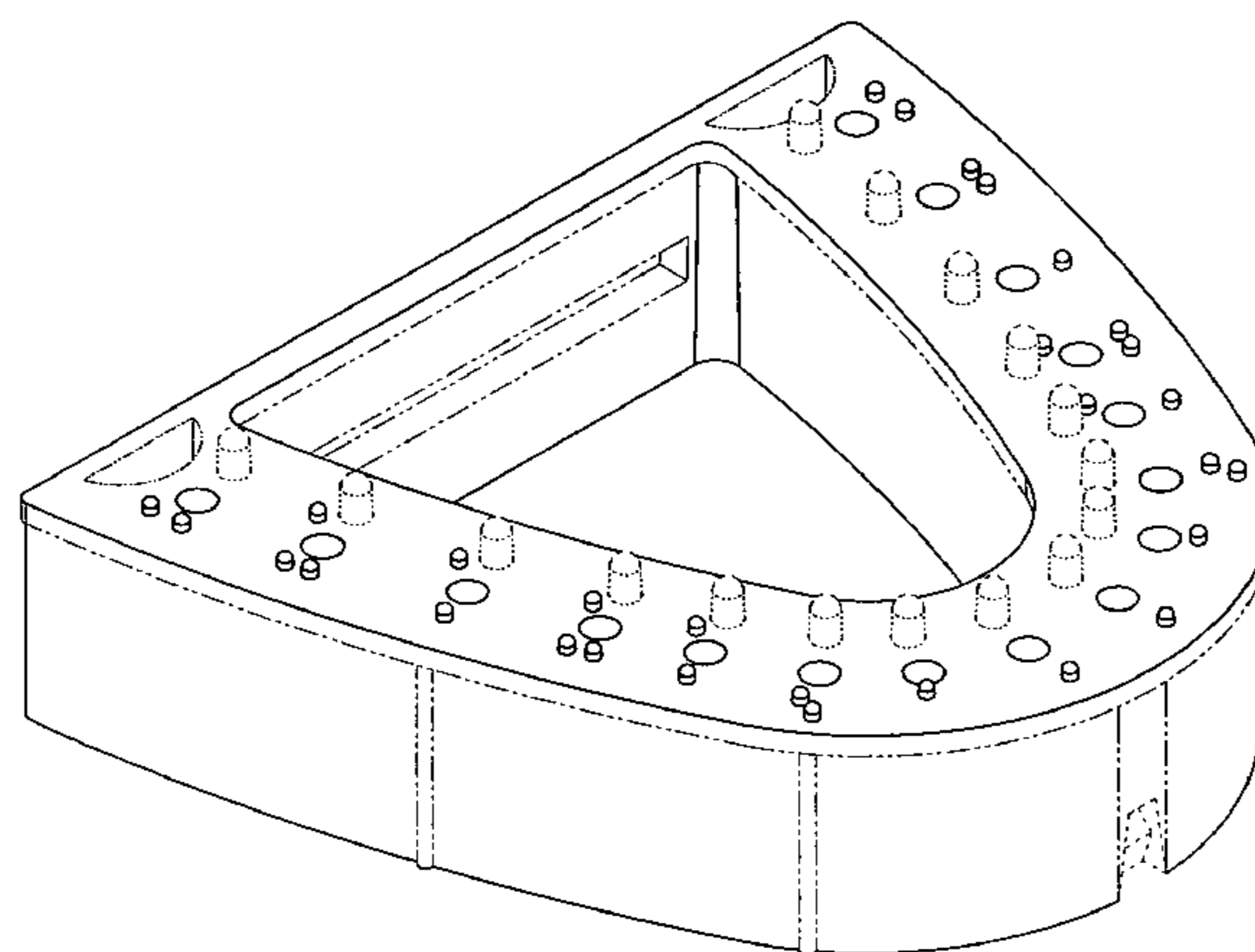
The ornamental design for dental model base with a plurality  
of indexing pins, as shown and described.

**DESCRIPTION**

FIG. 1 is a front perspective view of a dental model base  
with a plurality of indexing pins showing my new design;  
FIG. 2 is a rear perspective view thereof.  
FIG. 3 is a top view thereof.  
FIG. 4 is a left side view thereof.  
FIG. 5 is a right side view thereof.  
FIG. 6 is a rear view thereof.  
FIG. 7 is a front view thereof; and,  
FIG. 8 is a rear perspective view thereof with a partial dental  
mold mounted thereto.

The portions of the article in broken lines are shown for  
illustrative purposes only and form no part of the claimed  
design.

**1 Claim, 5 Drawing Sheets**



# US D565,186 S

Page 2

U.S. PATENT DOCUMENTS					
			4,898,359 A	2/1990	Gopon
			4,917,347 A	4/1990	Fenick
			RE33,271 E	7/1990	Shoher et al.
			4,940,409 A	7/1990	Nordin
			4,980,124 A	12/1990	Dimmer
			5,015,182 A	5/1991	Newberry
			5,028,235 A	7/1991	Smith
			5,044,949 A	9/1991	Xanthopoulos
			5,049,075 A	9/1991	Barrut
			5,076,789 A	12/1991	Tanaka
			5,098,290 A	3/1992	Honstein et al.
			5,100,317 A	3/1992	Darnand
			5,197,874 A	3/1993	Silva et al.
			5,207,574 A	5/1993	Garland
			5,352,117 A	10/1994	Silva
			5,393,227 A	2/1995	Nooning
			5,403,185 A	4/1995	Presswood
			5,466,152 A	11/1995	Walter
			5,470,231 A	11/1995	Stern
			5,501,600 A	3/1996	Johnson
			5,586,884 A	12/1996	Kraus
			5,622,497 A	4/1997	Cho
			5,766,007 A	6/1998	Huffman
			5,769,634 A	6/1998	Choi
			5,775,899 A	7/1998	Huffman
			5,788,489 A	8/1998	Huffman
			5,788,490 A	8/1998	Huffman
			5,800,166 A	9/1998	Huffman
			5,807,099 A	9/1998	Johnson
			5,868,569 A	2/1999	Huffman
			5,934,901 A	8/1999	Huffman
			5,996,963 A	12/1999	Michael
			6,033,221 A	3/2000	Tsubota et al.
			D429,815 S	8/2000	Huffman
			D430,672 S	9/2000	Huffman
			D433,136 S	10/2000	Huffman
			D433,754 S	11/2000	Huffman
			6,149,428 A	11/2000	Mogensen
			6,186,781 B1	2/2001	Iba
			6,193,511 B1	2/2001	Hudson
			6,234,794 B1	5/2001	Ozaki
			D443,363 S	6/2001	Huffman
			D444,559 S	7/2001	Huffman
			D452,009 S	12/2001	Huffman
			D452,010 S	12/2001	Huffman
			D452,319 S	12/2001	Huffman
			D452,320 S	12/2001	Huffman
			D452,321 S	12/2001	Huffman
			D452,322 S	12/2001	Huffman
			D452,566 S	12/2001	Huffman
			D452,567 S	12/2001	Huffman
			D452,568 S	12/2001	Huffman
			D456,902 S	5/2002	Huffman
			D456,903 S	5/2002	Huffman
			D456,904 S	5/2002	Huffman
			D457,243 S	5/2002	Huffman
			D457,636 S	5/2002	Huffman
			D457,637 S	5/2002	Huffman
			D457,963 S	5/2002	Huffman
			D457,964 S	5/2002	Huffman
			6,425,759 B1	7/2002	Cronin
			D464,431 S	10/2002	Huffman
			D464,432 S	10/2002	Huffman
			D464,732 S	10/2002	Huffman
			D464,733 S	10/2002	Huffman
			D465,027 S	10/2002	Huffman
			6,471,513 B1	10/2002	Huffman
			D468,018 S	12/2002	Huffman
			D468,431 S	1/2003	Huffman
			D468,432 S	1/2003	Huffman
			D469,537 S	1/2003	Huffman
			6,511,318 B2	1/2003	Kim
			D481,797 S	11/2003	Huffman
3,753,291 A	8/1973	Bocian et al.			
3,832,777 A	9/1974	Tinder			
3,913,230 A	10/1975	Weiss			
3,934,348 A	1/1976	Janjic			
3,937,773 A	2/1976	Huffman			
3,969,820 A	7/1976	Kulig et al.			
4,021,916 A	5/1977	Spalten			
4,022,419 A	5/1977	Haker			
4,116,416 A	9/1978	Segura			
4,122,606 A	10/1978	Roman			
4,127,939 A	12/1978	Samuel et al.			
4,174,570 A	11/1979	Schwartz			
4,203,219 A	5/1980	Wiener			
D257,387 S	10/1980	Skarky			
4,229,167 A	10/1980	Kikuchi et al.			
4,240,605 A	12/1980	Waltke			
4,242,812 A	1/1981	Randoll et al.			
4,265,619 A	5/1981	Lucki et al.			
4,283,173 A	8/1981	Browne et al.			
4,301,357 A	11/1981	Huffman			
4,319,875 A	3/1982	Beckwith			
4,359,464 A	11/1982	Weinstock			
4,371,339 A	2/1983	Zeiser			
4,378,929 A	4/1983	Huffman			
4,382,787 A	5/1983	Huffman			
4,398,884 A	8/1983	Huffman			
4,403,961 A	9/1983	Gurney			
4,436,511 A	3/1984	Mitchell, Sr.			
4,439,151 A	3/1984	Whelan			
4,443,192 A	4/1984	Blitz			
4,449,930 A	5/1984	Huffman			
4,449,931 A	5/1984	Saito			
4,459,110 A	7/1984	Jackson			
4,473,353 A	9/1984	Greggs			
4,481,162 A	11/1984	Huffman			
4,494,934 A	1/1985	Huffman			
4,504,226 A	3/1985	Gordon			
D278,274 S	4/1985	Levine			
4,521,188 A	6/1985	Metzler			
4,533,323 A	8/1985	Huffman			
4,538,987 A	9/1985	Weissman			
4,548,581 A	10/1985	Huffman			
D283,541 S	4/1986	Huffman			
D283,542 S	4/1986	Huffman			
D283,639 S	4/1986	Huffman			
D283,730 S	5/1986	Huffman			
4,608,016 A	8/1986	Zeiser			
D286,179 S	10/1986	Huffman			
D286,436 S	10/1986	Huffman			
4,645,454 A	2/1987	Amdur et al.			
D289,924 S	5/1987	Huffman			
4,671,770 A	6/1987	Bell et al.			
4,708,648 A	11/1987	Weissman			
4,708,835 A	11/1987	Kiefer			
4,721,464 A	1/1988	Roden et al.			
4,734,033 A	3/1988	Huffman			
4,767,330 A	8/1988	Burger			
4,767,331 A	8/1988	Hoe			
4,786,253 A	11/1988	Morais			
4,834,651 A	5/1989	Fenick			
4,842,242 A	6/1989	Huffman			
D302,456 S	7/1989	Huffman			
D302,587 S	8/1989	Huffman			
D302,724 S	8/1989	Huffman			
D302,725 S	8/1989	Huffman			
4,865,546 A	9/1989	Naylor			
RE33,099 E	10/1989	Shoher et al.			
4,886,453 A	12/1989	Ludwigs			
D305,361 S	1/1990	Huffman			
D305,362 S	1/1990	Huffman			
D306,206 S	2/1990	Huffman			

# US D565,186 S

Page 3

---

6,726,477	B2	4/2004	Gittleman	DE	295 06 480	U1	8/1995
6,884,068	B2	4/2005	Huffman	DE	296 13 916	U1	1/1998
6,932,608	B1	8/2005	Gagliano et al.	DE	4 01 05 710.0		10/2001
D512,148	S	11/2005	Kwok	EP	0 210 484	A2	2/1985
7,044,734	B2	5/2006	Huffman	EP	0 151 086	A2	8/1985
D529,177	S	9/2006	Huffman	EP	0 277 026	A2	8/1988
7,108,507	B2	9/2006	Huffman	EP	0 291 821	A1	11/1988
D530,014	S	10/2006	Huffman	EP	0 528 335		2/1993
7,156,660	B2	1/2007	Huffman	FR	2 750 851	A1	1/1998
2002/0102514	A1	8/2002	Huffman	FR	2 757 372	A1	6/1998
2004/0029071	A1	2/2004	Huffman	FR	2 770 994		5/1999
2004/0096802	A1	5/2004	Gittleman	FR	653652TO653664		2/2002
2005/0064364	A1	3/2005	Huffman	GB	866118		4/1961
2005/0064365	A1	3/2005	Huffman	GB	886118		1/1962
2005/0064366	A1	3/2005	Huffman	GB	2105427		3/1983
2005/0106530	A1	5/2005	Huffman	JP	1175348		4/2003

## FOREIGN PATENT DOCUMENTS

DE	3 505 680	A1	7/1985
DE	3 521 137	A1	12/1986
DE	3 825 014	A1	1/1990

WO	WO 88/10101		12/1988
WO	WO 97/16130		5/1997
WO	WO 01/01881	A2	1/2001

\* cited by examiner

FIG. 1

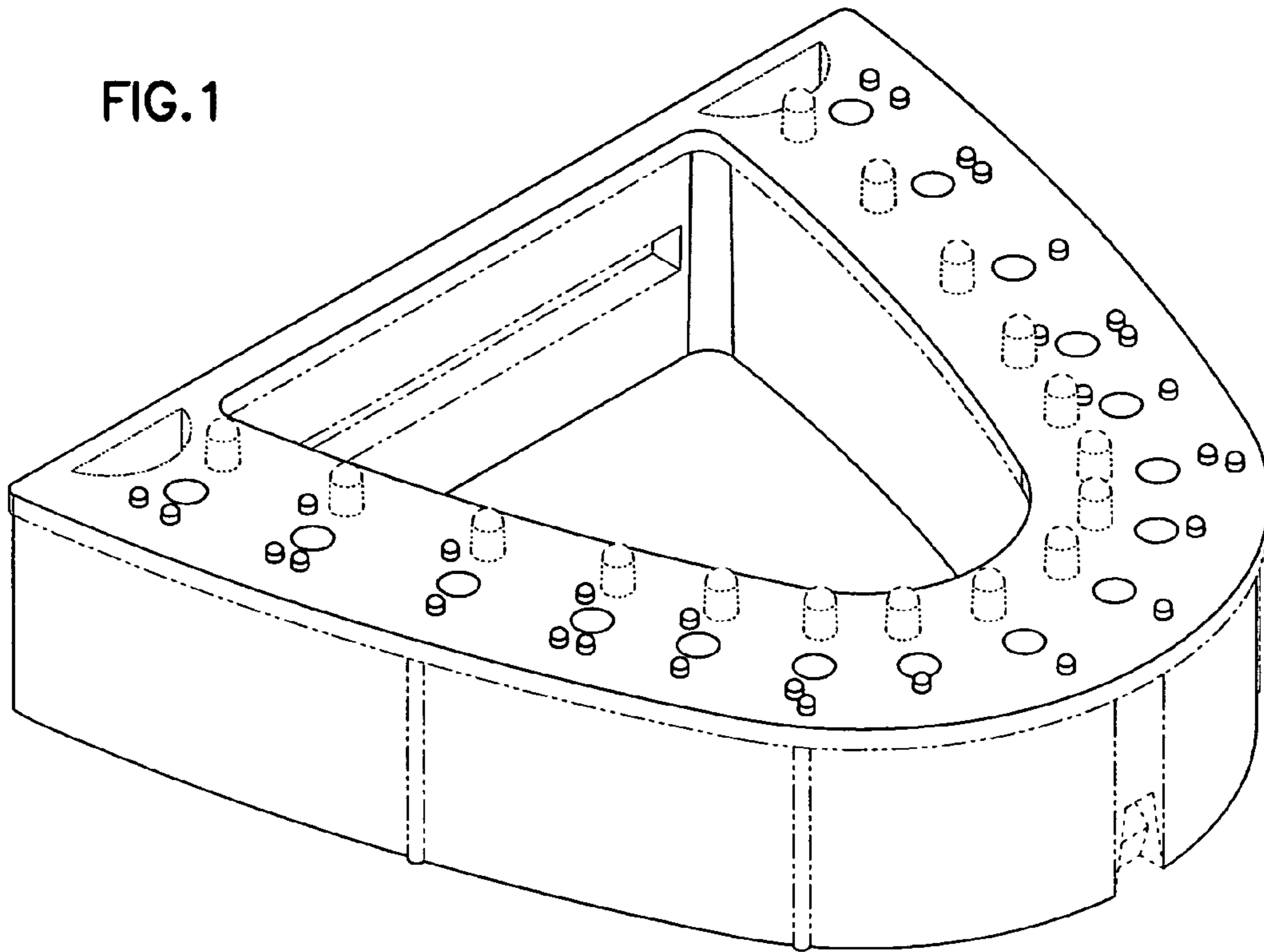


FIG. 2

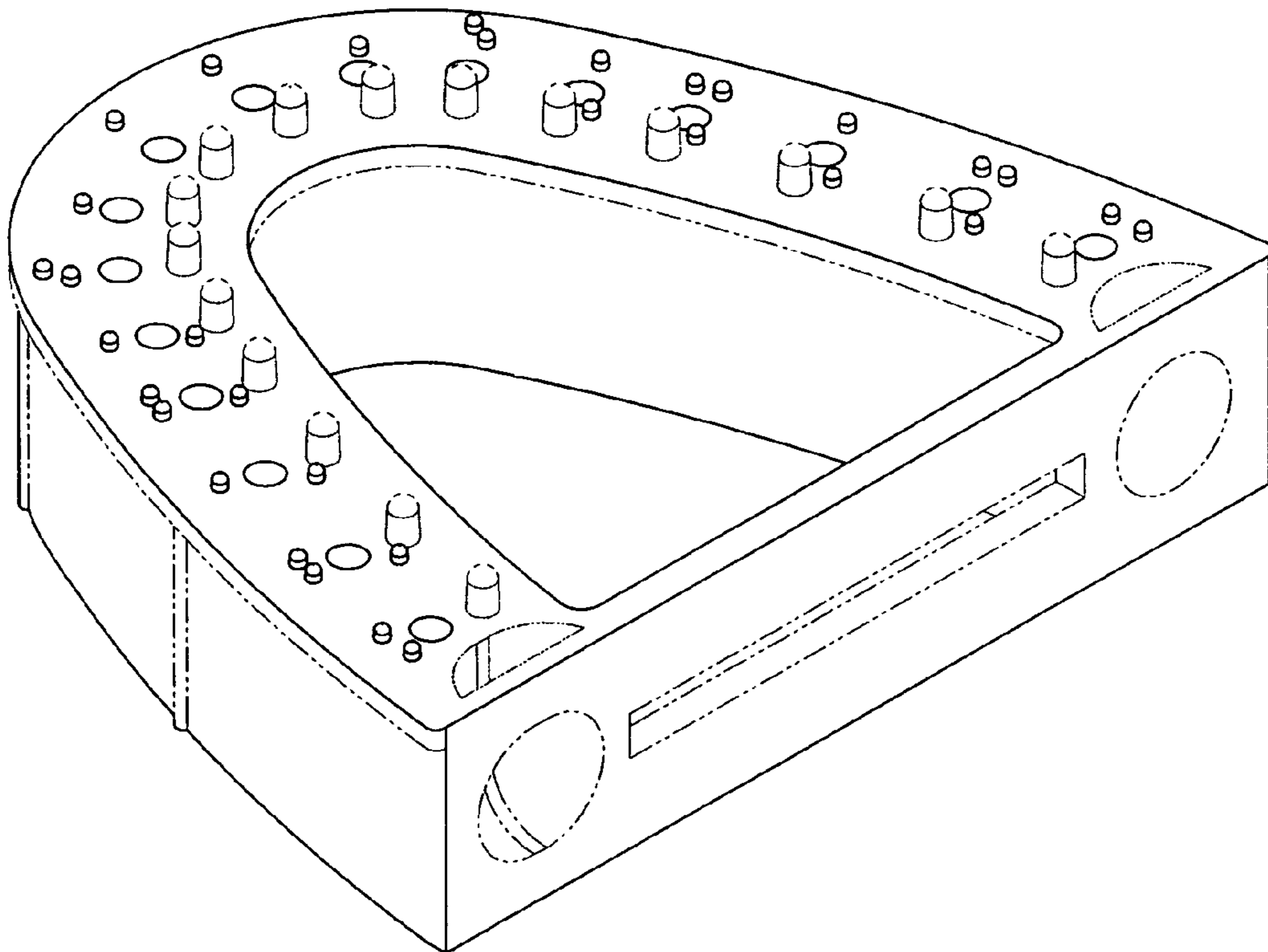


FIG.3

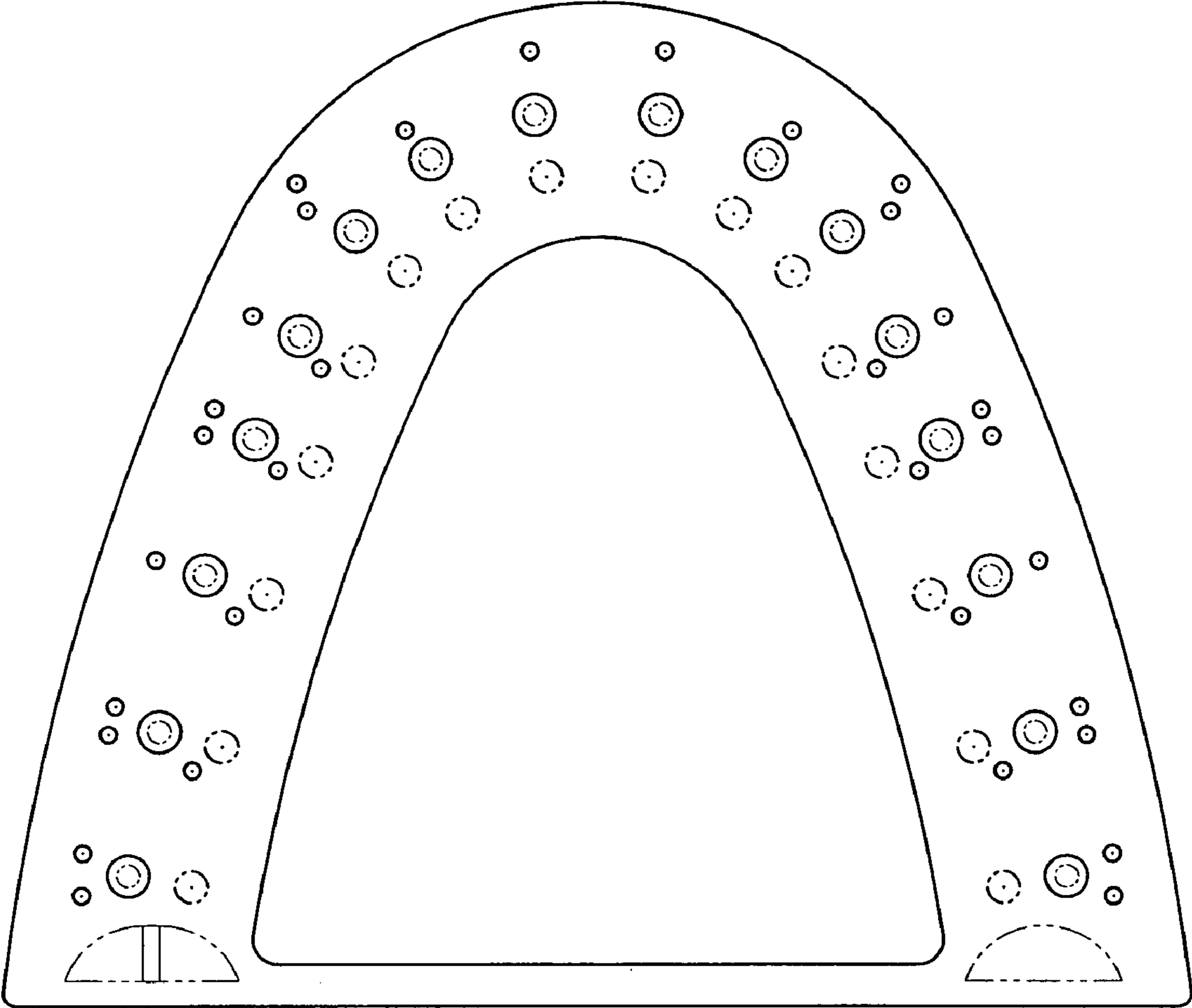


FIG.4

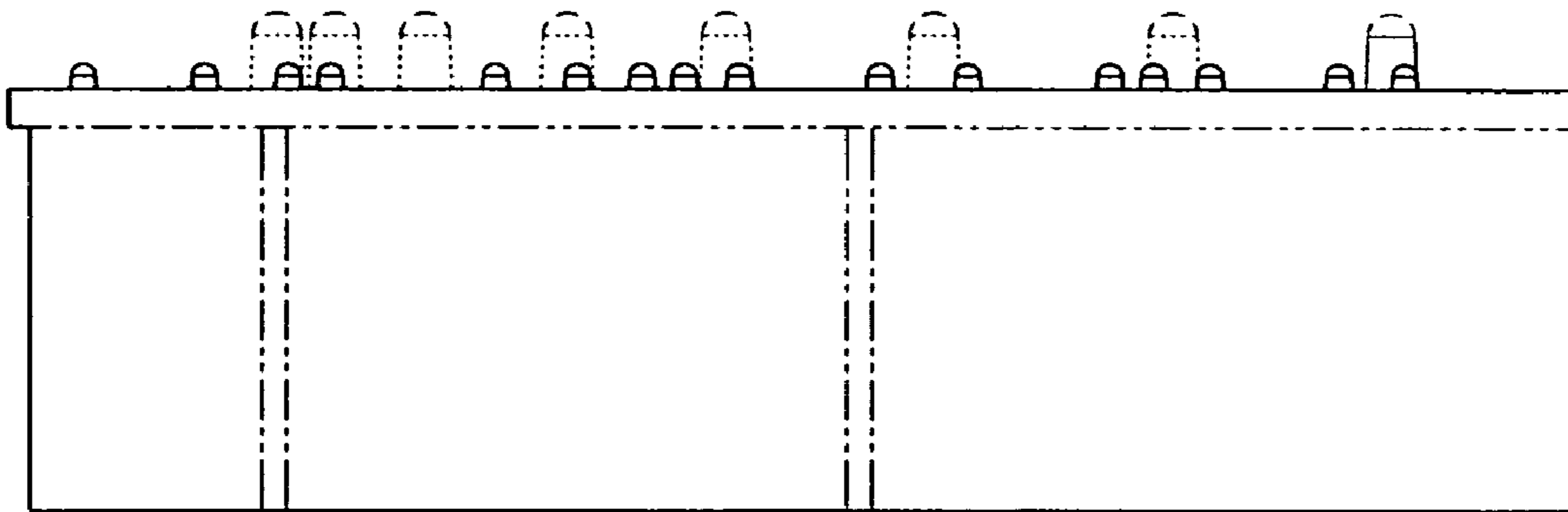


FIG.5

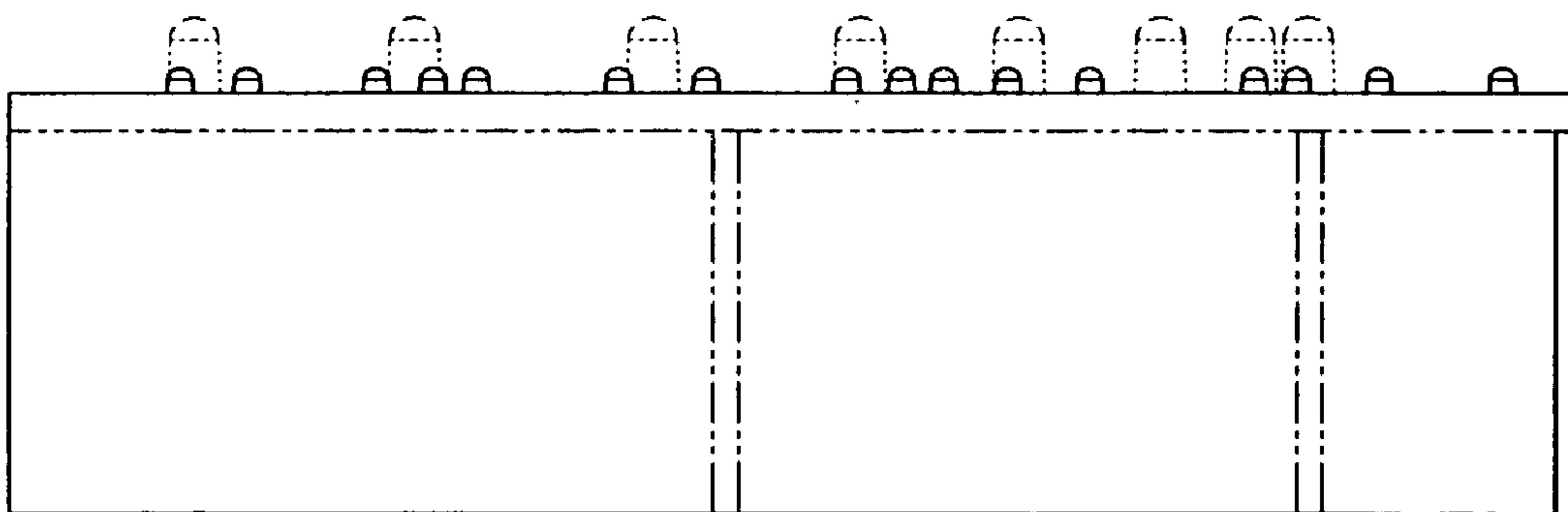


FIG. 6

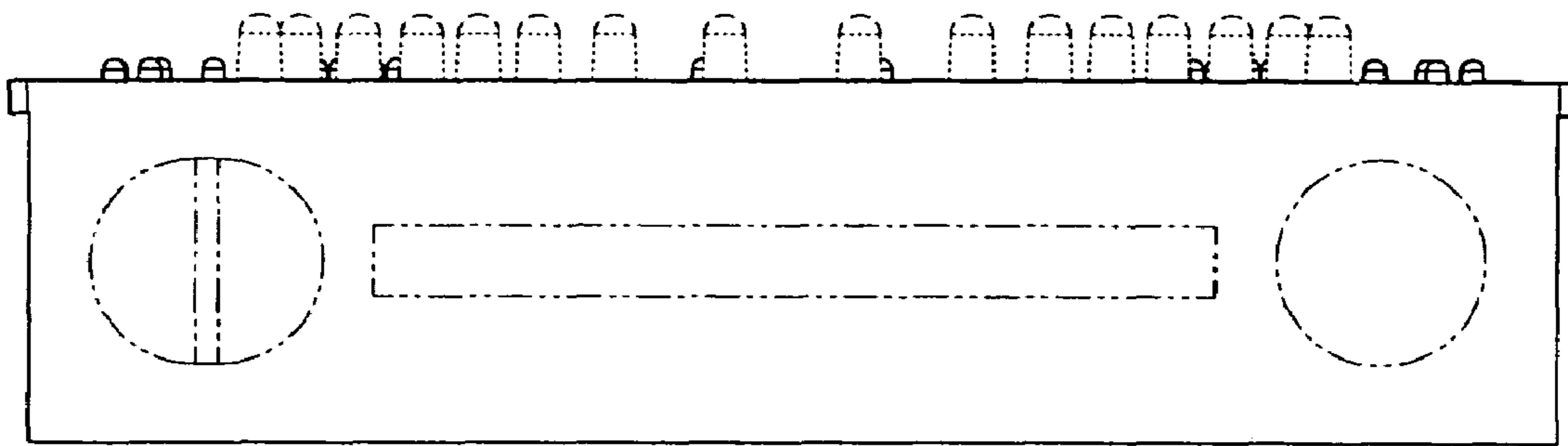


FIG. 7

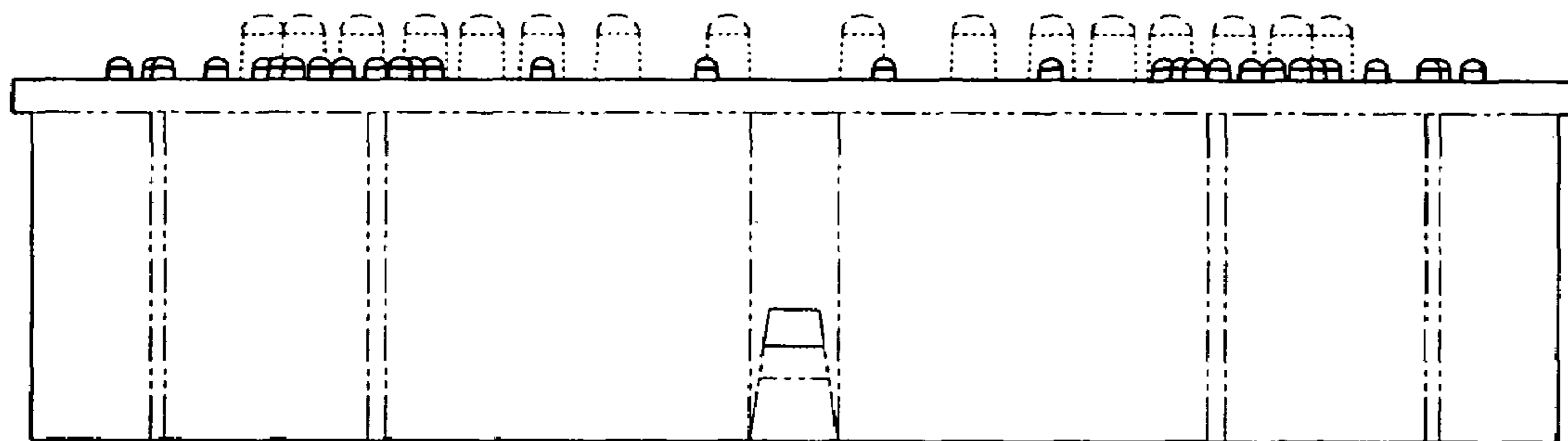


FIG.8

