



US00D565185S

(12) **United States Design Patent**
Wilkens

(10) **Patent No.:** **US D565,185 S**
(45) **Date of Patent:** **** Mar. 25, 2008**

(54) **DENTAL IMPRESSION TRAY**
(75) Inventor: **Paul Wilkens**, Tampa, FL (US)
(73) Assignee: **Ortho Technology, Inc.**, Tampa, FL (US)
(**) Term: **14 Years**

D323,397 S * 1/1992 Mann D24/181
D328,494 S * 8/1992 Schwendeman et al. ... D24/176
D372,088 S * 7/1996 Frush D24/181
D372,096 S * 7/1996 Frush D24/181
D374,932 S * 10/1996 Engelman D24/181
D406,405 S * 3/1999 Yoshida D29/108
D408,919 S * 4/1999 Cooley D24/181
D456,515 S * 4/2002 Dinu D24/181
D495,799 S * 9/2004 Hirsch et al. D24/152

(21) Appl. No.: **29/218,721**
(22) Filed: **Dec. 15, 2004**

* cited by examiner

Primary Examiner—Charles A. Rademaker
(74) *Attorney, Agent, or Firm*—Arthur W. Fisher, III

(51) **LOC (8) Cl.** **24-03**
(52) **U.S. Cl.** **D24/181**
(58) **Field of Classification Search** D24/180–181,
D24/176, 155–156, 107; 433/37–43, 76,
433/165, 213–214, 102; 173/76; 606/130,
606/2; 623/17.11; D10/64, 74, 70; 128/862,
128/859

(57) **CLAIM**

I claim the ornamental design for a dental impression tray, as shown and described.

See application file for complete search history.

DESCRIPTION

(56) **References Cited**

U.S. PATENT DOCUMENTS

2,827,899 A * 3/1958 Altieri 128/862
3,236,235 A * 2/1966 Jacobs 128/862
D210,278 S * 2/1968 White D24/181
D212,848 S * 12/1968 Westlund et al. D24/181
D215,685 S * 10/1969 Rodeo D29/108
D257,387 S * 10/1980 Skarky D24/181
D263,073 S * 2/1982 Jonkers et al. D24/181
D281,532 S * 11/1985 Weissman D24/181
D300,059 S * 2/1989 Pier D24/176

FIG. 1 is a perspective view of a dental impression tray showing my new design;

FIG. 2 is a top plan view thereof;

FIG. 3 is a bottom plan view thereof;

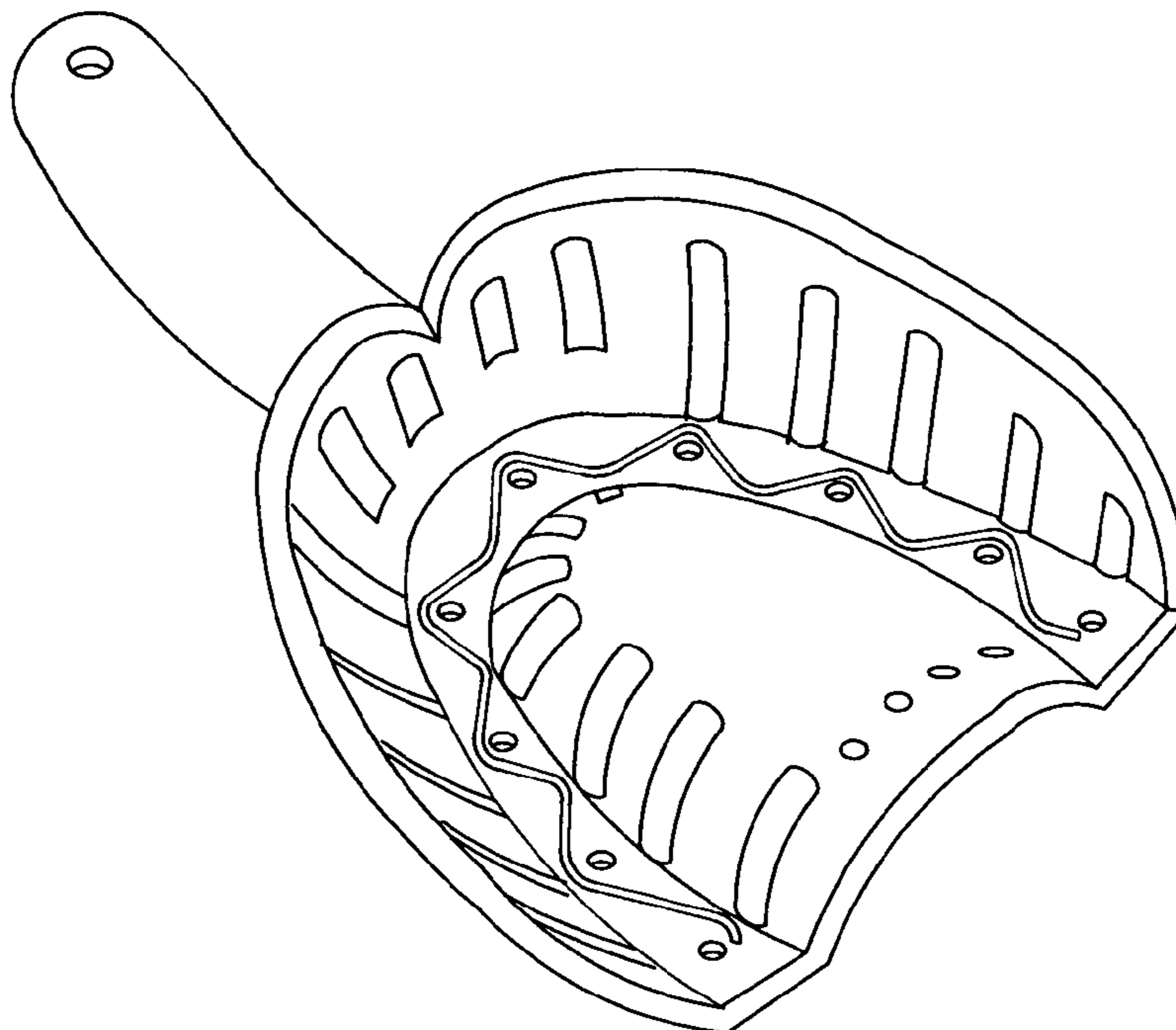
FIG. 4 is a right side elevation thereof;

FIG. 5 is a left side elevation thereof;

FIG. 6 is a front elevation thereof; and,

FIG. 7 is a rear elevation thereof.

1 Claim, 4 Drawing Sheets



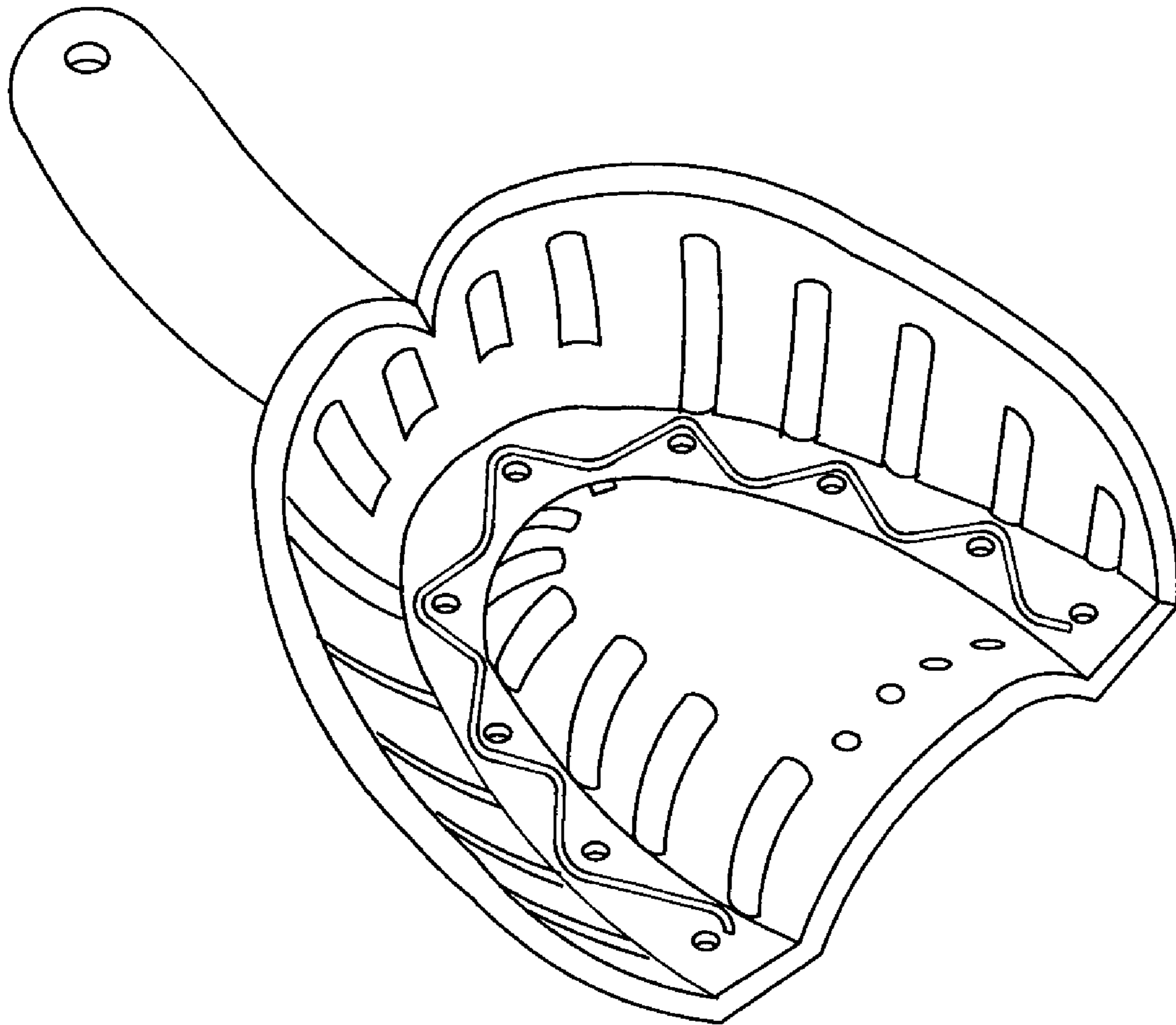


FIG. 1

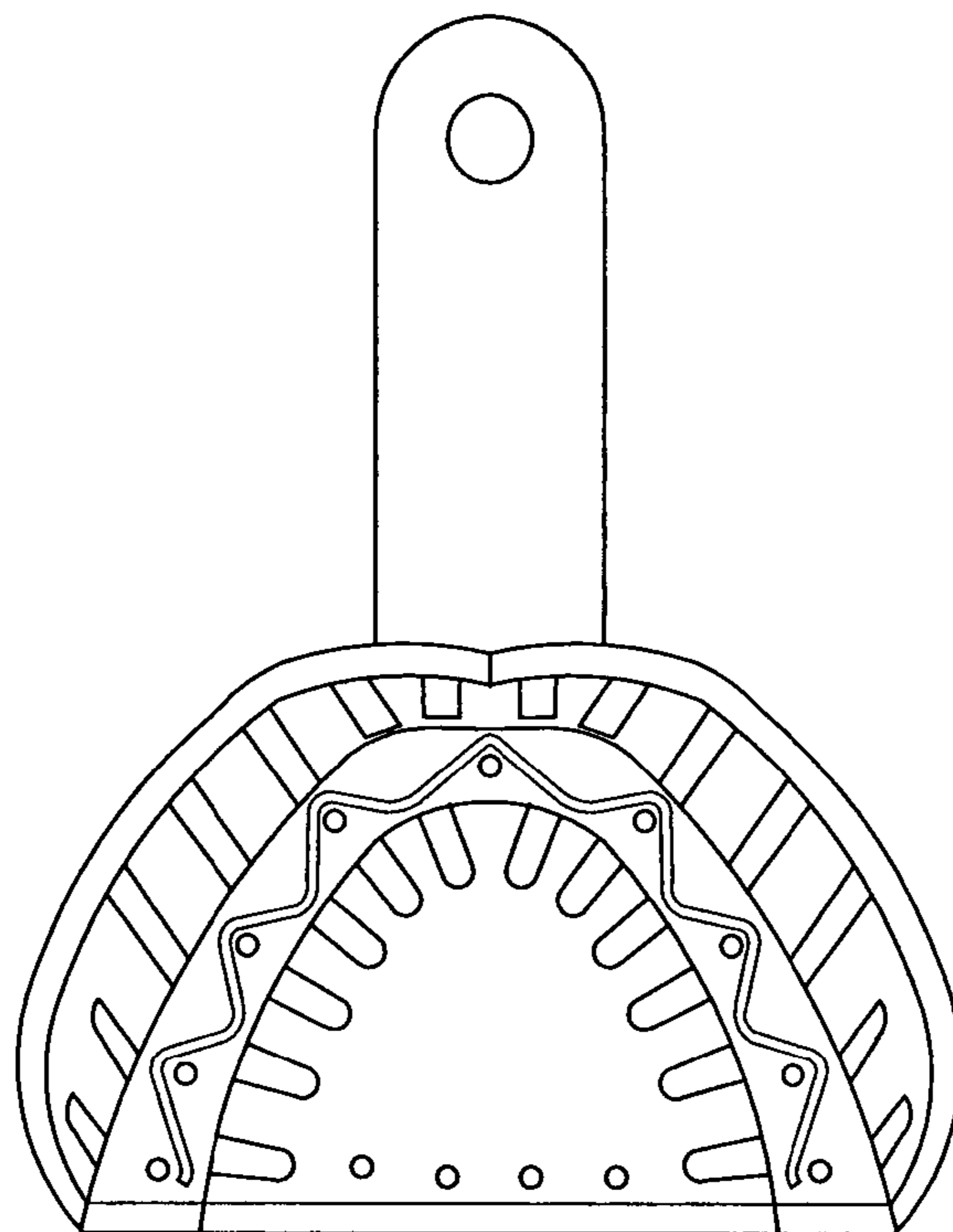


FIG. 2

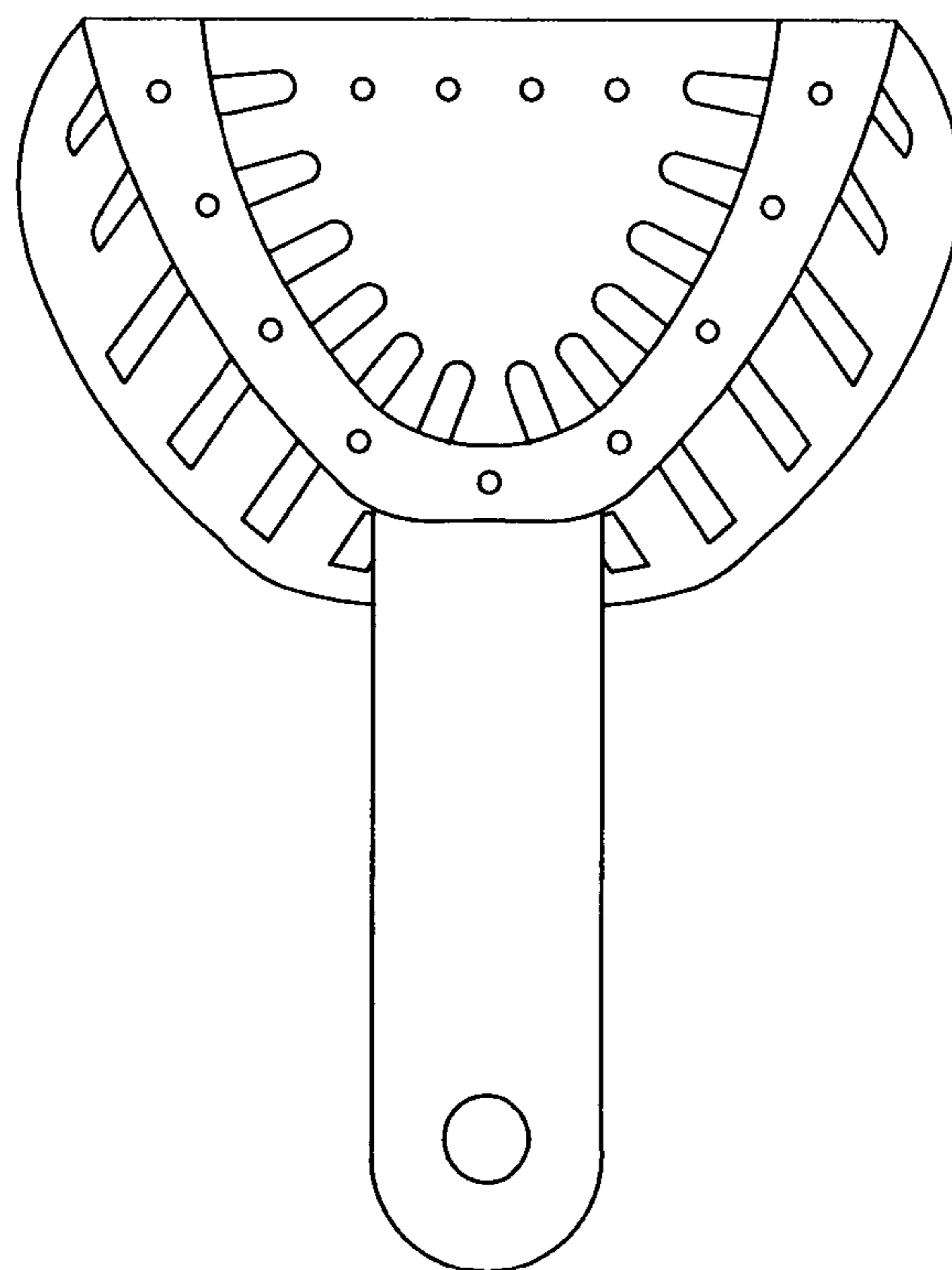


FIG. 3

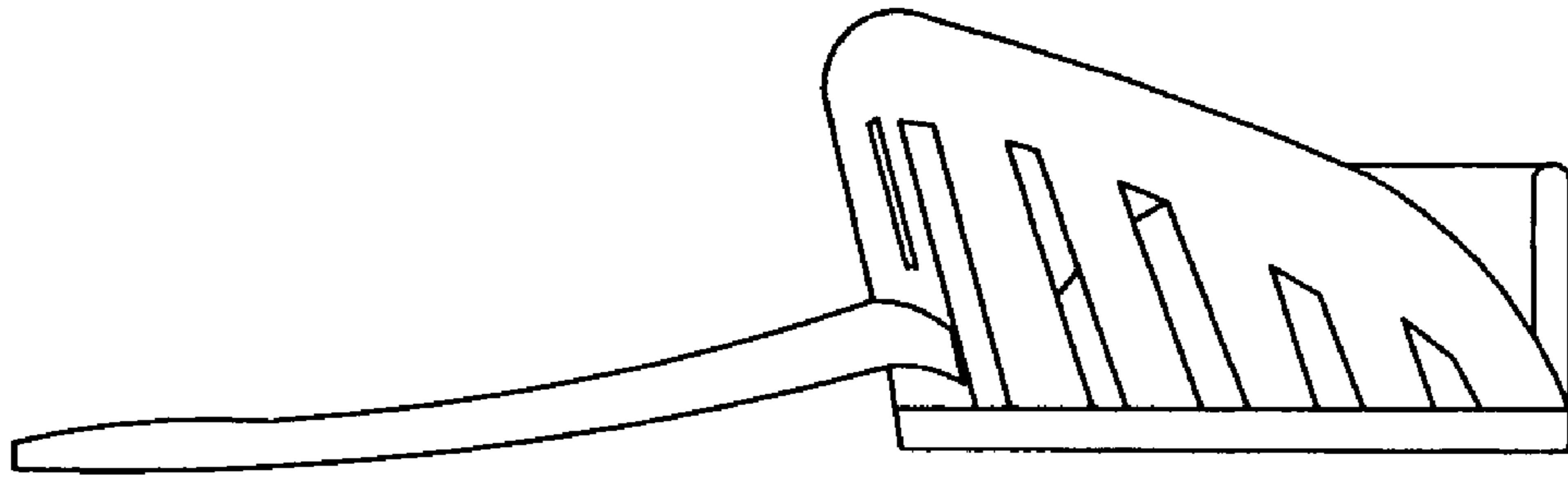


FIG. 4

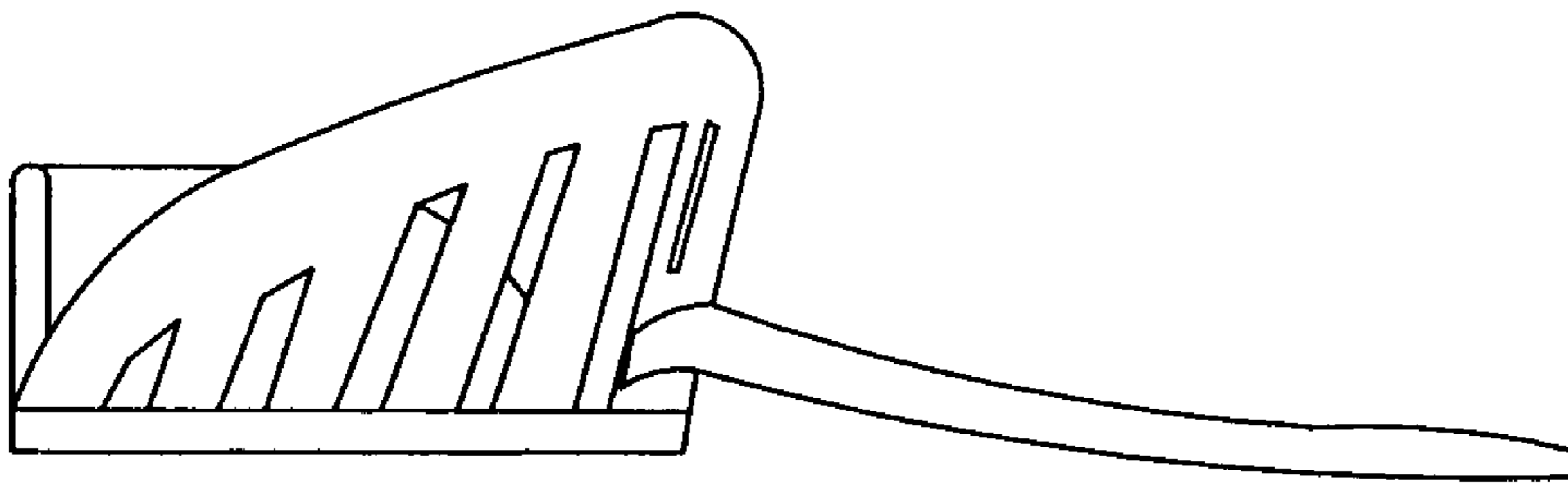


FIG. 5

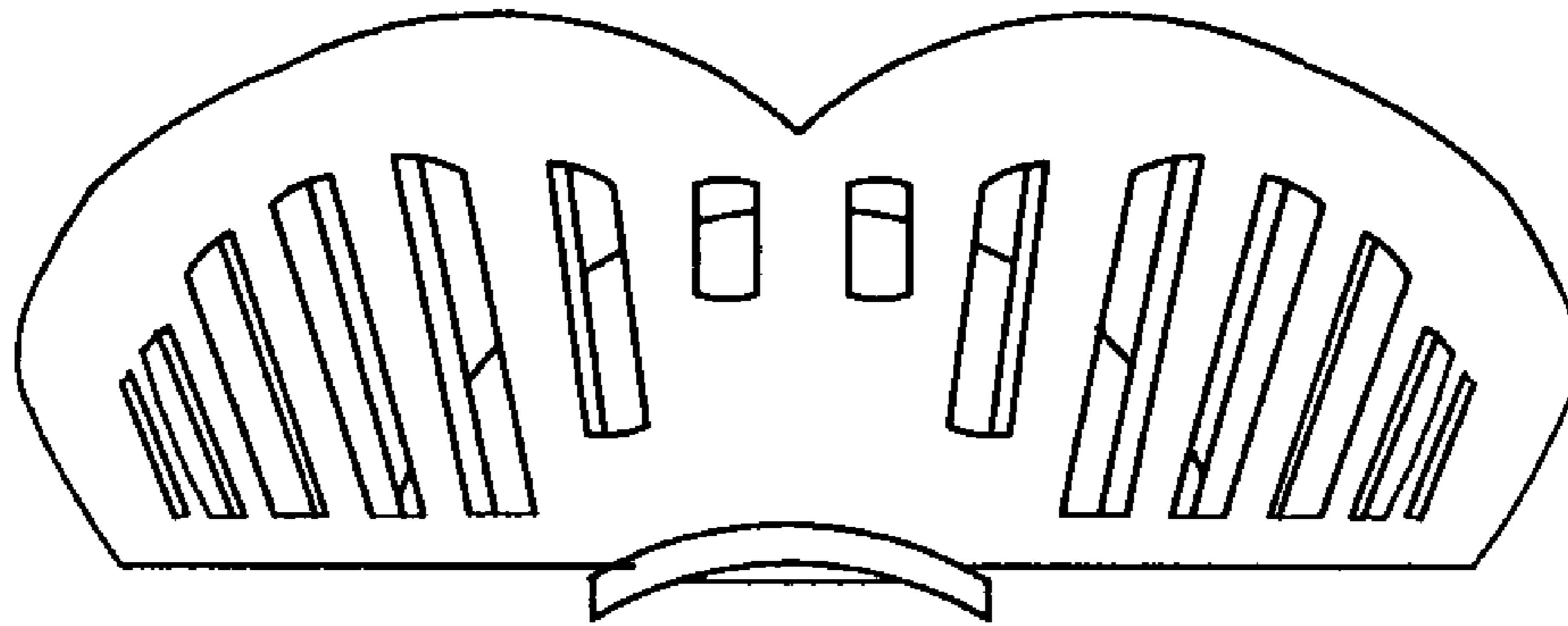


FIG. 6

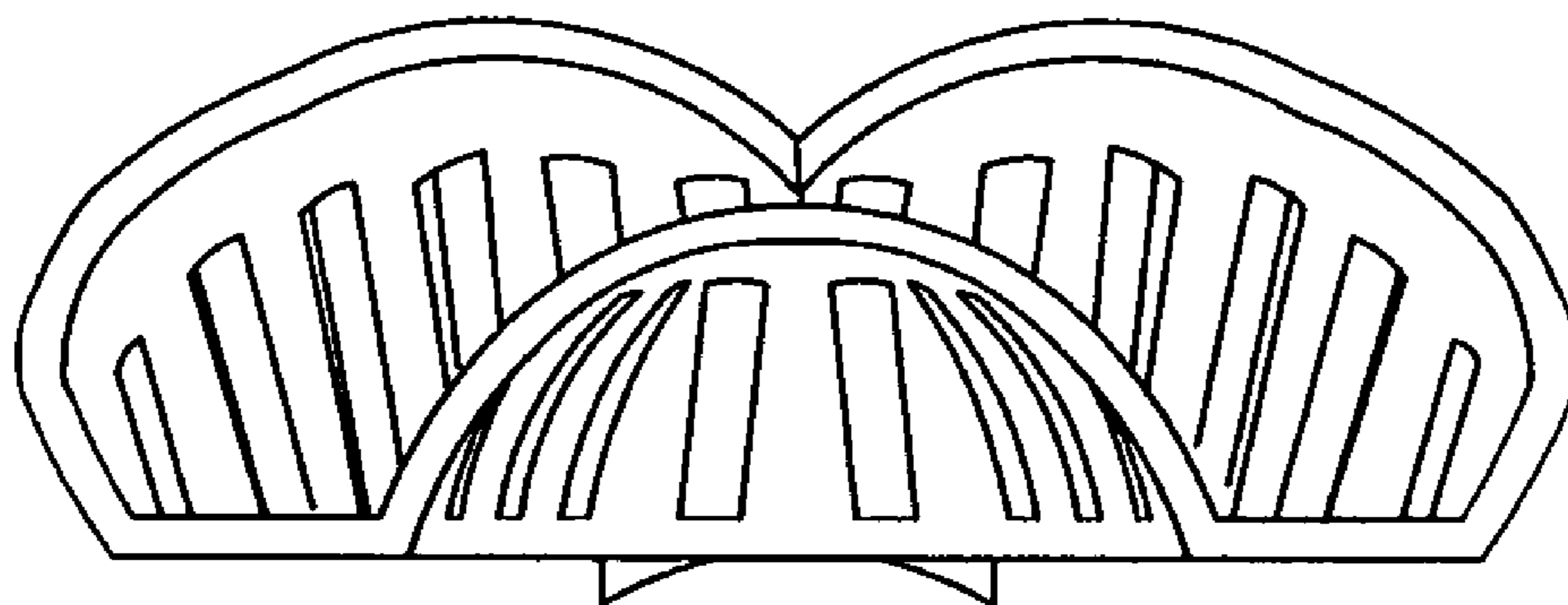


FIG. 7