

US00D565184S

(12) **United States Design Patent**
Royzen

(10) **Patent No.:** **US D565,184 S**

(45) **Date of Patent:** **** Mar. 25, 2008**

(54) **INTRAORAL SENSOR**

(75) Inventor: **Arkadiy Royzen**, Brooklyn, NY (US)

(73) Assignee: **Sirona Dental Systems GmbH**,
Bensheim (DE)

(**) Term: **14 Years**

(21) Appl. No.: **29/285,059**

(22) Filed: **Mar. 19, 2007**

(51) **LOC (8) Cl.** **24-01**

(52) **U.S. Cl.** **D24/168**

(58) **Field of Classification Search** D24/167,
D24/168, 161, 176, 158; 378/39, 98.8, 168,
378/180, 191

See application file for complete search history.

(56) **References Cited**

U.S. PATENT DOCUMENTS

D243,476 S *	2/1977	Avery	D24/168
D361,619 S *	8/1995	Phleps et al.	D24/158
D409,307 S *	5/1999	Phleps et al.	D24/158
6,320,934 B1 *	11/2001	Carroll et al.	378/98.8
6,520,676 B1 *	2/2003	Schmitz	378/191
D478,666 S *	8/2003	Cienciosi	D24/158
6,652,141 B1 *	11/2003	Cienciosi	378/191

D504,722 S * 5/2005 Cienciosi D24/158
2006/0098787 A1 * 5/2006 Schmulenson 378/168

* cited by examiner

Primary Examiner—Ian Simmons
Assistant Examiner—Anhdao Doan

(74) *Attorney, Agent, or Firm*—Fitzpatrick, Cella, Harper & Scinto

(57) **CLAIM**

The ornamental design for an intraoral sensor, as shown and described.

DESCRIPTION

FIG. 1 is a perspective view of an intraoral sensor showing my new design;

FIG. 2 is a side view thereof, the opposite side being a mirror image;

FIG. 3 is a front view thereof;

FIG. 4 is a rear view thereof;

FIG. 5 is a top view thereof; and,

FIG. 6 is a bottom view thereof.

The cable is shown in broken lines for illustrative purposes only and forms no part of the claimed design.

1 Claim, 3 Drawing Sheets

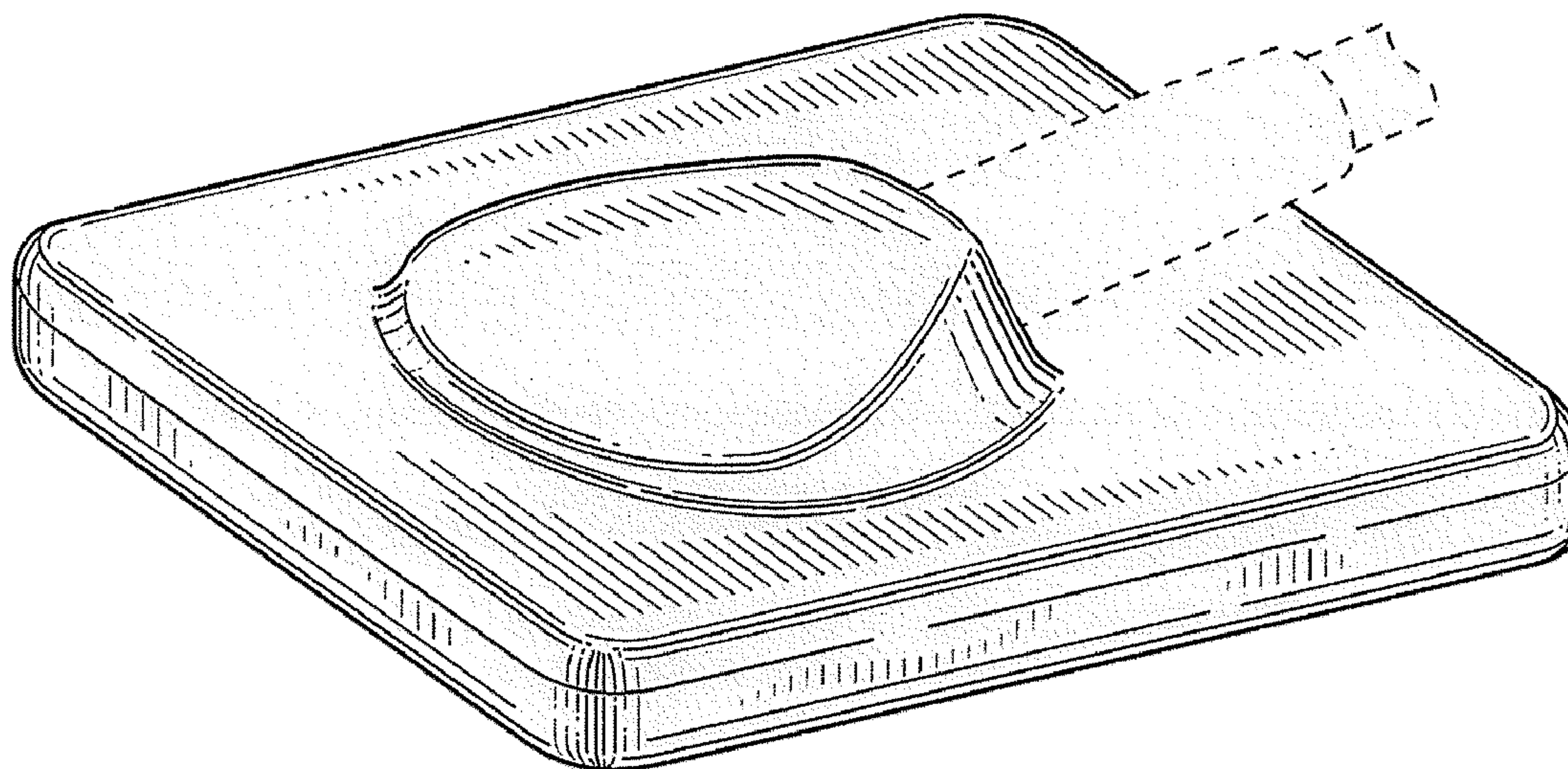


FIG. 1

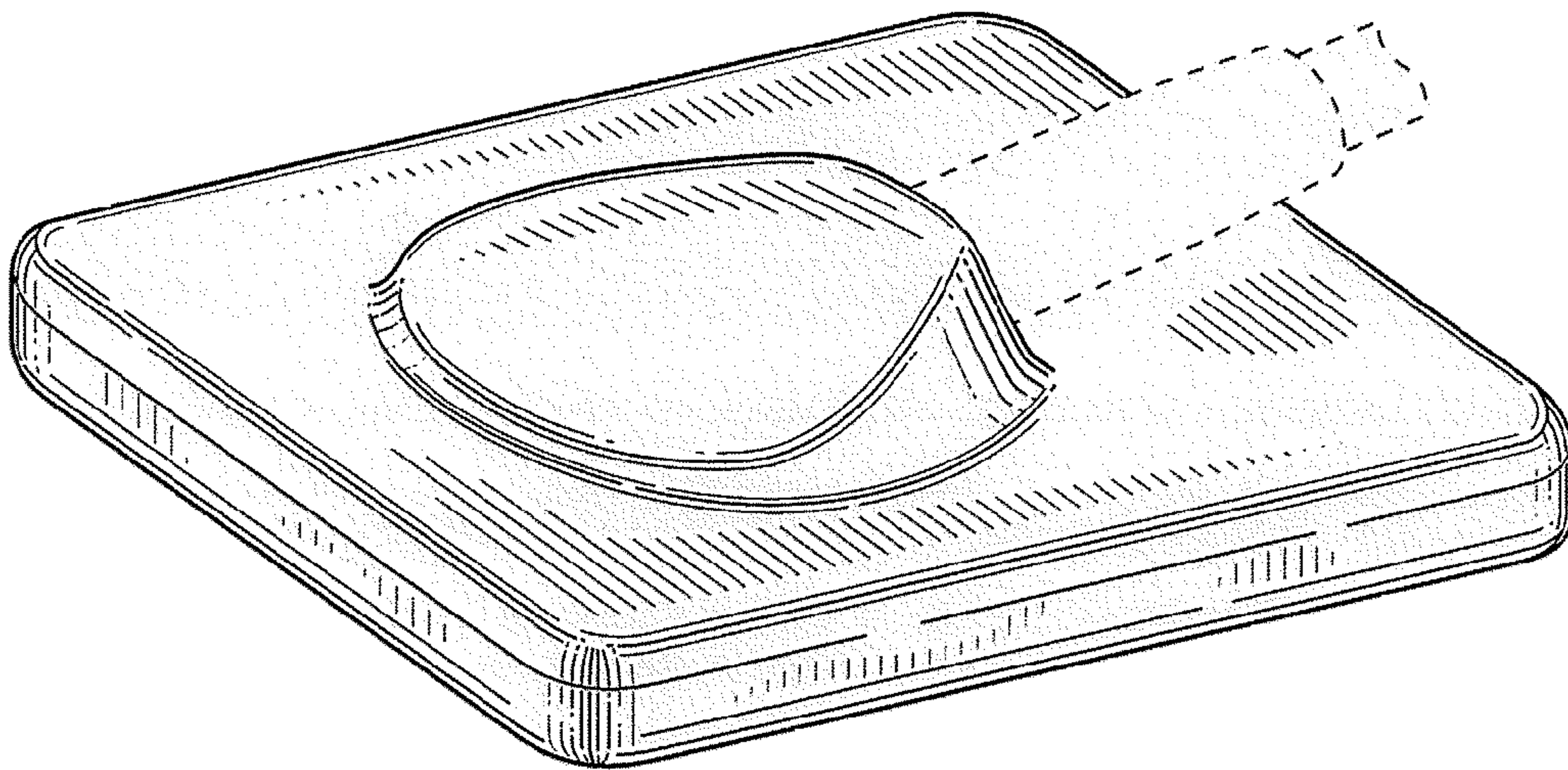


FIG. 2

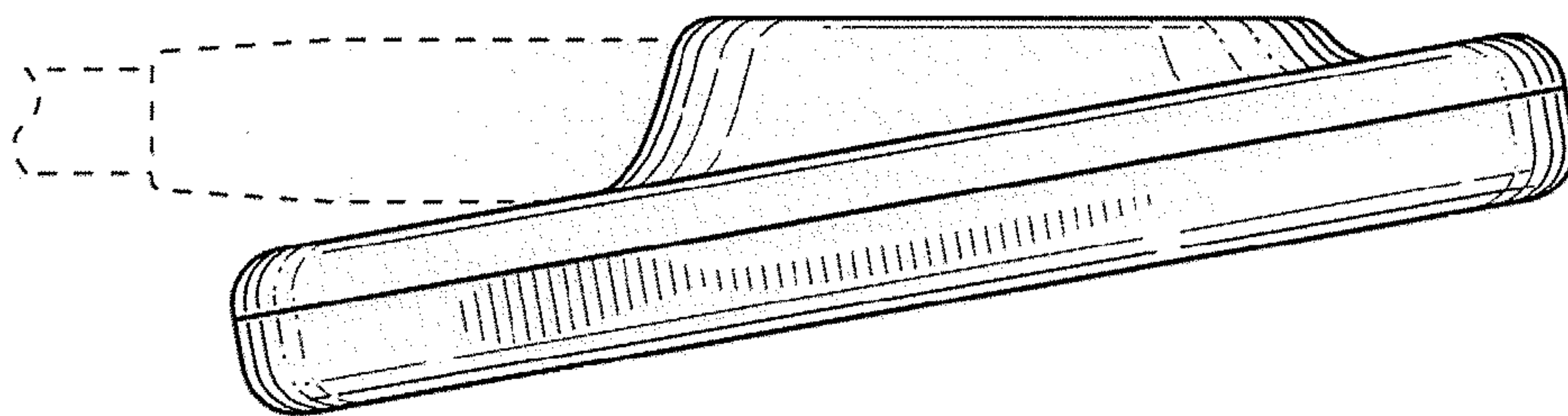


FIG. 3

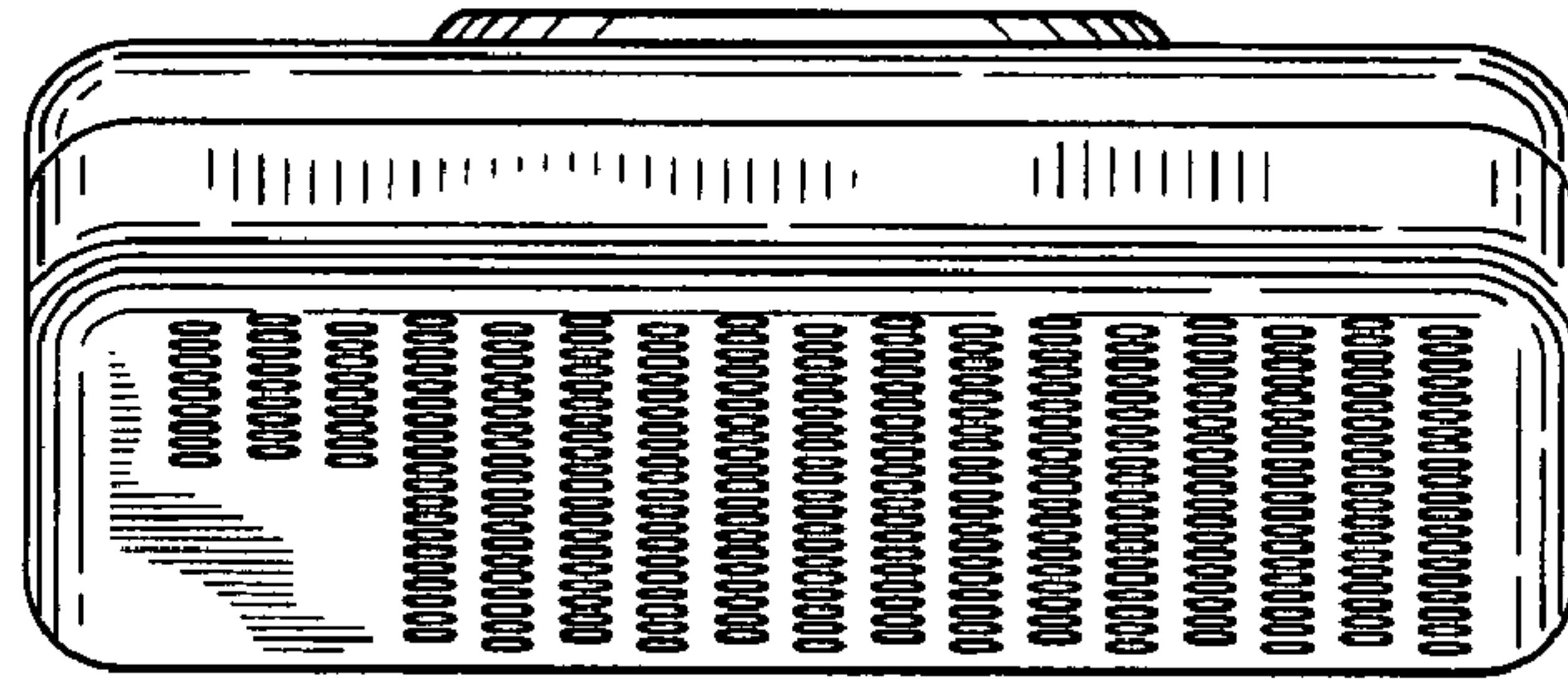


FIG. 4

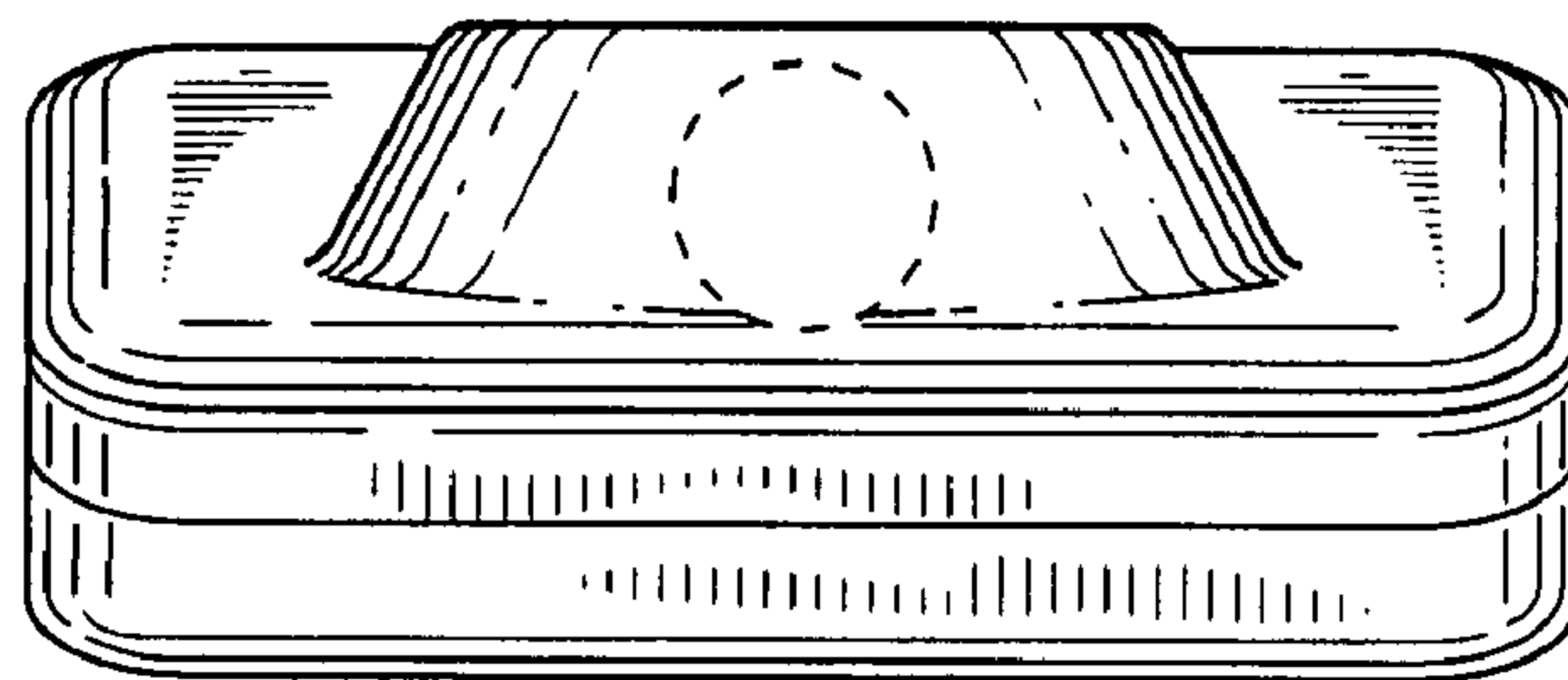


FIG. 5

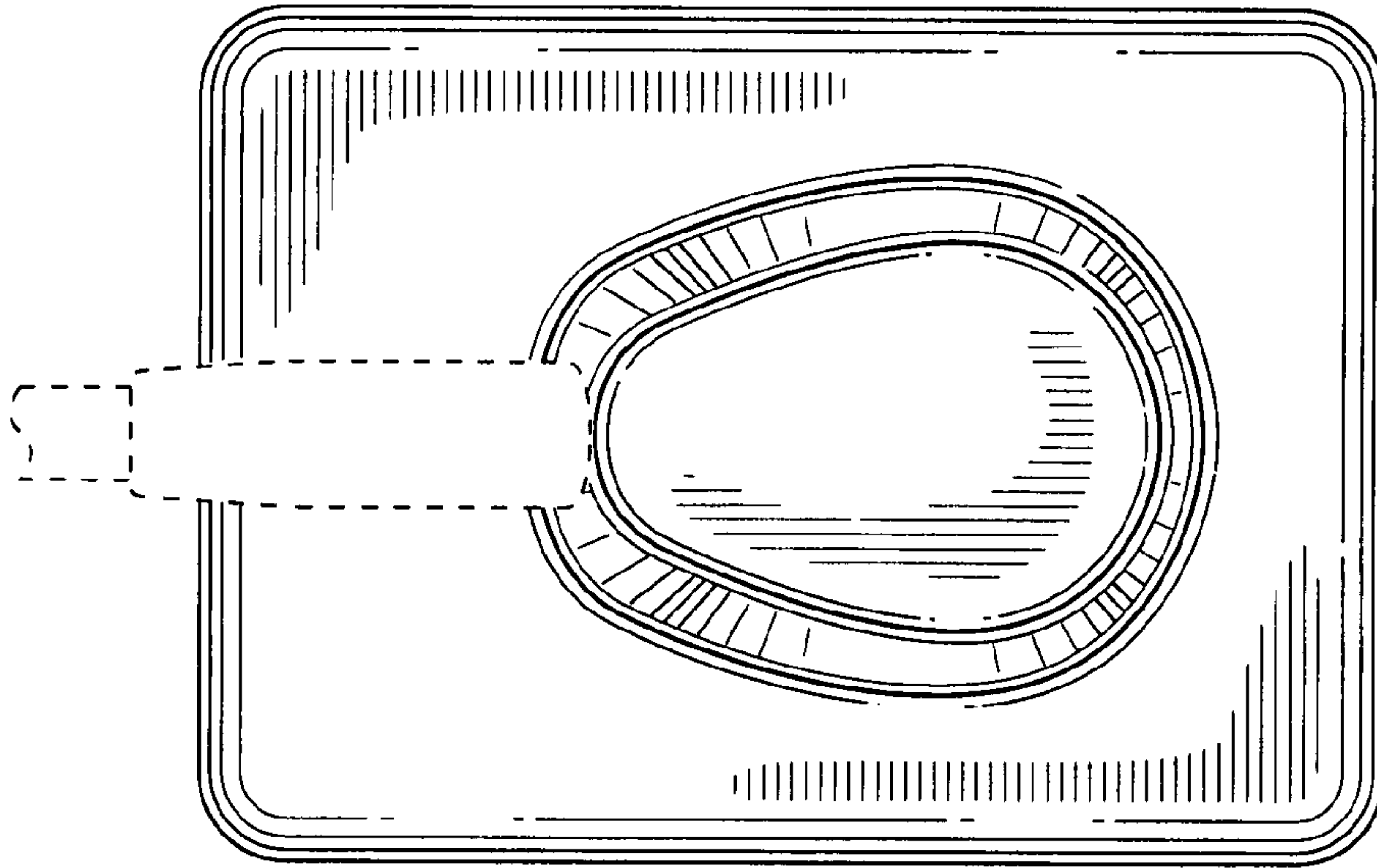


FIG. 6

