



US00D565182S

(12) **United States Design Patent**
Cheng et al.

(10) **Patent No.:** **US D565,182 S**
(45) **Date of Patent:** **** Mar. 25, 2008**

(54) **APPARATUS FOR MEASURING
ELECTROPHYSIOLOGICAL SIGNALS**

7,110,804 B2 * 9/2006 Baumer et al. 600/372
7,236,818 B2 * 6/2007 McLeod et al. 600/509

(75) Inventors: **Arthur Cheng**, New South Wales
(AU); **Alexander Klistorner**, New
South Wales (AU); **Jonathan Mathew
Dyer**, New South Wales (AU)

* cited by examiner

Primary Examiner—Antoine D. Davis

(73) Assignee: **Objectivison Limited**, New South
Wales (AU)

(74) *Attorney, Agent, or Firm*—Ladas and Parry LLP

(**) Term: **14 Years**

(57) **CLAIM**

(21) Appl. No.: **29/273,231**

The ornamental design for an apparatus for measuring
electrophysiological signals, as shown and described.

(22) Filed: **Feb. 28, 2007**

DESCRIPTION

(30) **Foreign Application Priority Data**

Aug. 31, 2006 (AU) 13938/06

(51) **LOC (8) Cl.** **24-01**

(52) **U.S. Cl.** **D24/167; D24/186**

(58) **Field of Classification Search** D24/167–168;
600/300, 301, 331, 332, 509; 606/1; 128/897,
128/920; 607/2, 59, 62, 115, 134
See application file for complete search history.

FIG. 1 is a right perspective view of the apparatus showing
our new design;

FIG. 2 is a left perspective view thereof;

FIG. 3 is a left side view thereof;

FIG. 4 is a plan view thereof; and,

FIG. 5 is a front view thereof.

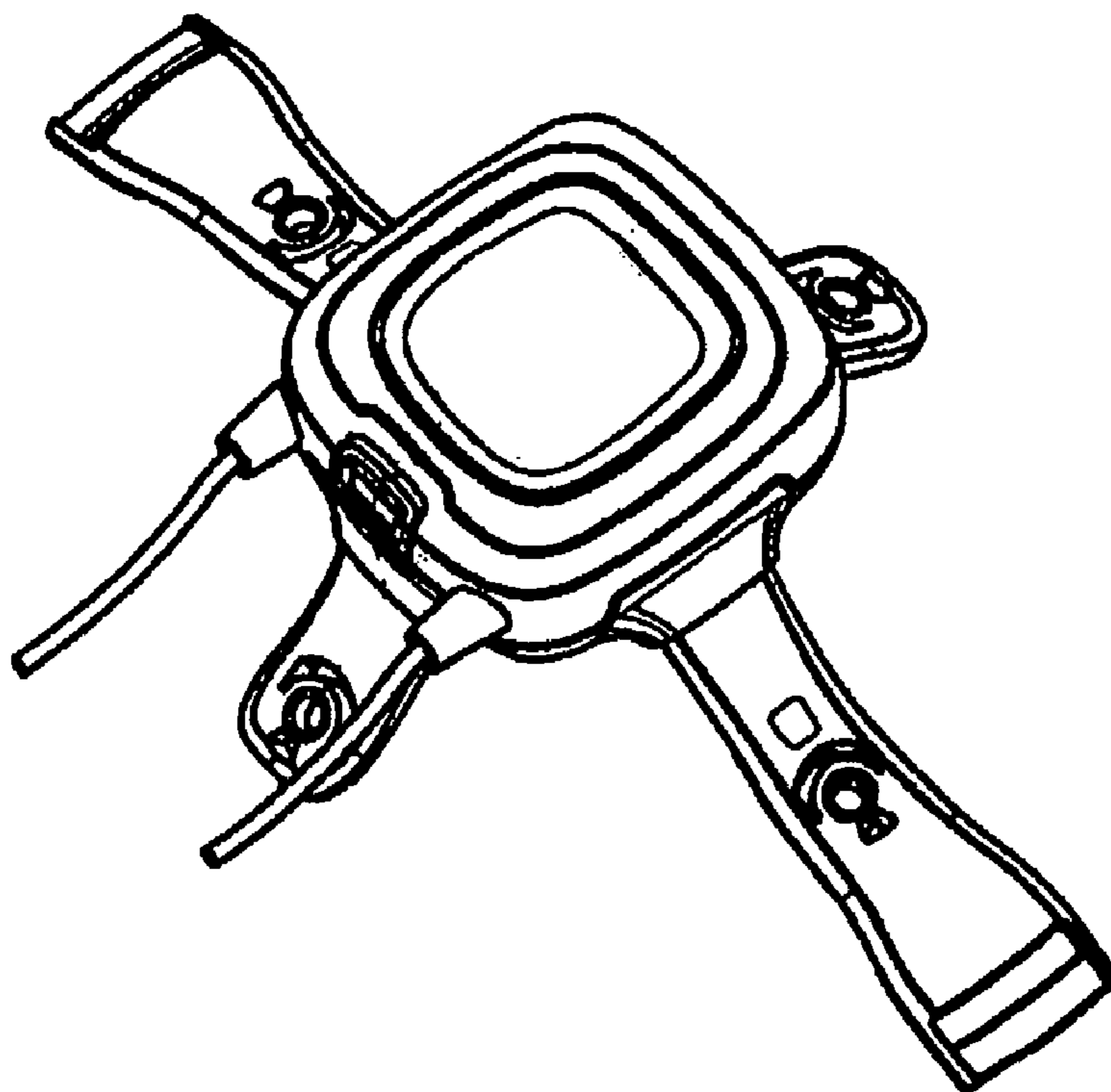
The right side view is the mirror image of the left side view.
The rear view is the mirror image of the front view except
that the upper part is as shown in FIG. 1

(56) **References Cited**

U.S. PATENT DOCUMENTS

5,928,141 A * 7/1999 Castelli 600/372

1 Claim, 2 Drawing Sheets



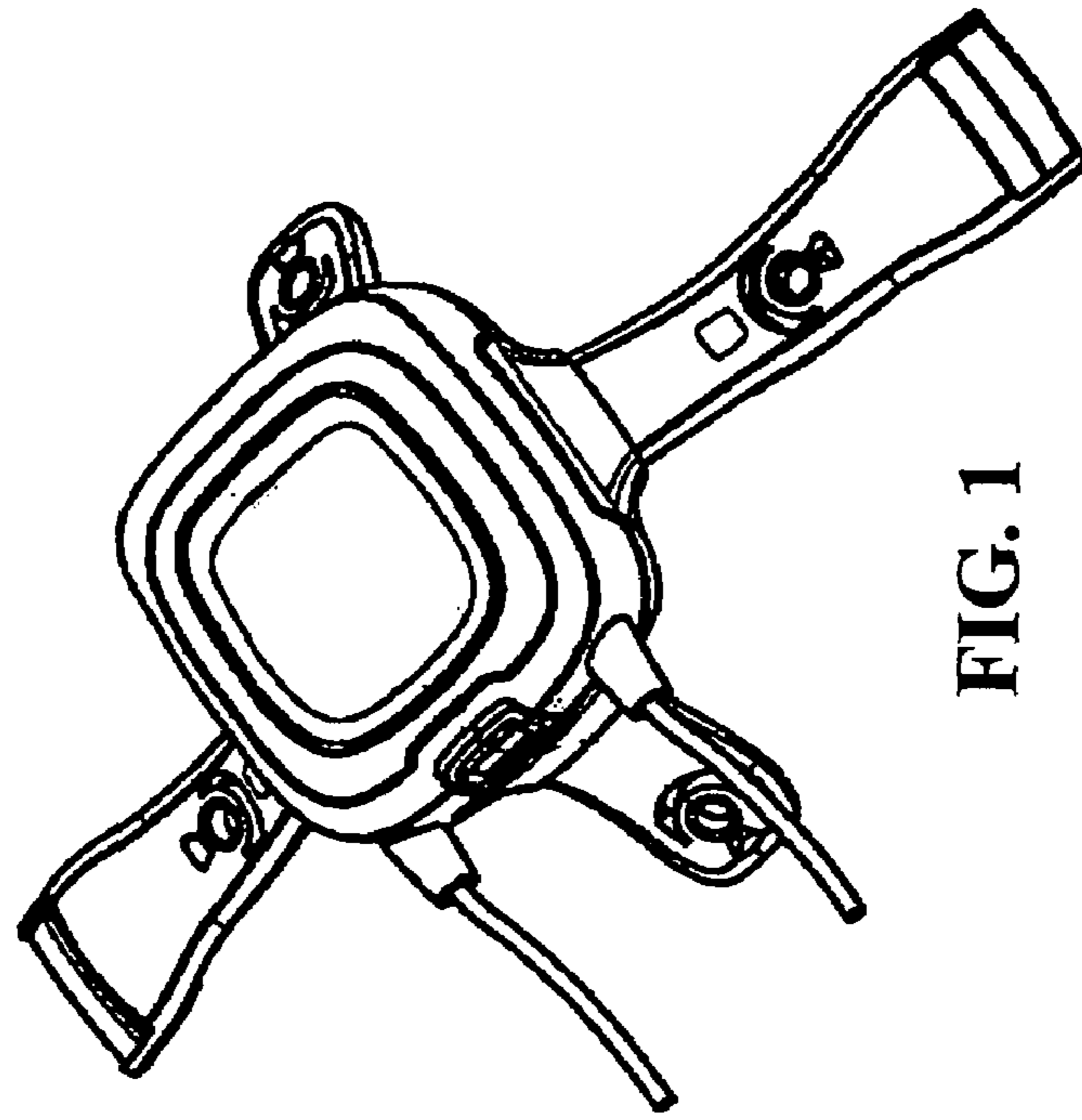


FIG. 1

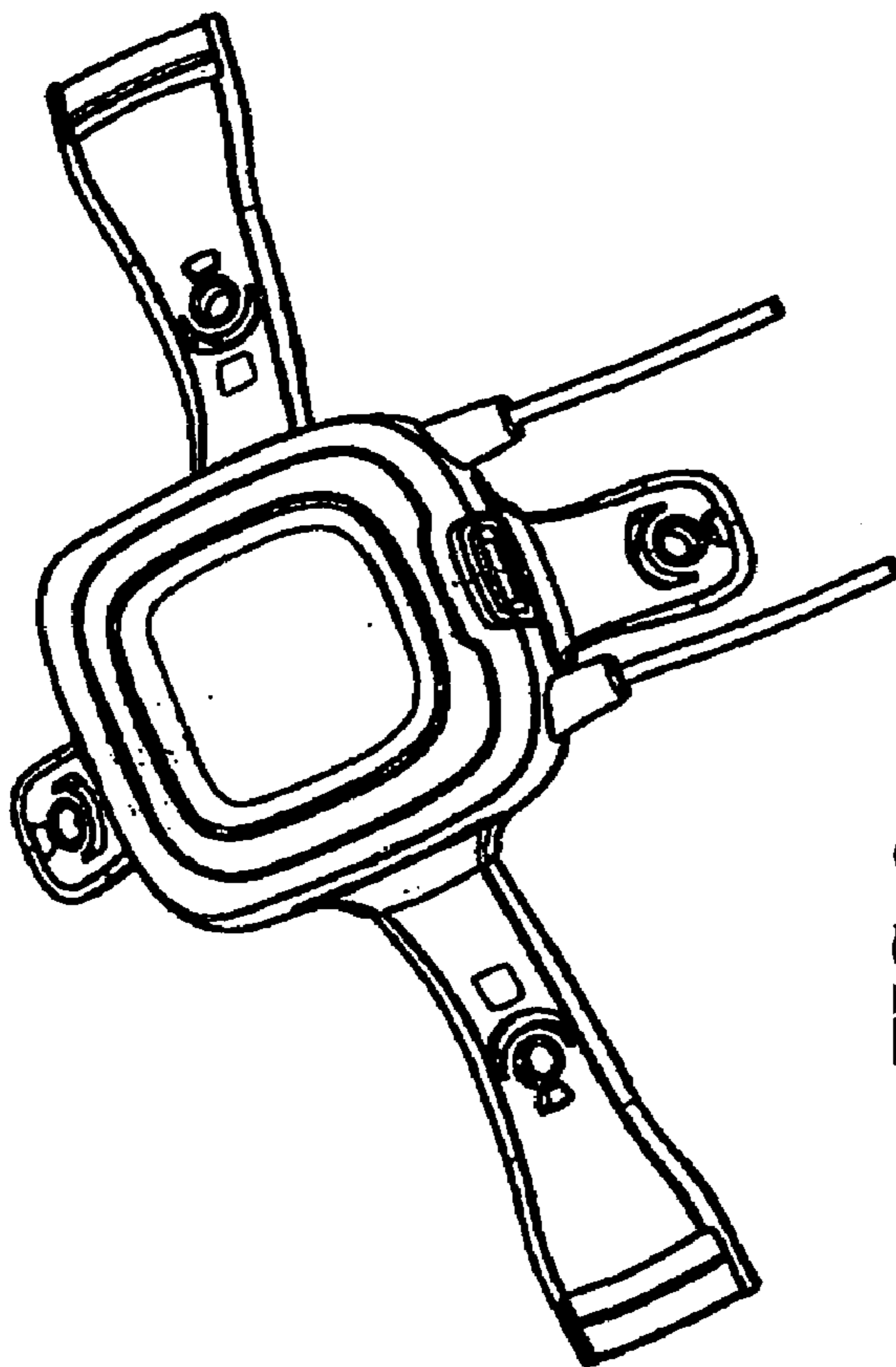


FIG. 2

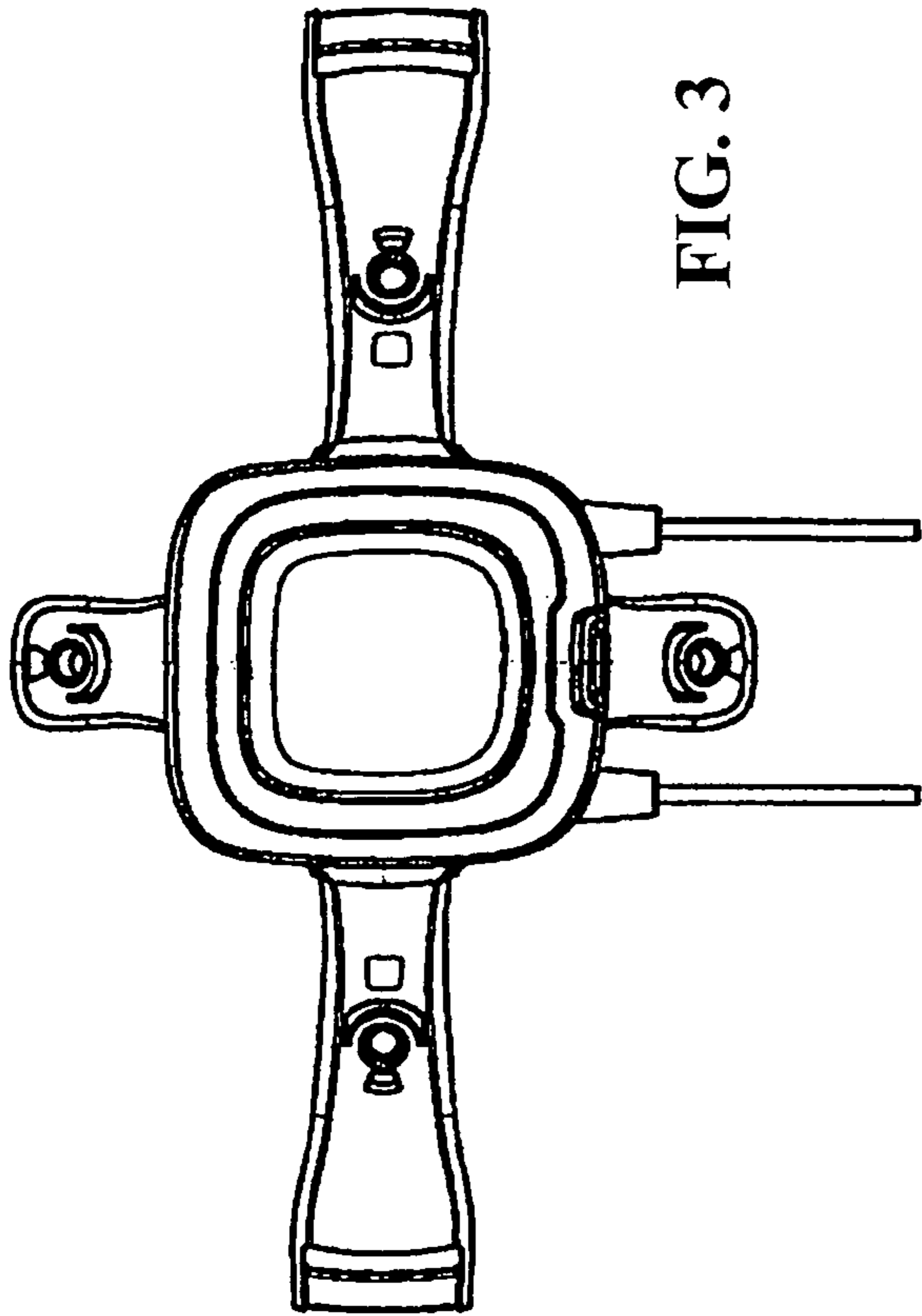


FIG. 3

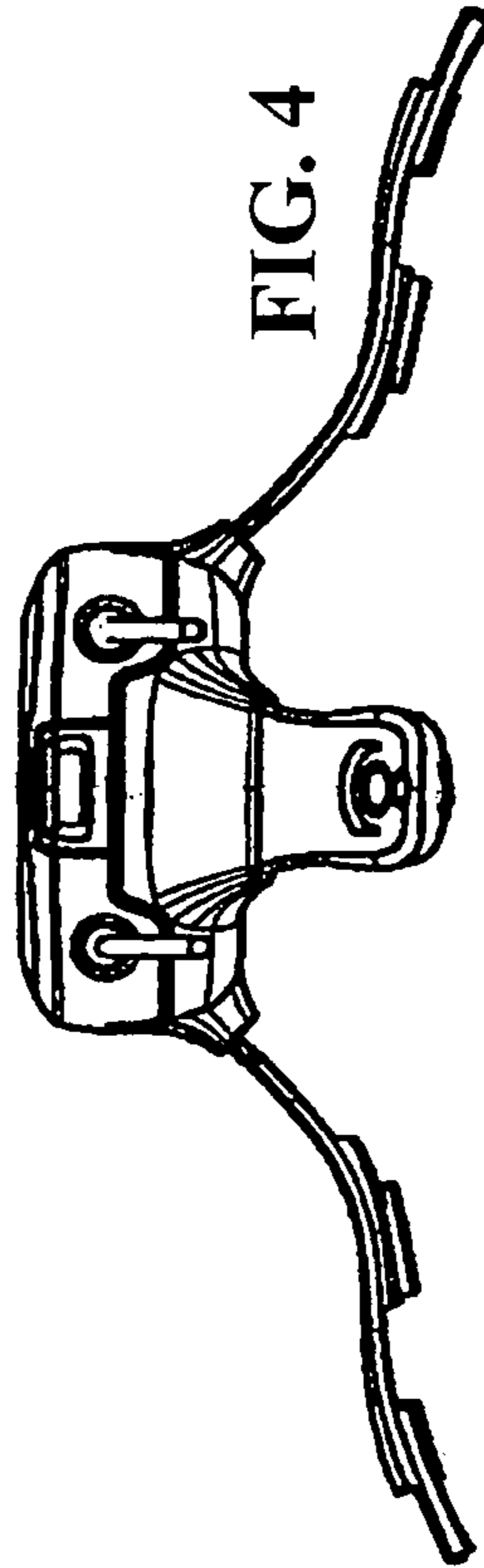


FIG. 4

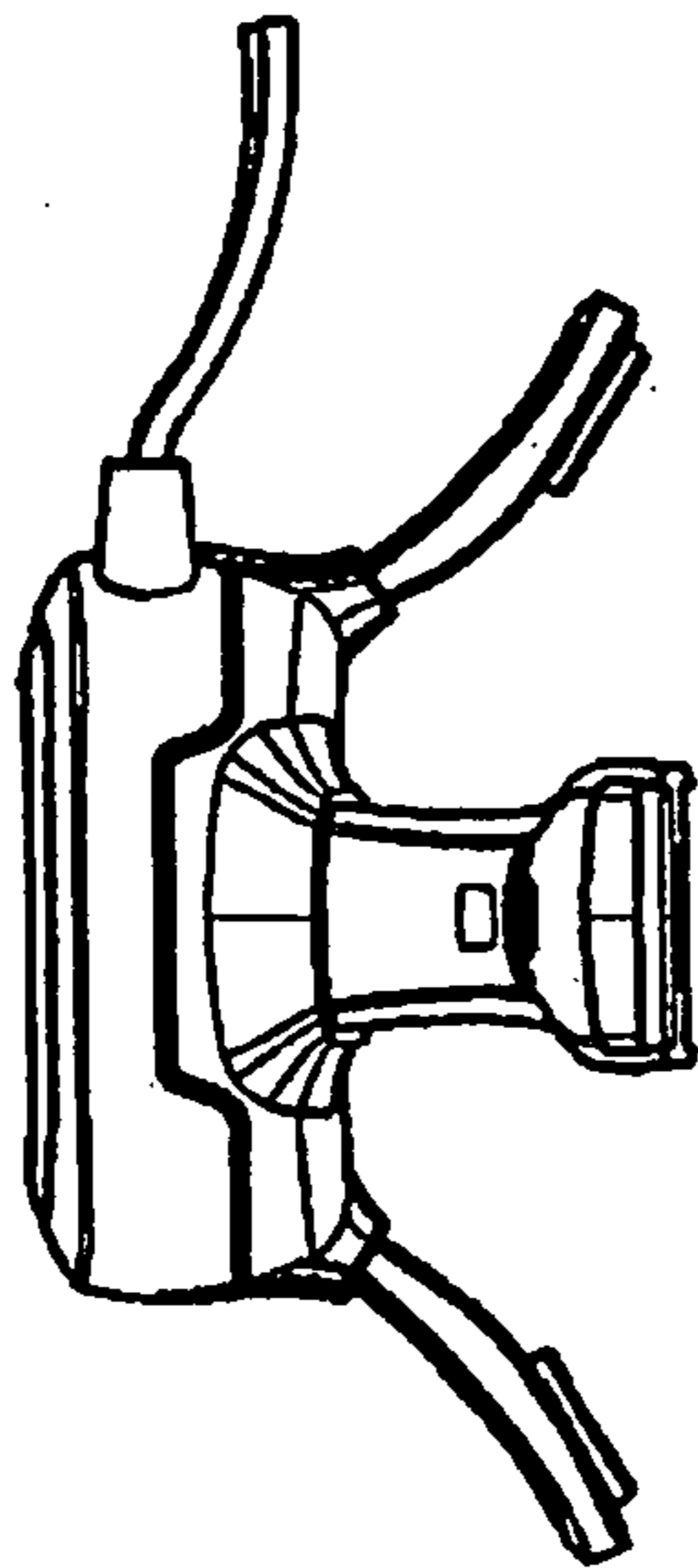


FIG. 5