



US00D565179S

(12) **United States Design Patent**  
**Kubo et al.**

(10) **Patent No.:** **US D565,179 S**  
(45) **Date of Patent:** **\*\* Mar. 25, 2008**

(54) **BONE IMPLANT**

(75) Inventors: **Shinichiro Kubo**, 21-4, Ikedadai,  
Kiyotake-cho, Miyazaki-gun,  
Miyazaki-ken (JP); **Hirofumi**  
**Matsuzawa**, Fukuoka-ken (JP); **Yoshie**  
**Tominaga**, Saitama-ken (JP); **Keita**  
**Abe**, Tokyo (JP)

(73) Assignees: **PENTAX Corporation**, Tokyo (JP);  
**Shinichiro Kubo**, Miyazaki-ken (JP)

(\*\*) Term: **14 Years**

(21) Appl. No.: **29/244,717**

(22) Filed: **Dec. 14, 2005**

(30) **Foreign Application Priority Data**

Jun. 16, 2005 (JP) ..... 2005-017547  
Jun. 16, 2005 (JP) ..... 2005-017551  
Jun. 16, 2005 (JP) ..... 2005-017552  
Jun. 16, 2005 (JP) ..... 2005-017553

(51) **LOC (8) Cl.** ..... **24-03**

(52) **U.S. Cl.** ..... **D24/155**

(58) **Field of Classification Search** ..... D24/155-157,  
D24/133, 107; 623/1.13-1.17, 17.16, 44,  
623/16.11, 23.51, 17.11; 604/1.02, 1.03;  
433/141.2, 121; 81/119

See application file for complete search history.

(56) **References Cited**

**U.S. PATENT DOCUMENTS**

D248,771 S \* 8/1978 Groth et al. .... D24/155  
6,045,580 A \* 4/2000 Scarborough et al. ... 623/17.11  
6,270,528 B1 \* 8/2001 McKay ..... 623/17.11  
6,652,592 B1 \* 11/2003 Grooms et al. .... 623/23.51  
D486,912 S \* 2/2004 Schulter et al. .... D24/156  
6,706,067 B2 \* 3/2004 Shimp et al. .... 623/17.11  
6,752,835 B2 \* 6/2004 Shen ..... 623/44  
6,761,739 B2 \* 7/2004 Shepard ..... 623/17.16  
D497,274 S \* 10/2004 Hogle et al. .... D6/500  
D497,993 S \* 11/2004 Dixon et al. .... D24/155

6,855,167 B2 \* 2/2005 Shimp et al. .... 623/17.11  
D503,801 S \* 4/2005 Jackson ..... D24/155  
6,902,578 B1 \* 6/2005 Anderson et al. .... 623/16.11  
6,984,245 B2 \* 1/2006 McGahan et al. .... 623/17.11  
6,989,030 B1 \* 1/2006 Ohgushi ..... 623/16.11  
7,087,090 B2 \* 8/2006 Andrysek et al. .... 623/44  
7,087,091 B1 \* 8/2006 Chen ..... 623/44  
D535,743 S \* 1/2007 Williams ..... D24/133  
7,195,643 B2 \* 3/2007 Jackson ..... 623/17.11  
7,201,775 B2 \* 4/2007 Gorenssek et al. .... 623/17.11

**FOREIGN PATENT DOCUMENTS**

JP 807678 2/1991  
JP 857698 1/1993  
JP 1050005 9/1999  
JP P2001-149392 A 6/2001

**OTHER PUBLICATIONS**

Catalogue "Pentax Apaceram" issued Nov. 2005.  
Shinichiro Kubo, et al., "The Biomechanical Effects of Multilevel  
Posterior Foraminotomy and Foraminotomy with Double-Door  
Laminoplasty", Journal of Spinal Disorders & Techniques, vol. 15,  
No. 6, pp. 477-485 (2002).  
Shinichiro Kubo, et al., "Biomechanical Evaluation of Cervical  
Double-Door Laminoplasty Using Hydroxyapatite Spacer", SPINE,  
vol. 28, No. 3, pp. 227-234 (2003).

\* cited by examiner

*Primary Examiner*—Charles A. Rademaker  
(74) *Attorney, Agent, or Firm*—Sughrue Mion, PLLC

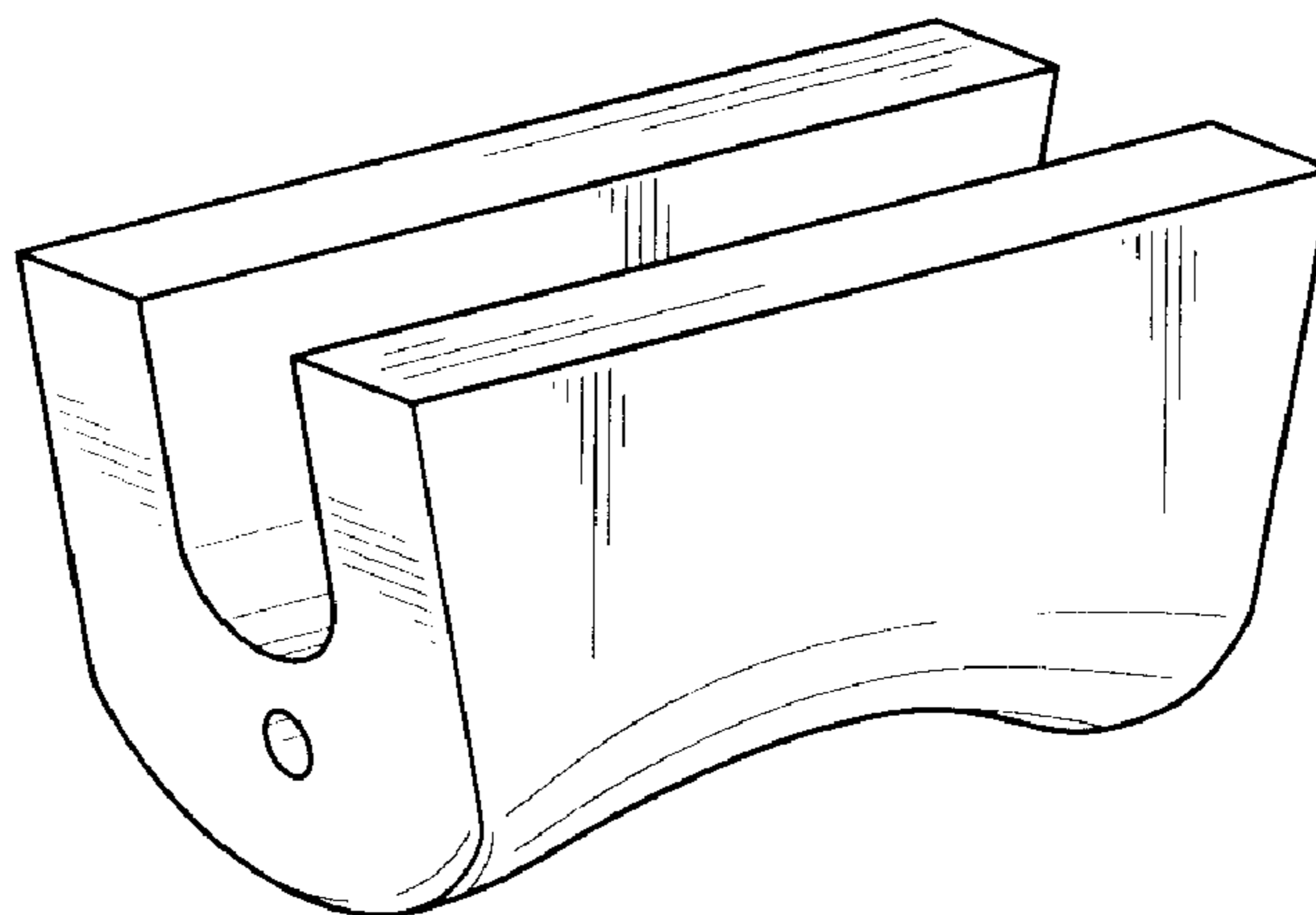
(57) **CLAIM**

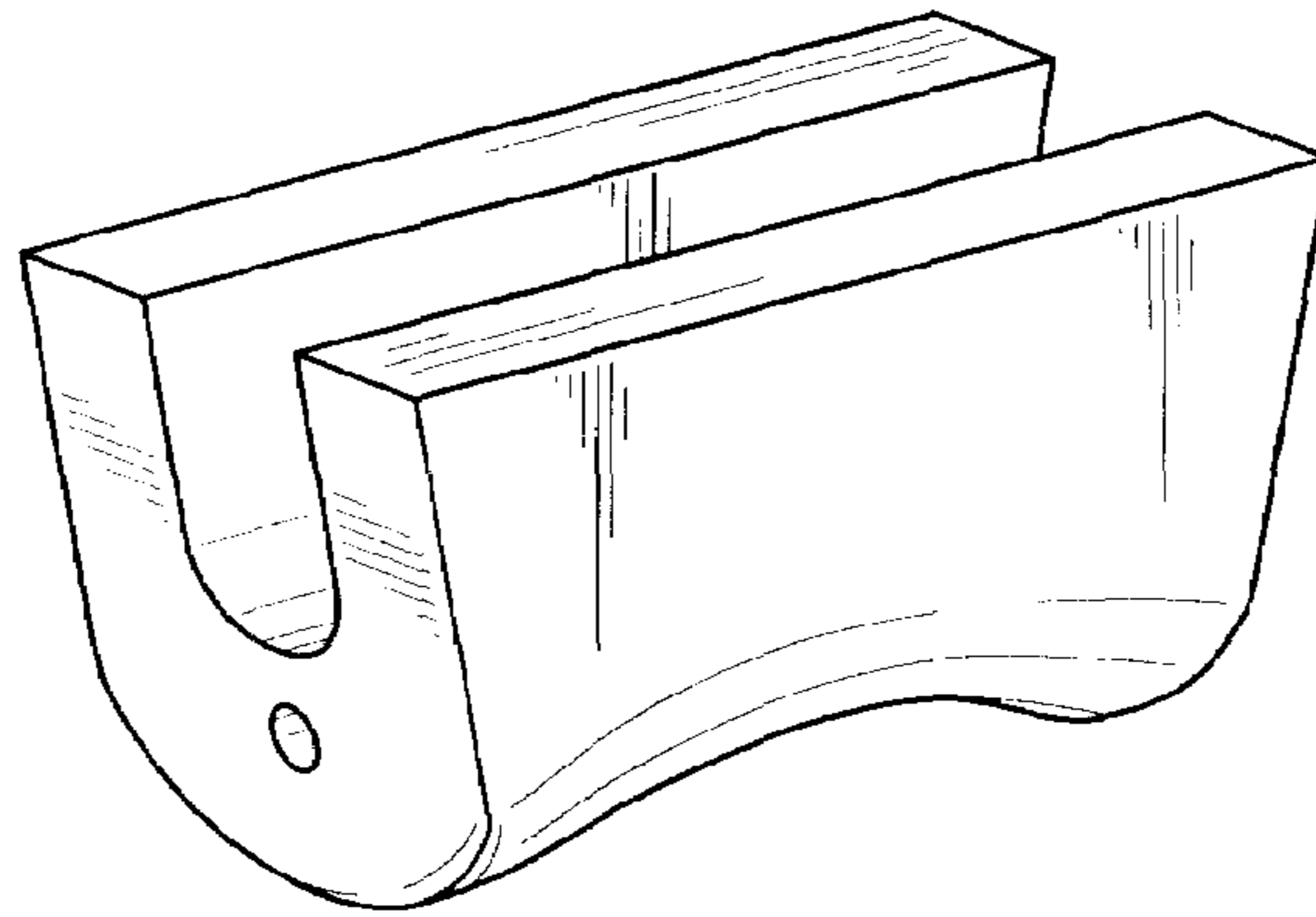
The ornamental design for bone implant, as shown and  
described.

**DESCRIPTION**

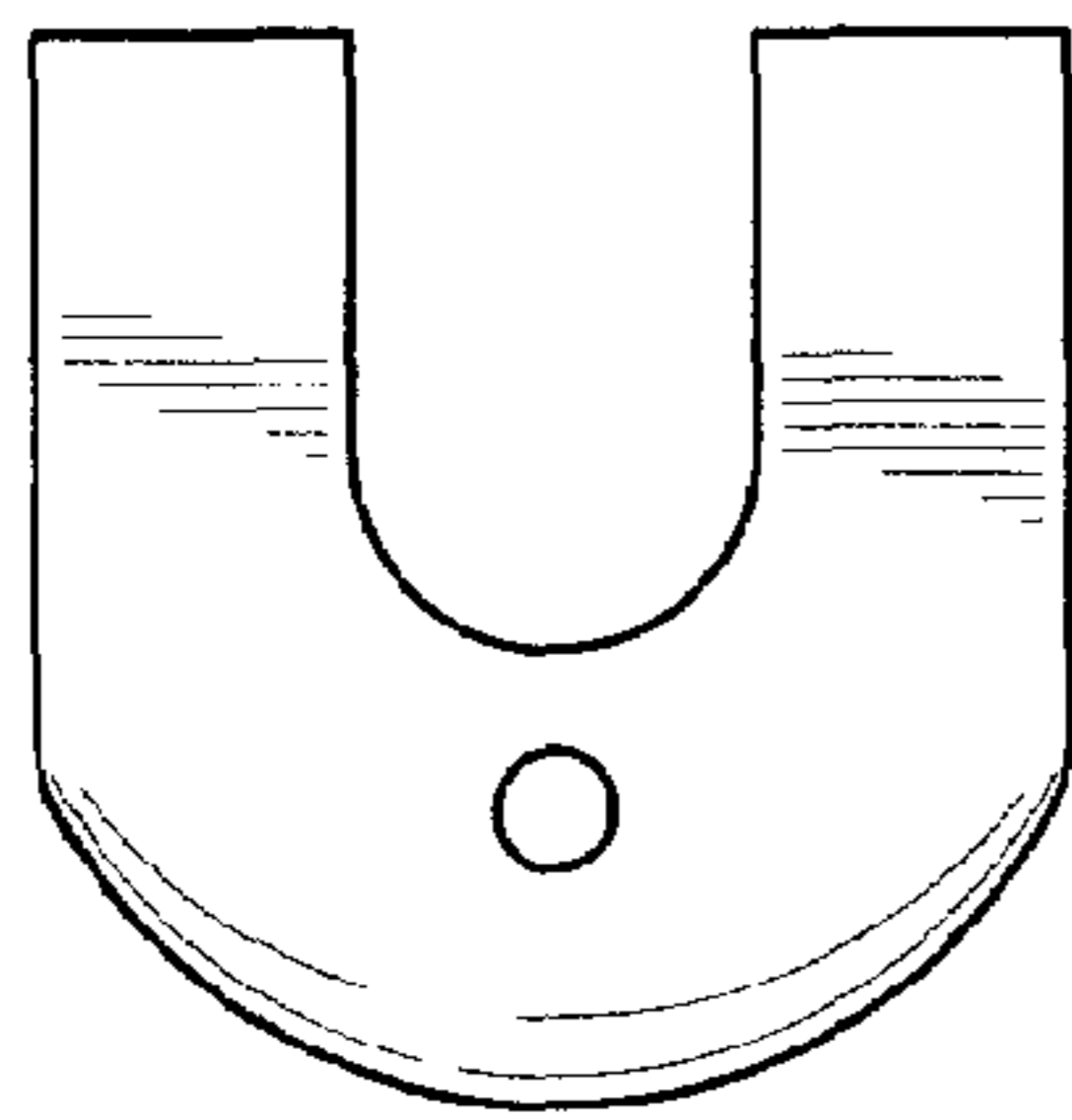
FIG. 1 is a perspective view of the front, top and right side  
of a bone implant showing our new design;  
FIG. 2 is a front view thereof;  
FIG. 3 is a right side view thereof;  
FIG. 4 is a top plan view thereof; and,  
FIG. 5 is a bottom view thereof.

**1 Claim, 1 Drawing Sheet**

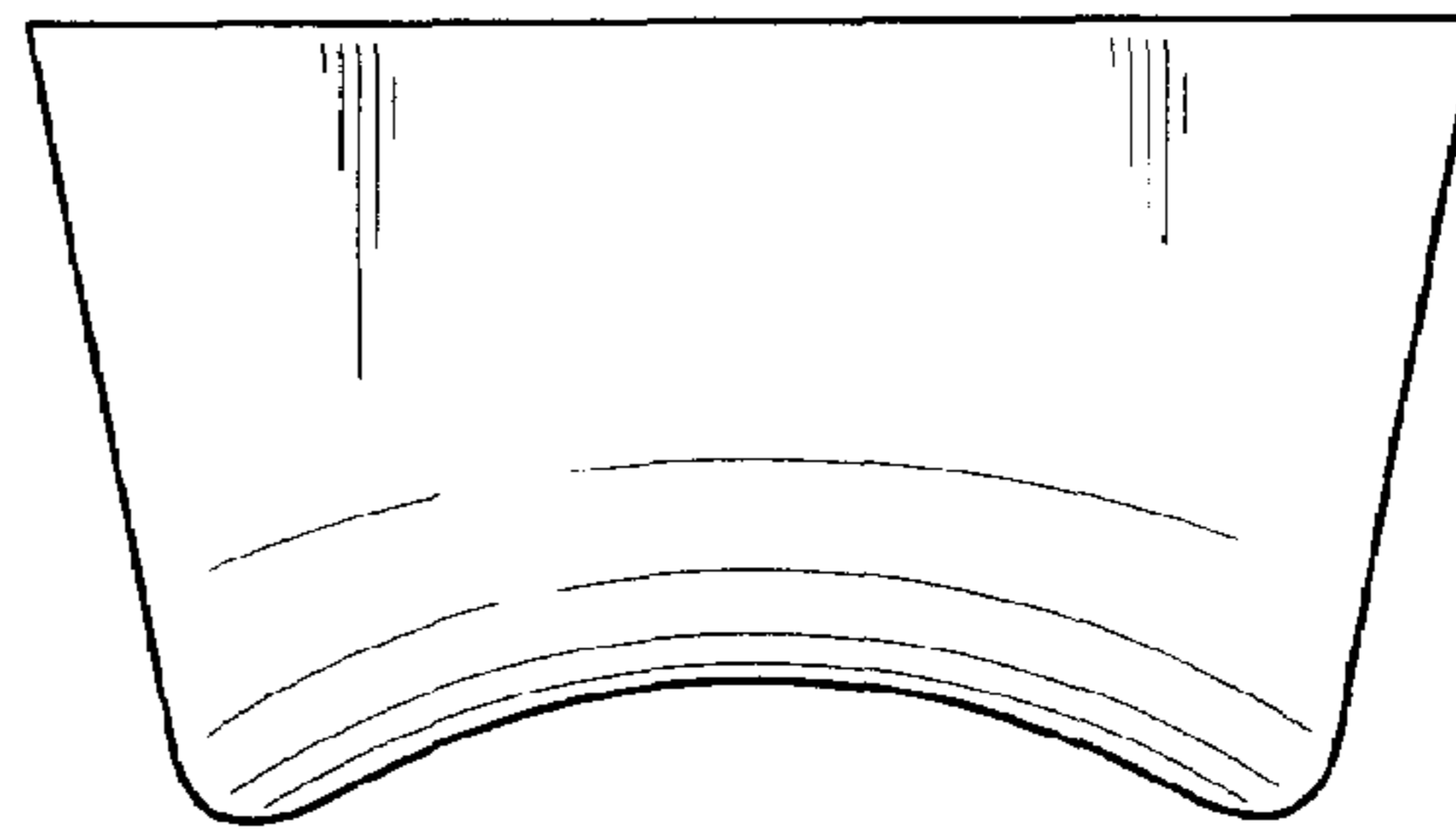




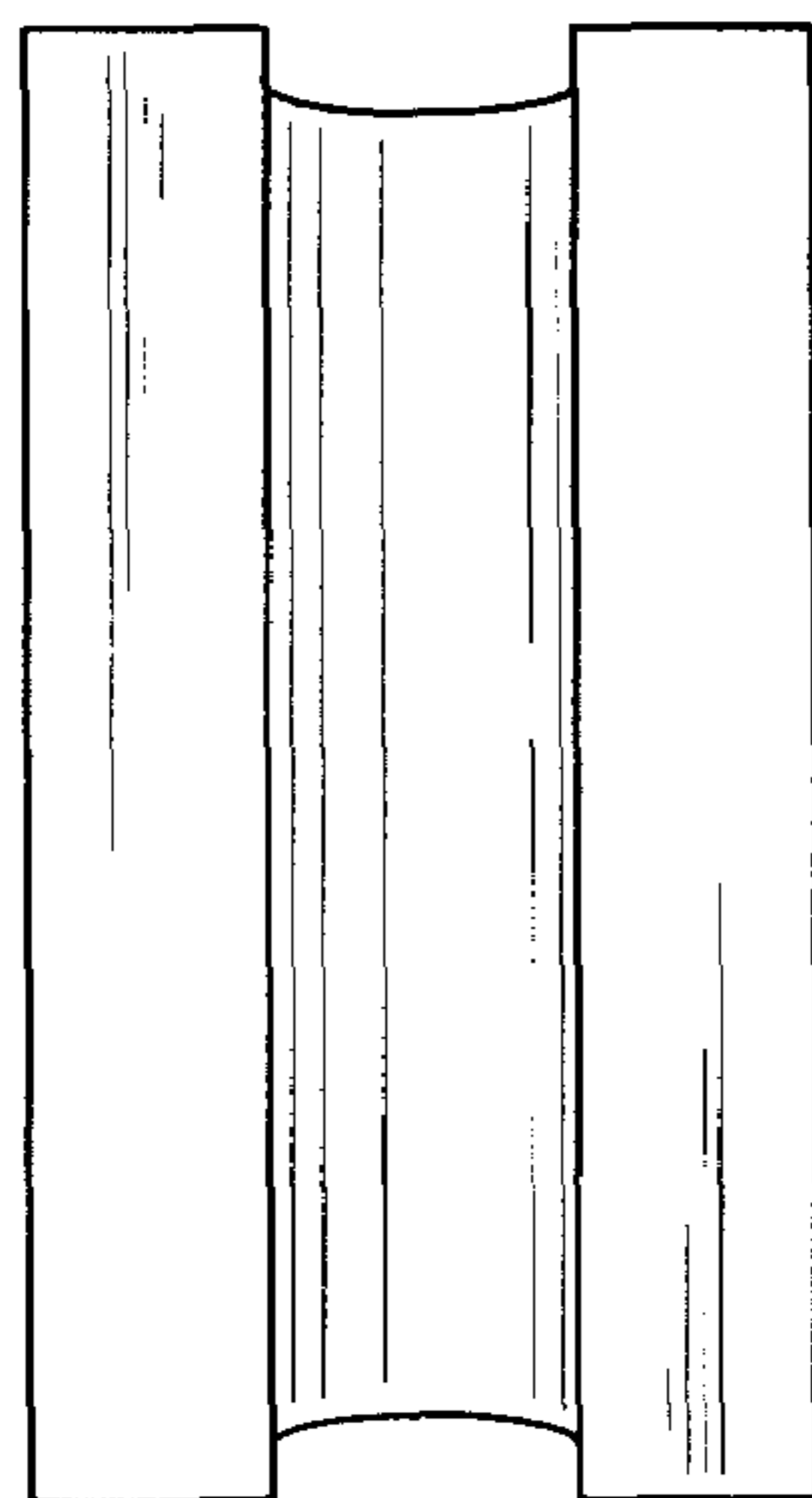
*FIG. 1*



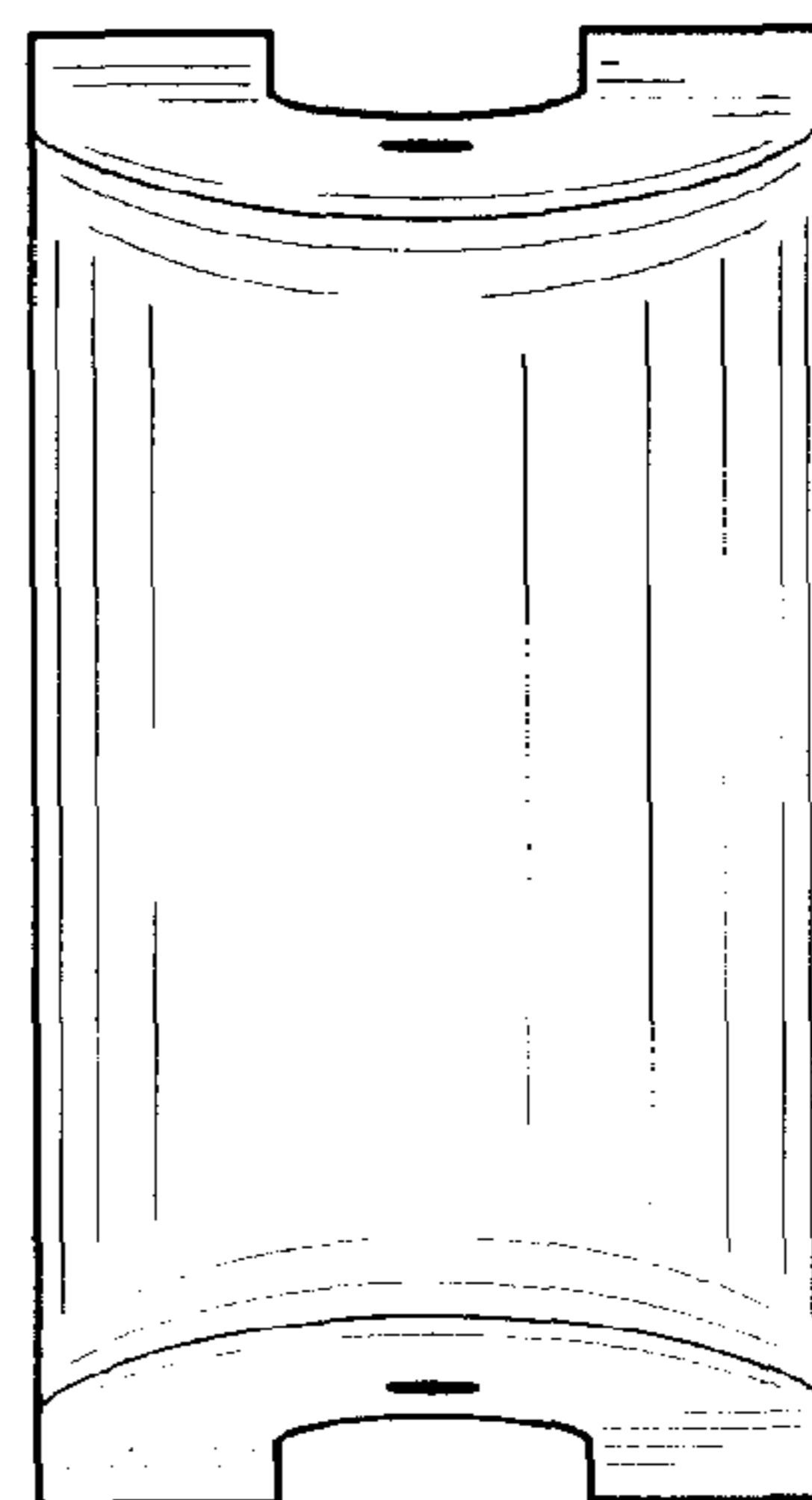
*FIG. 2*



*FIG. 3*



*FIG. 4*



*FIG. 5*