



US00D565177S

(12) **United States Design Patent**
Locke et al.

(10) **Patent No.:** **US D565,177 S**
(45) **Date of Patent:** **** Mar. 25, 2008**

(54) **REDUCED PRESSURE TREATMENT APPARATUS**

(75) Inventors: **Christopher Brian Locke**,
Bournemouth (GB); **Aidan Marcus Tout**,
Nomansland (GB)

(73) Assignee: **KCI Licensing, Inc.**, San Antonio, TX
(US)

(**) Term: **14 Years**

(21) Appl. No.: **29/285,597**

(22) Filed: **Apr. 2, 2007**

Related U.S. Application Data

(63) Continuation-in-part of application No. 29/285,584,
filed on Apr. 1, 2007.

(51) **LOC (8) Cl.** **24-02**

(52) **U.S. Cl.** **D24/111**

(58) **Field of Classification Search** D24/108,
D24/111, 186, 169, 121; 604/151-155, 131,
604/304, 289, 290, 73, 543

See application file for complete search history.

(56) **References Cited**

U.S. PATENT DOCUMENTS

D469,176 S * 1/2003 Hall et al. D24/111
D475,132 S * 5/2003 Randolph D24/108
7,128,735 B2 * 10/2006 Weston 604/543

D547,438 S * 7/2007 Lewis D24/108
2004/0006319 A1 * 1/2004 Lina et al. 604/304
2006/0129137 A1 * 6/2006 Lockwood et al. 604/543
2007/0016152 A1 * 1/2007 Karpowicz et al. 604/326

* cited by examiner

Primary Examiner—Ian Simmons

Assistant Examiner—Carissa C Fitts

(57) **CLAIM**

The ornamental design for a reduced pressure treatment apparatus, as shown and described.

DESCRIPTION

FIG. 1 is a right front perspective view of a reduced pressure treatment apparatus showing our new design;

FIG. 2 is a left front perspective view thereof;

FIG. 3 is a right rear perspective view thereof;

FIG. 4 is a left rear perspective view thereof;

FIG. 5 is a front view thereof;

FIG. 6 is a rear view thereof;

FIG. 7 is a side view thereof;

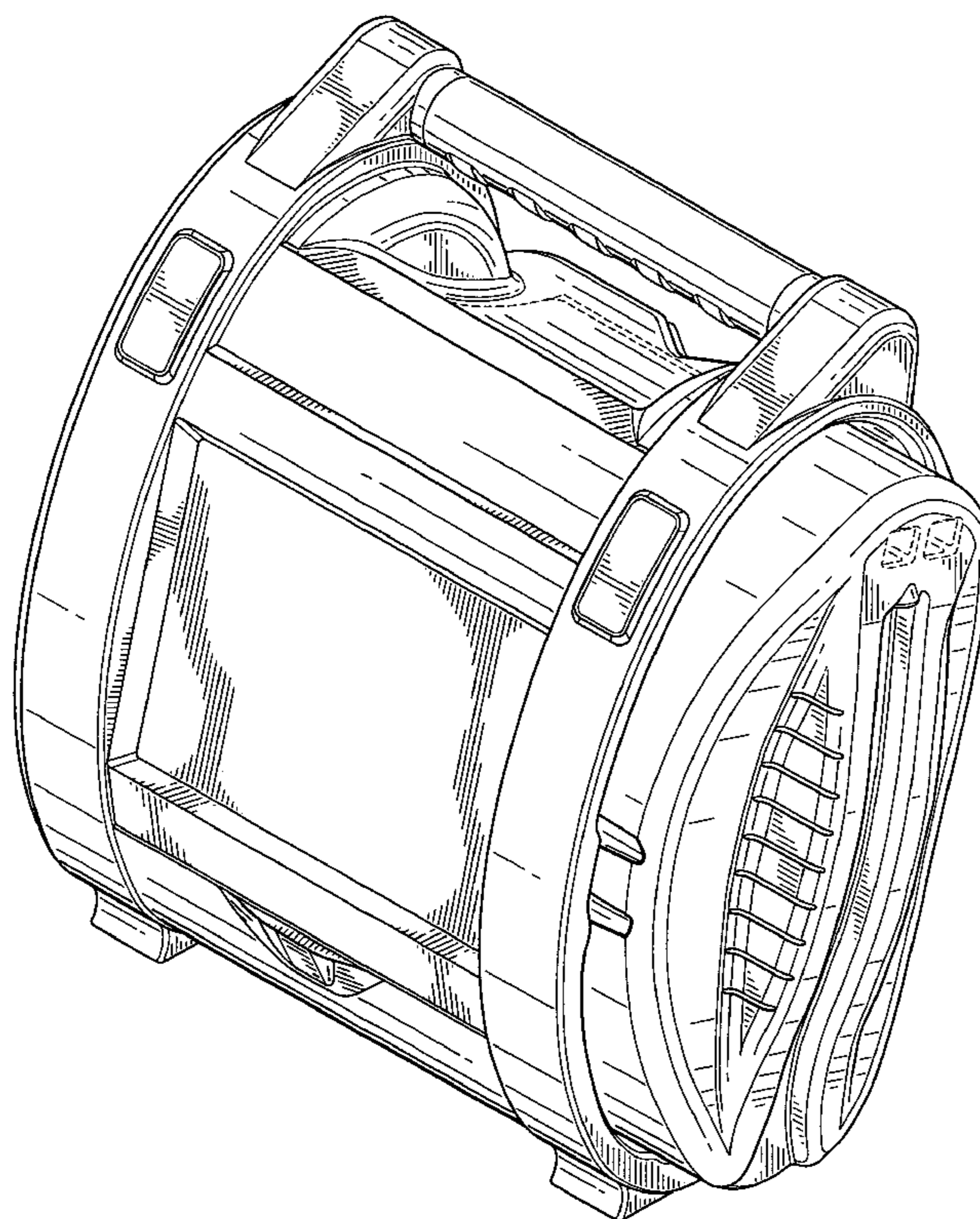
FIG. 8 is a second side view thereof;

FIG. 9 is a top view thereof; and,

FIG. 10 is a bottom view thereof.

The broken lines illustrated in the drawings are for illustrative purposes only and form no part of the claimed design.

1 Claim, 9 Drawing Sheets



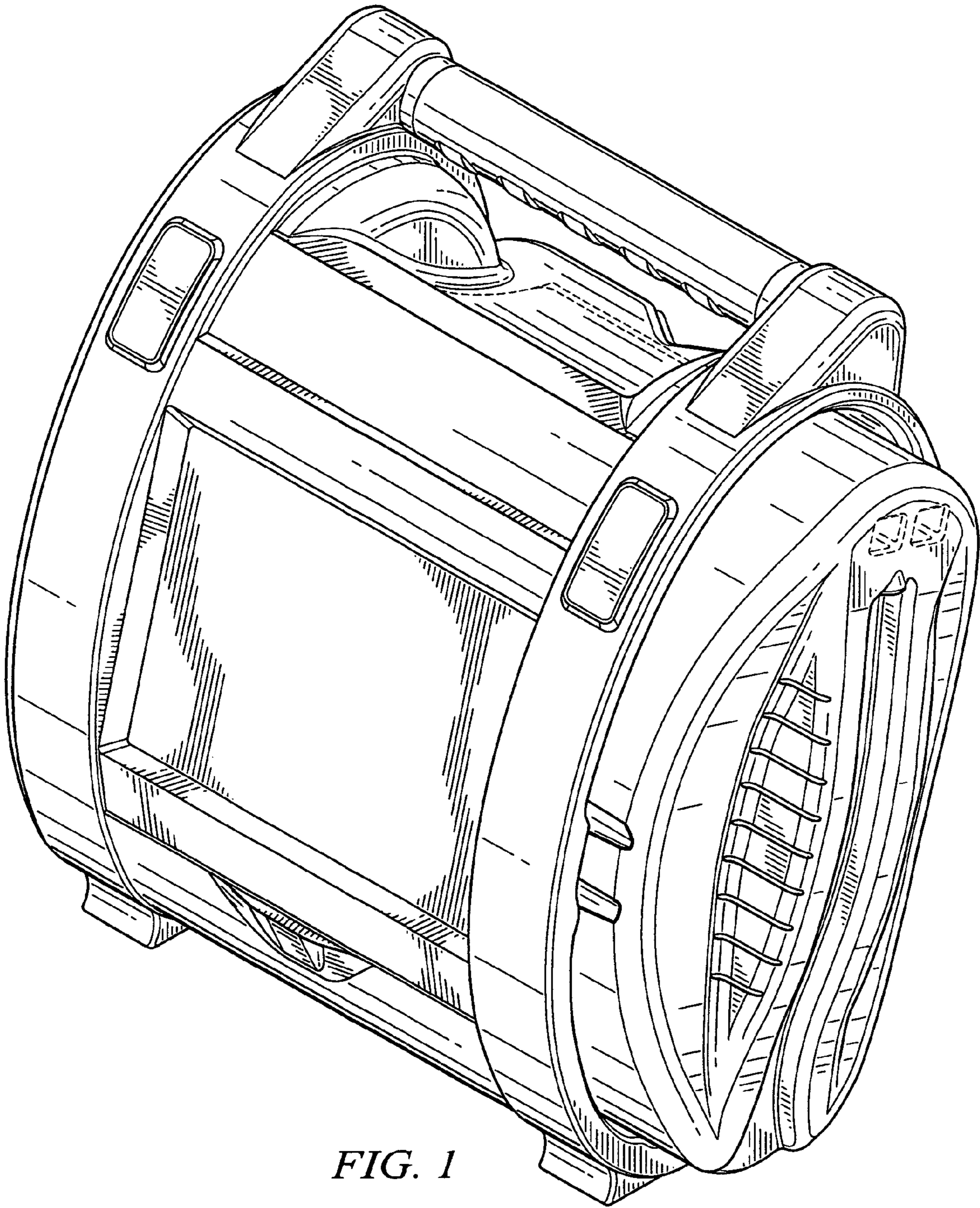


FIG. 1

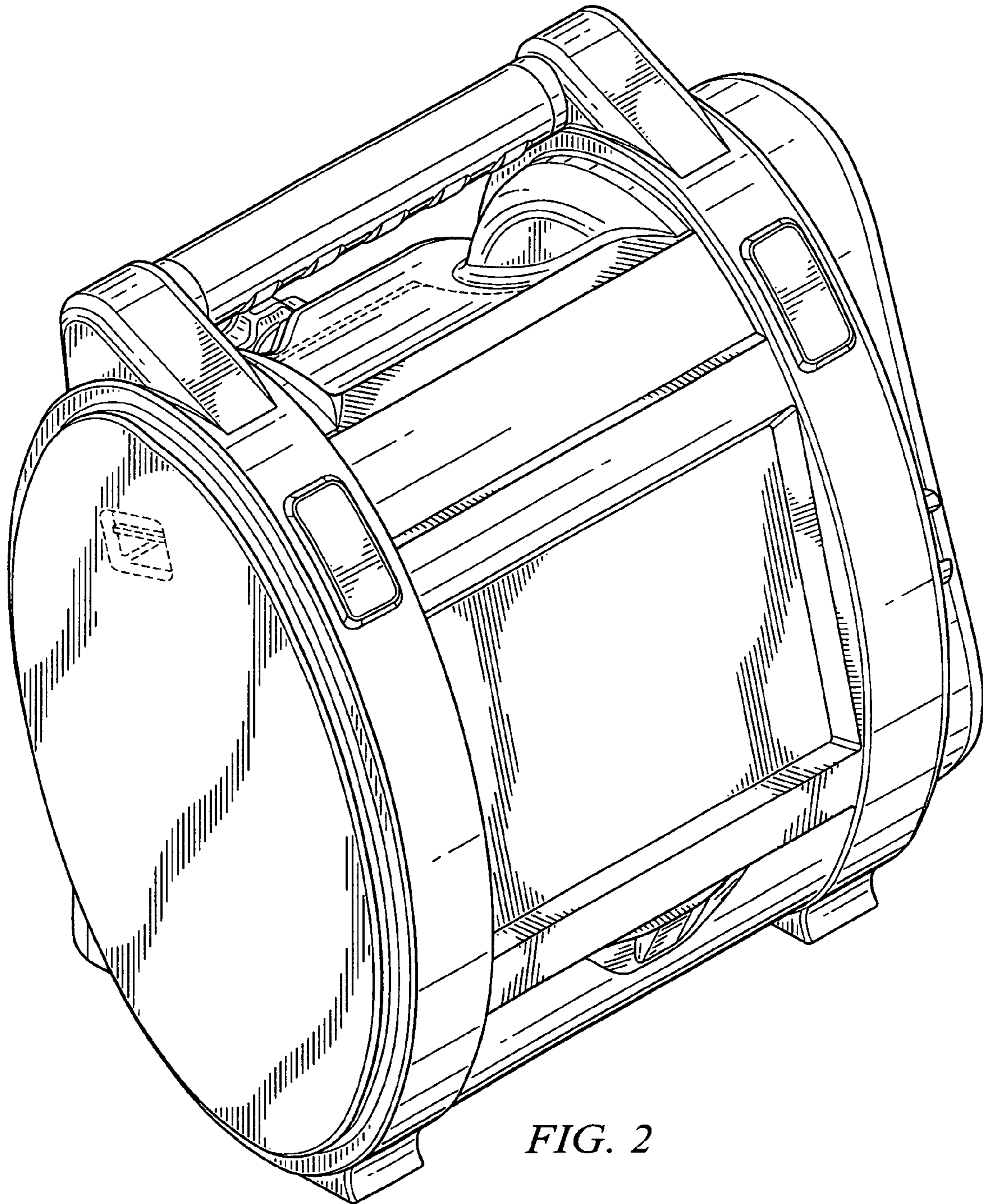


FIG. 2

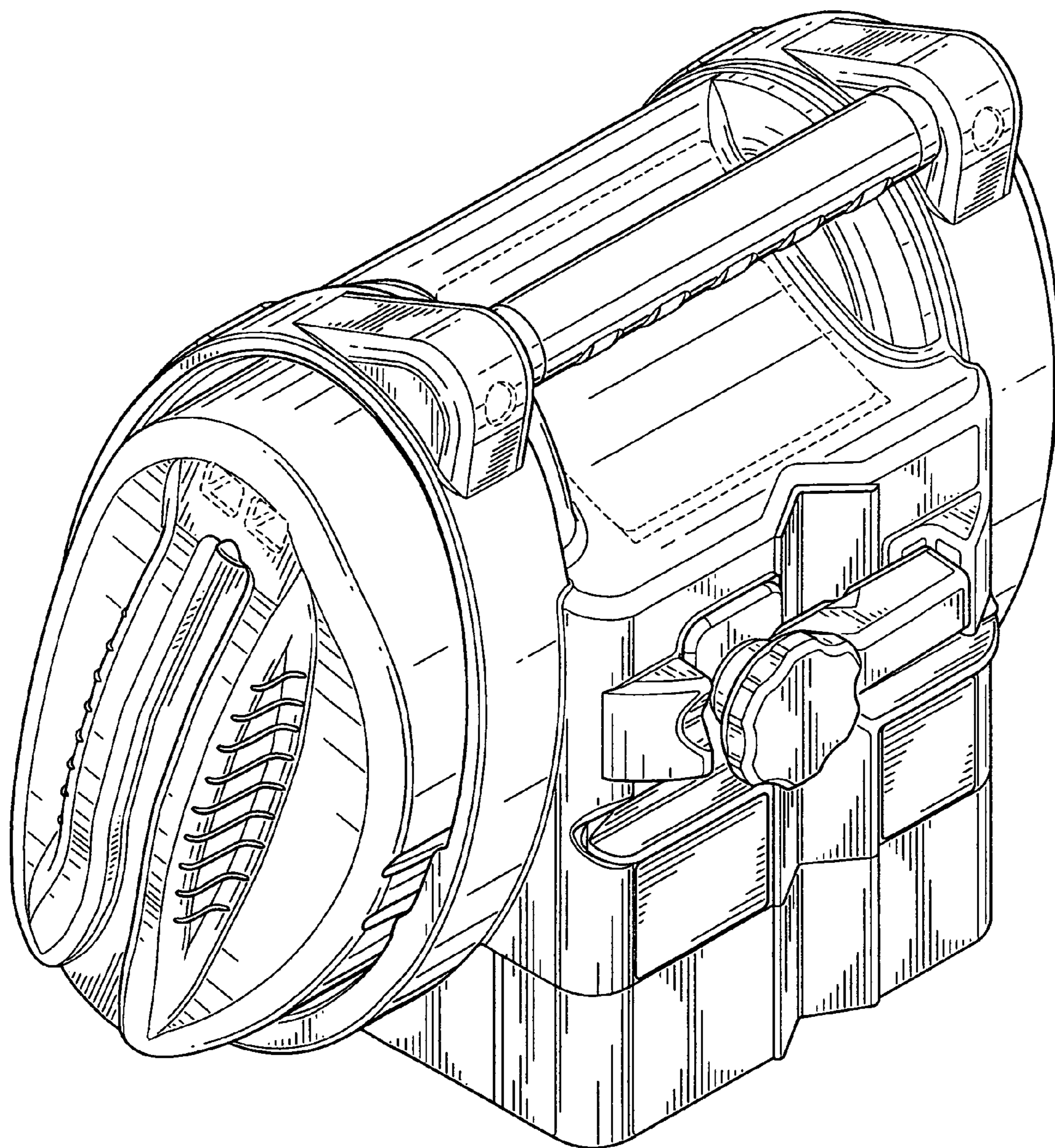


FIG. 3

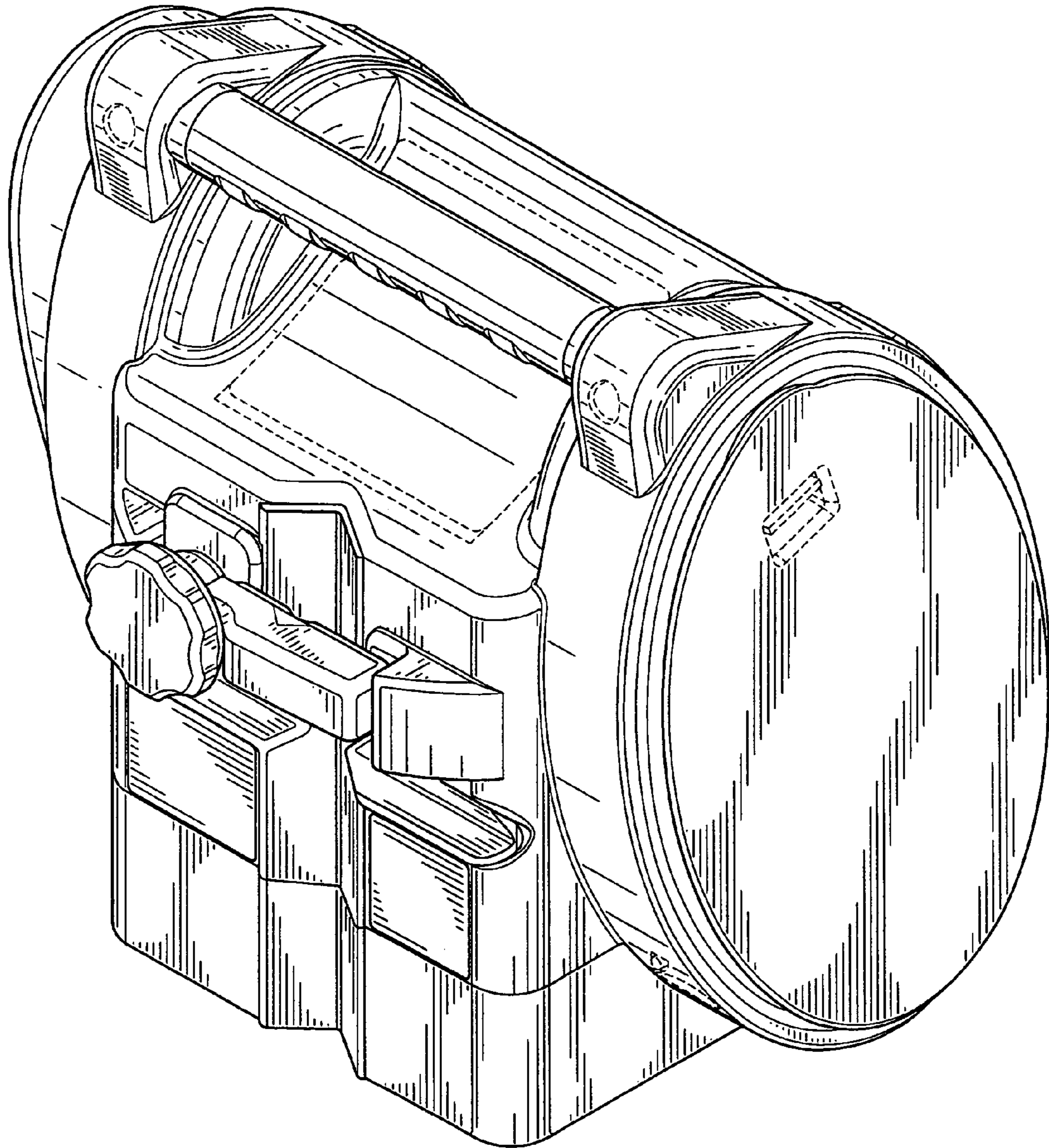


FIG. 4

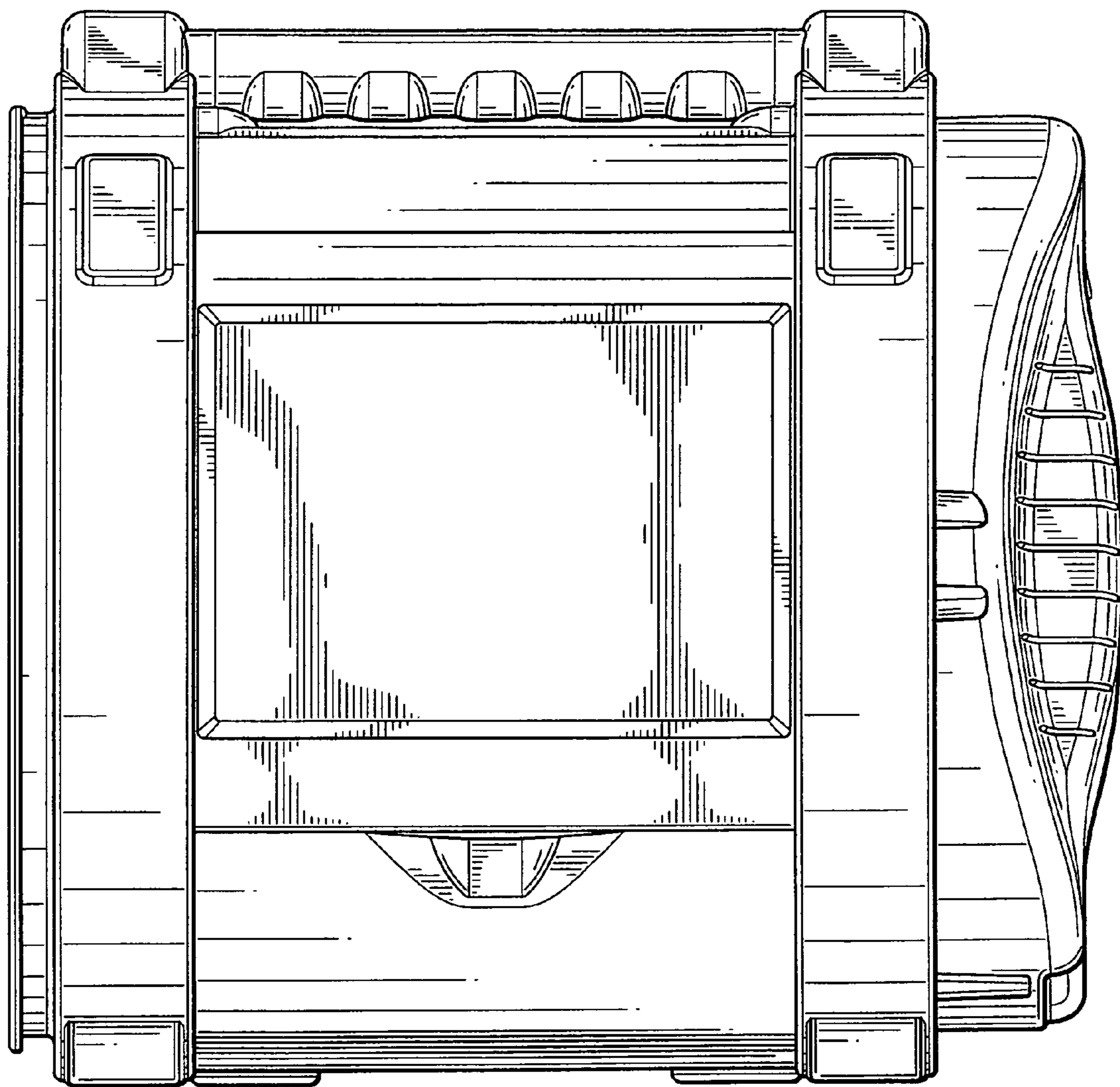


FIG. 5

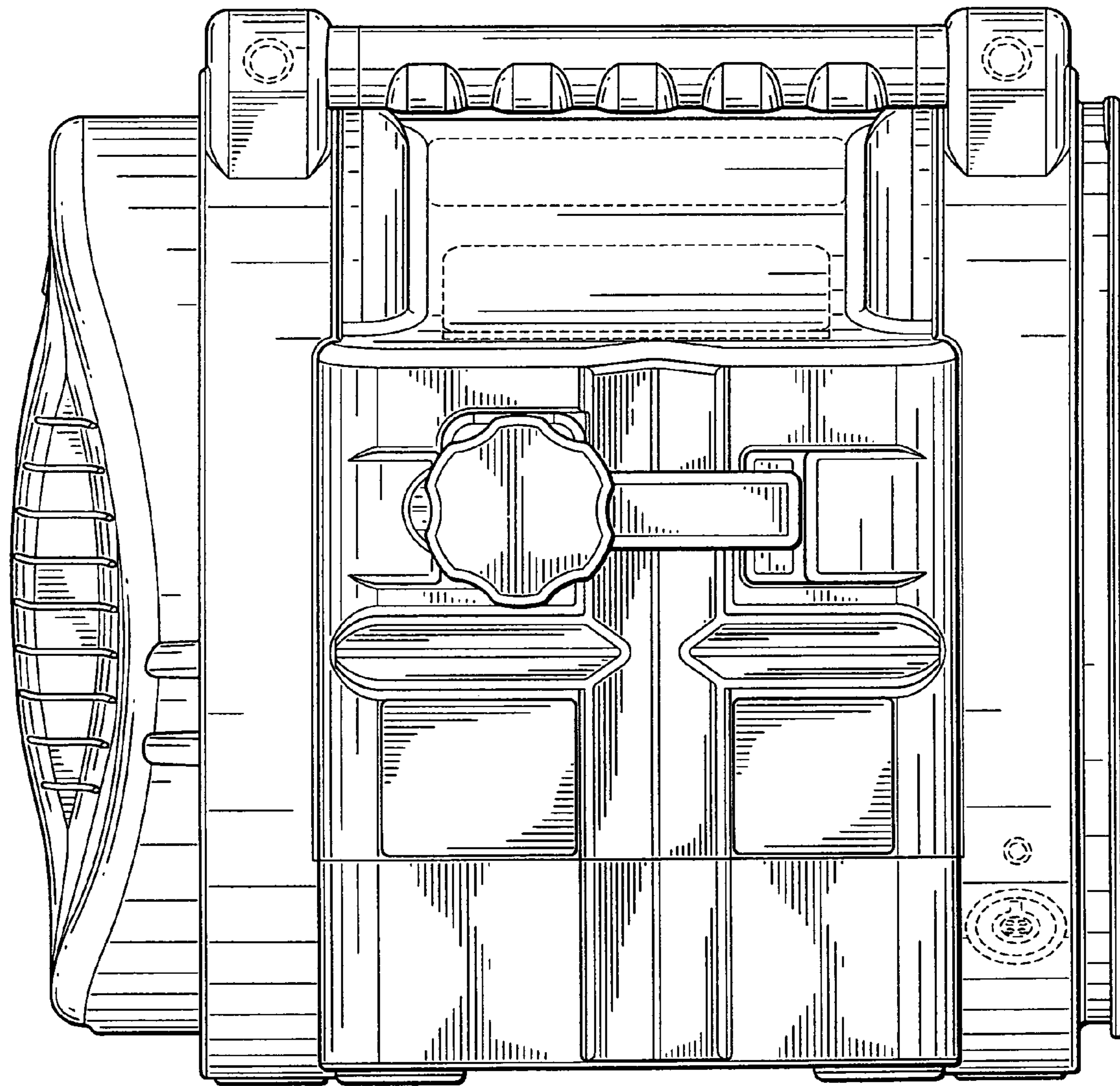


FIG. 6

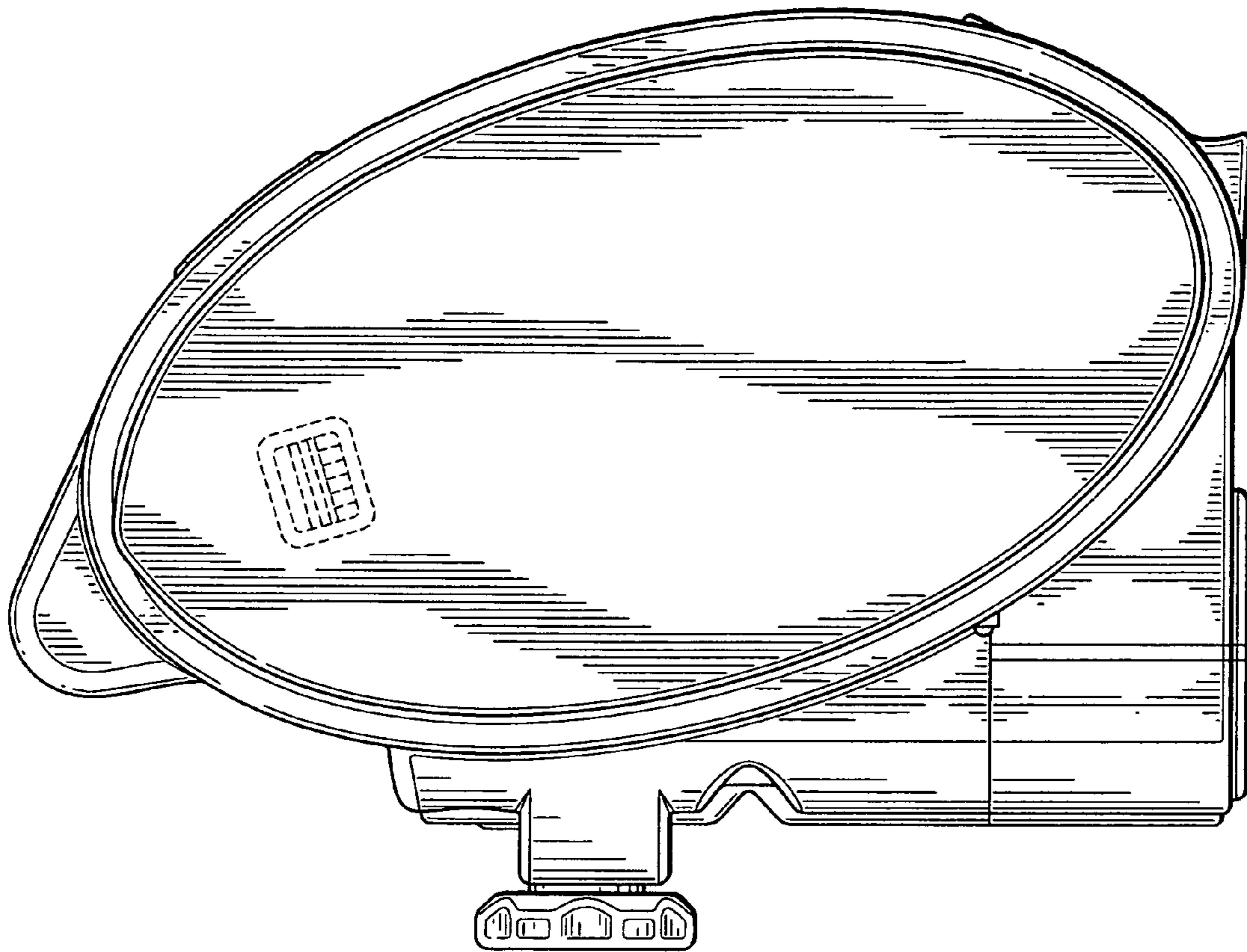


FIG. 8

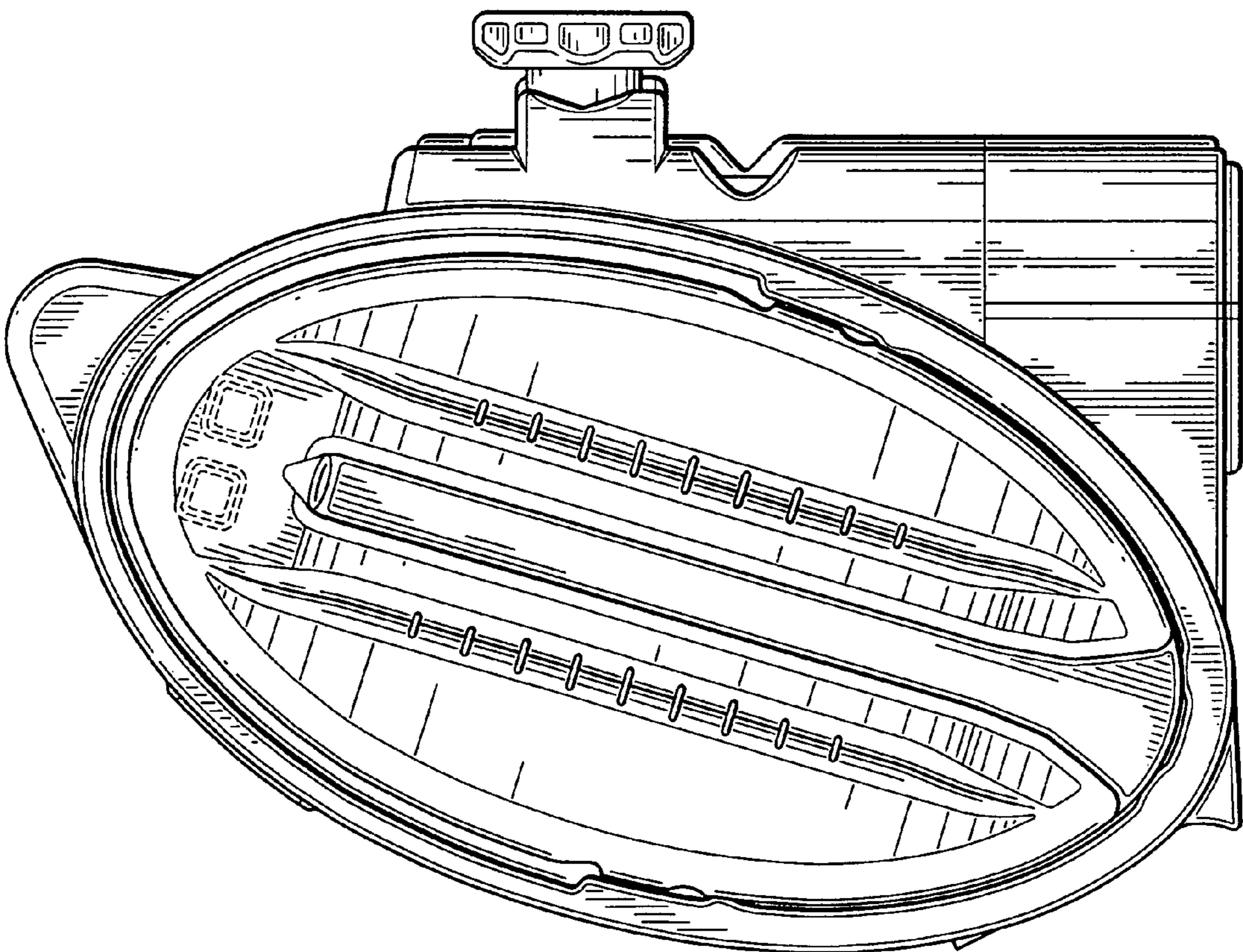


FIG. 7

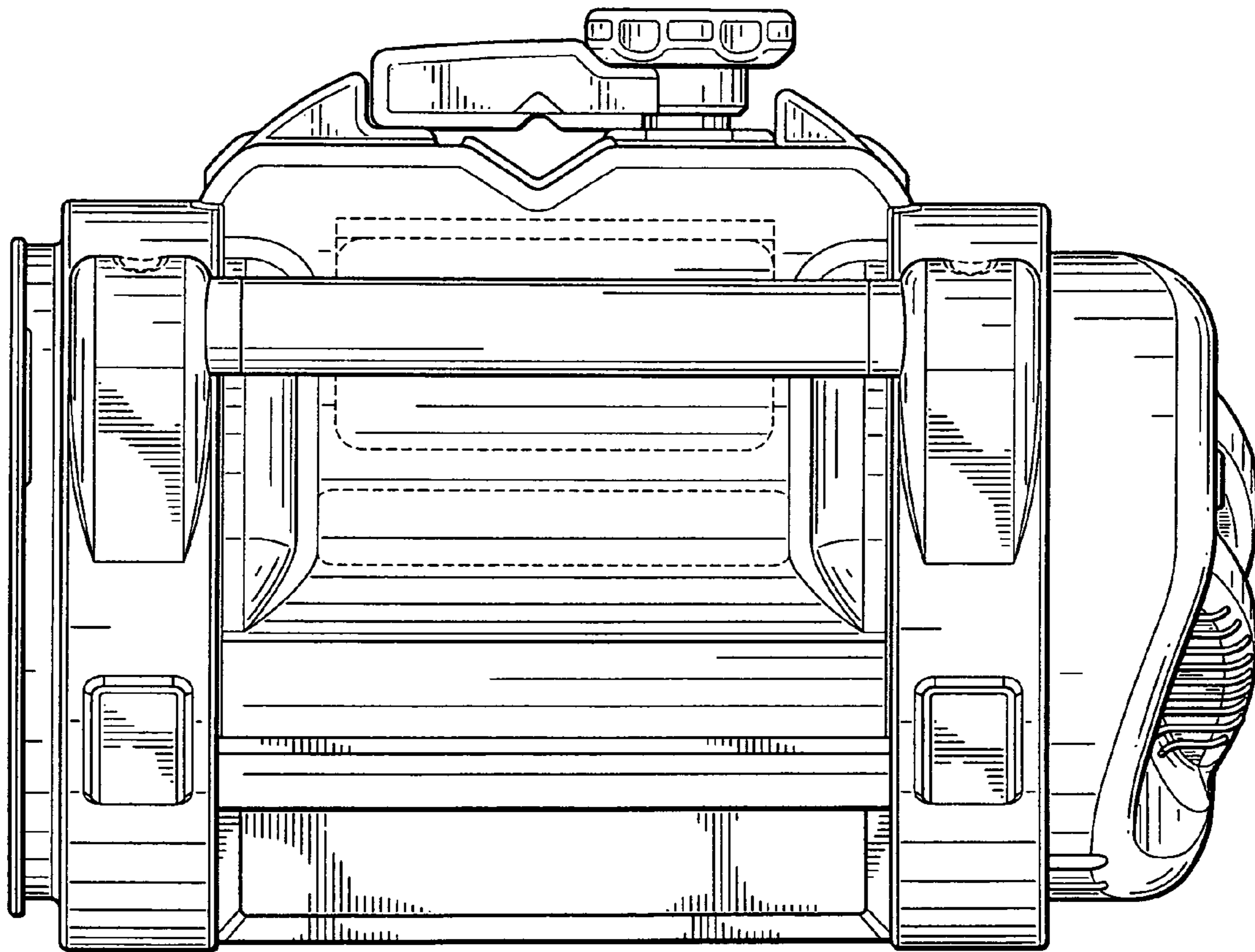


FIG. 9

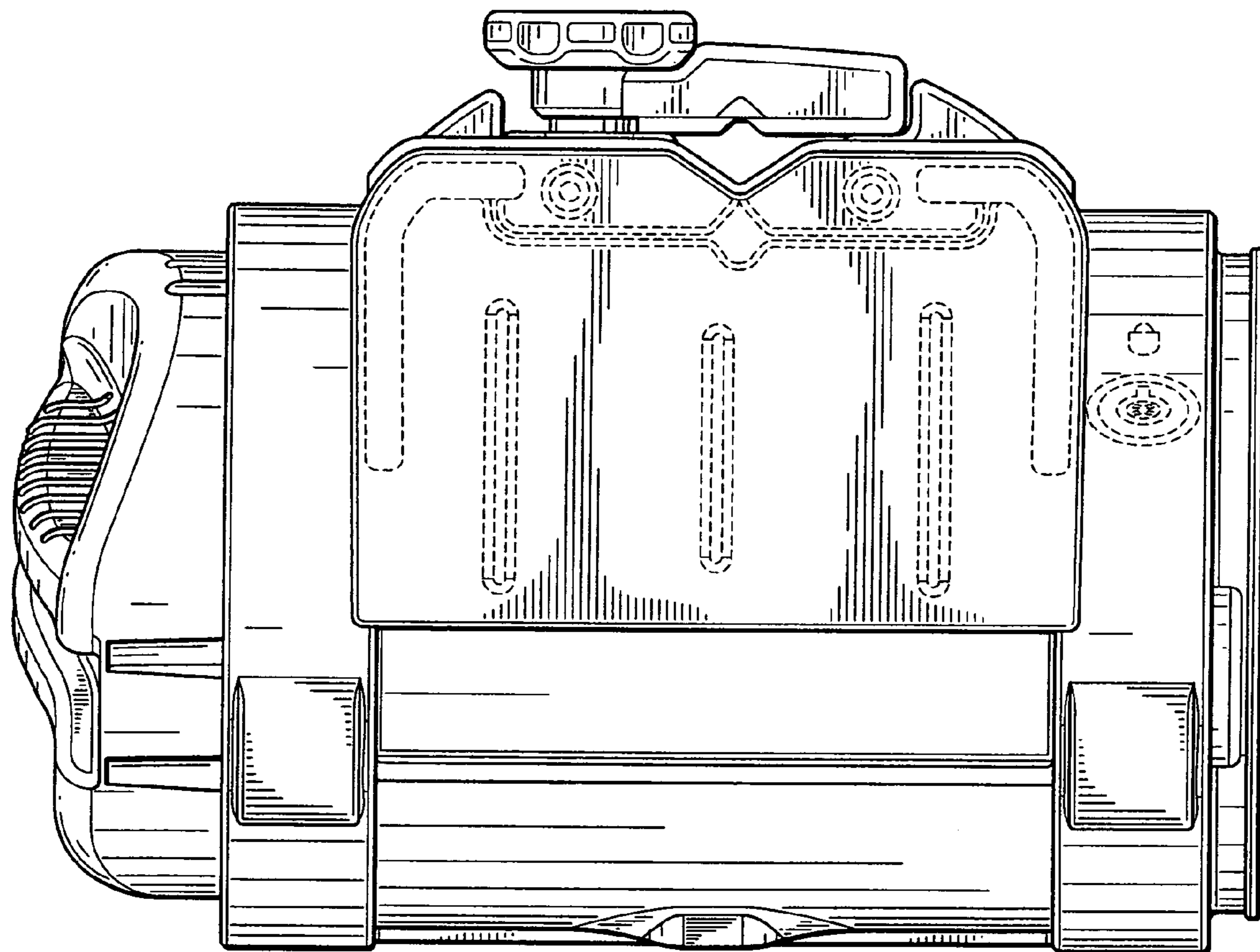


FIG. 10