

US00D565176S

(12) **United States Design Patent**  
**Cané**

(10) **Patent No.:** **US D565,176 S**

(45) **Date of Patent:** **\*\* Mar. 25, 2008**

(54) **PROTECTIVE CAP FOR A DRUG INFUSION DEVICE**

(75) Inventor: **Mario Cané**, Collegno (IT)

(73) Assignee: **Cane' S.r.l.**, Rivoli (Turin) (IT)

(\*\*) Term: **14 Years**

(21) Appl. No.: **29/272,561**

(22) Filed: **Feb. 12, 2007**

(30) **Foreign Application Priority Data**

Aug. 11, 2006 (EM) ..... 000574249

(51) **LOC (8) Cl.** ..... **24-02**

(52) **U.S. Cl.** ..... **D24/111**

(58) **Field of Classification Search** ..... D24/108,  
D24/111, 107, 121, 118; 604/155, 54; 128/DIG. 1,  
128/DIG. 12

See application file for complete search history.

(56) **References Cited**

**U.S. PATENT DOCUMENTS**

3,895,631	A *	7/1975	Buckles et al.	.....	604/132
D246,258	S *	11/1977	Ekert	.....	D24/111
4,276,879	A *	7/1981	Yiournas	.....	604/154
5,928,197	A *	7/1999	Niehoff	.....	604/155
D420,737	S *	2/2000	Kivlehan	.....	D24/111

D475,454	S *	6/2003	Gillespie et al.	.....	D24/111
6,652,489	B2 *	11/2003	Trocki et al.	.....	604/154
6,676,634	B1 *	1/2004	Spohn et al.	.....	604/154
2001/0039396	A1 *	11/2001	Kriesel et al.	.....	604/132
2001/0047153	A1 *	11/2001	Trocki et al.	.....	604/155
2003/0163090	A1 *	8/2003	Blomquist et al.	.....	604/154

\* cited by examiner

*Primary Examiner*—Ian Simmons

*Assistant Examiner*—Carissa C Fitts

(74) *Attorney, Agent, or Firm*—Sughrue Mion, PLLC

(57) **CLAIM**

The ornamental design for a protective cap for a drug infusion device, as shown and described.

**DESCRIPTION**

FIG. 1 is a perspective view of the top, front and left side of a protective cap for a drug infusion device showing my new design;

FIG. 2 is a front elevational view thereof;

FIG. 3 is a bottom elevational view thereof;

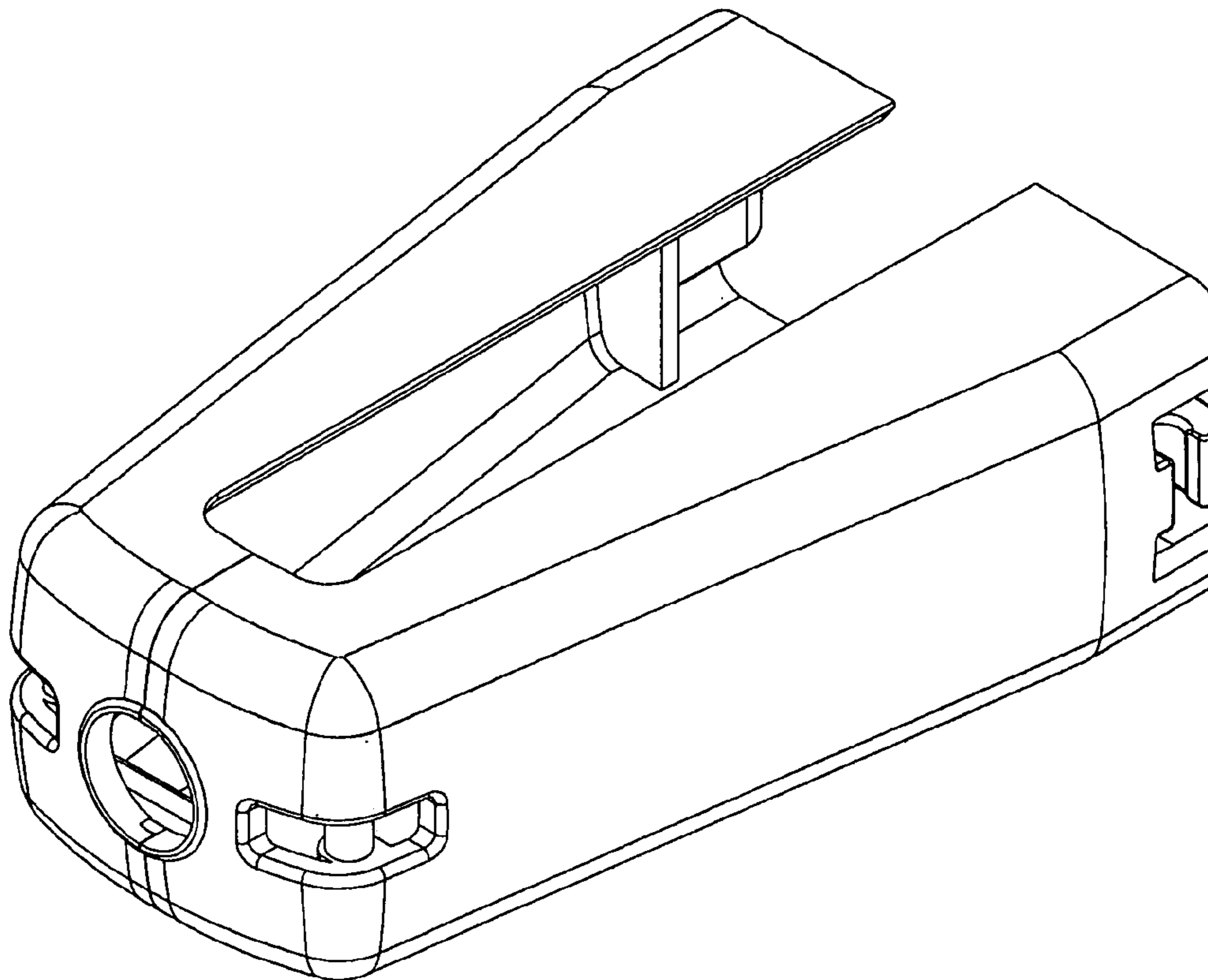
FIG. 4 is a top elevational view thereof; and,

FIG. 5 is a left elevational view thereof.

The rear elevation is identical to the front elevation.

The right elevation is identical to the left elevation.

**1 Claim, 5 Drawing Sheets**



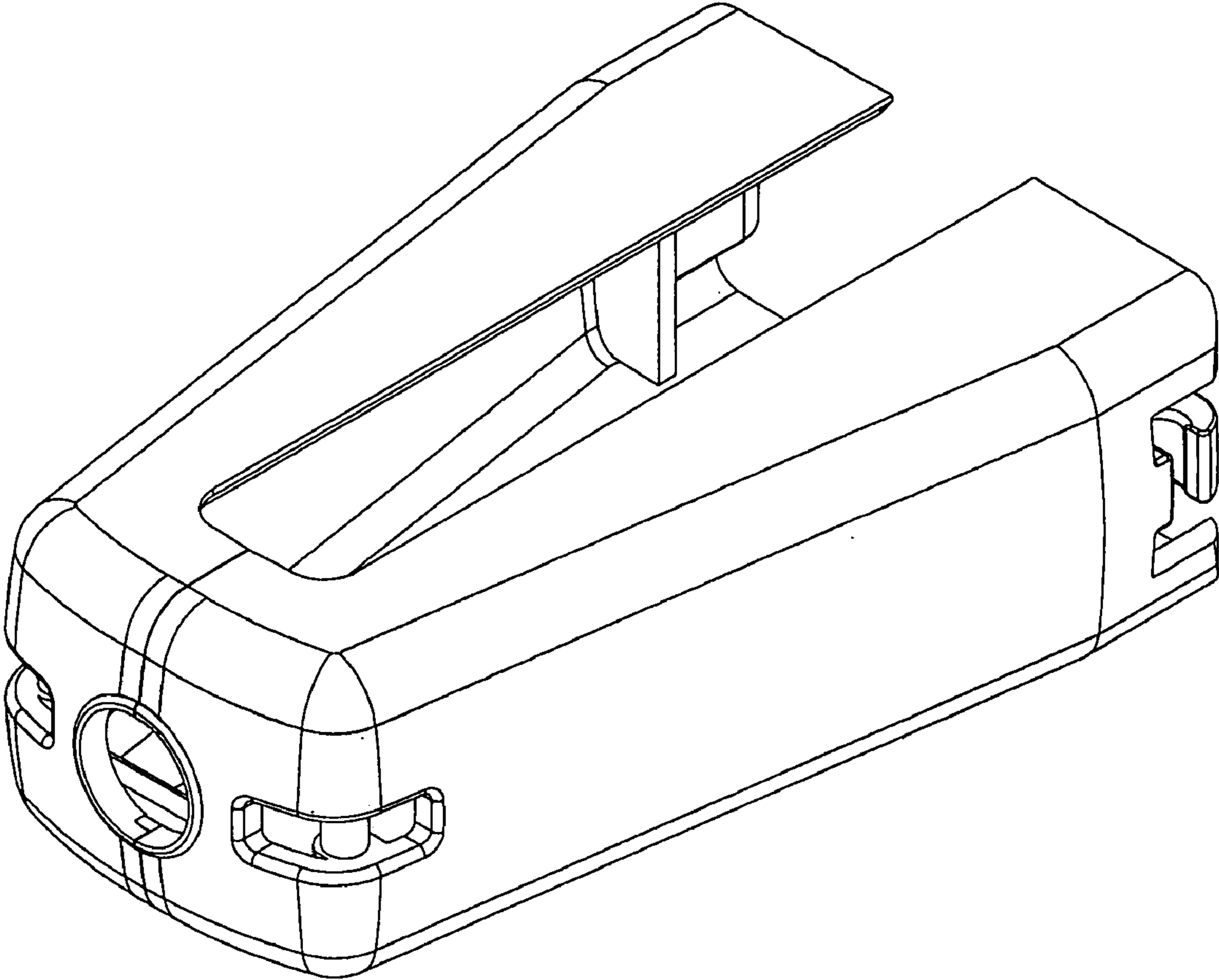


FIGURE 1

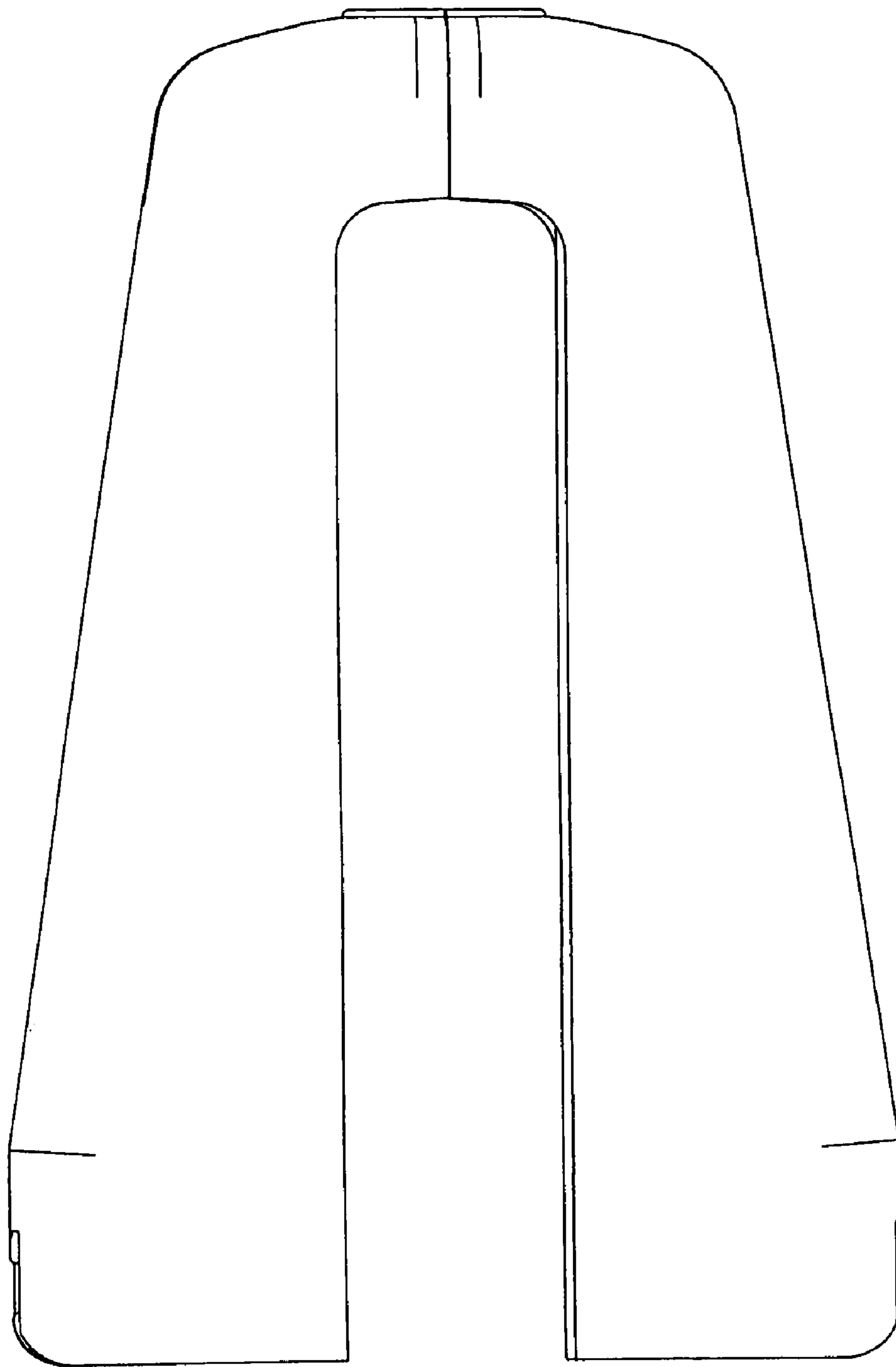


FIGURE 2

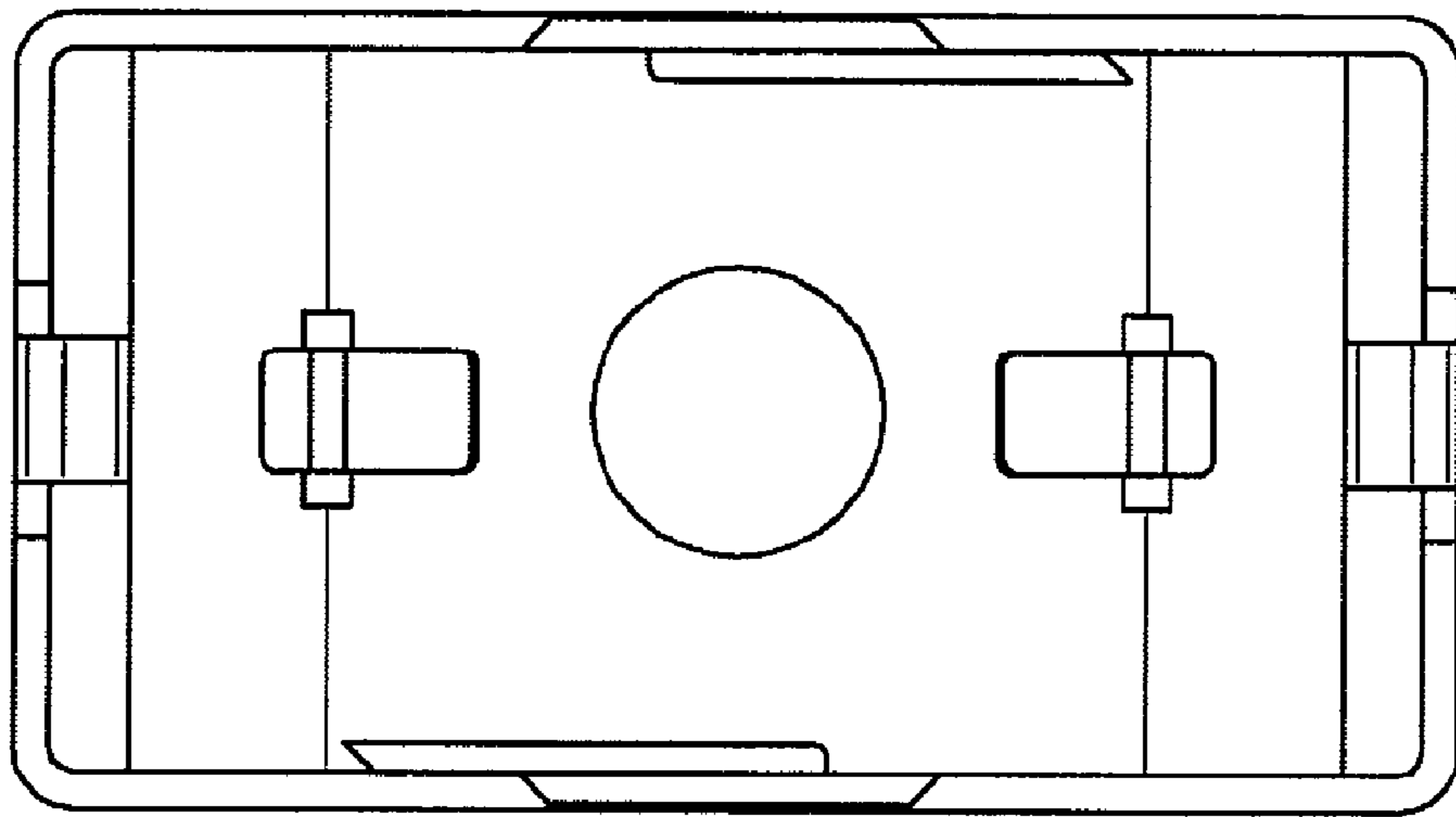


FIGURE 3

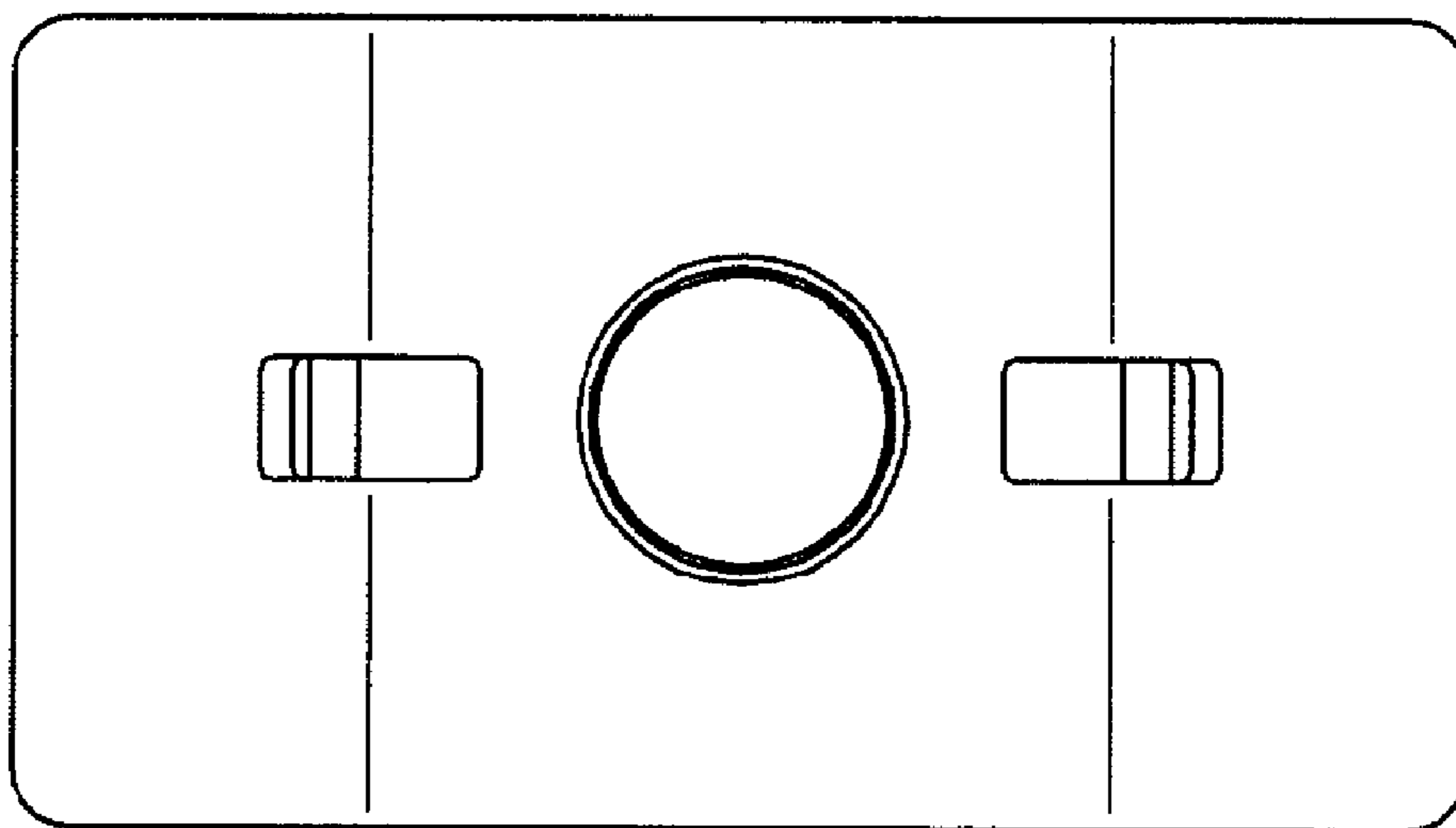


FIGURE 4

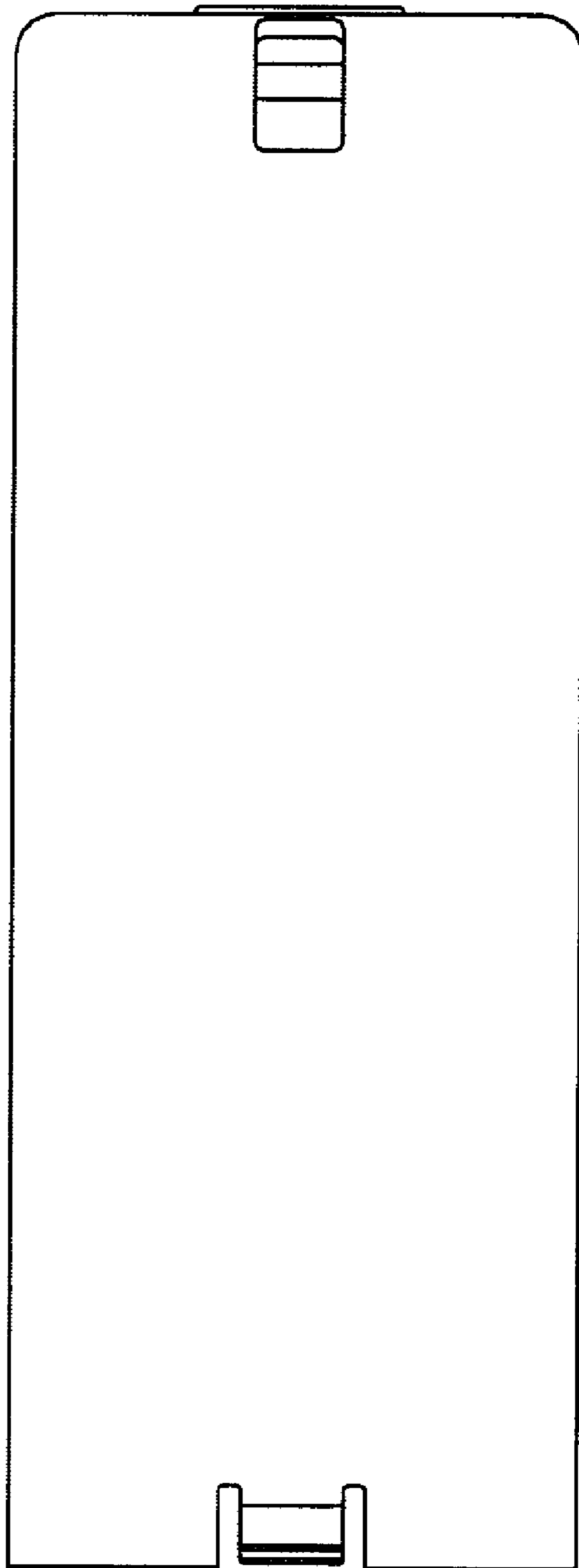


FIGURE 5