

US00D565165S

(12) **United States Design Patent**
Calkins

(10) **Patent No.:** **US D565,165 S**
(45) **Date of Patent:** **** Mar. 25, 2008**

(54) **COMBINED DUAL FAN ASSEMBLY AND SHROUD**

(75) Inventor: **Scot Calkins**, Olympia, WA (US)

(73) Assignee: **Flex-A-Lite Consolidated, Inc.**, Fife, WA (US)

(**) Term: **14 Years**

(21) Appl. No.: **29/269,806**

(22) Filed: **Dec. 7, 2006**
(Under 37 CFR 1.47)

(51) **LOC (8) Cl.** **23-04**

(52) **U.S. Cl.** **D23/370**

(58) **Field of Classification Search** D23/370,
D23/380, 379; 417/423.15, 423.14; 165/67
See application file for complete search history.

(56) **References Cited**

U.S. PATENT DOCUMENTS

7,004,732 B2 *	2/2006	Cho et al.	417/423.15
7,007,744 B2 *	3/2006	Kalbacher	165/67
D532,095 S *	11/2006	Calkins	D23/370

* cited by examiner

Primary Examiner—Lisa Lichtenstein

(74) *Attorney, Agent, or Firm*—McDonnell Boehnen
Hulbert & Berghoff LLP

(57) **CLAIM**

The ornamental design for a combined dual fan assembly and shroud, as shown and described.

DESCRIPTION

This dual fan assembly and shroud is characterized by high efficiency airflow and integral mounting points for the motor/fan assembly as well as the complete fan/shroud assembly in a single piece molded shroud.

FIG. 1 is a front view of the combined dual fan assembly and shroud.

FIG. 2 is a back view of the combined dual fan assembly and shroud.

FIG. 3 is a right side view of the combined dual fan assembly and shroud.

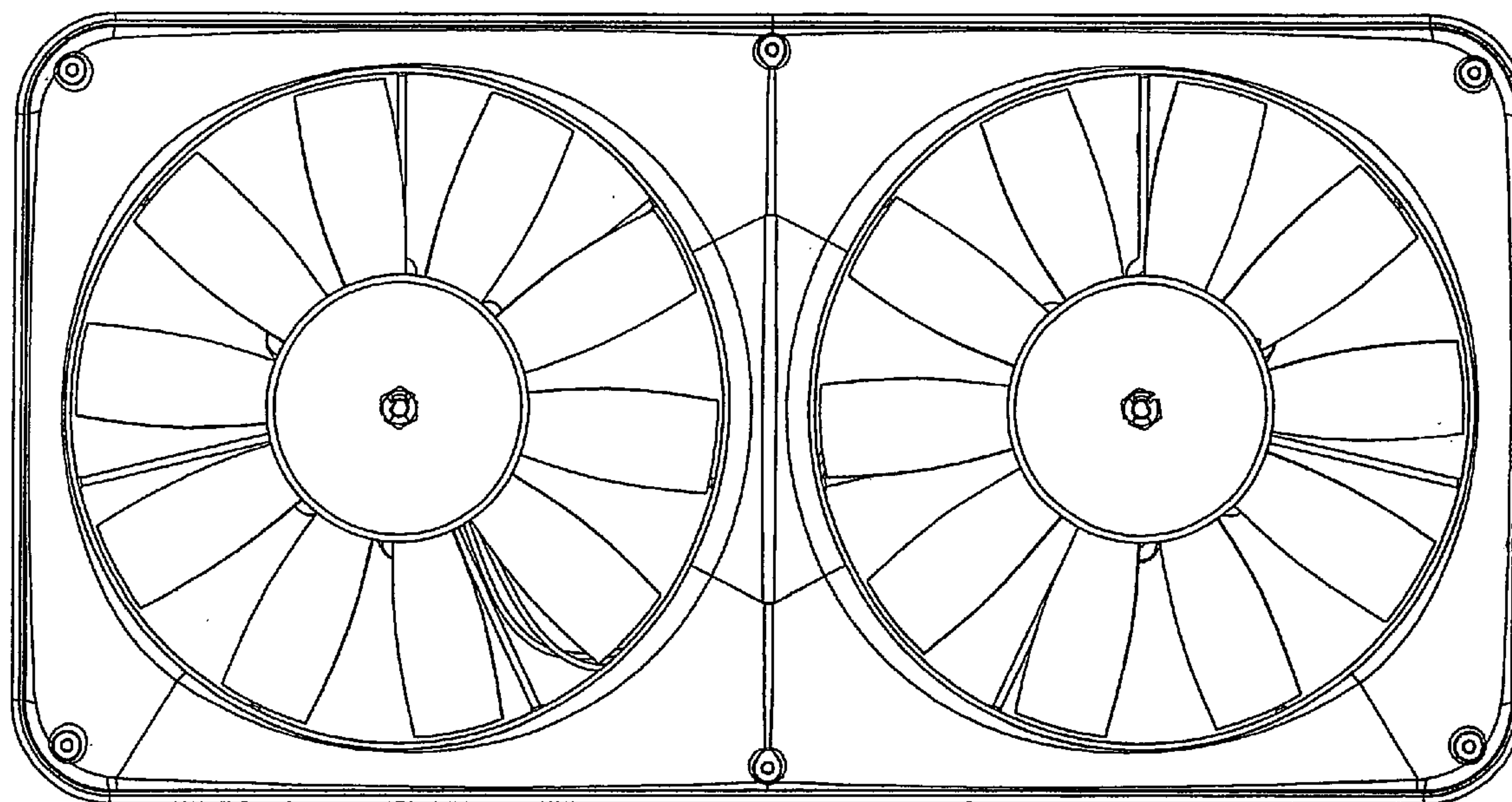
FIG. 4 is a left side view of the combined dual fan assembly and shroud.

FIG. 5 is a bottom view of the combined dual fan assembly and shroud.

FIG. 6 is a top view of the combined dual fan assembly and shroud; and,

FIG. 7 is an isometric view of the combined dual fan assembly and shroud.

1 Claim, 7 Drawing Sheets



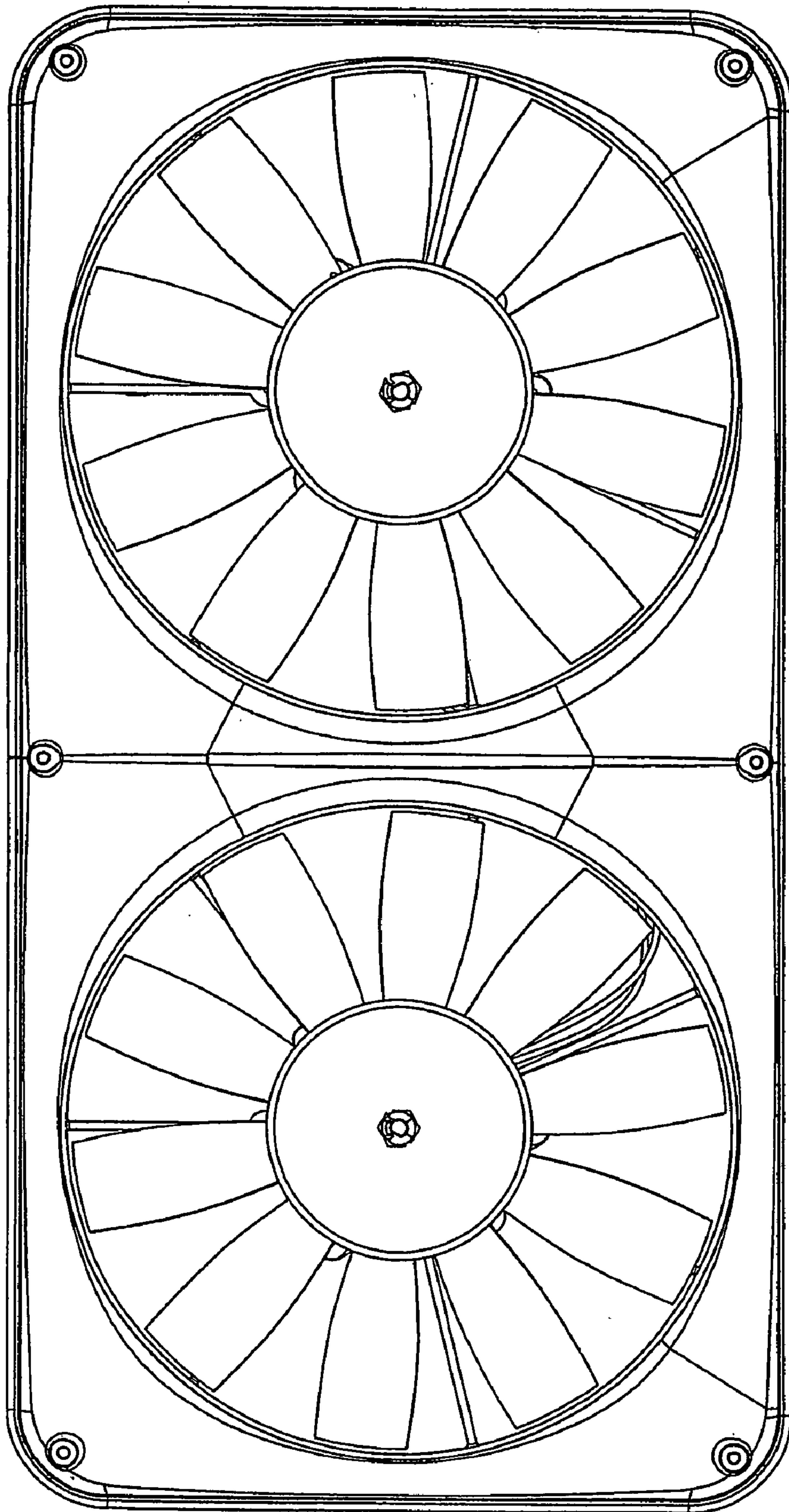


FIG. 1

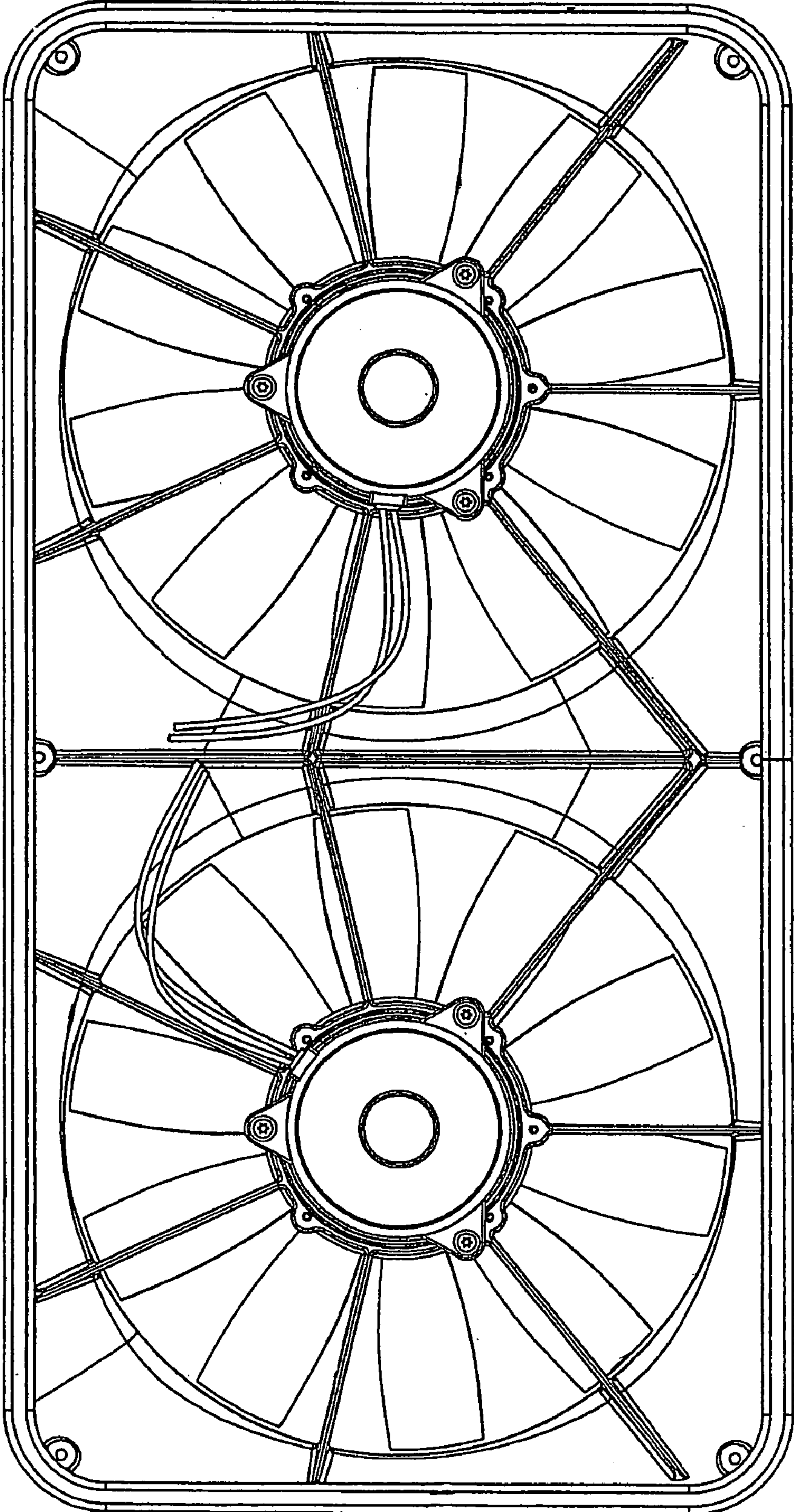


FIG. 2

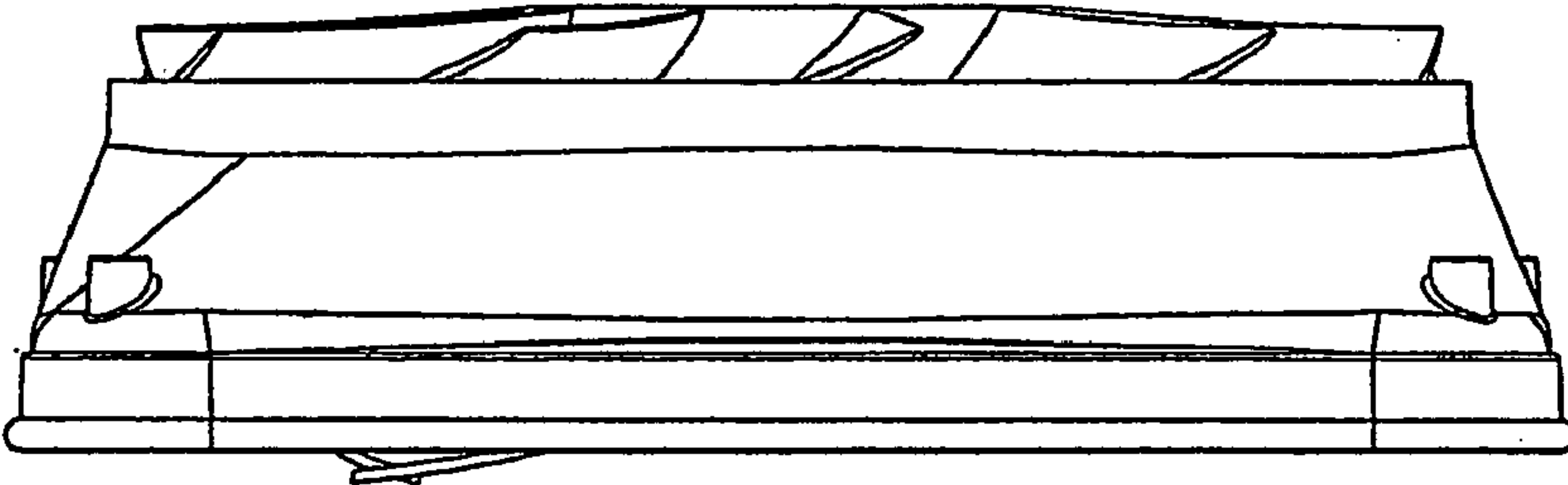


FIG. 3

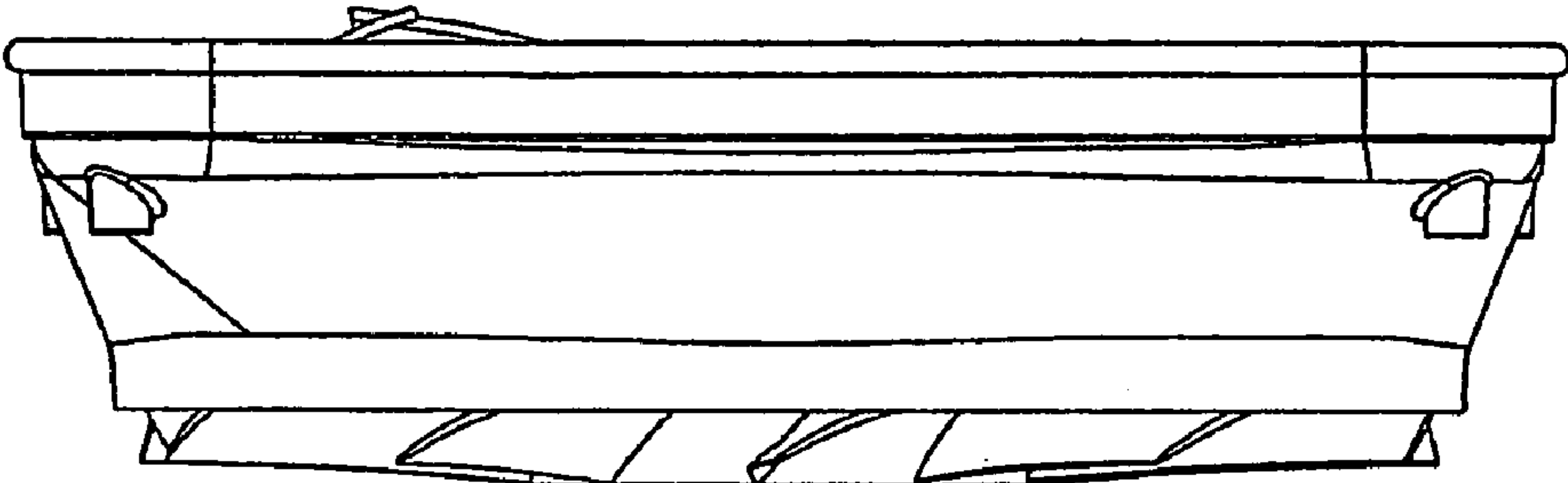


FIG. 4

FIG. 5

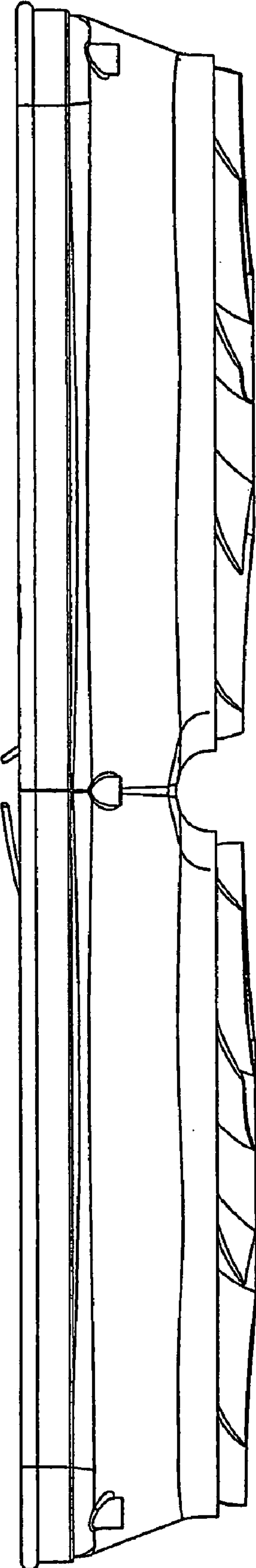
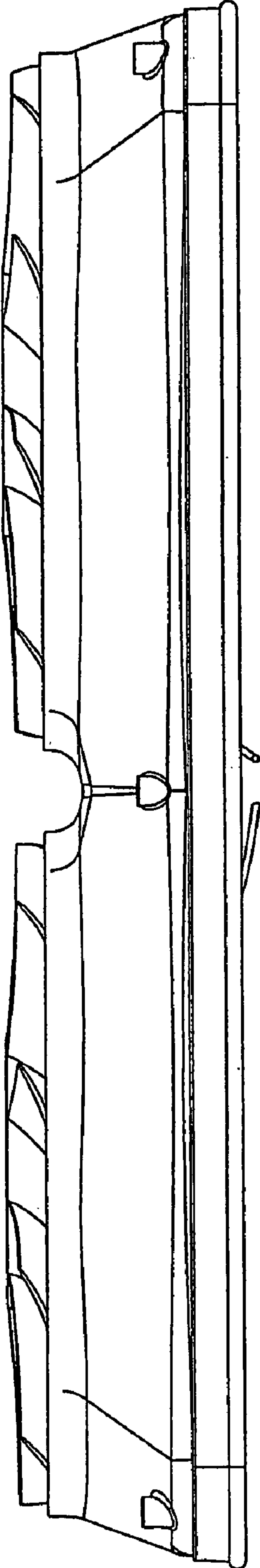


FIG. 6



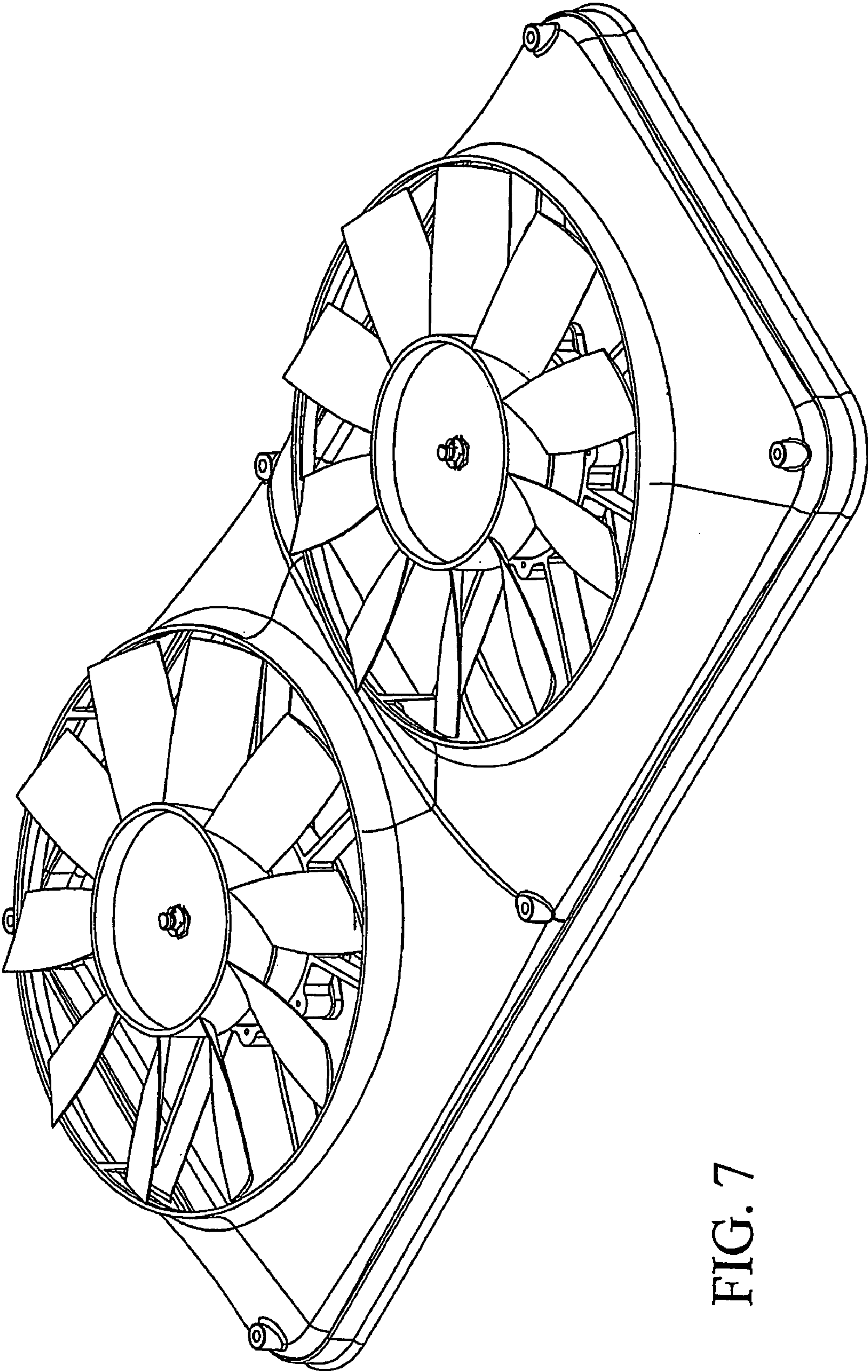


FIG. 7