



US00D565159S

(12) **United States Design Patent**
Shin et al.

(10) **Patent No.:** **US D565,159 S**

(45) **Date of Patent:** **** Mar. 25, 2008**

(54) **AIR PURIFYING HUMIDIFIER**

(75) Inventors: **Hi-In Shin**, Seoul (KR); **Jeong-Seok Yeom**, Gyeonggi-do (KR); **Hyung-Woo Kim**, Seoul (KR); **Yun-Mi Rhee**, Seoul (KR)

(73) Assignee: **Winiamando Inc.**, Asan (KR)

(**) Term: **14 Years**

(21) Appl. No.: **29/281,666**

(22) Filed: **Jun. 28, 2007**

(30) **Foreign Application Priority Data**

Dec. 28, 2006 (KR) 30-2006-0051773

(51) **LOC (8) Cl.** **23-04**

(52) **U.S. Cl.** **D23/356**

(58) **Field of Classification Search** 422/120,
422/122; 55/356, 473, 504; 210/497.1;
96/97; D14/188, 170, 172; 261/DIG. 65
See application file for complete search history.

(56) **References Cited**

U.S. PATENT DOCUMENTS

D323,382 S *	1/1992	Wang	D23/335
D376,418 S *	12/1996	Wang	D23/332
D376,419 S *	12/1996	Seaman et al.	D23/356
D397,196 S *	8/1998	Tsuji	D23/356
D402,746 S *	12/1998	Clark et al.	D23/364
D425,609 S *	5/2000	Hyon	D23/359

D429,805 S *	8/2000	Hyon	D23/359
D442,270 S *	5/2001	Campbell et al.	D23/364
D462,754 S *	9/2002	Briggs et al.	D23/364
D484,962 S *	1/2004	Best et al.	D23/356
D500,848 S *	1/2005	Holderfield et al.	D23/364
D514,684 S *	2/2006	Lee	D23/370
D553,229 S *	10/2007	Song et al.	D23/359

* cited by examiner

Primary Examiner—Ian Simmons

Assistant Examiner—David G Muller

(74) *Attorney, Agent, or Firm*—Rothwell, Figg, Ernst & Manbeck, PC

(57) **CLAIM**

The ornamental design for an air purifying humidifier, as shown and described.

DESCRIPTION

FIG. 1 shows the perspective view of the air purifying humidifier;

FIG. 2 shows the front view of the air purifying humidifier;

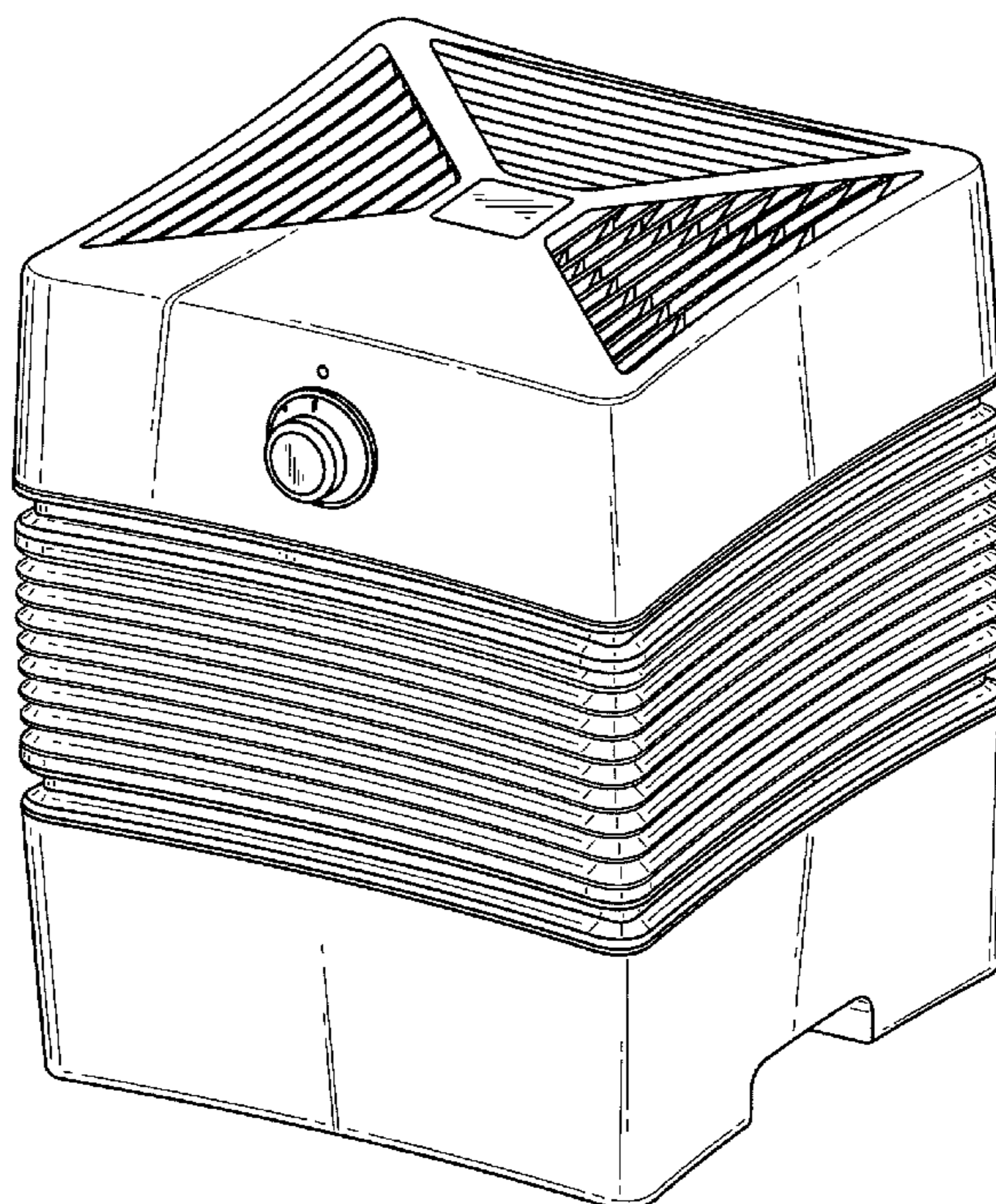
FIG. 3 shows the rear view of the air purifying humidifier;

FIG. 4 shows the left view of the air purifying humidifier; the right view is a mirror image thereof;

FIG. 5 shows the top view of the air purifying humidifier; and,

FIG. 6 shows the bottom view of the air purifying humidifier.

1 Claim, 4 Drawing Sheets



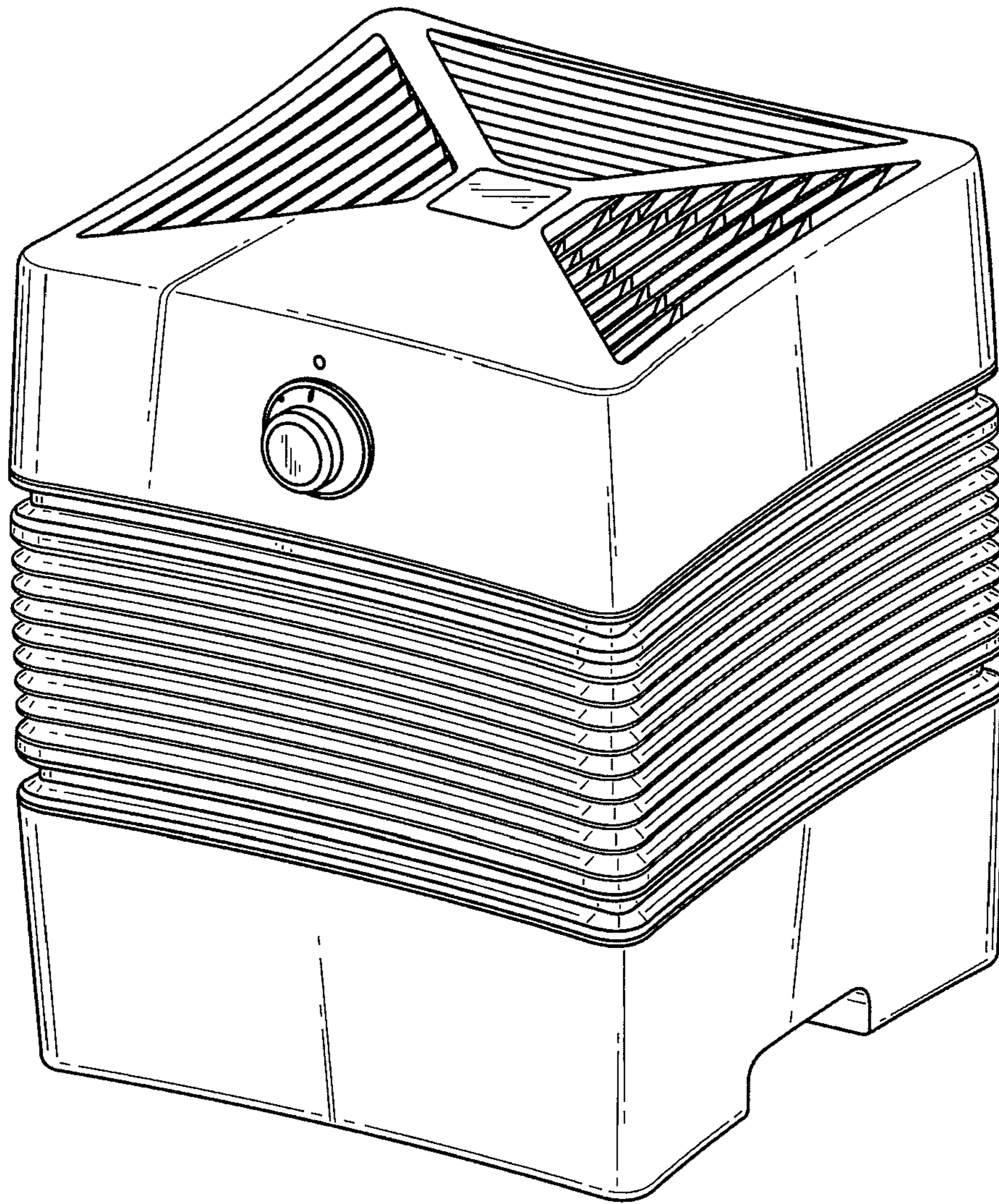


FIG. 1

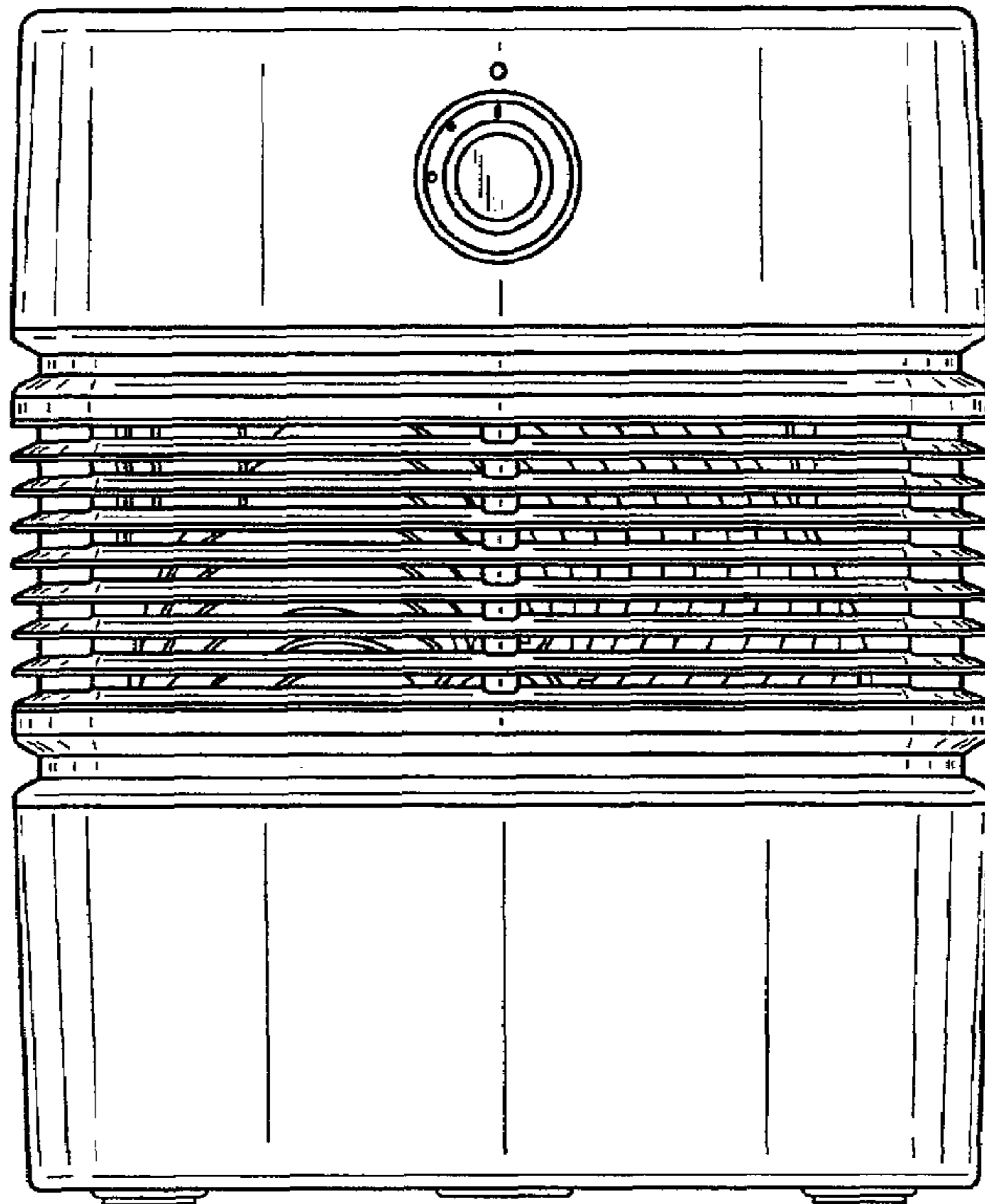


FIG. 2

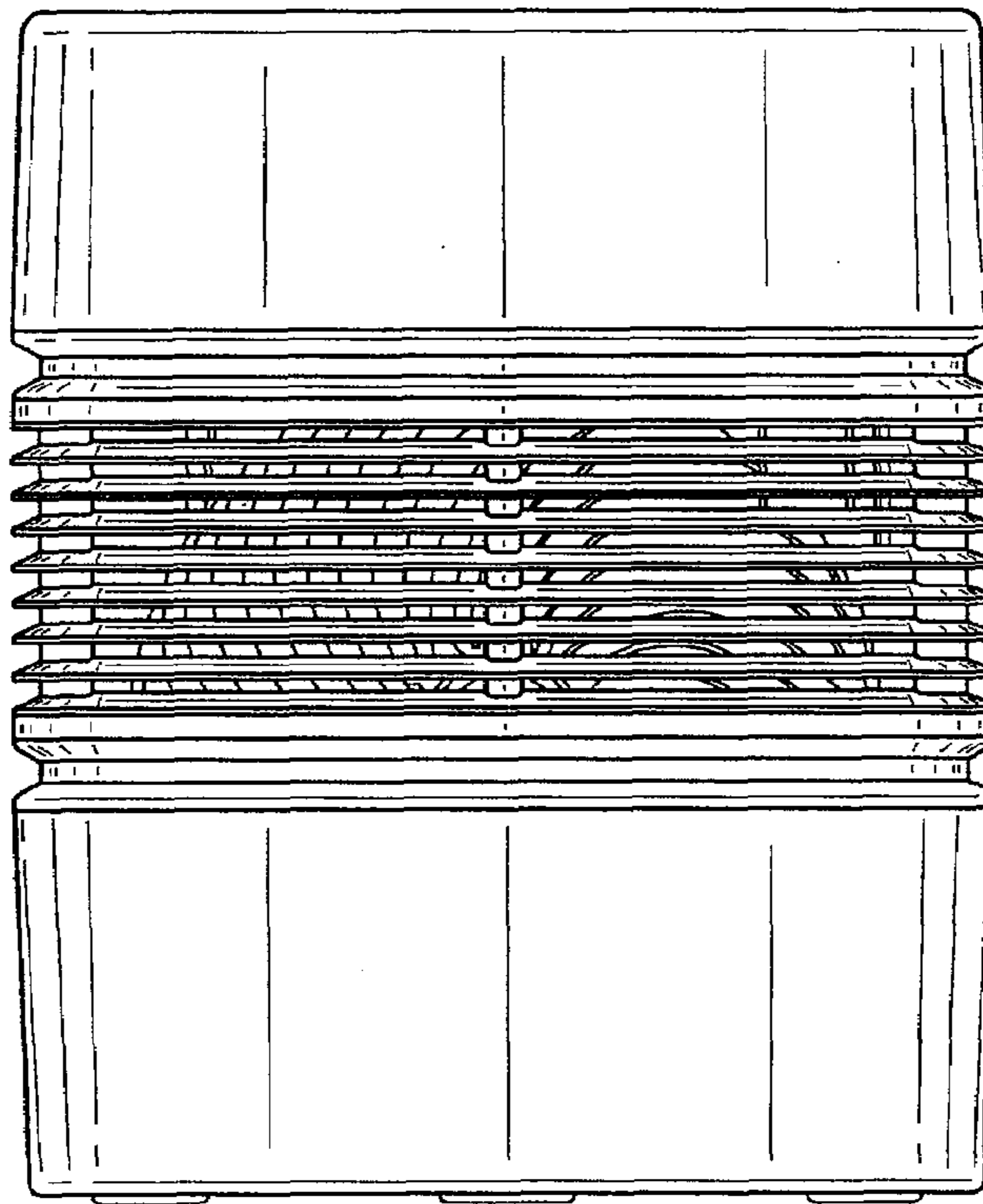


FIG. 3

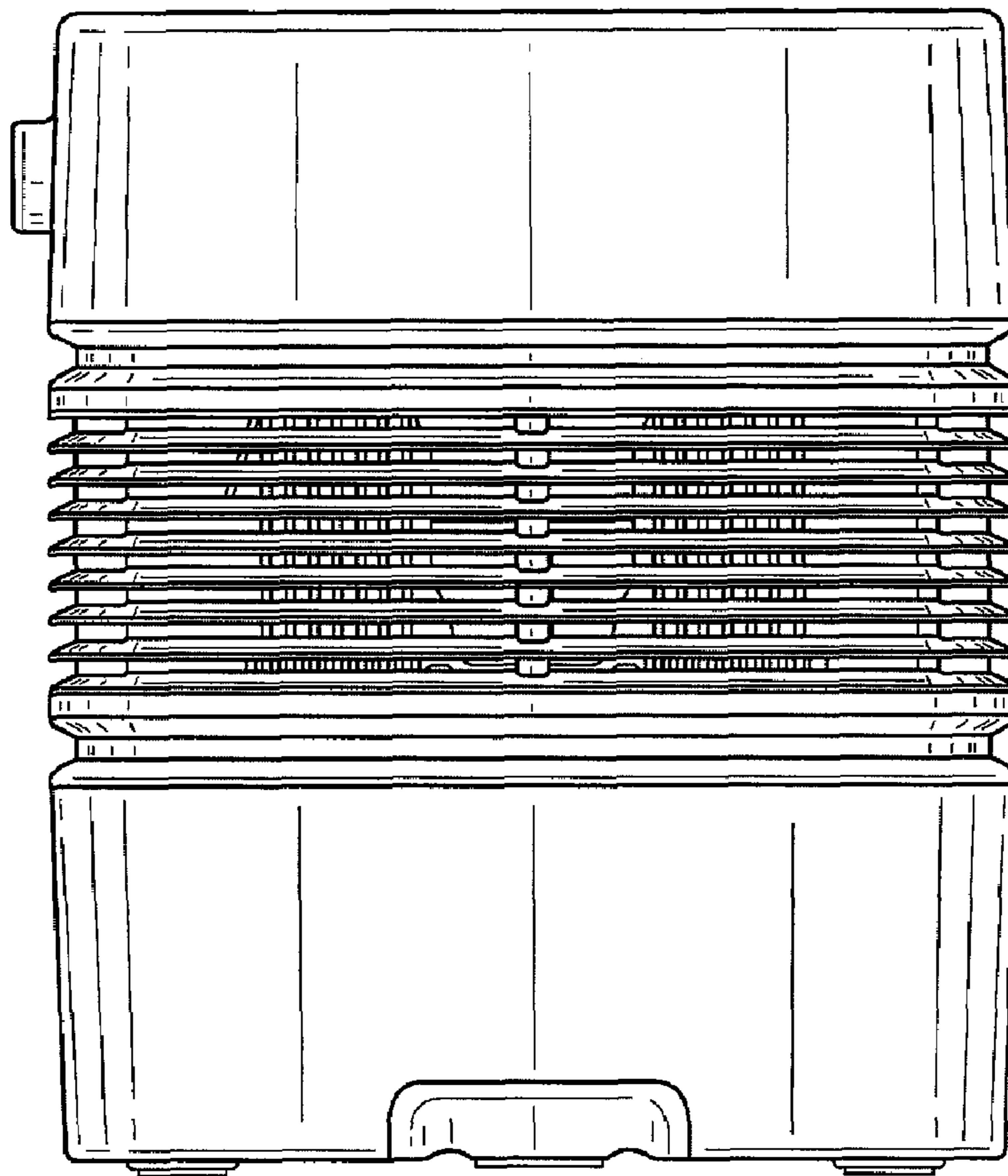


FIG. 4

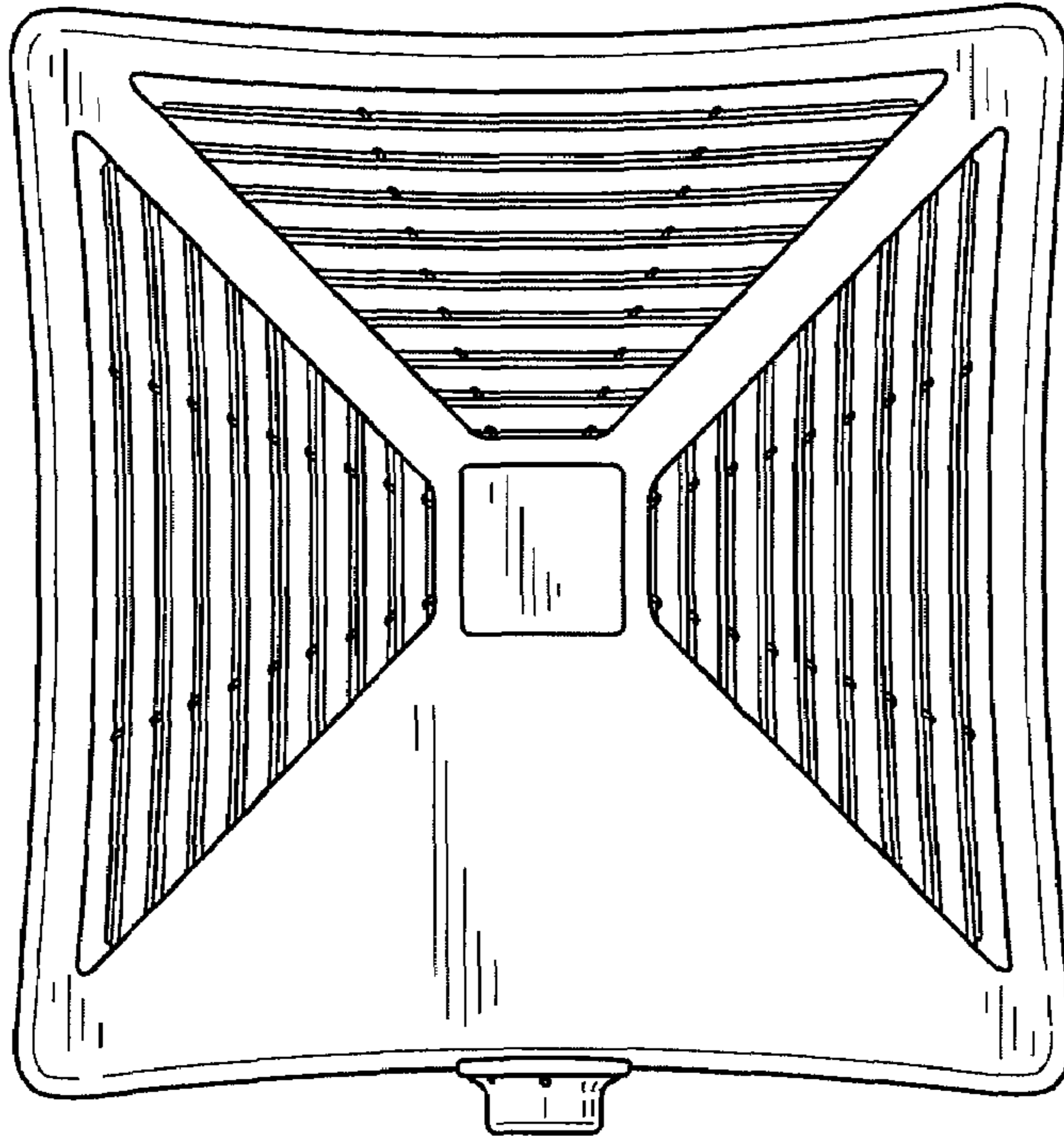


FIG. 5

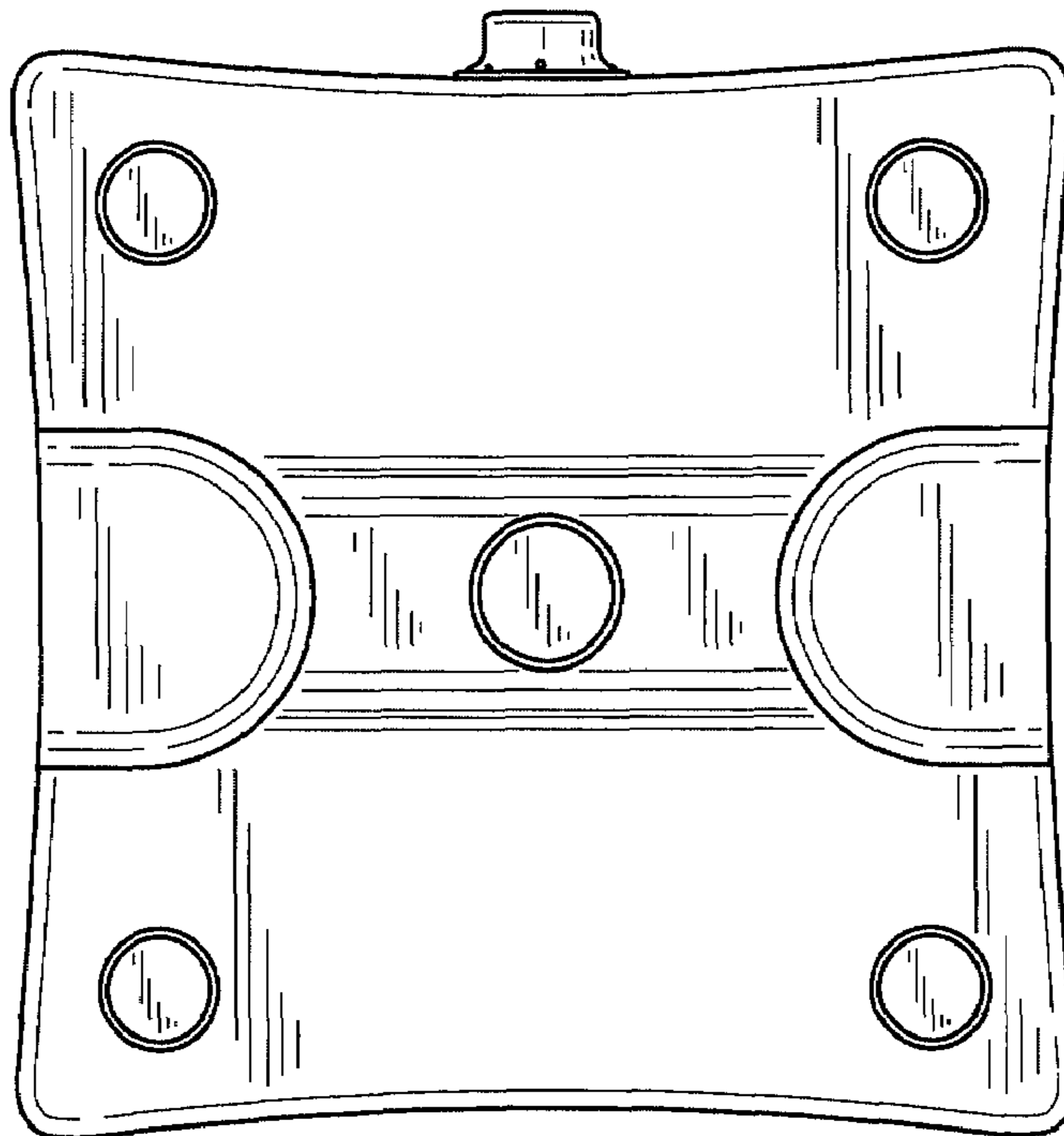


FIG. 6