



US00D565157S

(12) **United States Design Patent**
Bates

(10) **Patent No.:** **US D565,157 S**
(45) **Date of Patent:** **** Mar. 25, 2008**

(54) **SHOWER BASE**

(57) **CLAIM**

(75) Inventor: **Michael R. Bates**, Sheboygan Falls, WI (US)

The ornamental design for a shower base, as shown and described.

(73) Assignee: **Kohler Co.**, Kohler, WI (US)

(**) Term: **14 Years**

DESCRIPTION

(21) Appl. No.: **29/279,758**

In a preferred embodiment, the nature of this product is as a shower receptor for a shower plumbing fixture.

(22) Filed: **May 7, 2007**

FIG. 1 is a top, right, front perspective view of a shower base of my new design;

(51) **LOC (8) Cl.** **23-02**

FIG. 2 is a top plan view thereof;

(52) **U.S. Cl.** **D23/304**

FIG. 3 is a front elevational view thereof;

(58) **Field of Classification Search** D23/271,
D23/273, 275, 283, 303-306; 4/546, 552,
4/596-597, 612-614

FIG. 4 is a right side elevational view thereof, the left side elevational view thereof being a mirror image of the right side shown;

See application file for complete search history.

FIG. 5 is a rear elevational view thereof;

(56) **References Cited**

U.S. PATENT DOCUMENTS

FIG. 6 is a bottom plan view thereof;

- D480,455 S * 10/2003 Painter et al. D23/283
- D531,709 S * 11/2006 Hisey D23/283
- D541,913 S * 5/2007 Piatt D23/304

FIG. 7 is a top, right front perspective view of another embodiment of my new design;

OTHER PUBLICATIONS

- Clarke Products Inc.: "large colorfloor for spacious showers", item SB4234, (c) 1993.*
- Sterling. "Ensemble." Series 7213, 60x34 shower receptor. Sterlingplumbing.com online catalog. Sterling (A Kohler Company) Copyright 2007 Kohler Co.
- Kohler. "Memoirs" shower receptor. K-9568. Kohler Co. online catalog. Copyright 2007 Kohler Co.
- Sterling. "Ensemble." Series 7214, 60x30 Left-hand shower receptor. Sterlingplumbing.com online catalog. Sterling (A Kohler Company) Copyright 2007 Kohler Co.
- Kohler. "Memoirs" shower receptor. K-9547. Kohler Co. online catalog. Copyright 2007 Kohler Co.

FIG. 8 is a top plan view thereof;

FIG. 9 is a front elevational view thereof;

FIG. 10 is a right side elevational view thereof;

FIG. 11 is a left side elevational view thereof;

FIG. 12 is a rear elevational view thereof;

FIG. 13 is a bottom plan view thereof; and,

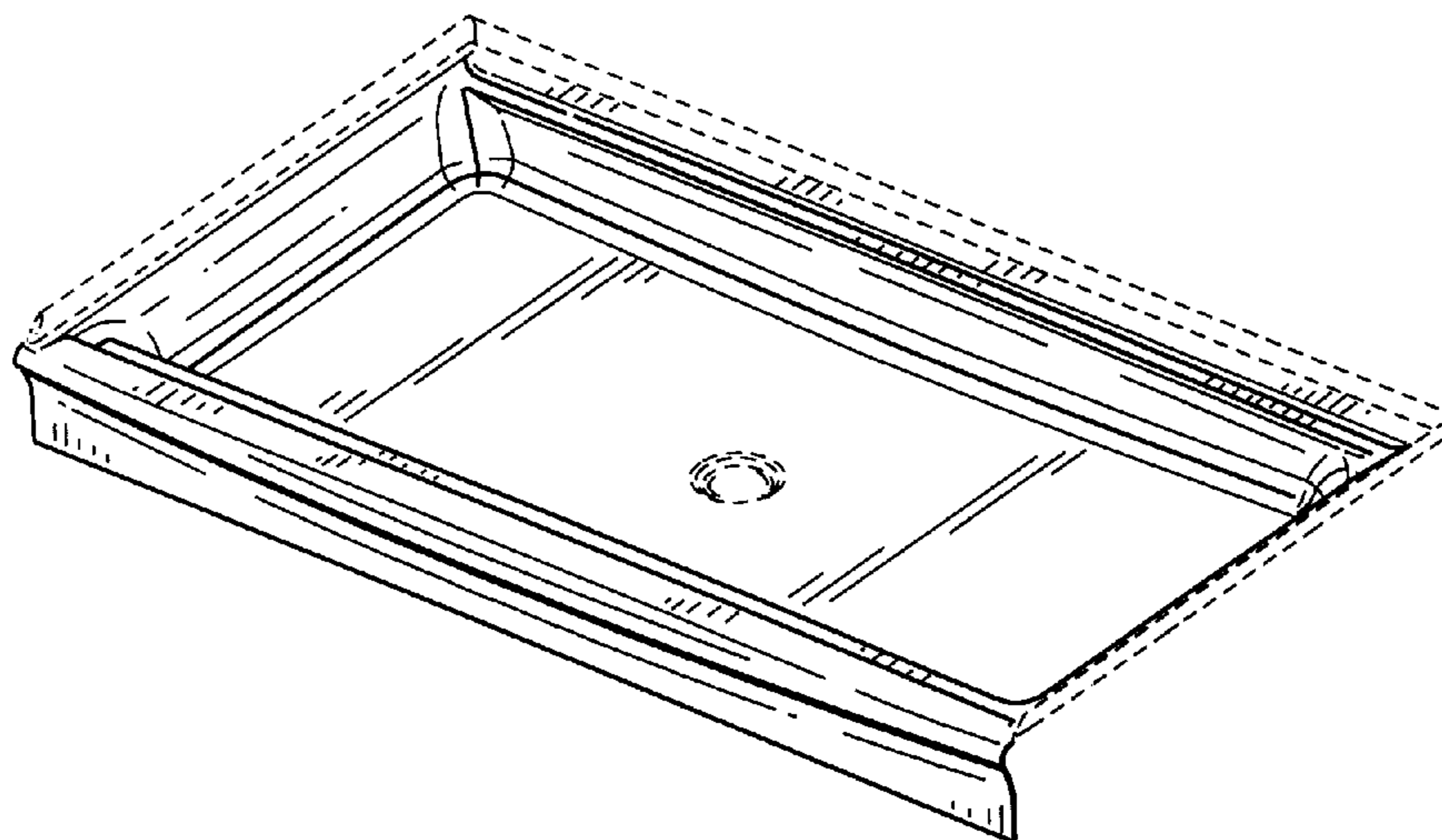
FIG. 14 is a top, left front perspective view of another embodiment of my new design, the front elevational view thereof being identical to FIG. 9 and the remaining views being mirror images of the views shown in FIGS. 8 and 10-13.

The broken line representations in the figures are for the purpose of illustration only, and form no part of the claimed design.

* cited by examiner

Primary Examiner—Robert A. Delehanty
(74) *Attorney, Agent, or Firm*—Quarles & Brady LLP

1 Claim, 7 Drawing Sheets



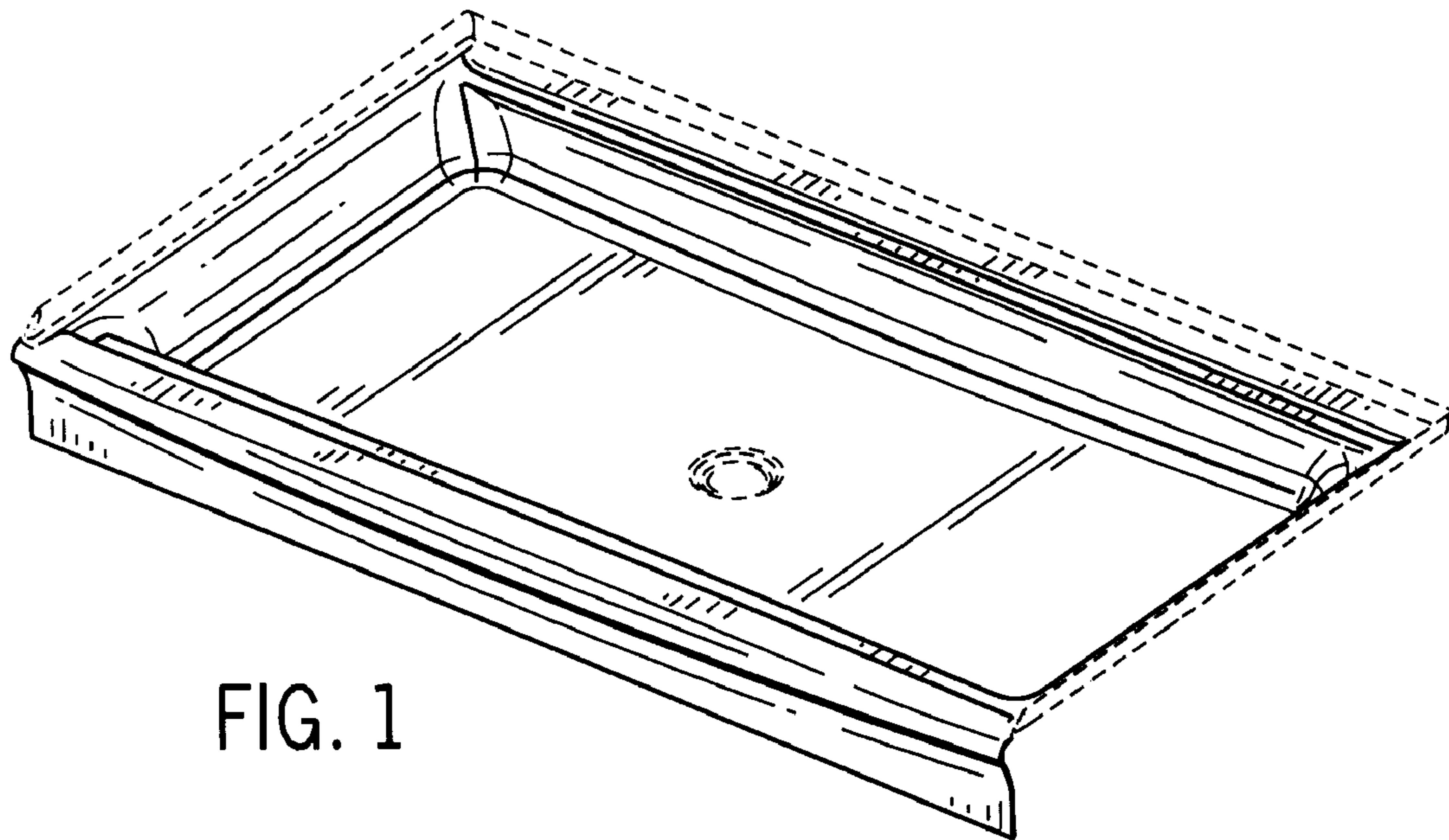
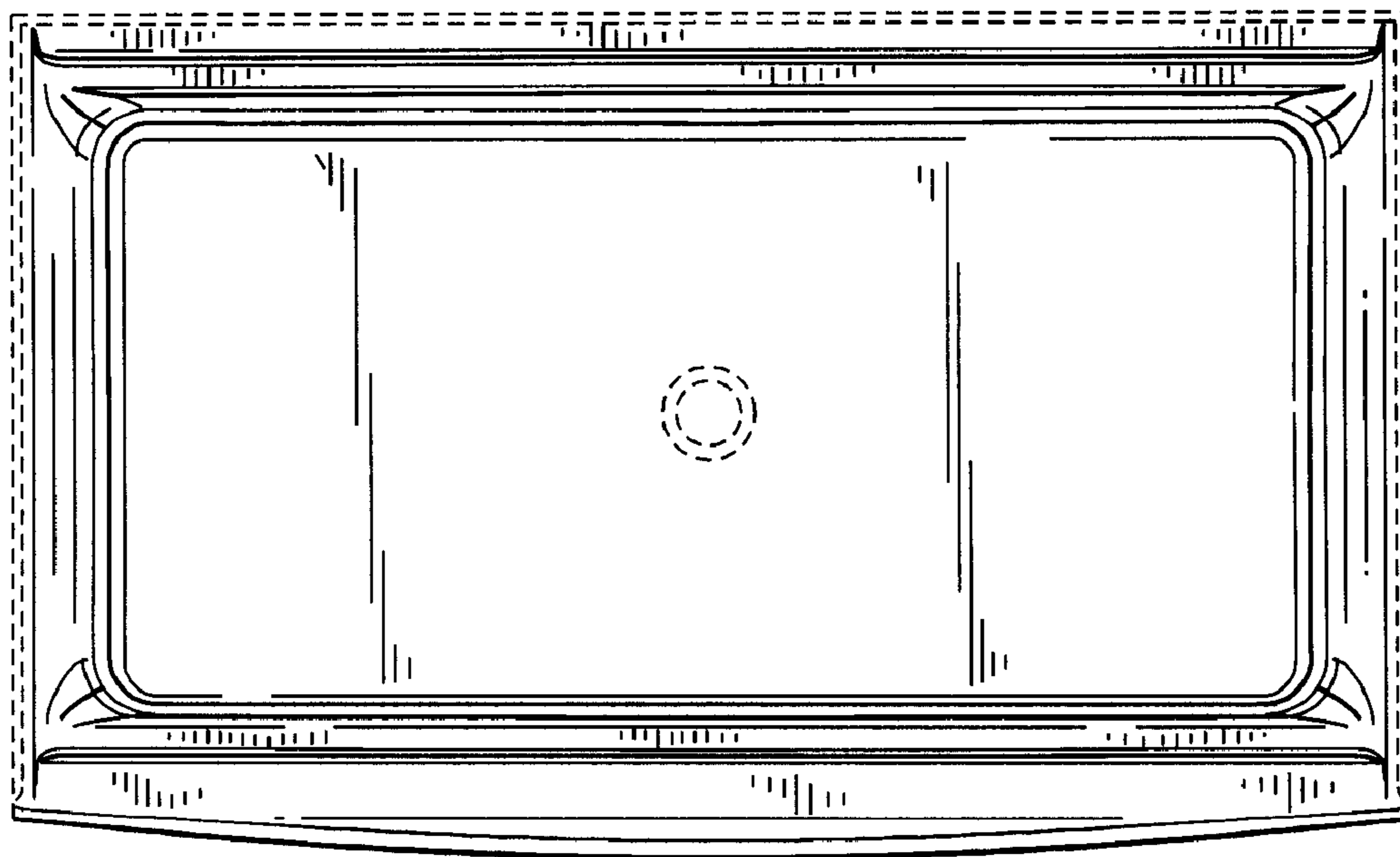


FIG. 1

FIG. 2



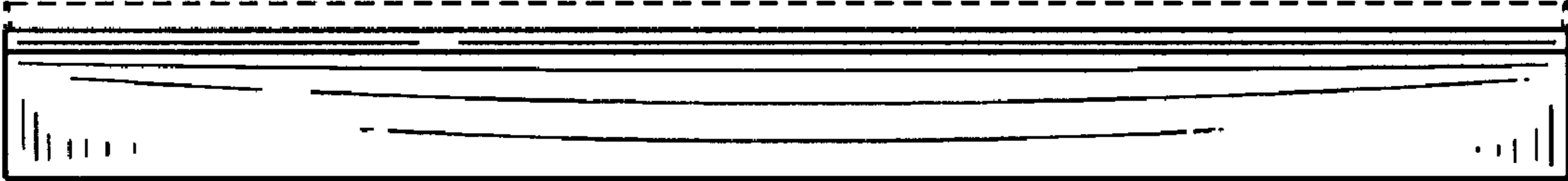


FIG. 3

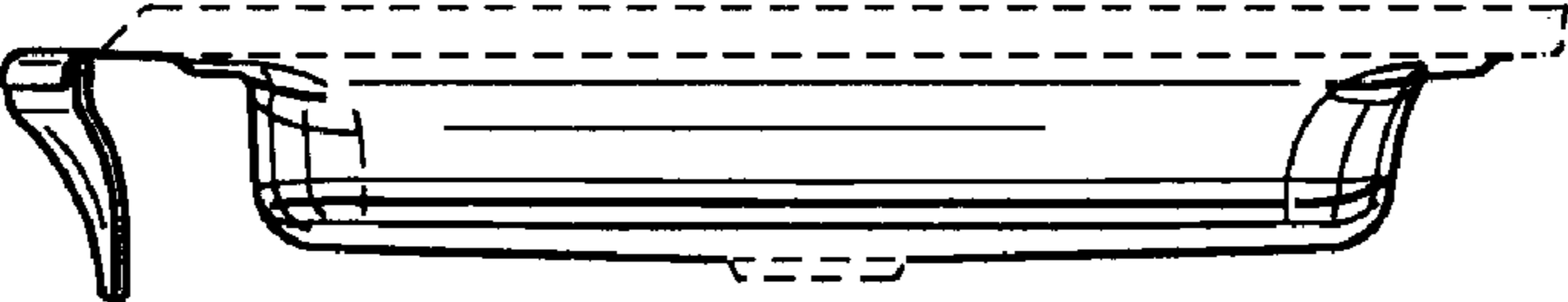


FIG. 4

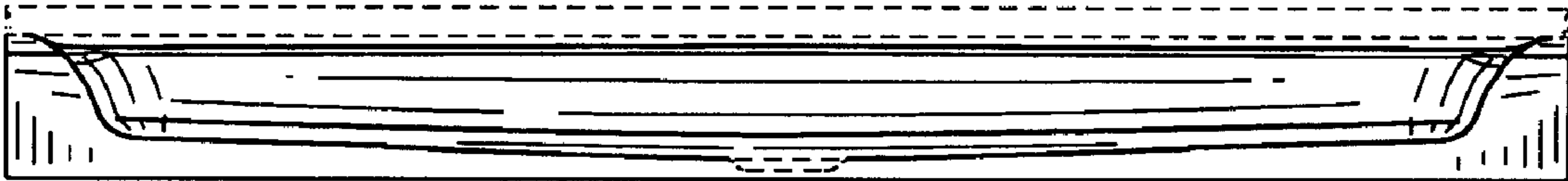


FIG. 5

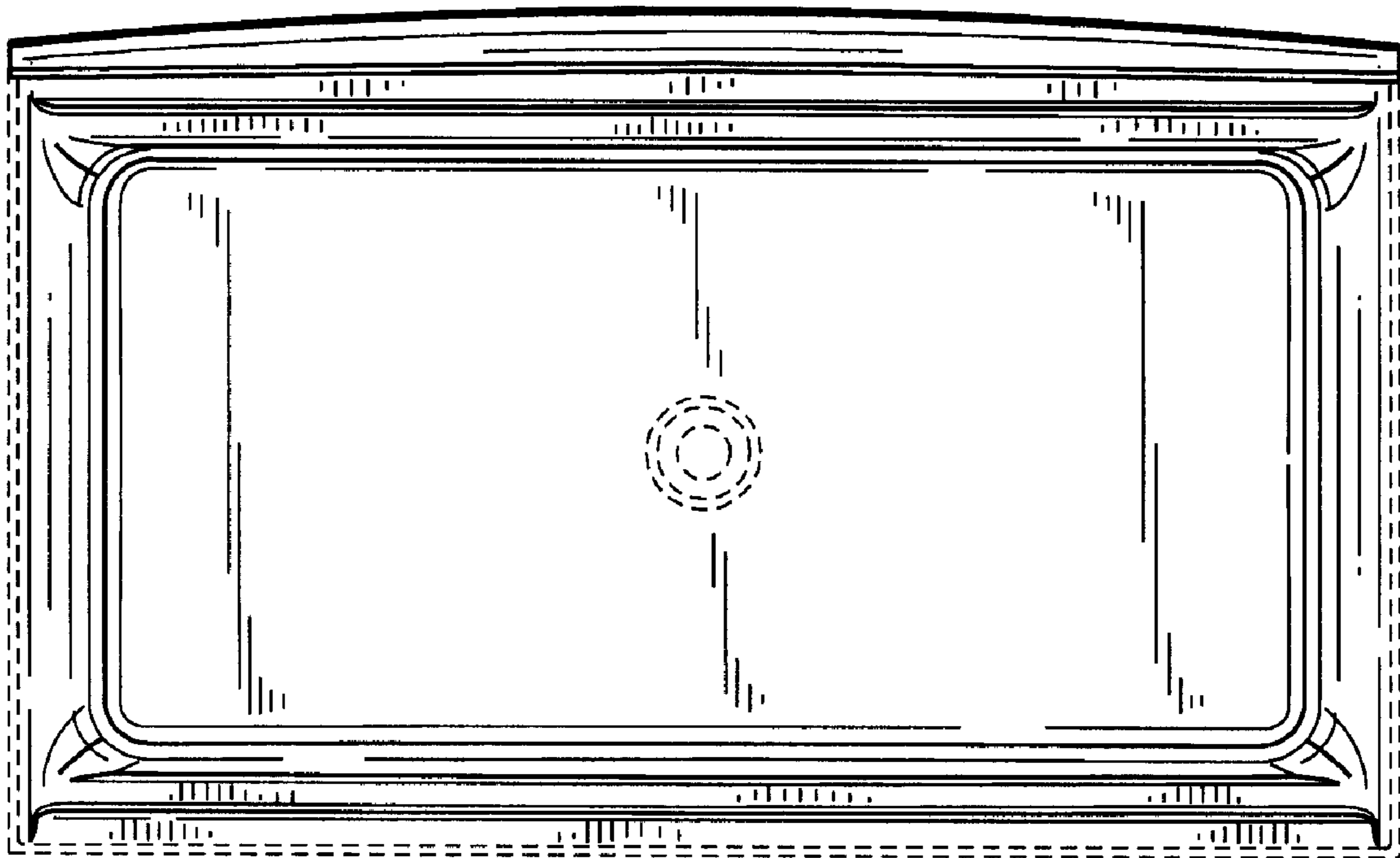


FIG. 6

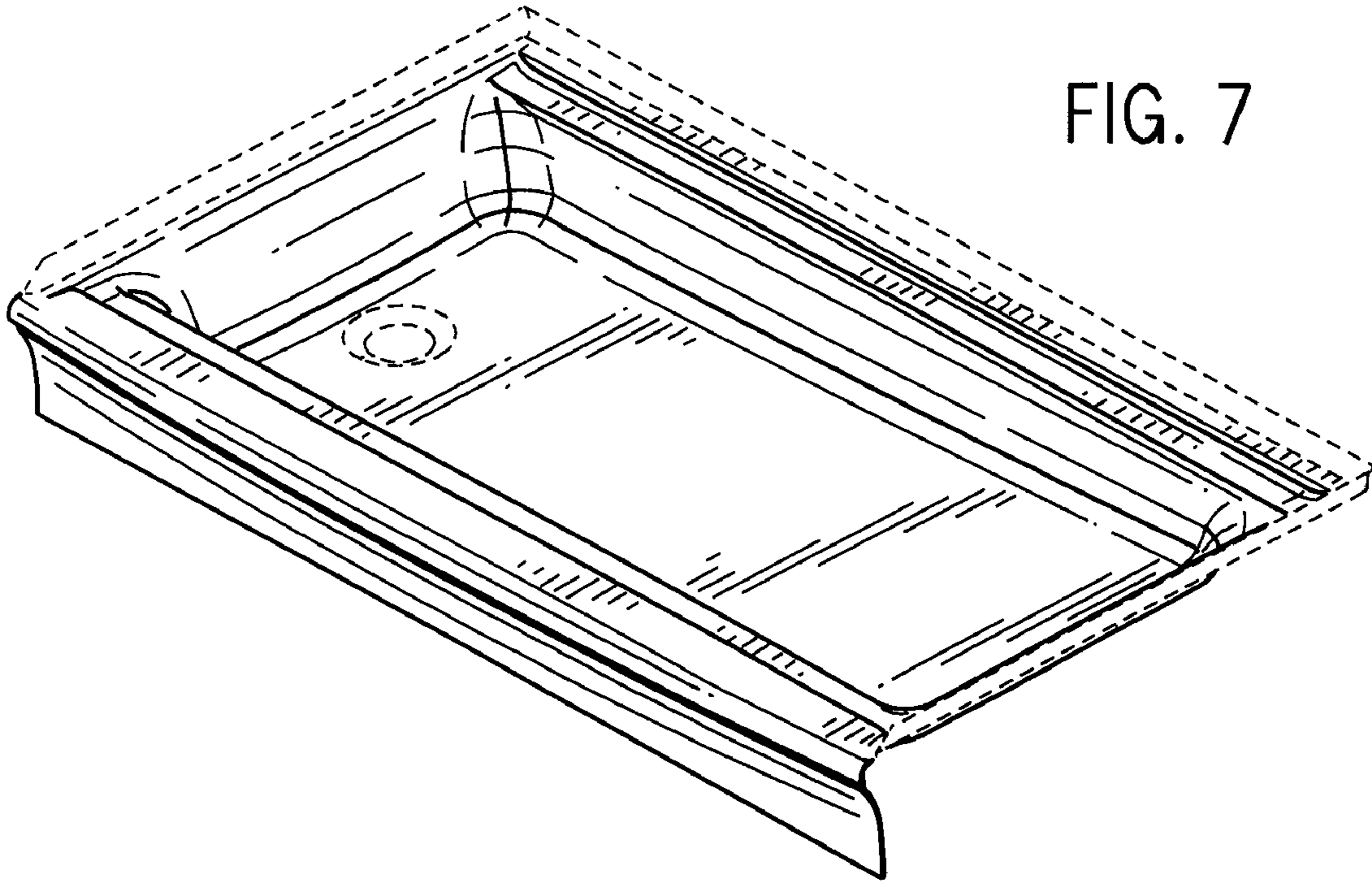


FIG. 7

FIG. 8

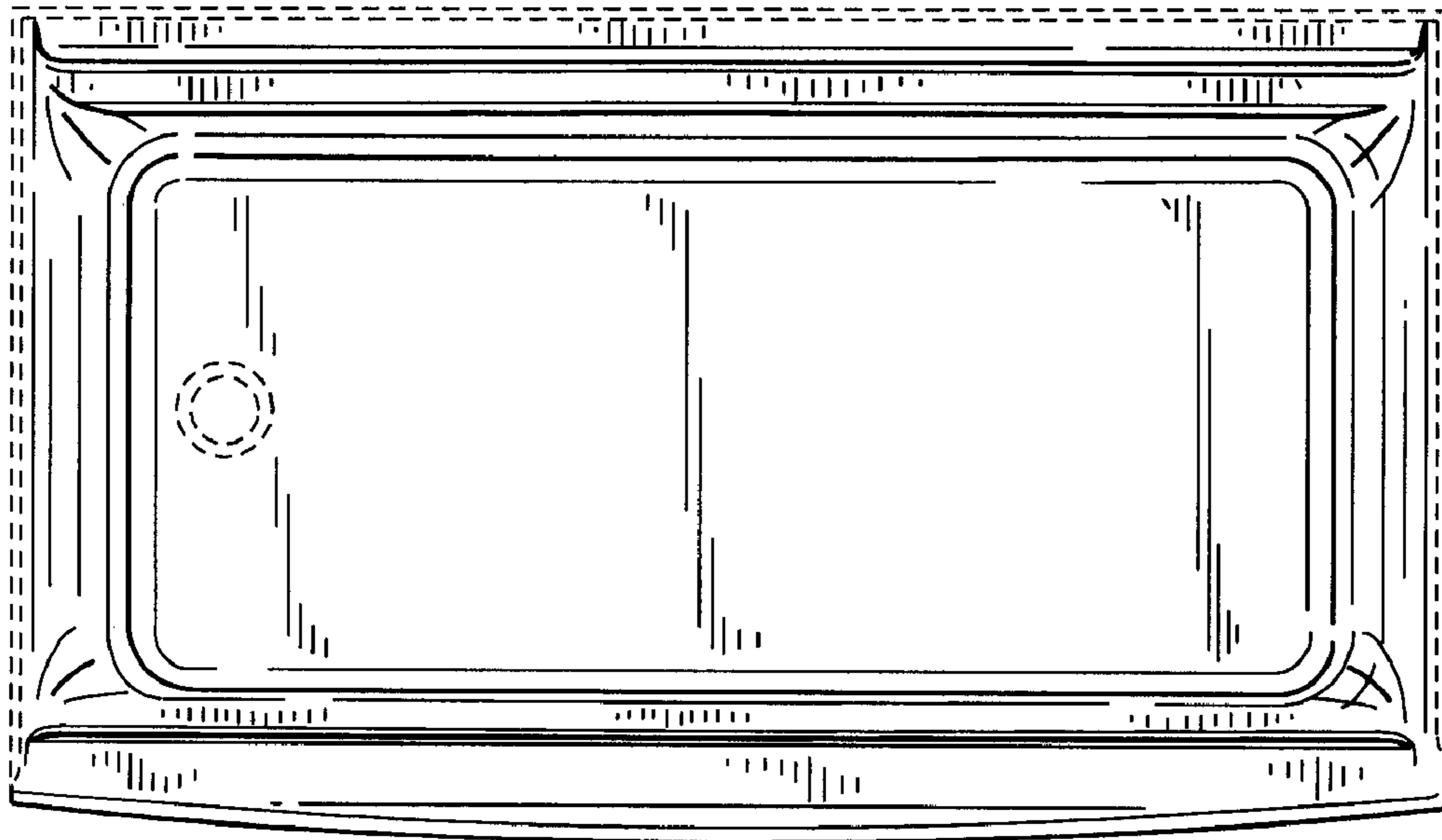


FIG. 9

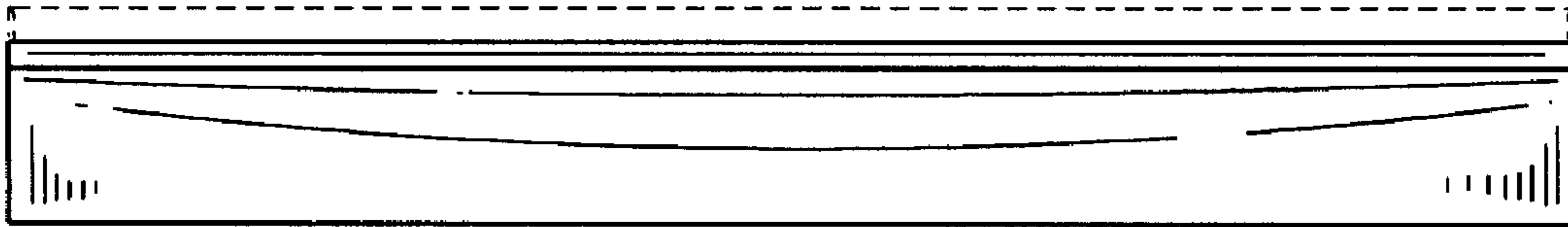


FIG. 10

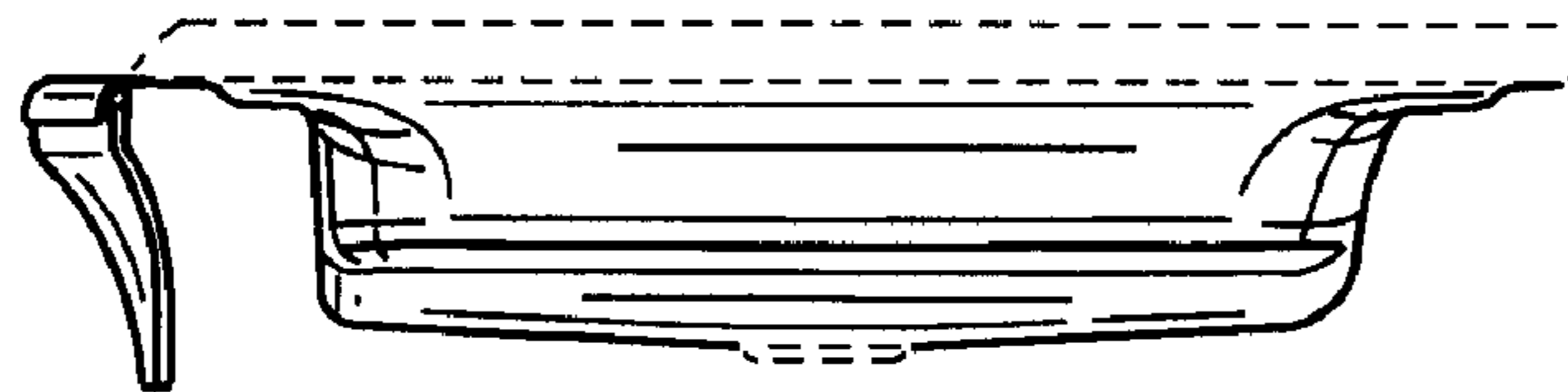


FIG. 11

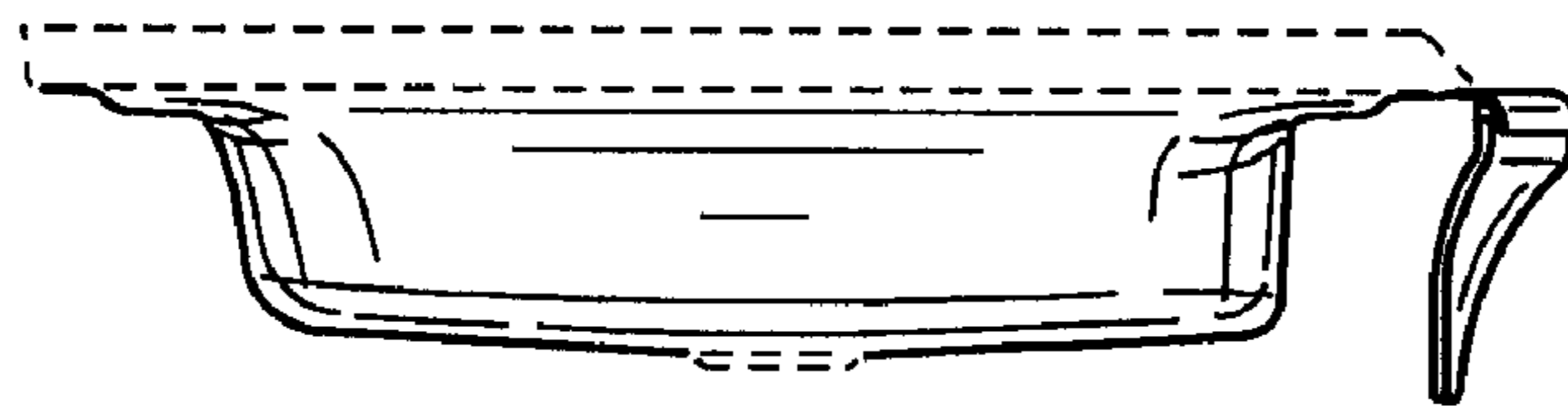
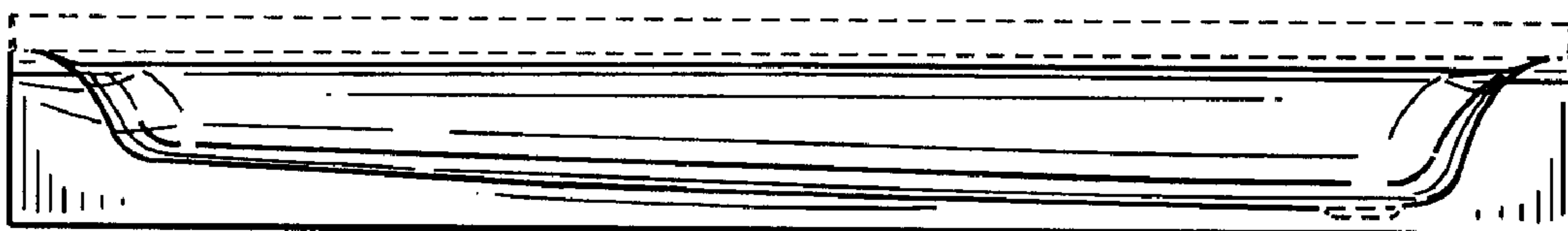


FIG. 12



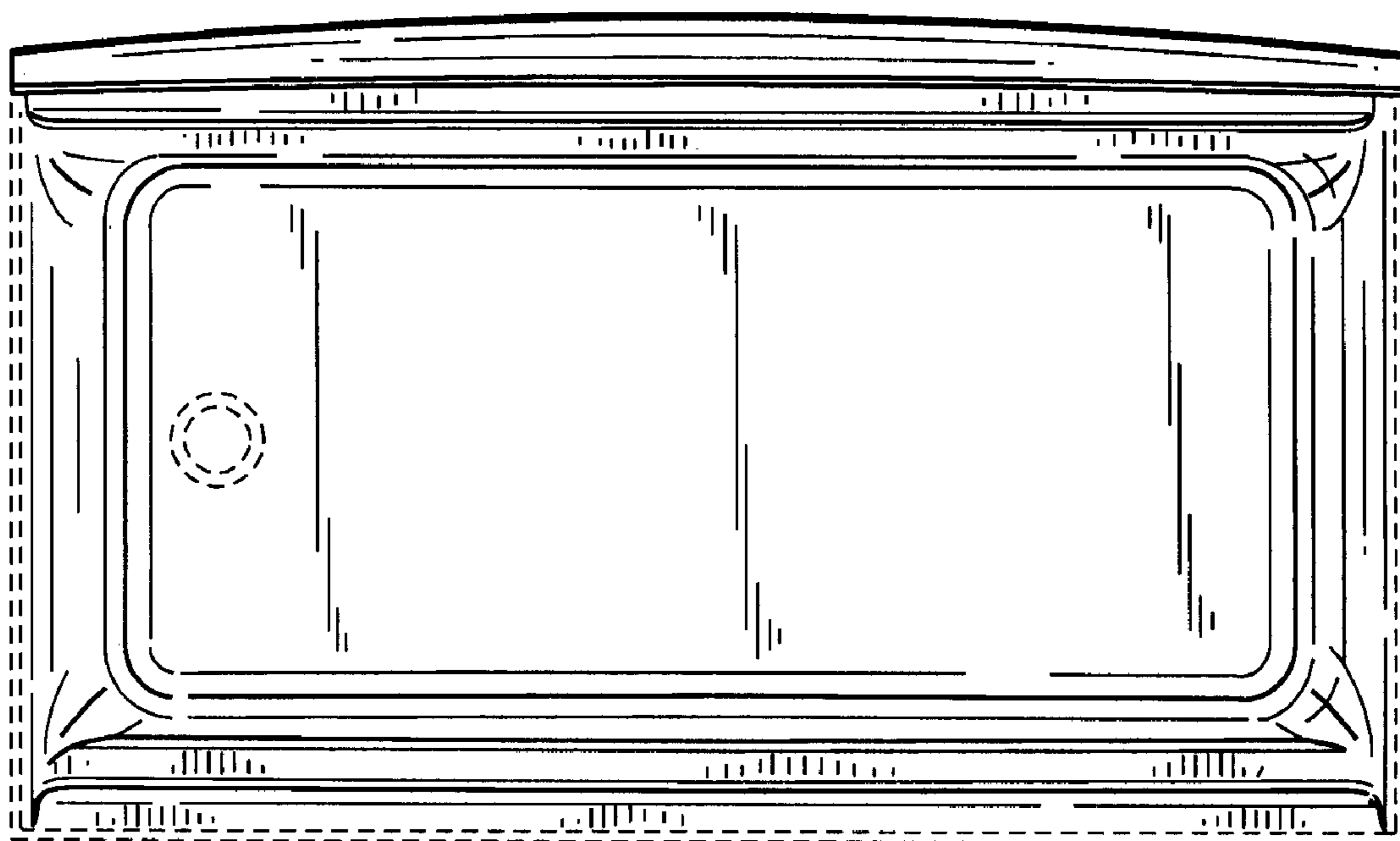


FIG. 13

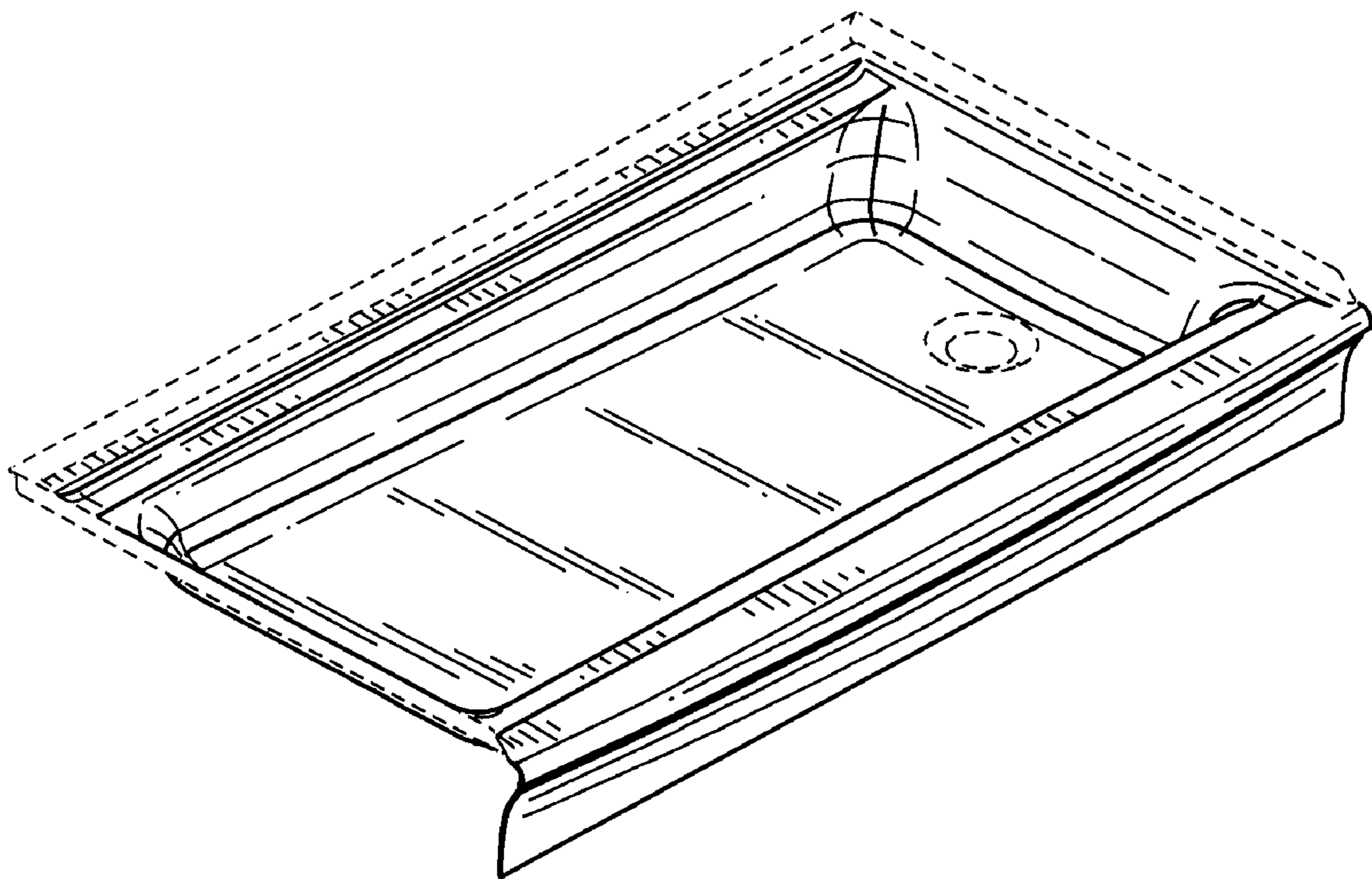


FIG. 14