



US00D565155S

(12) **United States Design Patent**  
**Müllenmeister et al.**

(10) **Patent No.:** **US D565,155 S**

(45) **Date of Patent:** **\*\* Mar. 25, 2008**

(54) **SHOWER HEAD**

(75) Inventors: **Daniel Müllenmeister**, Havixbeck (DE); **Paul Flowers**, Düsseldorf (DE)

(73) Assignee: **Grohe AG**, Hemmer (DE)

(\*\*) Term: **14 Years**

(21) Appl. No.: **29/286,202**

(22) Filed: **Apr. 26, 2007**

(30) **Foreign Application Priority Data**

Oct. 27, 2006 (DE) ..... 000612759

(51) **LOC (8) Cl.** ..... **23-01**

(52) **U.S. Cl.** ..... **D23/229**

(58) **Field of Classification Search** ..... D23/213,  
D23/229-230, 223

See application file for complete search history.

(56) **References Cited**

**U.S. PATENT DOCUMENTS**

D463,528 S \* 9/2002 Ouyoung ..... D23/230

D475,433 S \* 6/2003 Citterio ..... D23/213  
D538,390 S \* 3/2007 Sallick et al. .... D23/213  
D549,302 S \* 8/2007 Haug et al. .... D23/213

\* cited by examiner

*Primary Examiner*—Robin V Webster

(74) *Attorney, Agent, or Firm*—Andrew Wilford

(57) **CLAIM**

The ornamental design for a shower head, as shown and described.

**DESCRIPTION**

FIG. 1 is a perspective view from above of the shower head according to the invention;

FIG. 2 is a top view of the shower head;

FIG. 3 is a right-side view of the shower head, the left side being a mirror image;

FIG. 4 is a bottom view of the shower head; and,

FIGS. 5 and 6 being rear and front end views of the shower head.

**1 Claim, 3 Drawing Sheets**

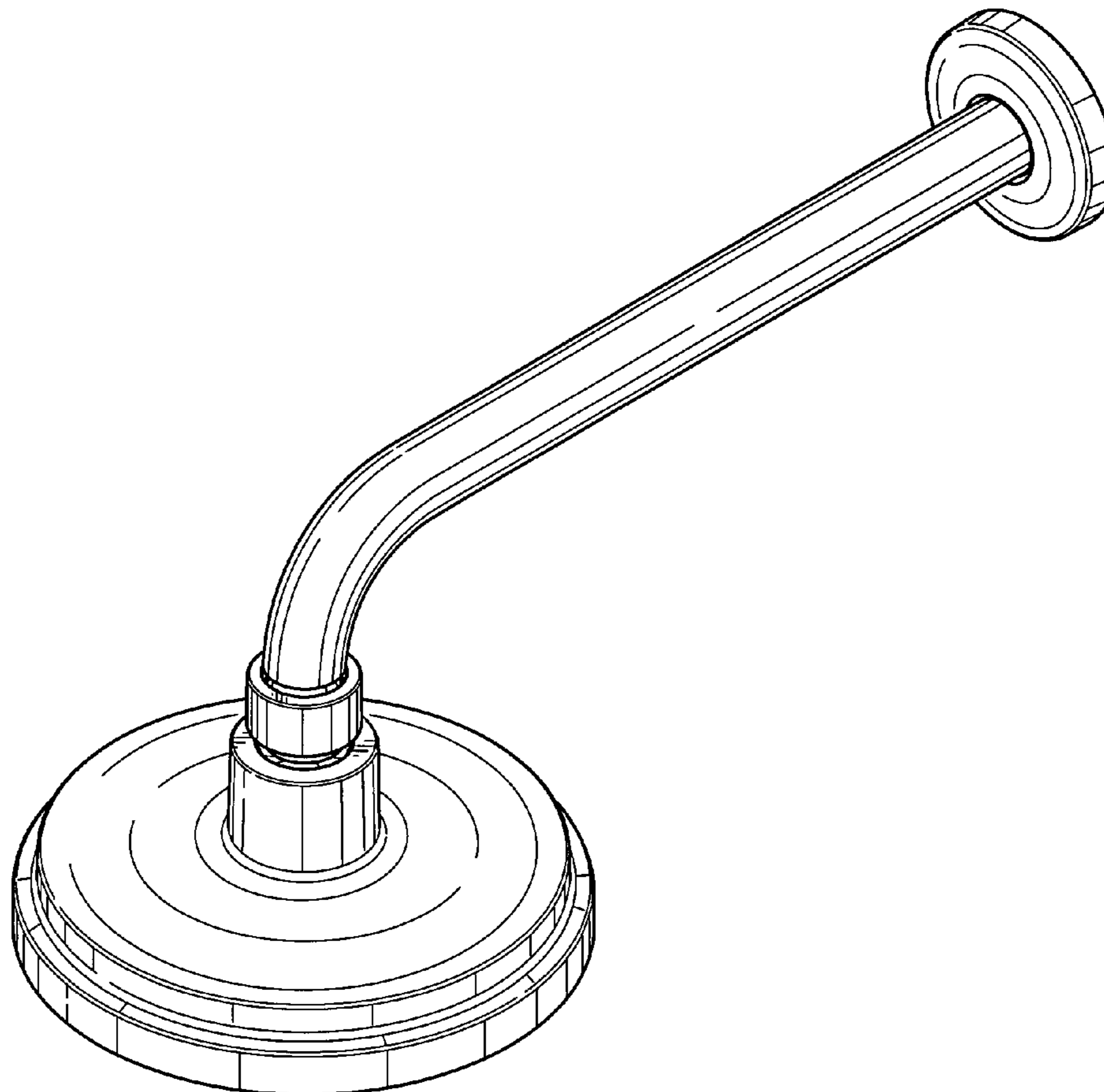
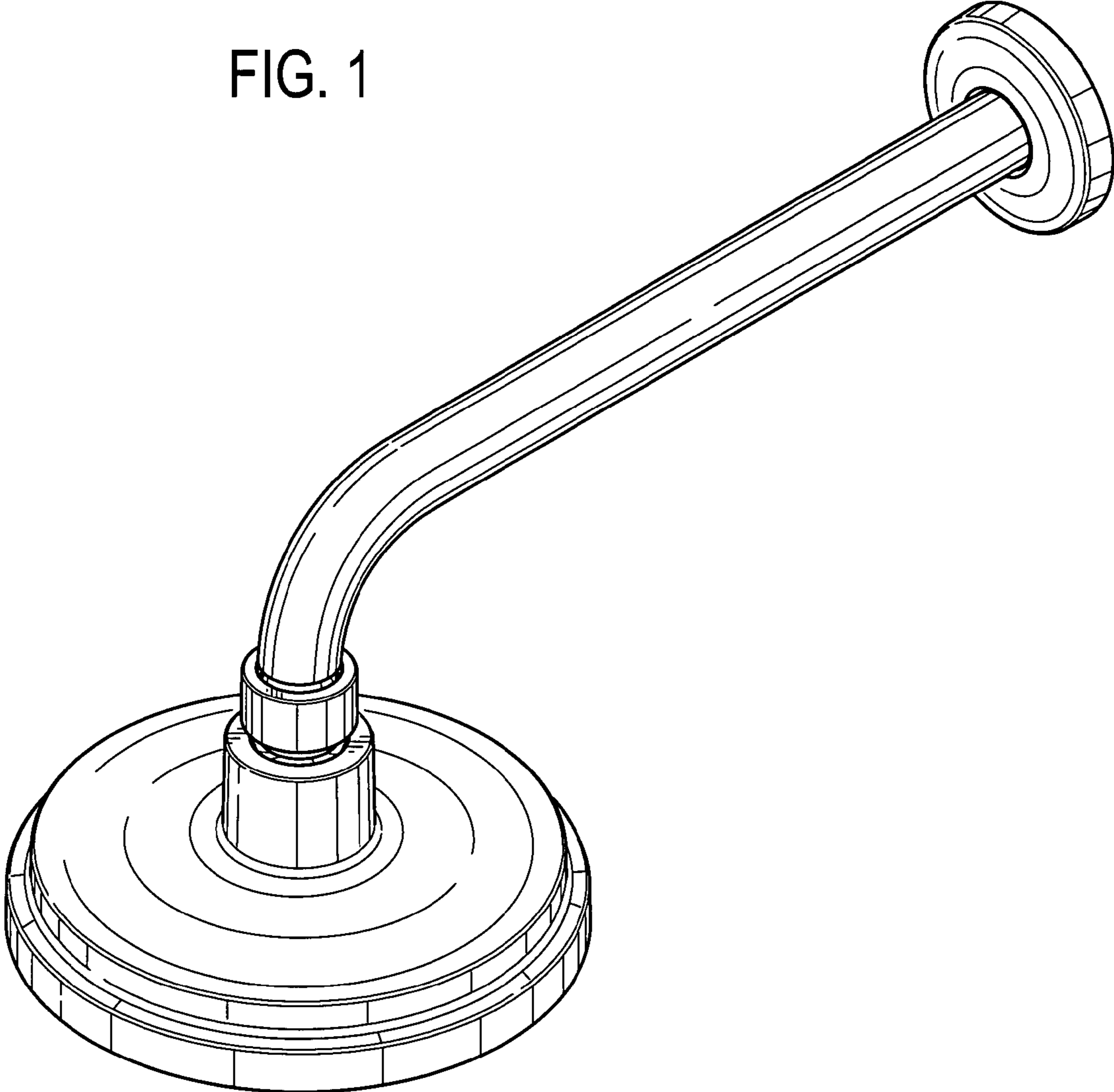


FIG. 1



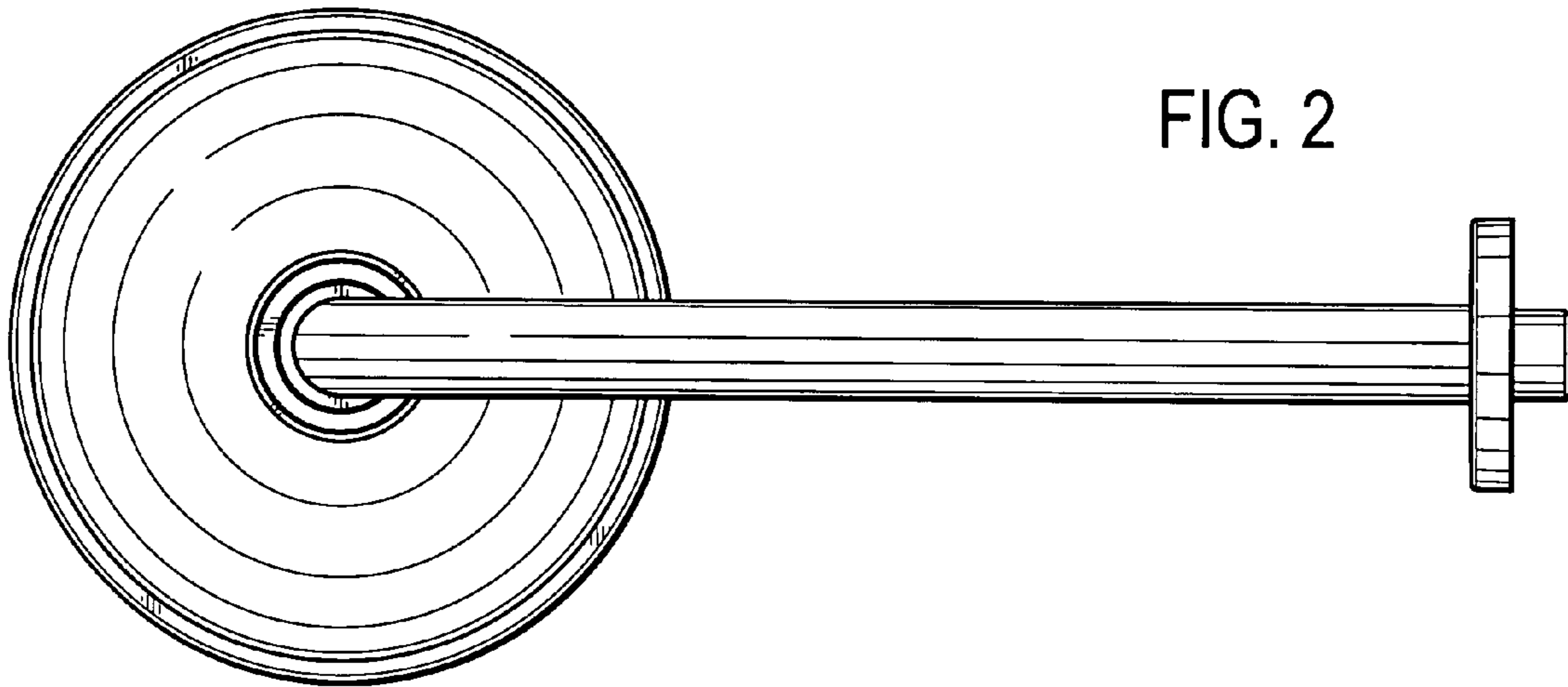


FIG. 2

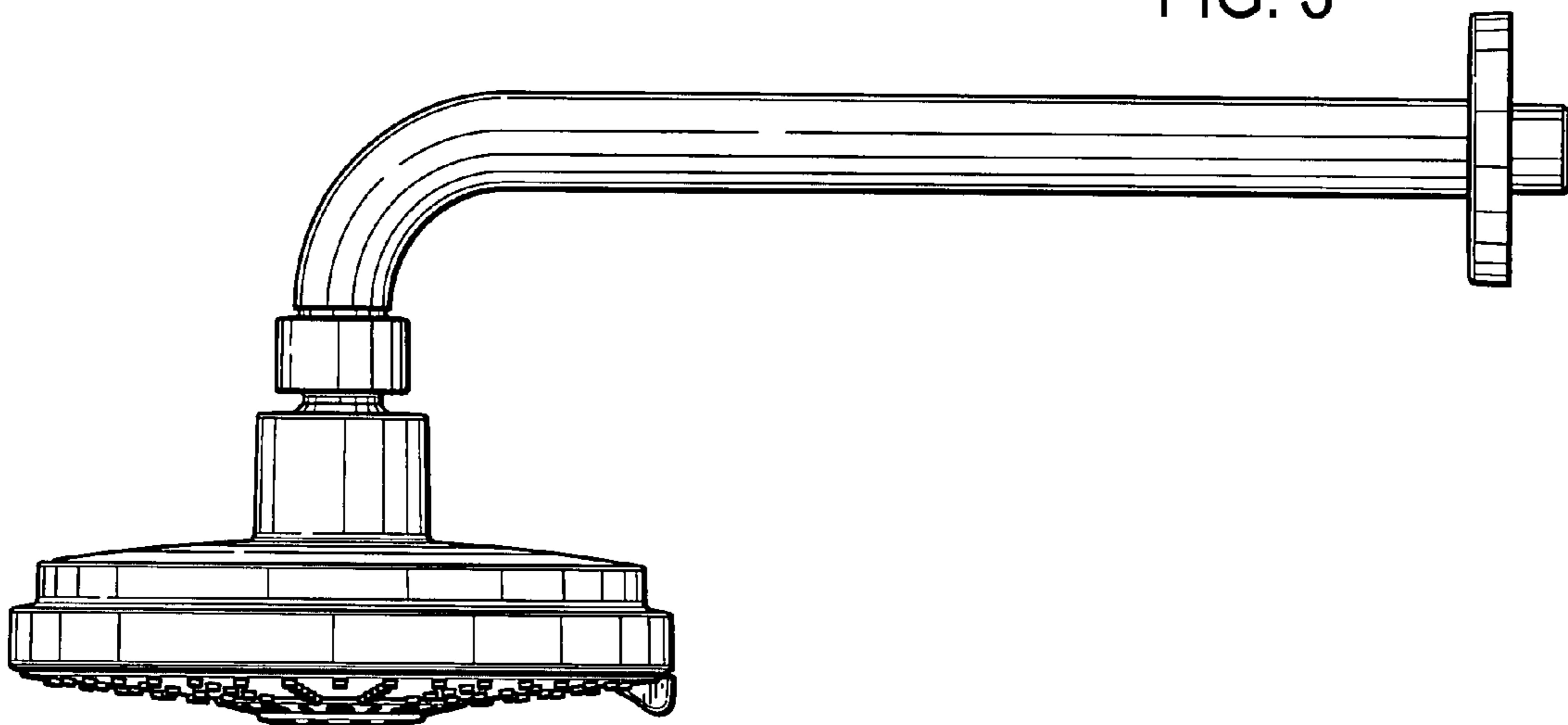


FIG. 3

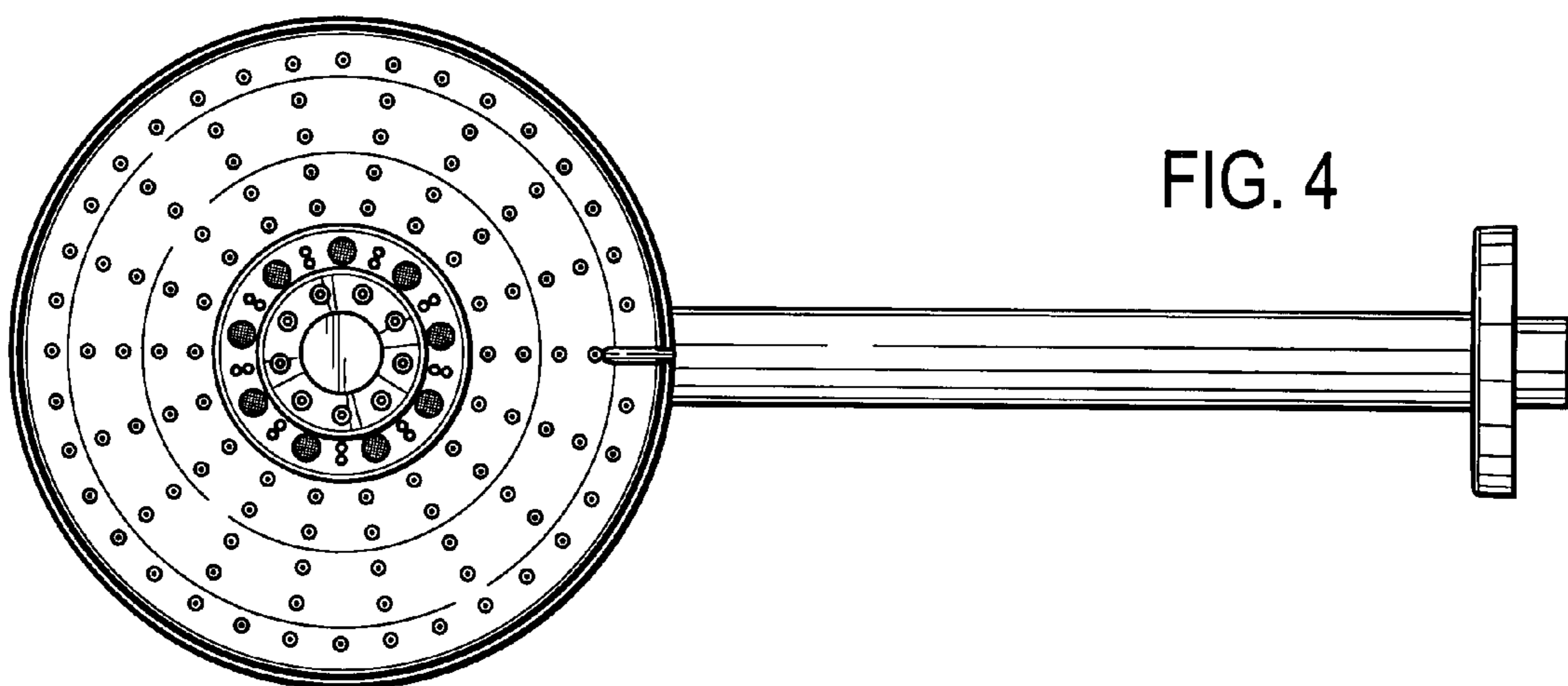


FIG. 4

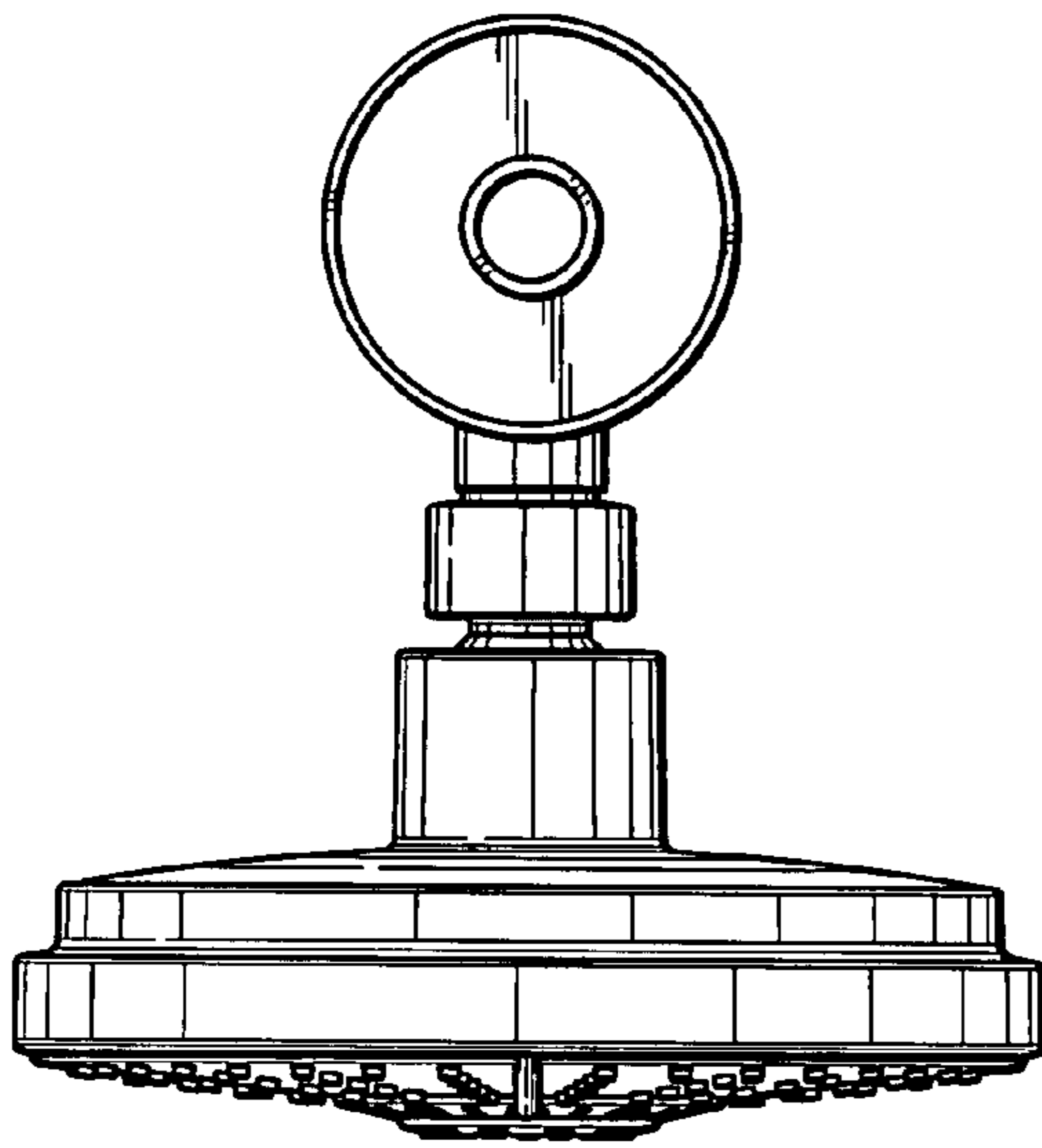


FIG. 5

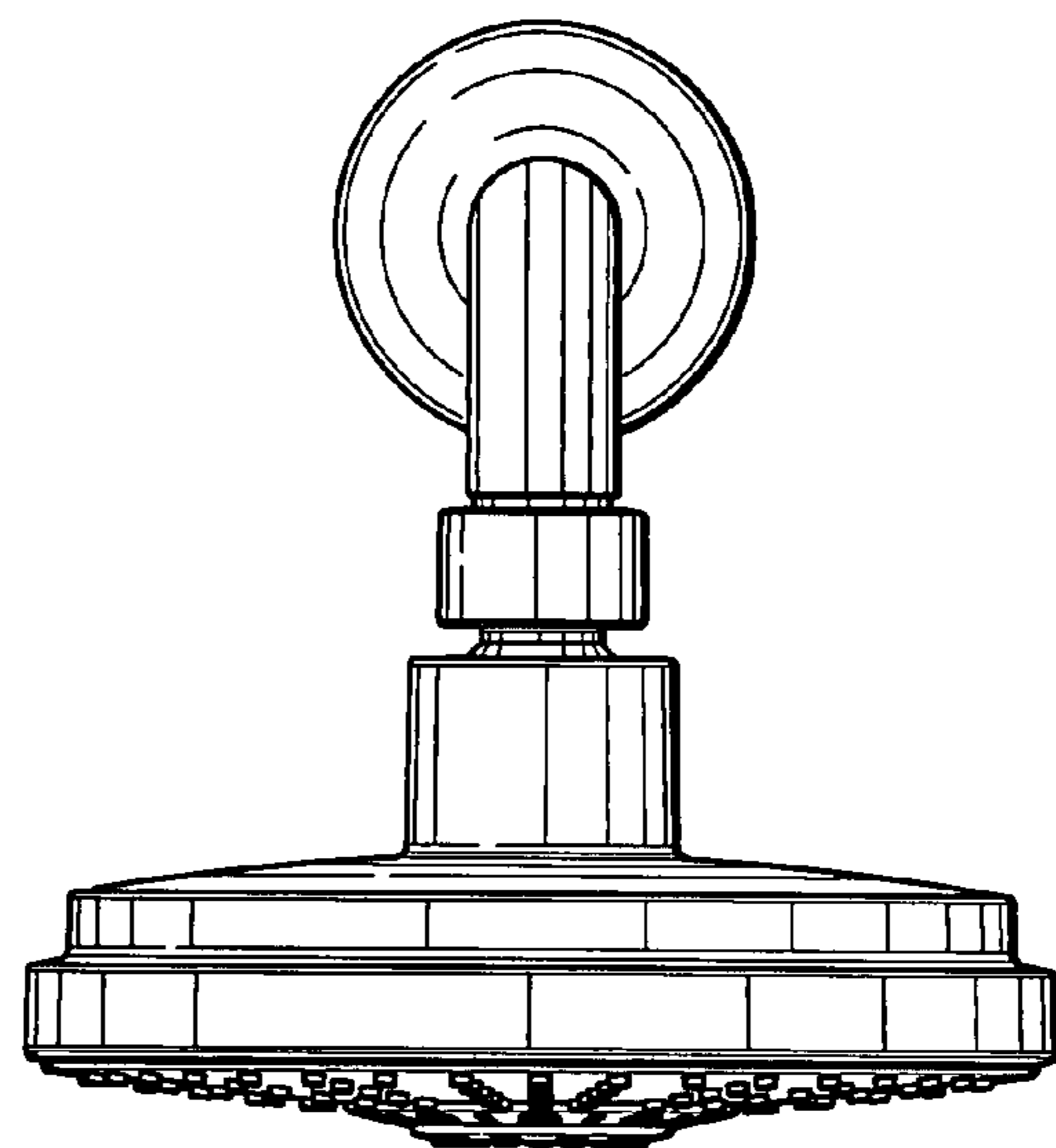


FIG. 6