

US00D565154S

(12) **United States Design Patent**
Huang

(10) **Patent No.:** **US D565,154 S**

(45) **Date of Patent:** **** Mar. 25, 2008**

(54) **SPRAY GUN**

6,805,306 B1 * 10/2004 Huang 239/375
D519,603 S * 4/2006 Schumann et al. D23/225

(76) Inventor: **Jung-Kun Huang**, P.O. Box 697,
Fongyuan City, Taichung County (TW)
420

* cited by examiner

Primary Examiner—Robin V Webster

(**) Term: **14 Years**

(57) **CLAIM**

(21) Appl. No.: **29/265,845**

The ornamental design for a spray gun, as shown.

(22) Filed: **Sep. 11, 2006**

DESCRIPTION

(51) **LOC (8) Cl.** **23-01**

(52) **U.S. Cl.** **D23/225**

(58) **Field of Classification Search** D23/213,
D23/225; 239/302, 318, 332, 375, DIG. 14
See application file for complete search history.

FIG. 1 is a perspective view of a spray gun showing my new design;

FIG. 2 is a right side elevational view thereof;

FIG. 3 is a top plan view thereof;

FIG. 4 is a front elevational view thereof;

FIG. 5 is a bottom plan view thereof;

FIG. 6 is a left side elevational view thereof; and,

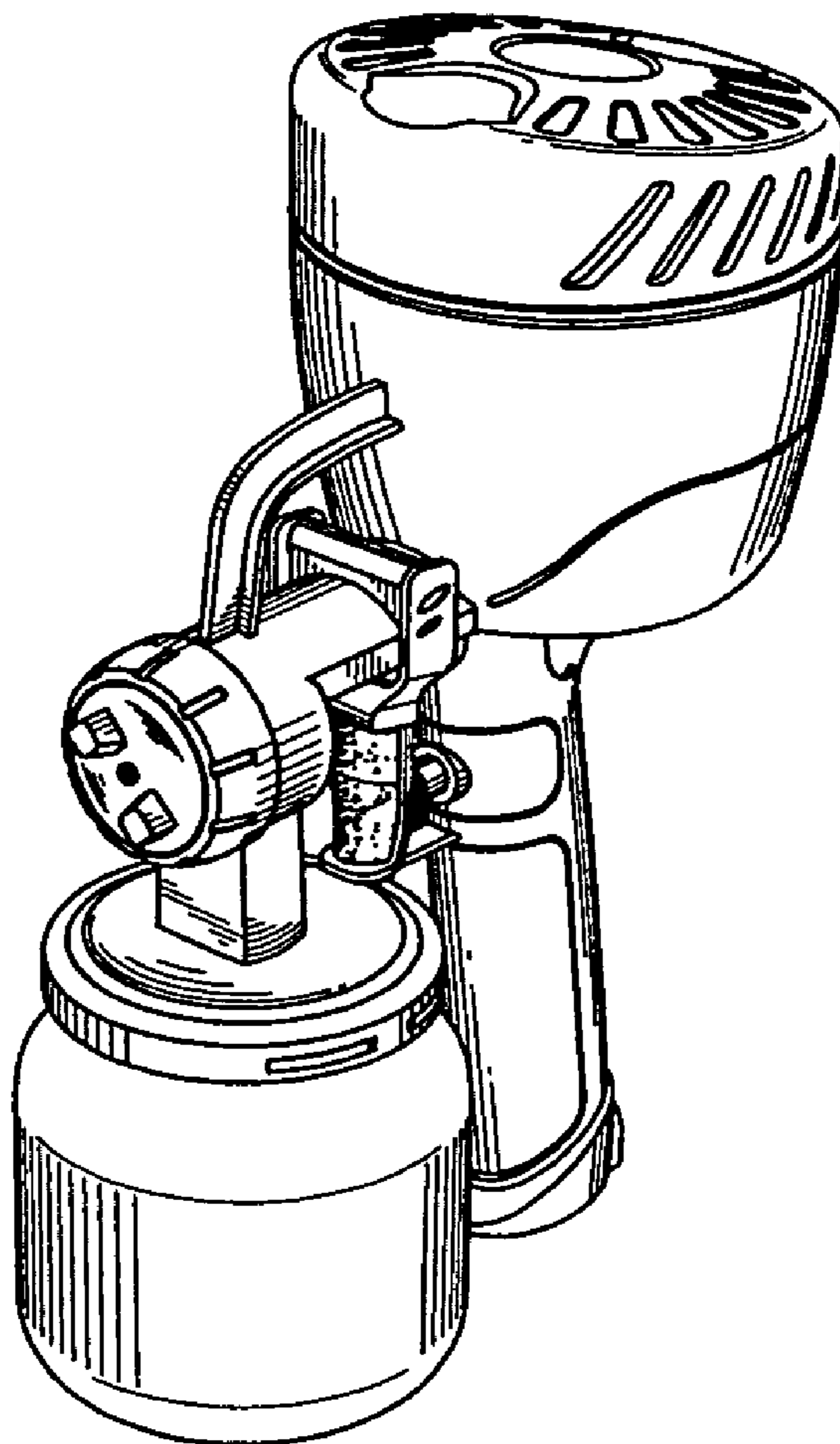
FIG. 7 is a rear elevational view thereof.

(56) **References Cited**

U.S. PATENT DOCUMENTS

D237,796 S * 11/1975 Wagner D23/225
4,687,140 A * 8/1987 Hasegawa 239/332
4,693,423 A * 9/1987 Roe et al. 239/332
D477,384 S * 7/2003 Williams et al. D23/225

1 Claim, 4 Drawing Sheets



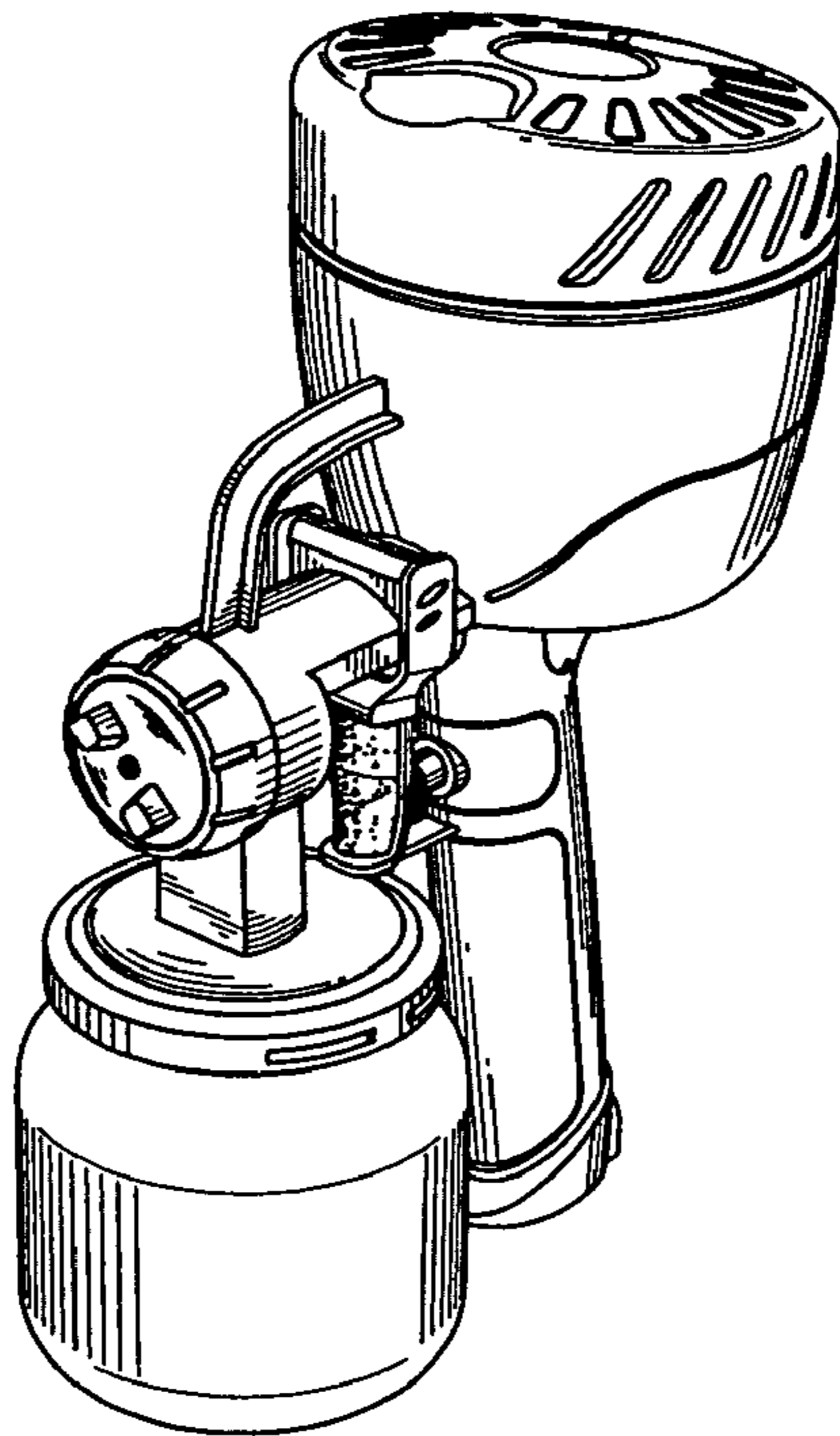


FIG. 1

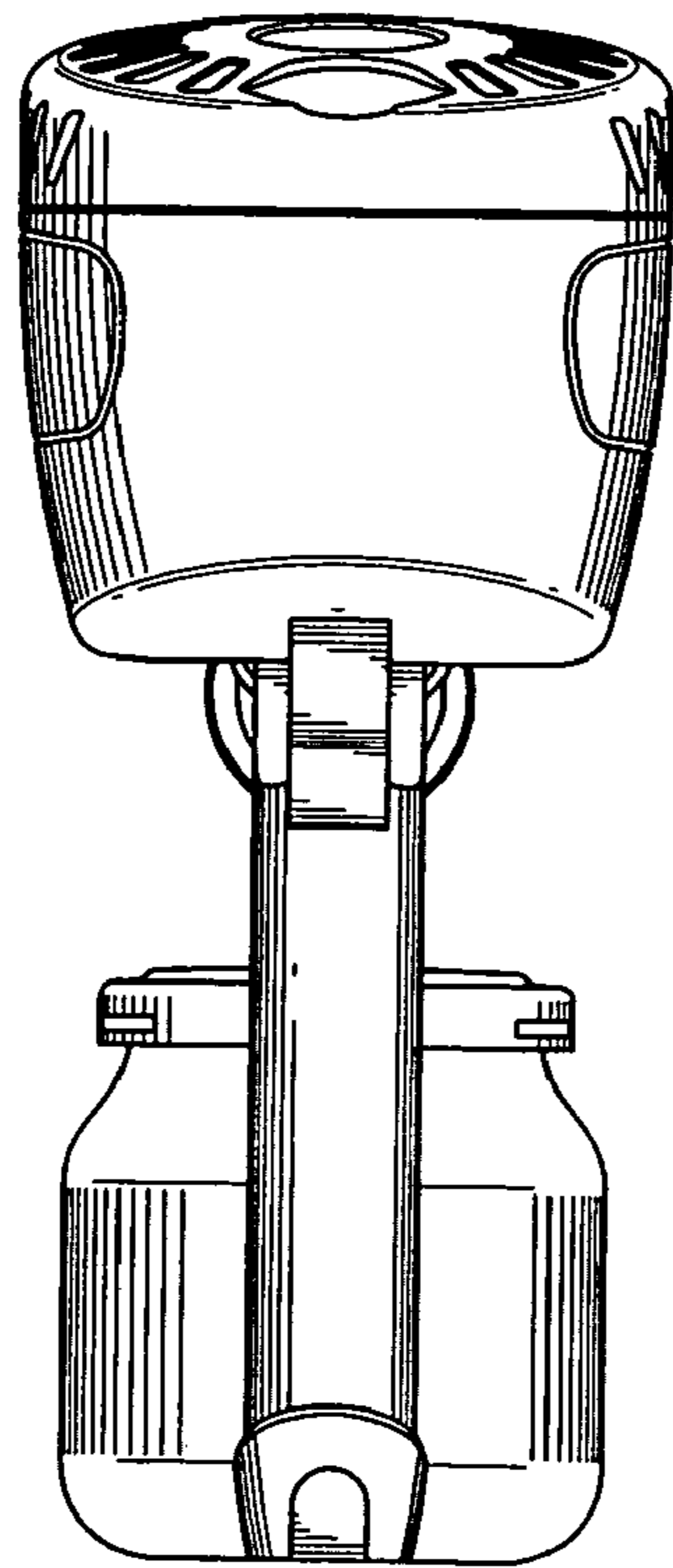


FIG. 2

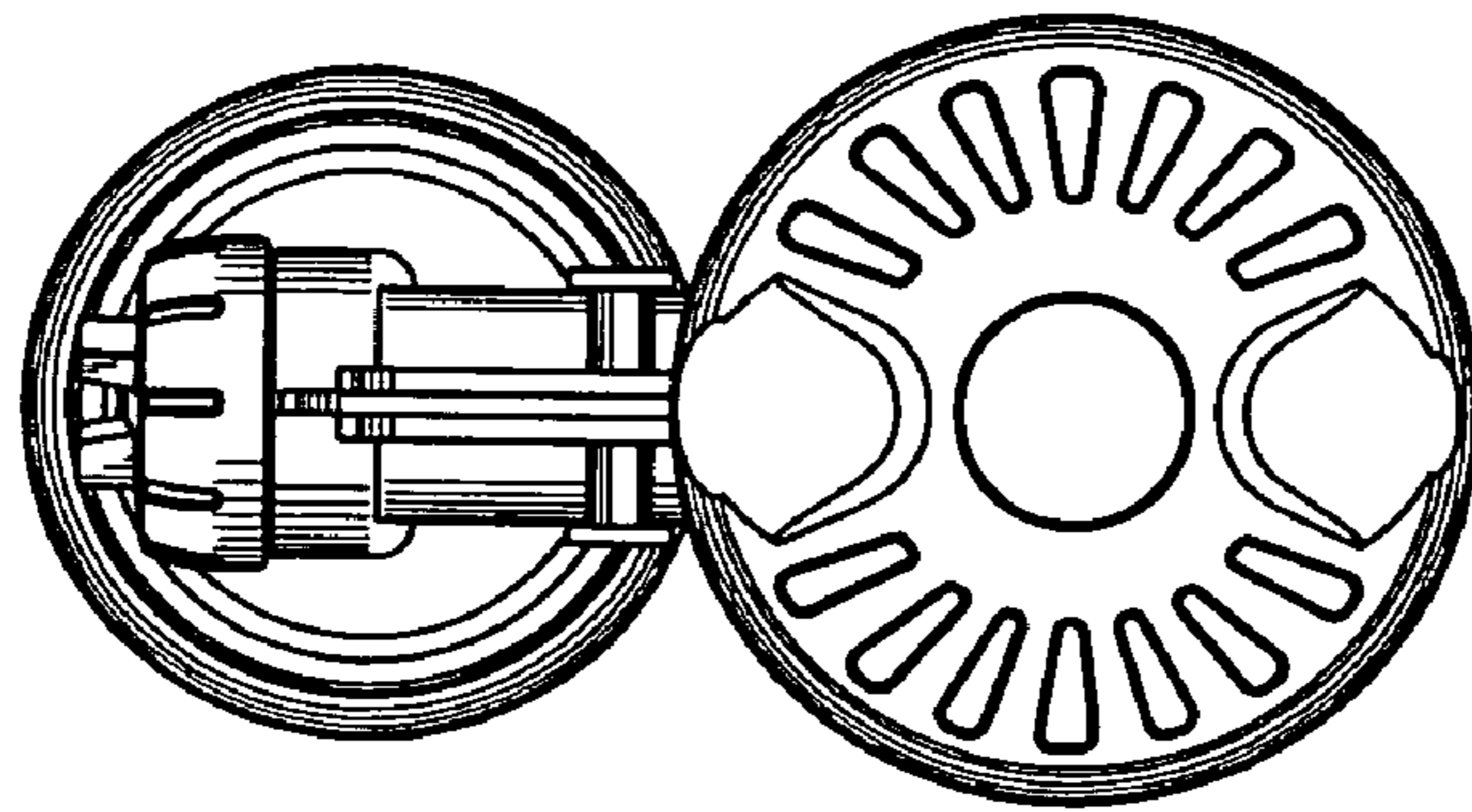


FIG. 3

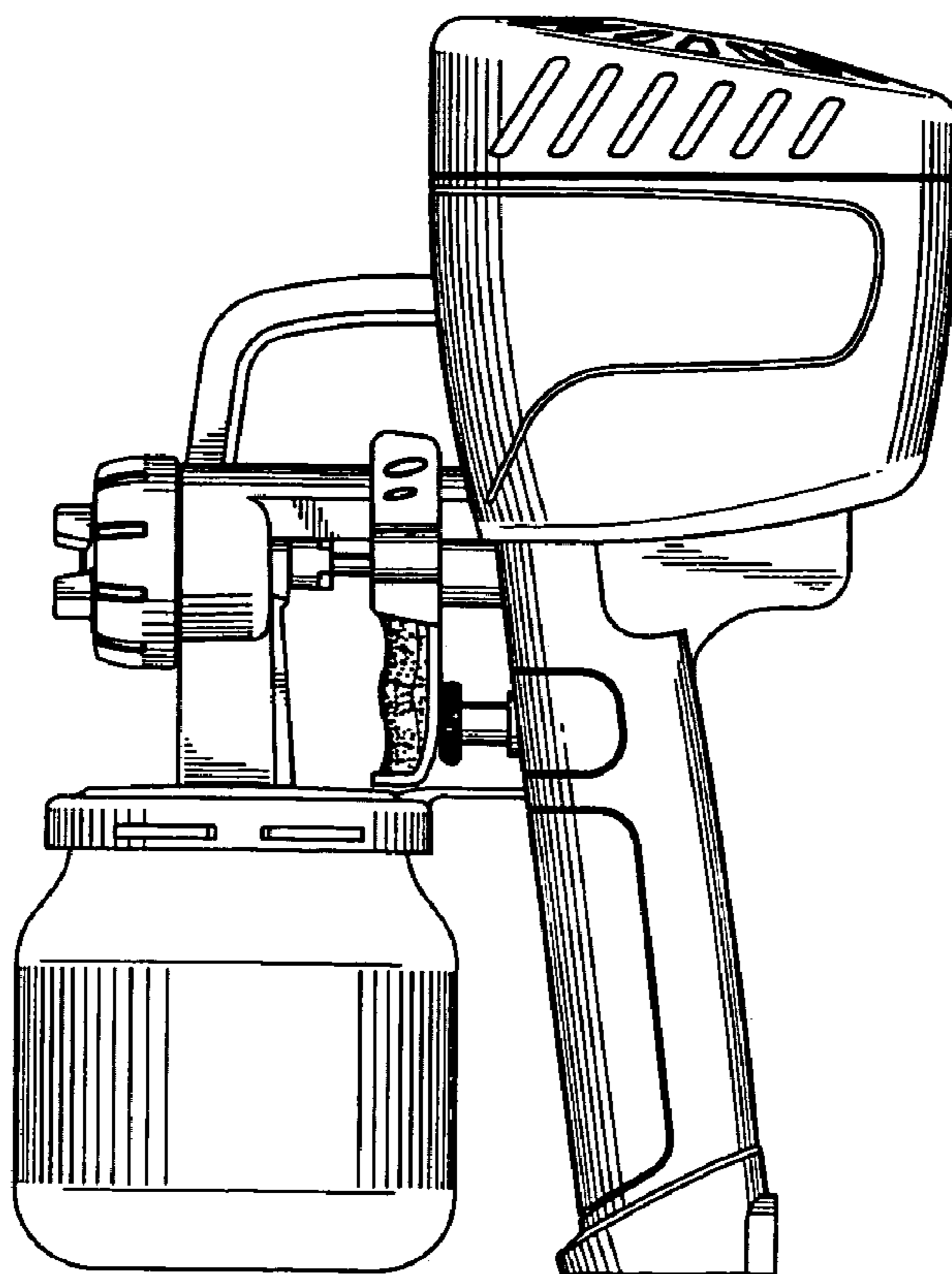


FIG. 4

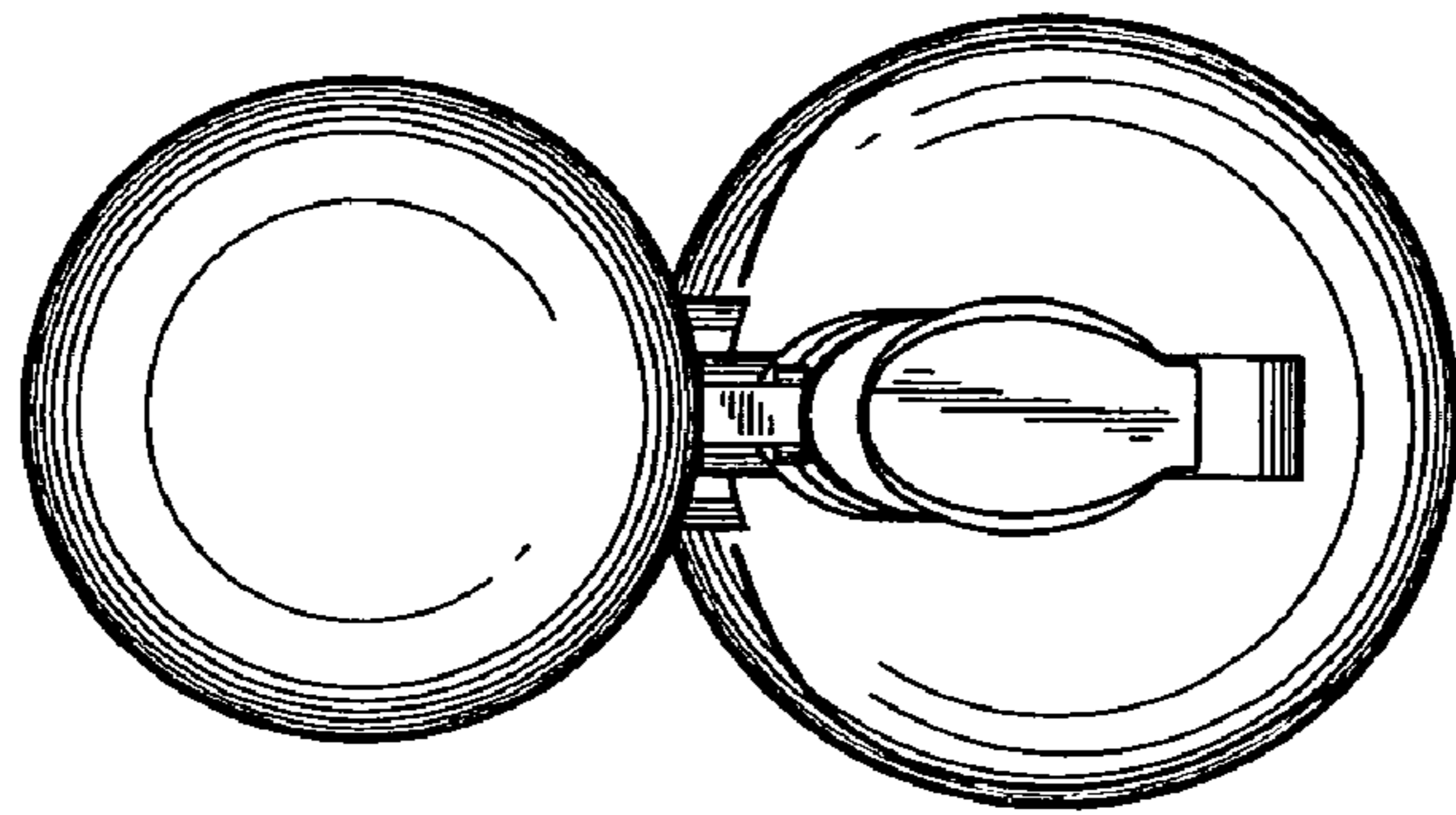


FIG. 5

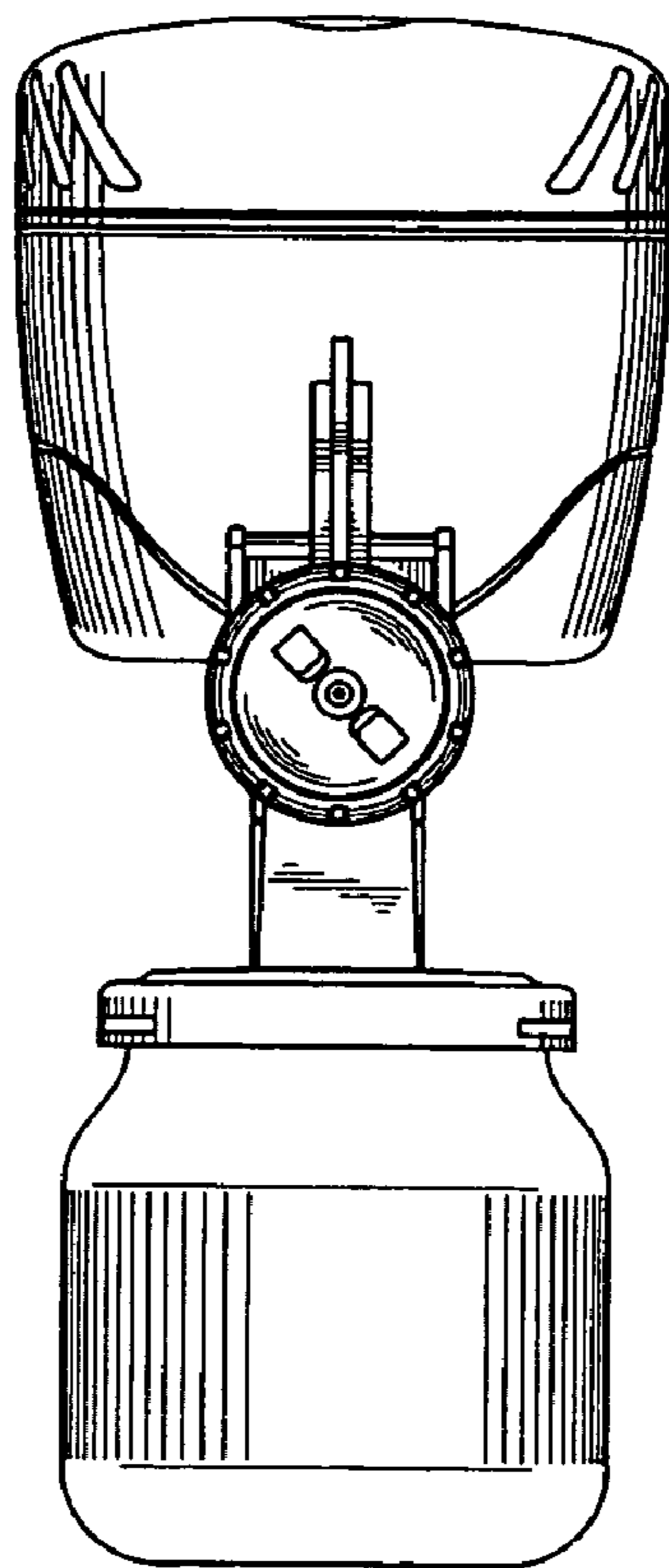


FIG. 6

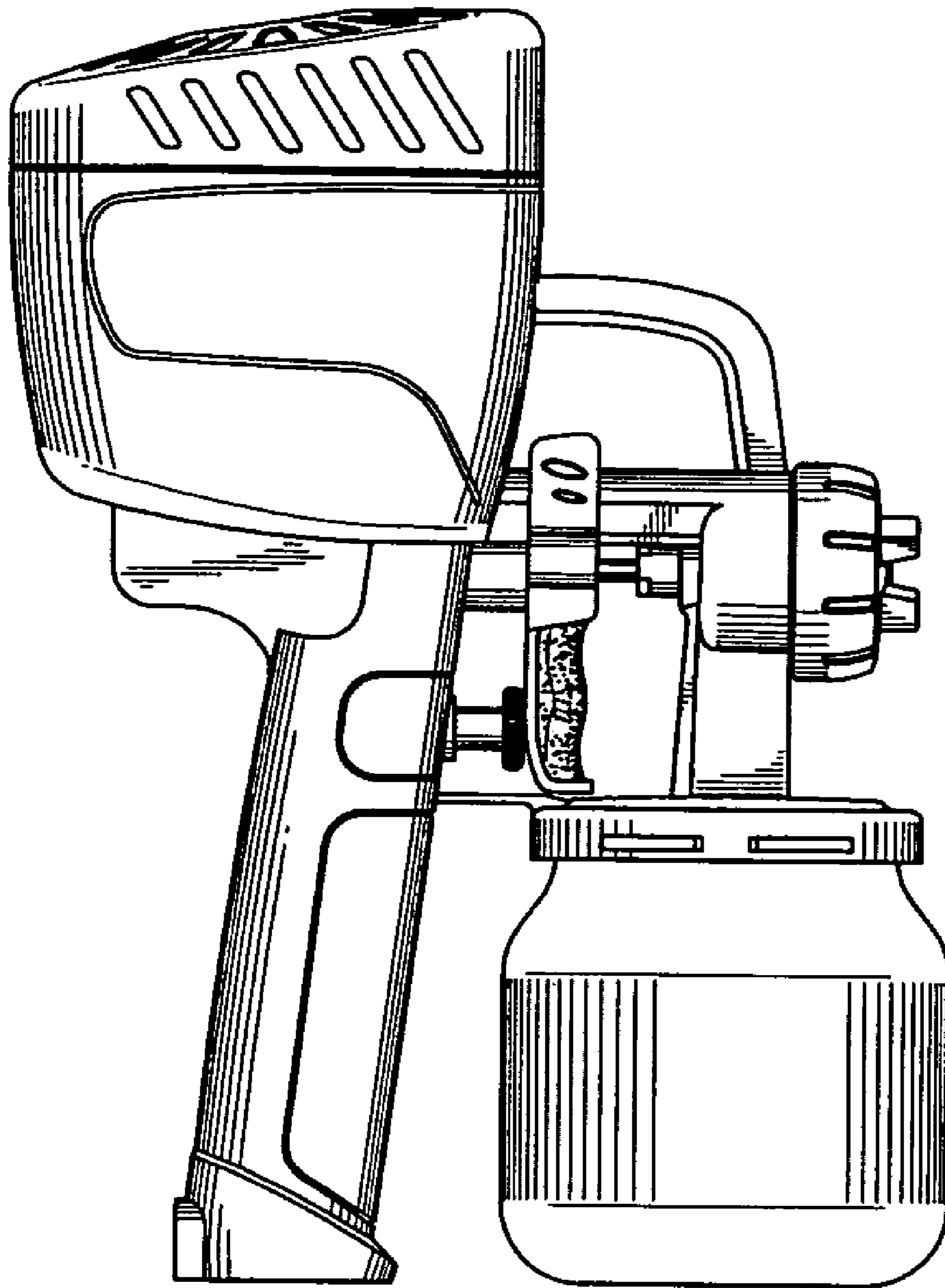


FIG. 7