

US00D565153S

(12) **United States Design Patent**
Downey et al.

(10) **Patent No.:** **US D565,153 S**
(45) **Date of Patent:** **** Mar. 25, 2008**

(54) **SAFETY AIR GUN**

D505,712 S * 5/2005 Huang D23/223
D507,630 S * 7/2005 Huang D23/223

(75) Inventors: **William T. Downey**, Boston, MA (US);
Mark W. Yorns, Longmeadow, MA
(US)

* cited by examiner

Primary Examiner—Robin V Webster

(73) Assignee: **Guardair Corporation**, Chicopee, MA
(US)

(74) *Attorney, Agent, or Firm*—Scott E. Kamholz; Foley
Hoag LLP

(**) Term: **14 Years**

(57) **CLAIM**

(21) Appl. No.: **29/275,784**

The ornamental design for a safety air gun, as shown and
described.

(22) Filed: **Jan. 5, 2007**

DESCRIPTION

(51) **LOC (8) Cl.** **23-01**

FIG. 1 is a perspective view of a safety air gun showing the
design;

(52) **U.S. Cl.** **D23/223**

FIG. 2 is a top plan view thereof;

(58) **Field of Classification Search** D23/213,
D23/223, 226; 239/525–527, 290–291, 690–691
See application file for complete search history.

FIG. 3 is a bottom plan view thereof;

(56) **References Cited**

FIG. 4 is a left side elevation view thereof, the right side
being a mirror image thereof;

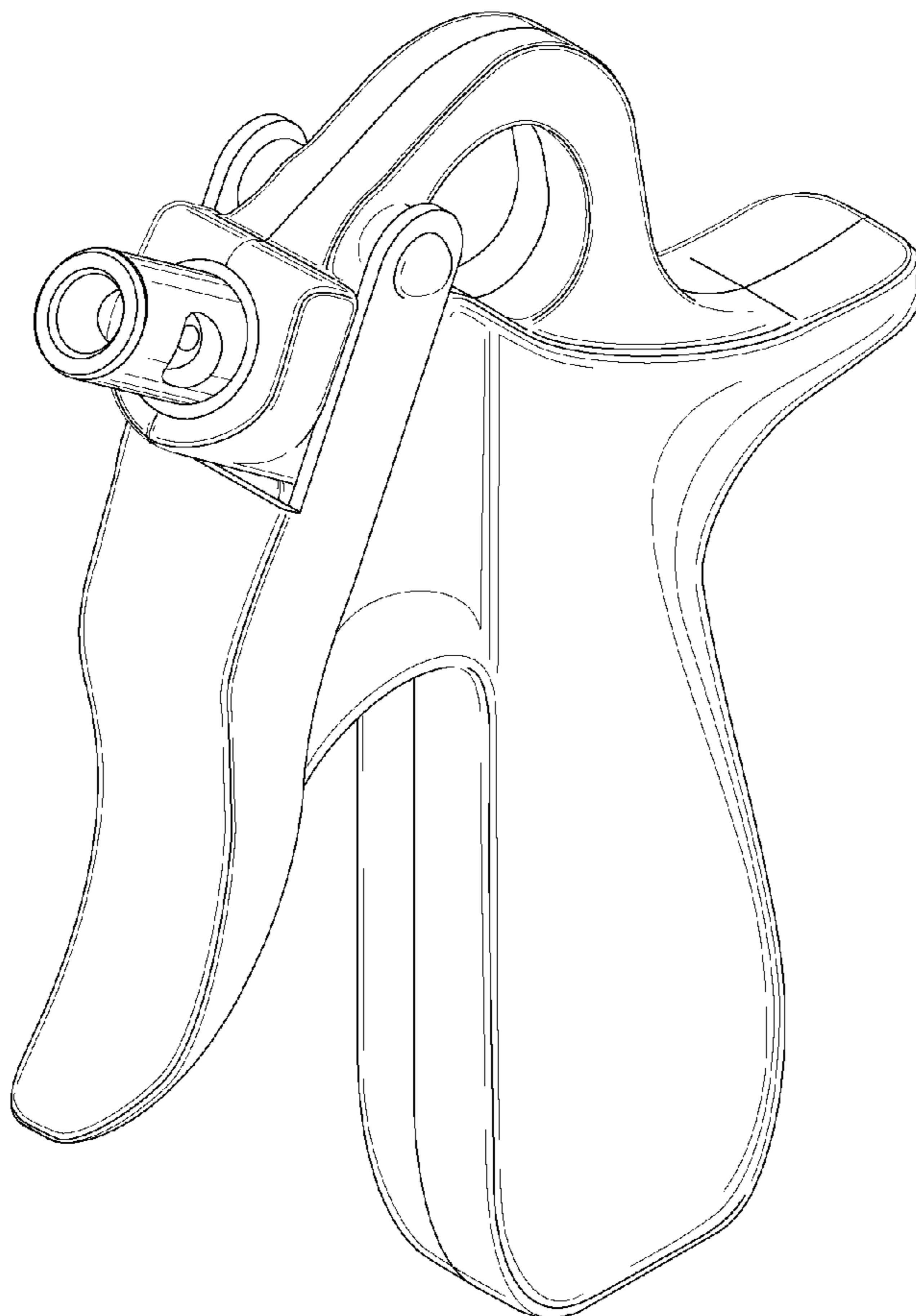
U.S. PATENT DOCUMENTS

FIG. 5 is a front elevation view of the design; and,

5,322,221 A * 6/1994 Anderson 239/291
6,467,705 B2 * 10/2002 Robidoux 239/697
D497,661 S * 10/2004 Chen D23/226

FIG. 6 is a rear elevation view thereof.

1 Claim, 4 Drawing Sheets



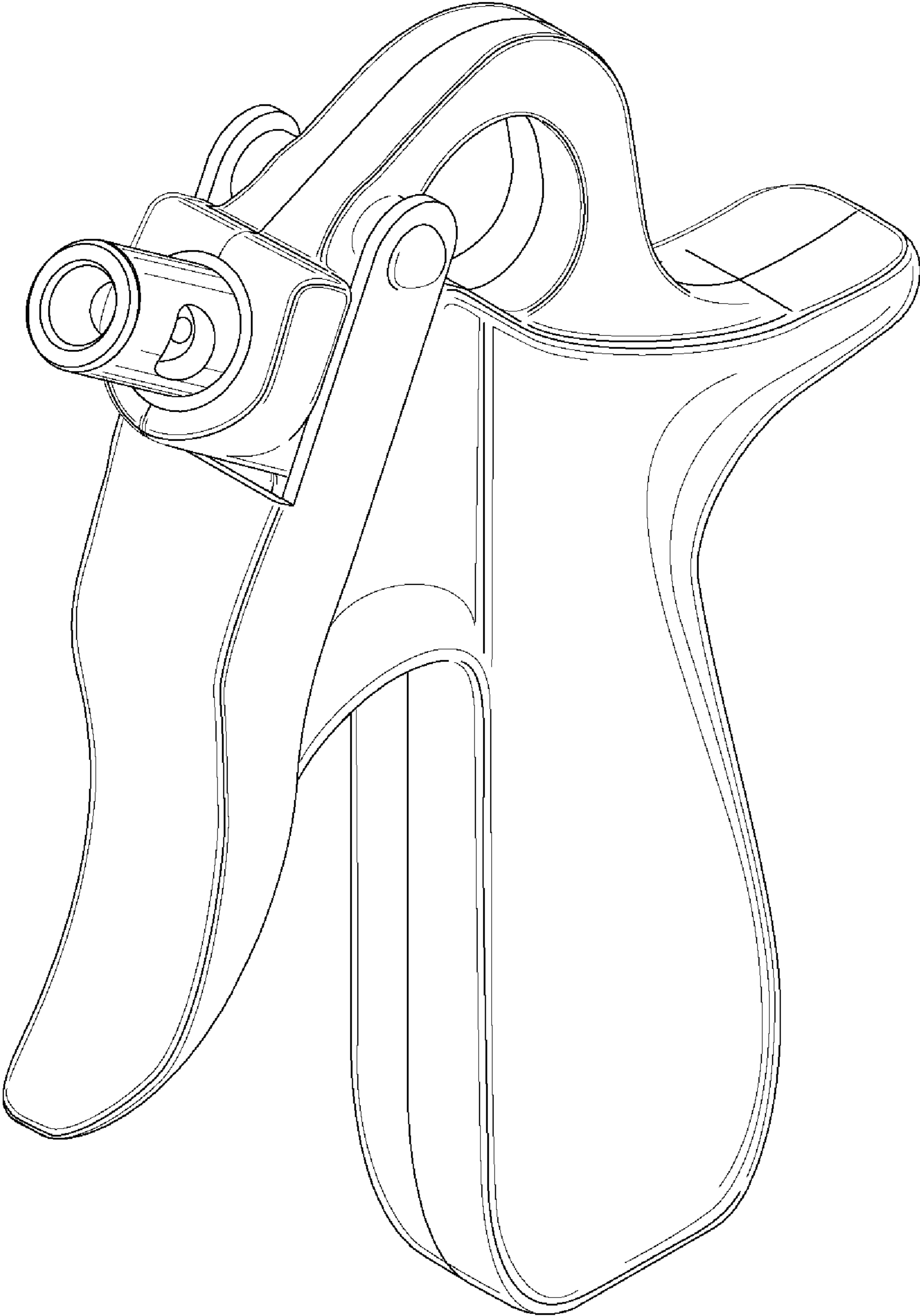


Fig. 1

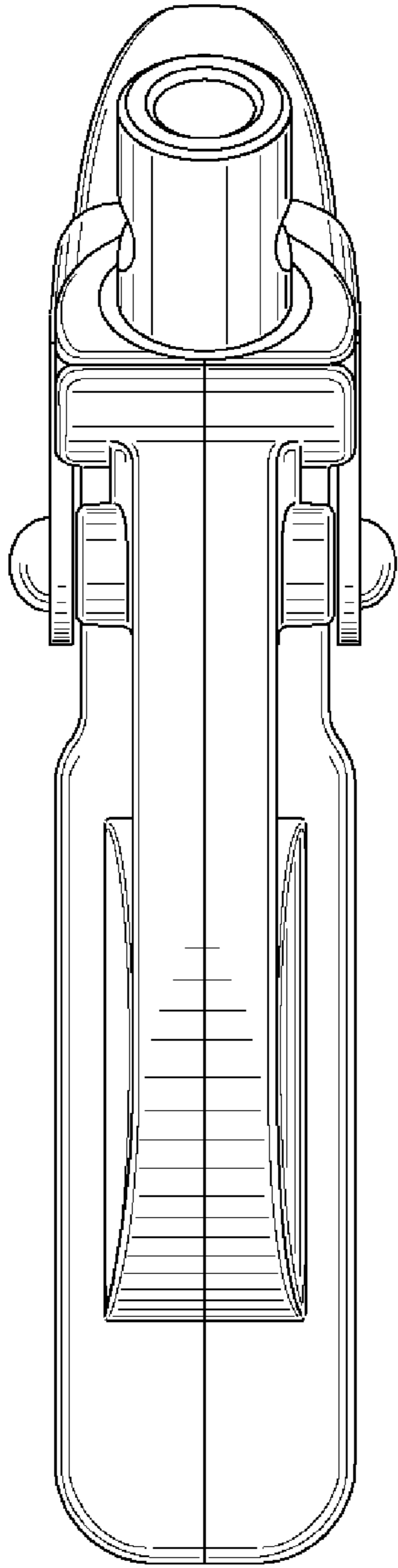


Fig. 2

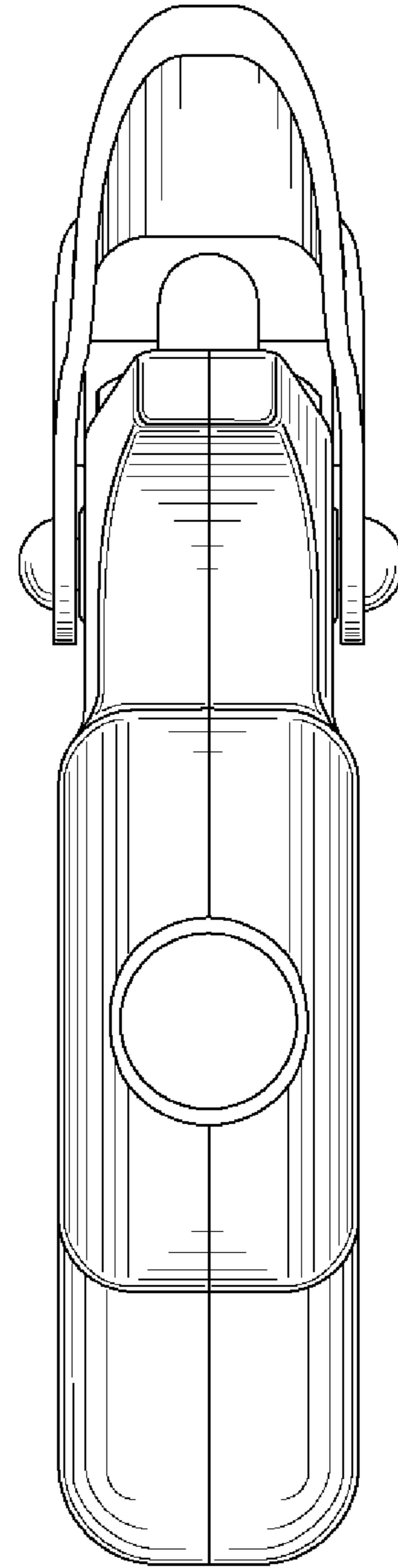


Fig. 3

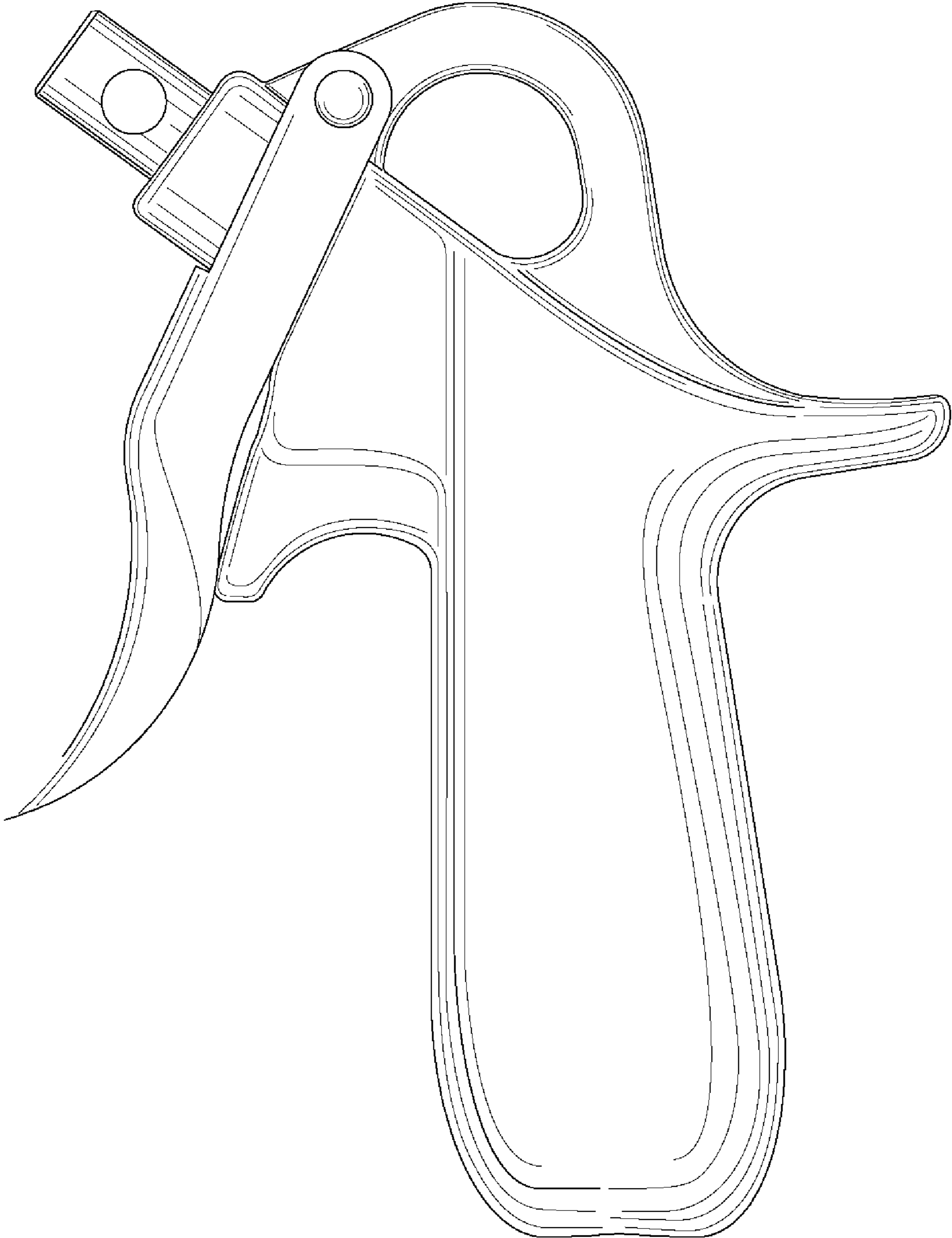


Fig. 4

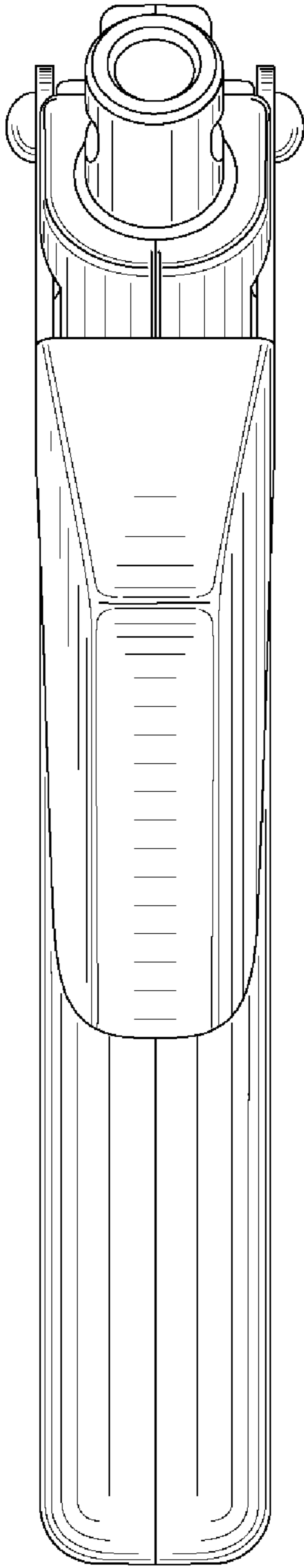


Fig. 5

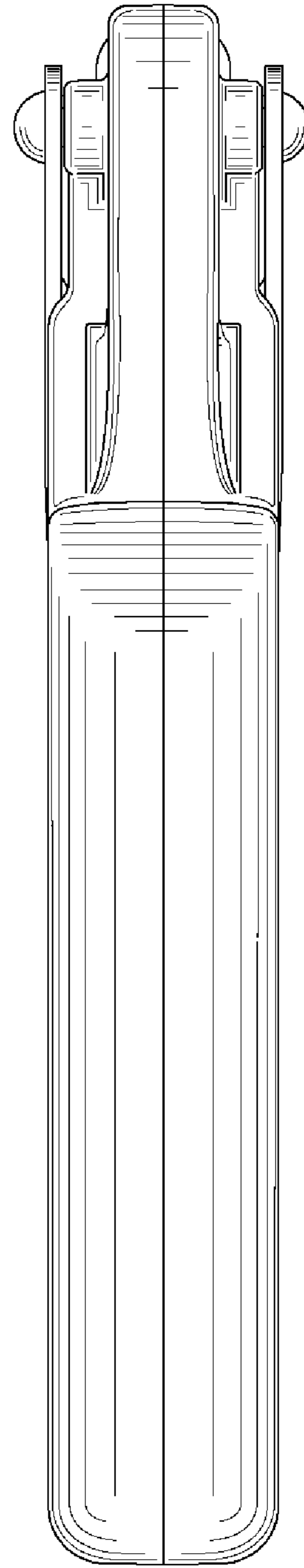


Fig. 6