



US00D565152S

(12) **United States Design Patent**
Woodward

(10) **Patent No.:** **US D565,152 S**
(45) **Date of Patent:** **** Mar. 25, 2008**

(54) **WASHER NOZZLE**

(75) Inventor: **Malcolm Woodward**, Worcester (GB)

(73) Assignee: **Breconcherry Limited**, Ledburg,
Herefordshire (GB)

(**) Term: **14 Years**

(21) Appl. No.: **29/293,663**

(22) Filed: **Dec. 6, 2007**

Related U.S. Application Data

(62) Division of application No. 29/253,501, filed on Feb. 7, 2006.

Foreign Application Priority Data

(30) Dec. 14, 2005 (EM) 000452123

(51) **LOC (8) Cl.** **23-01**

(52) **U.S. Cl.** **D23/213; D12/220**

(58) **Field of Classification Search** D23/212;
D12/220; 239/284.1, 284.2; 15/250.1; 285/214,
285/215

See application file for complete search history.

(56) **References Cited**

U.S. PATENT DOCUMENTS

D167,527 S * 8/1952 Neufeld D23/213

5,433,382 A * 7/1995 Baumgarten et al. 239/284.1
6,454,184 B1 * 9/2002 Merkel et al. 239/284.1
6,604,692 B2 * 8/2003 Utz et al. 239/284.1
7,014,131 B2 * 3/2006 Berning et al. 239/589.1
7,111,793 B2 * 9/2006 Maruyama et al. 239/284.1

* cited by examiner

Primary Examiner—Robin V Webster

(74) *Attorney, Agent, or Firm*—MacMillan, Sobanski & Todd, LLC

(57) **CLAIM**

The ornamental design for a washer nozzle, as shown.

DESCRIPTION

FIG. 1 is a top plan view of a washer nozzle embodying my design.

FIG. 2 is a first side elevational view thereof.

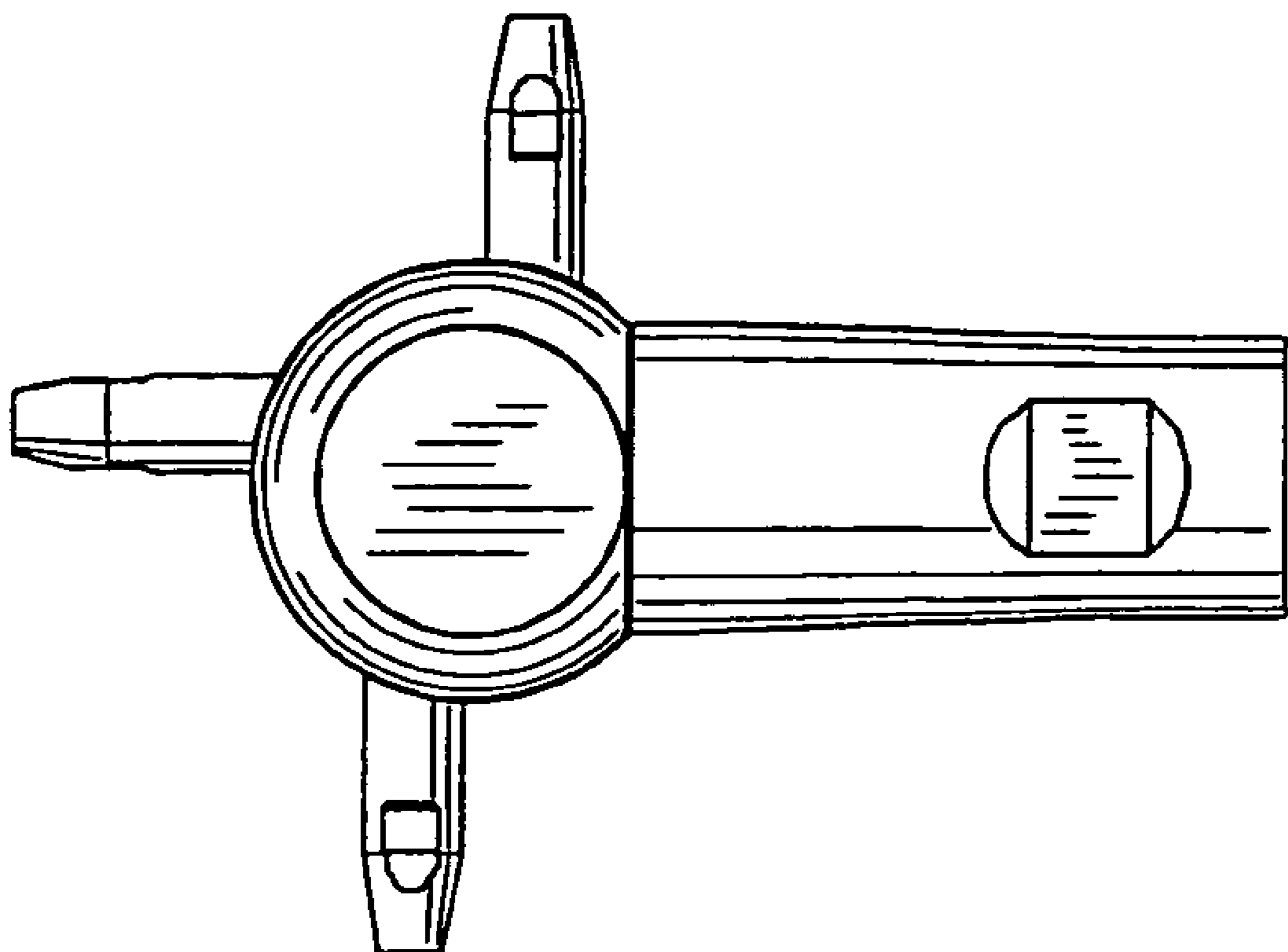
FIG. 3 is a second side elevational view thereof.

FIG. 4 is a bottom plan view thereof.

FIG. 5 is a first end elevational view thereof; and,

FIG. 6 is a second end elevational view thereof.

1 Claim, 2 Drawing Sheets



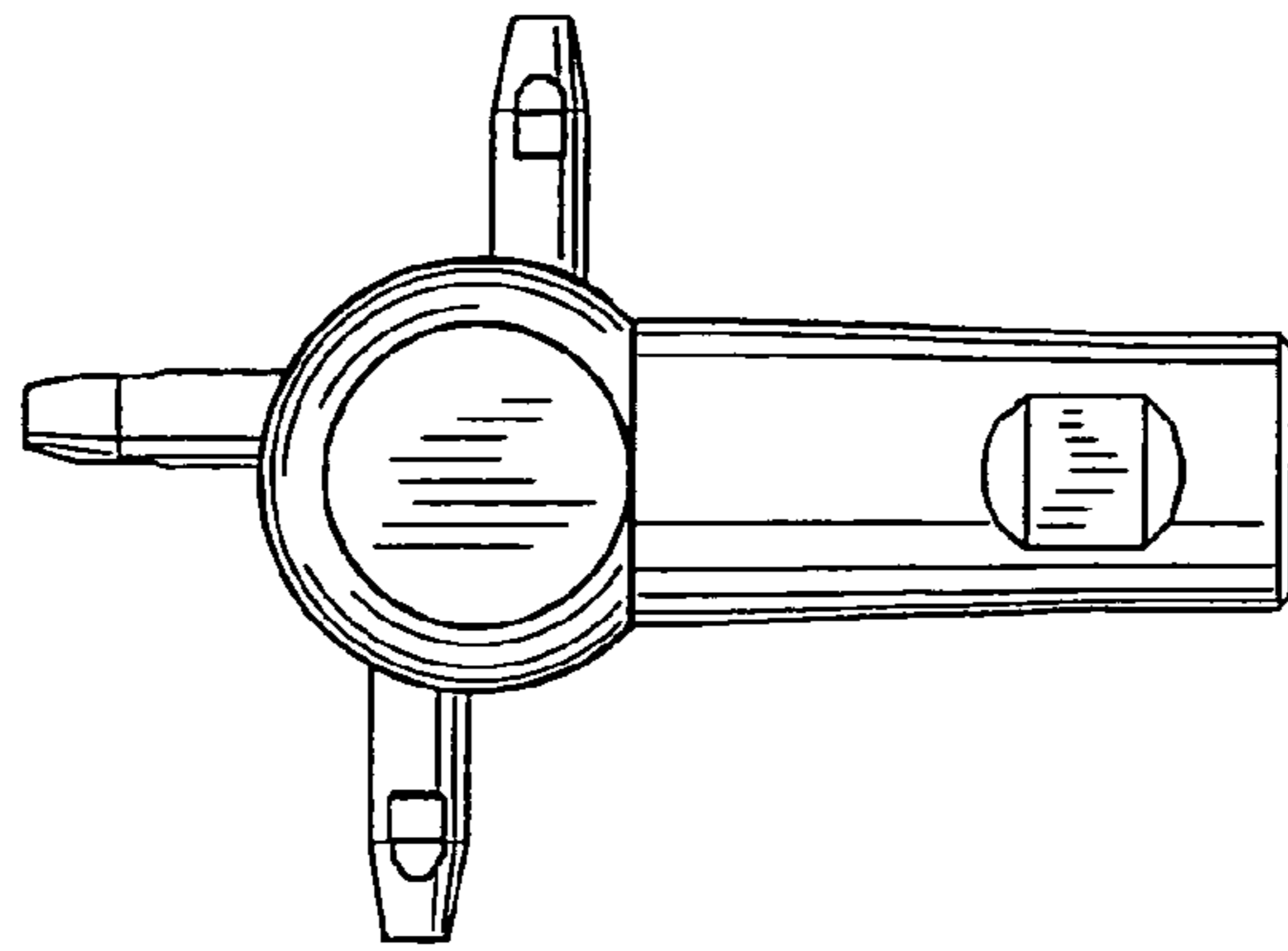


Fig. 1

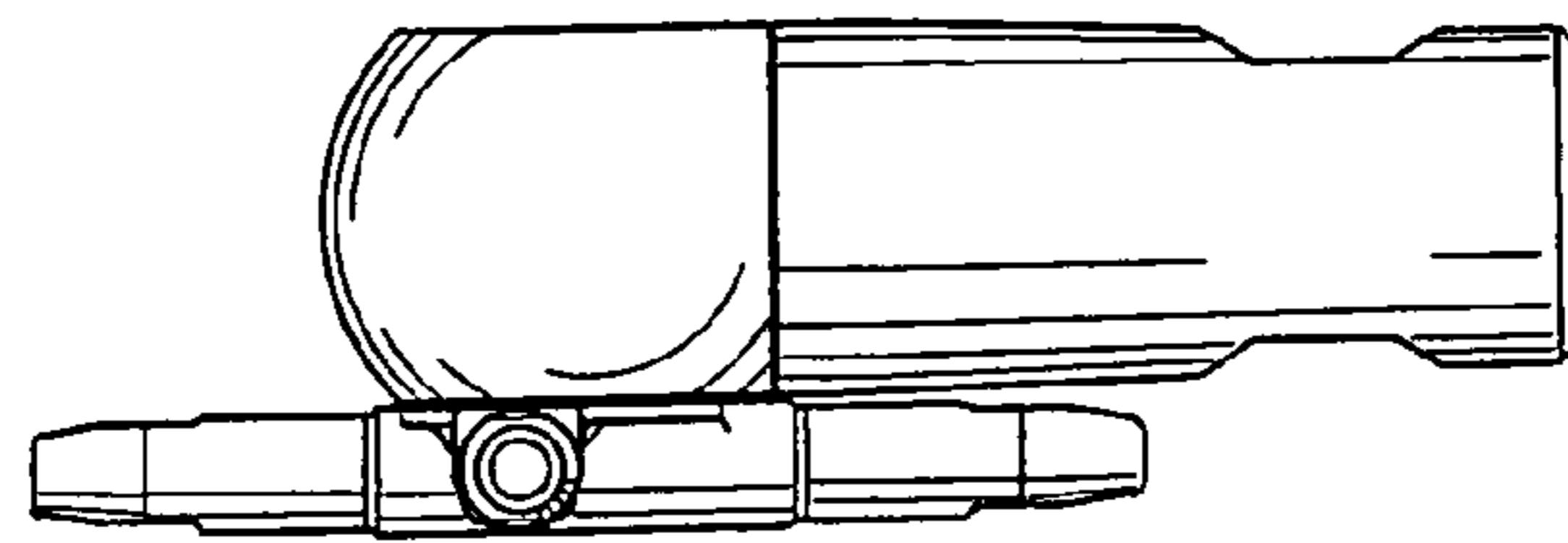


Fig. 2

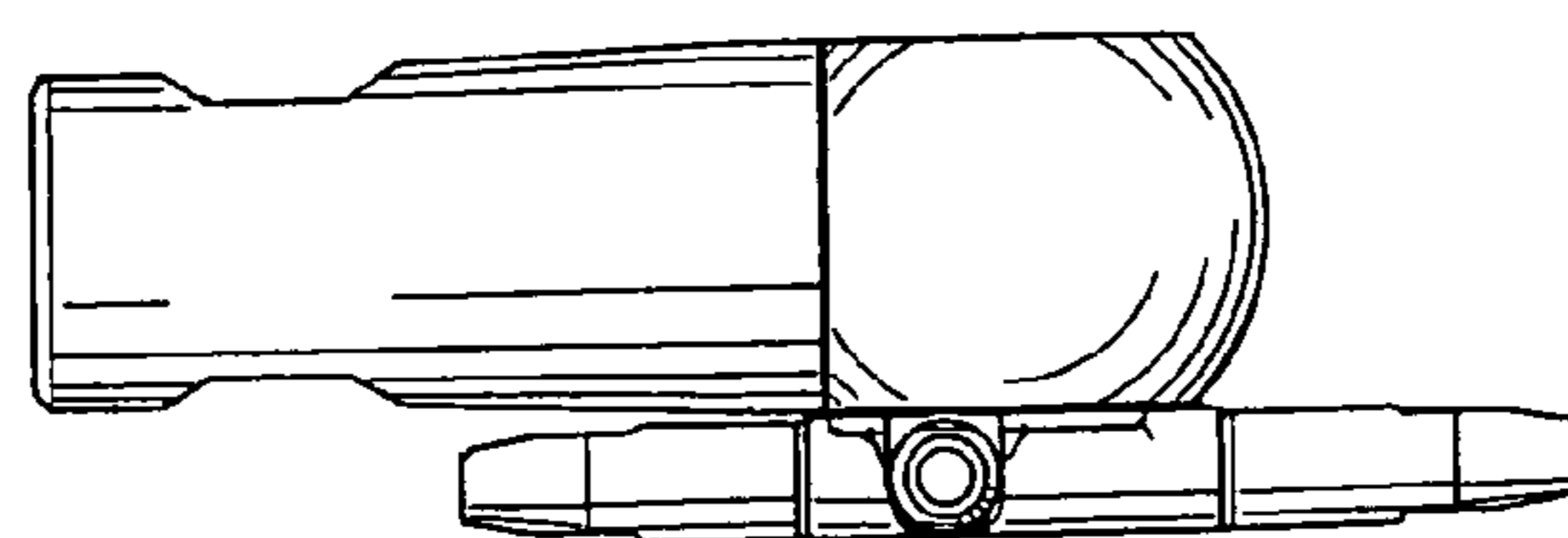


Fig. 3

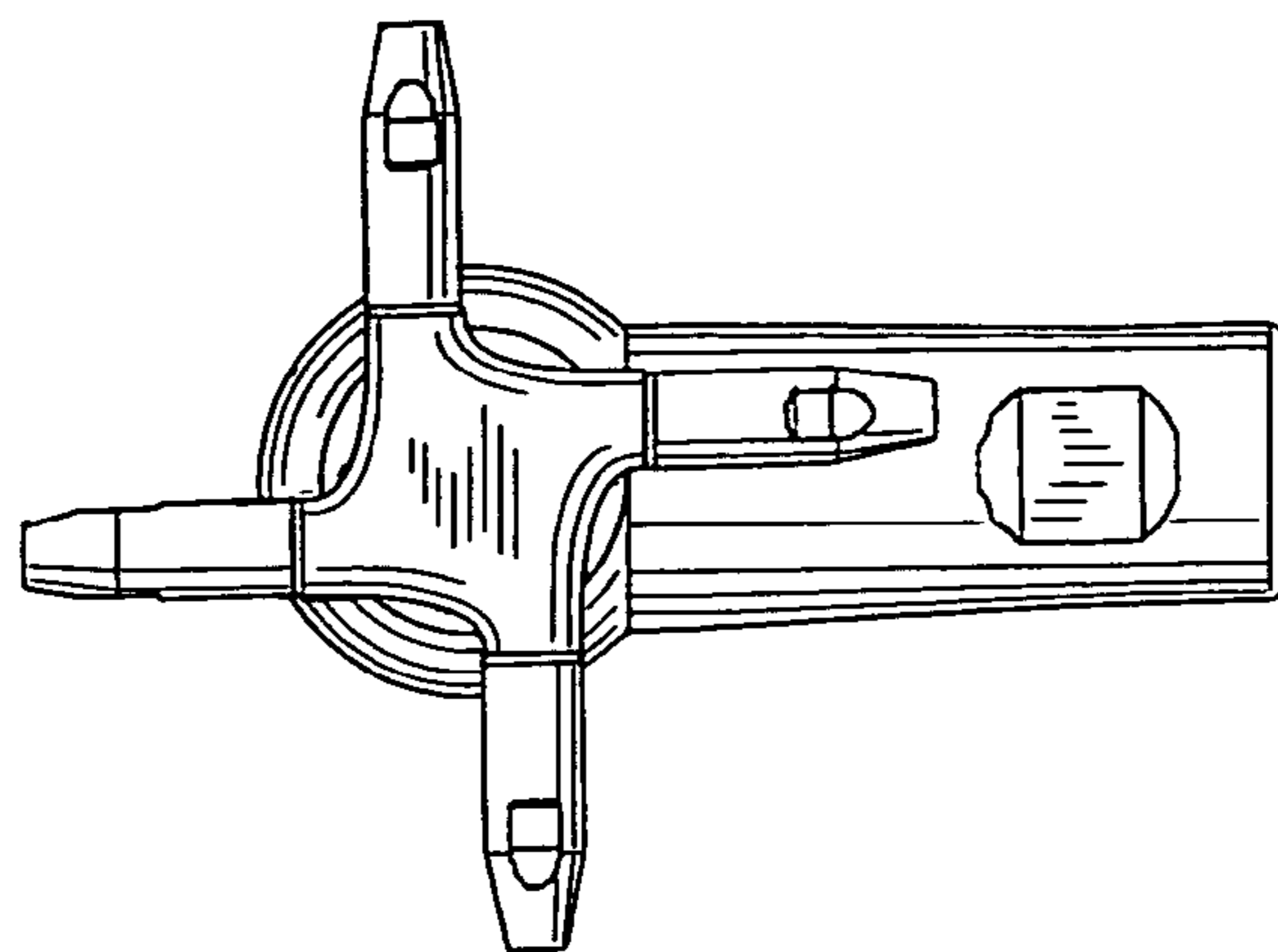


Fig. 4

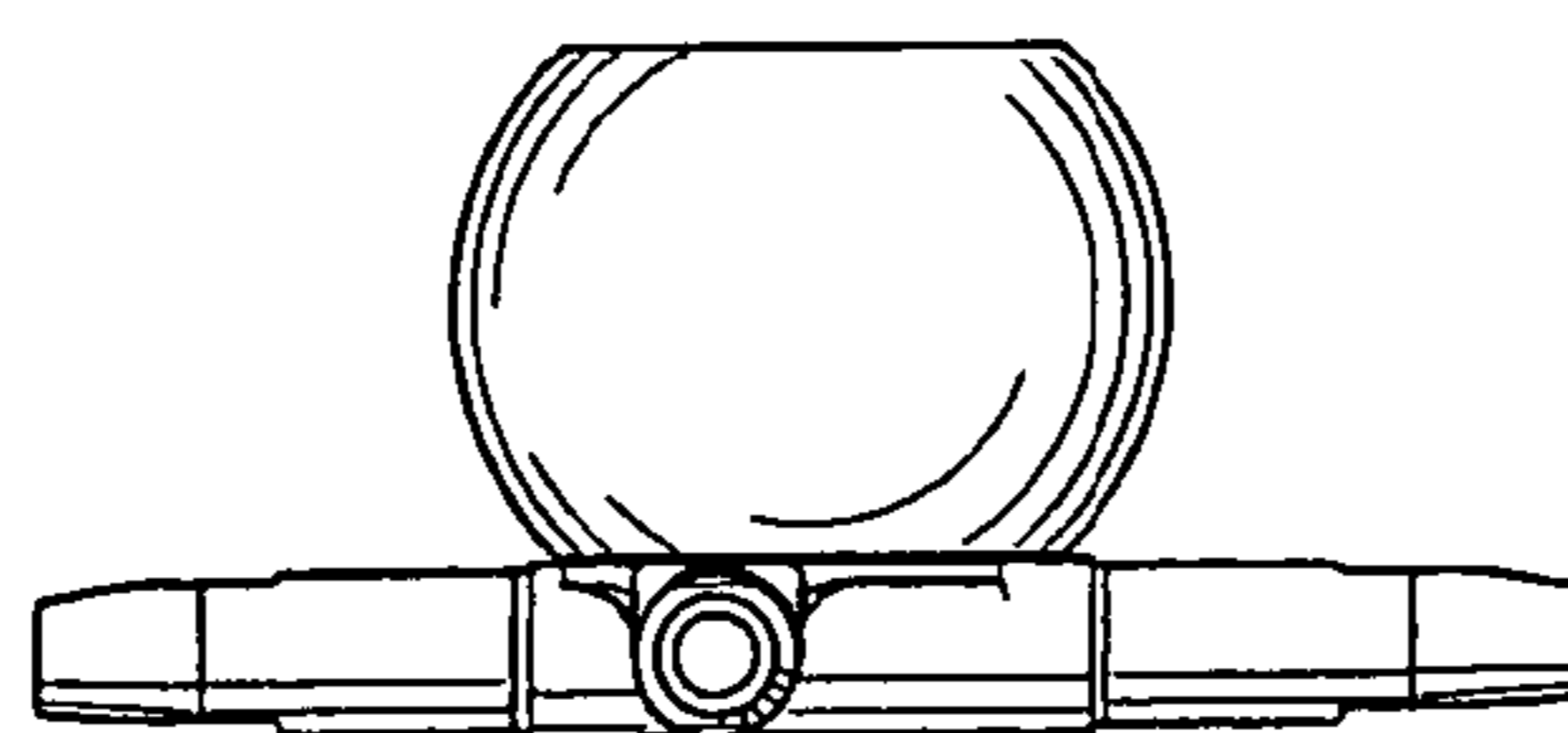


Fig. 5

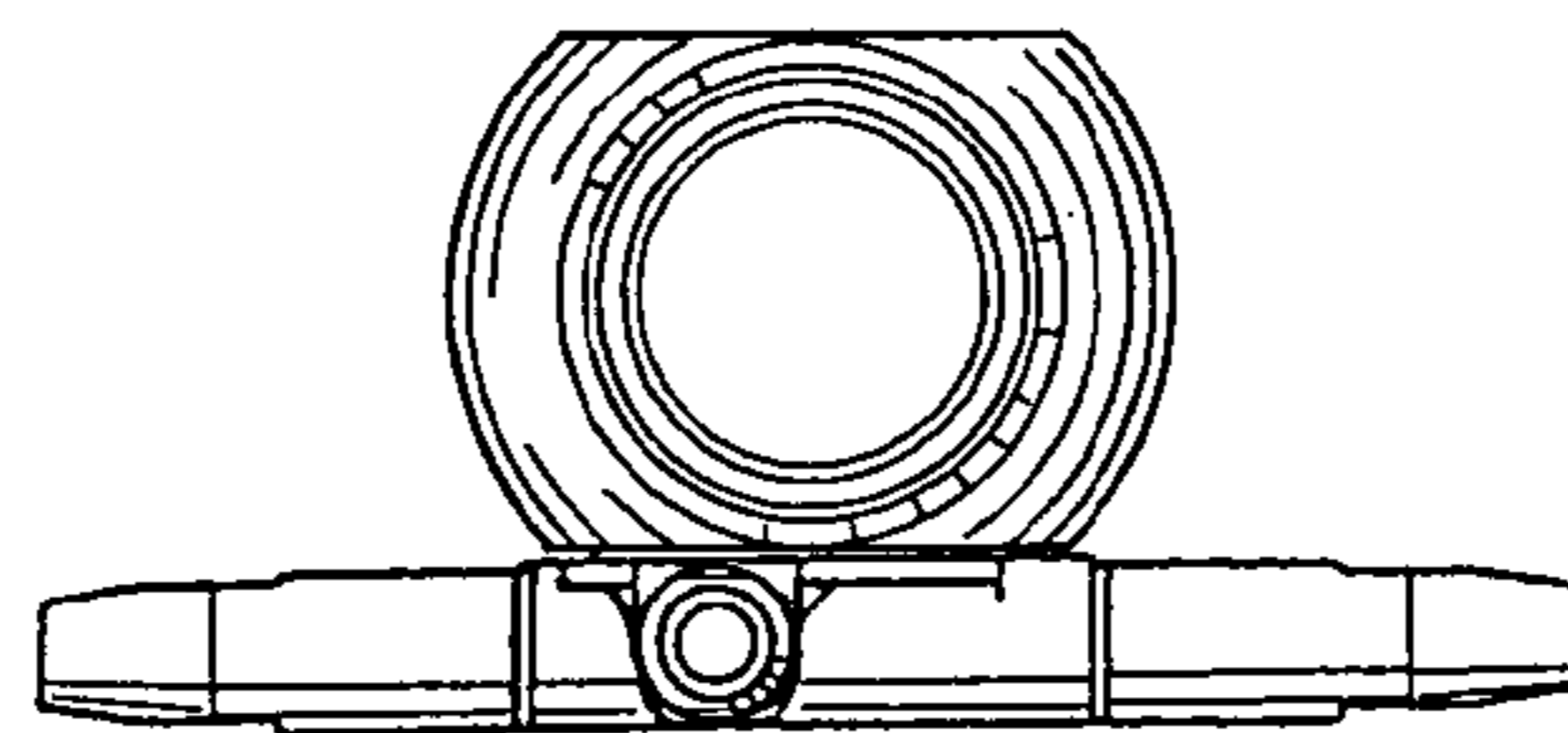


Fig. 6

UNITED STATES PATENT AND TRADEMARK OFFICE
CERTIFICATE OF CORRECTION

PATENT NO. : Des. 565,152 S
APPLICATION NO. : 29/293663
DATED : March 25, 2008
INVENTOR(S) : Malcolm Woodward

Page 1 of 1

It is certified that error appears in the above-identified patent and that said Letters Patent is hereby corrected as shown below:

On the Title Page Item (73), delete "Ledburg" and insert --Ledbury--.

Signed and Sealed this

Twenty-fourth Day of June, 2008

A handwritten signature in black ink that reads "Jon W. Dudas". The signature is written in a cursive style with a large, looped initial "J".

JON W. DUDAS
Director of the United States Patent and Trademark Office