



US00D565151S

(12) **United States Design Patent**
Brown

(10) **Patent No.:** **US D565,151 S**

(45) **Date of Patent:** **** Mar. 25, 2008**

(54) **WATER NOZZLE WITH DRINKING GUARD**

6,866,206 B2 * 3/2005 Wu 239/24

(76) **Inventor:** **Jack C. Brown**, 1717 Minnesota Ave.,
Winter Park, FL (US) 32789

* cited by examiner

Primary Examiner—Robin V Webster

(74) *Attorney, Agent, or Firm*—William M. Hobby, III

(**) **Term:** **14 Years**

(21) **Appl. No.:** **29/271,852**

(57) **CLAIM**

(22) **Filed:** **Jan. 29, 2007**

The ornamental design for a water nozzle with drinking guard, as shown and described.

(51) **LOC (8) Cl.** **23-01**

DESCRIPTION

(52) **U.S. Cl.** **D23/213; D7/304**

(58) **Field of Classification Search** **D23/213;**
D7/304; 239/24-27

FIG. 1 is a front right side perspective view of my new water nozzle with drinking guard;

FIG. 2 is a front elevation;

FIG. 3 is a rear elevation;

FIG. 4 is a left side elevation; and,

FIG. 5 is a right side elevation.

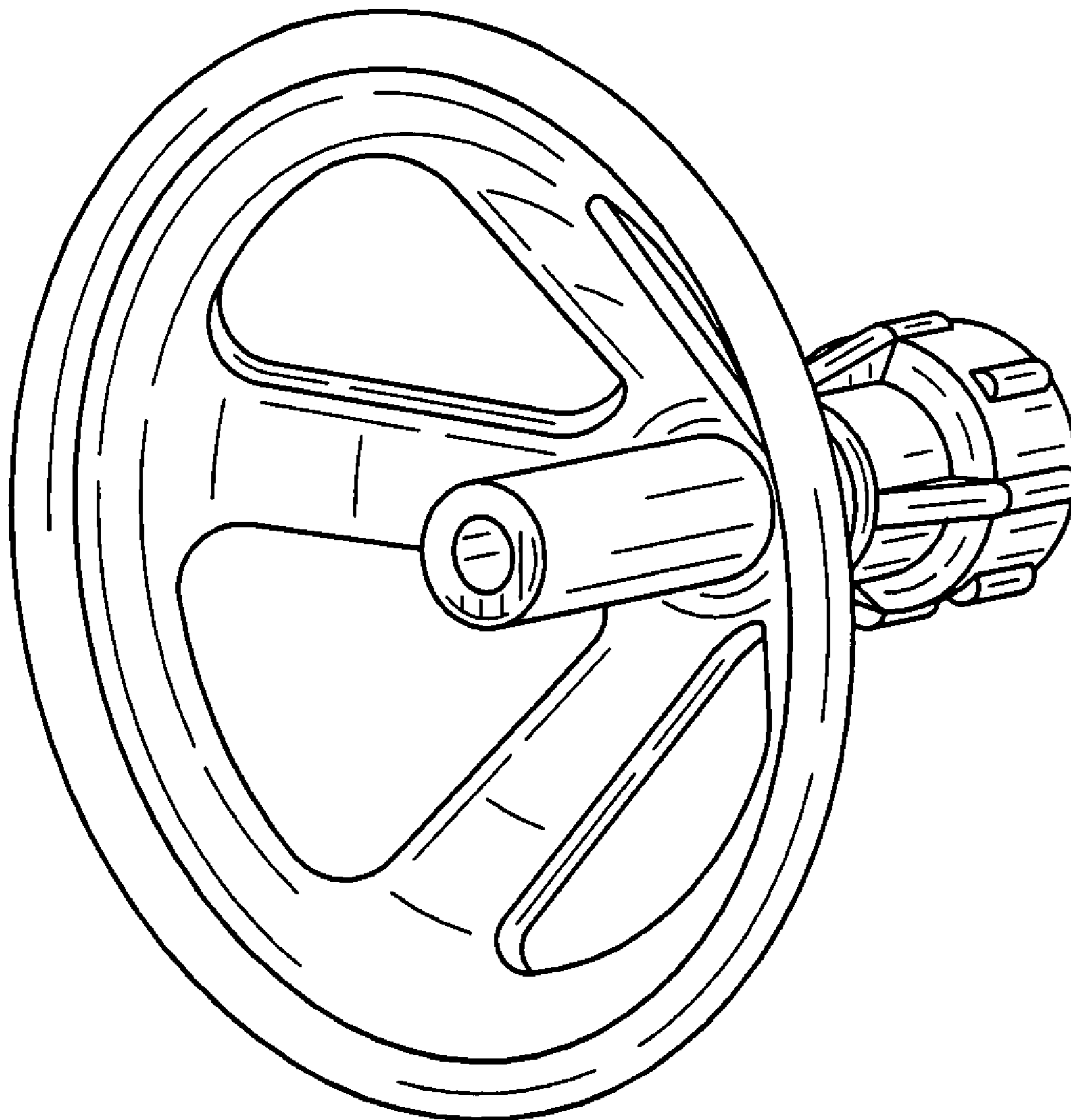
See application file for complete search history.

(56) **References Cited**

U.S. PATENT DOCUMENTS

970,213 A * 9/1910 Goebel 239/24
1,236,101 A * 8/1917 Newton 239/24

1 Claim, 2 Drawing Sheets



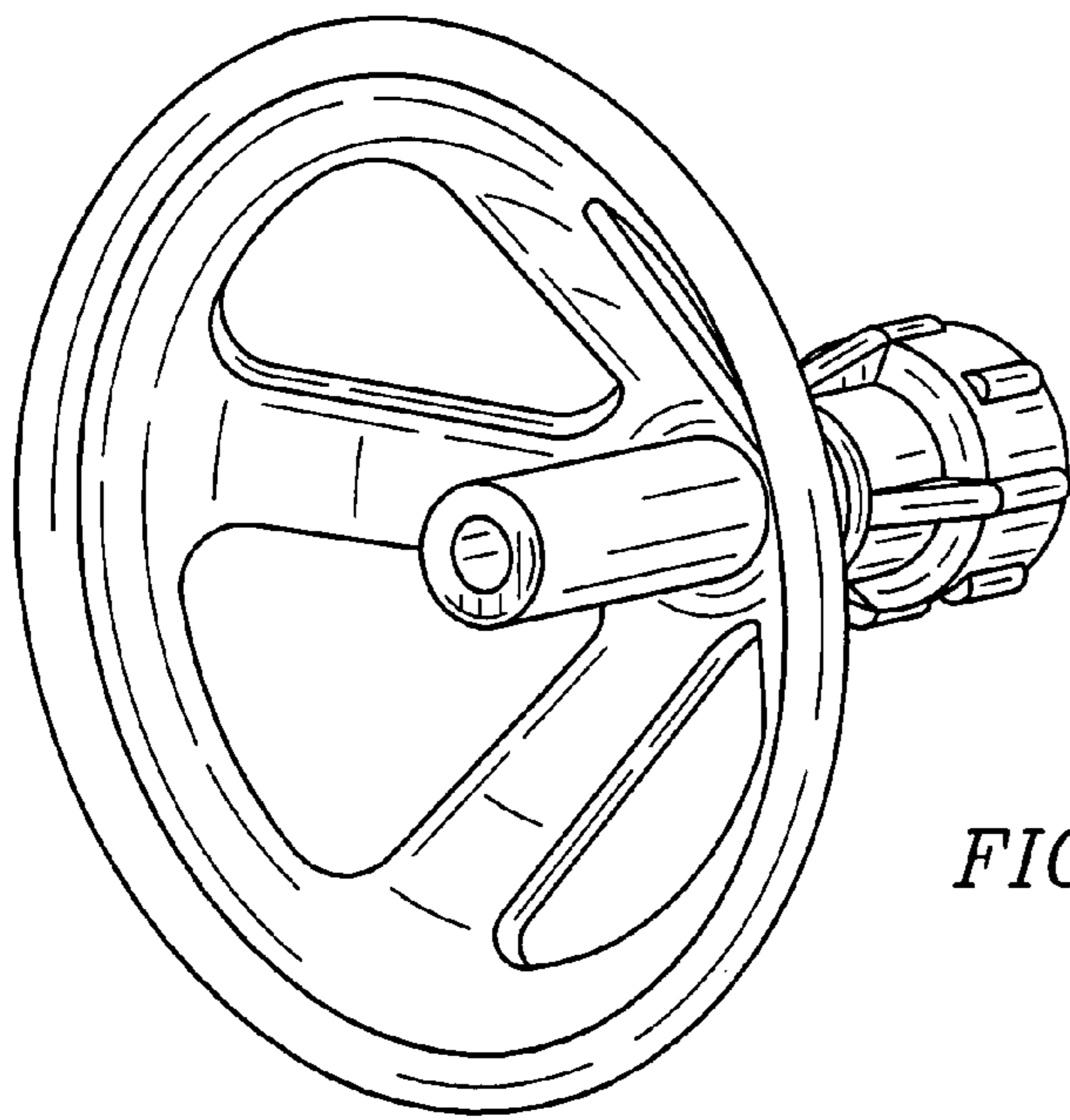


FIG. 1

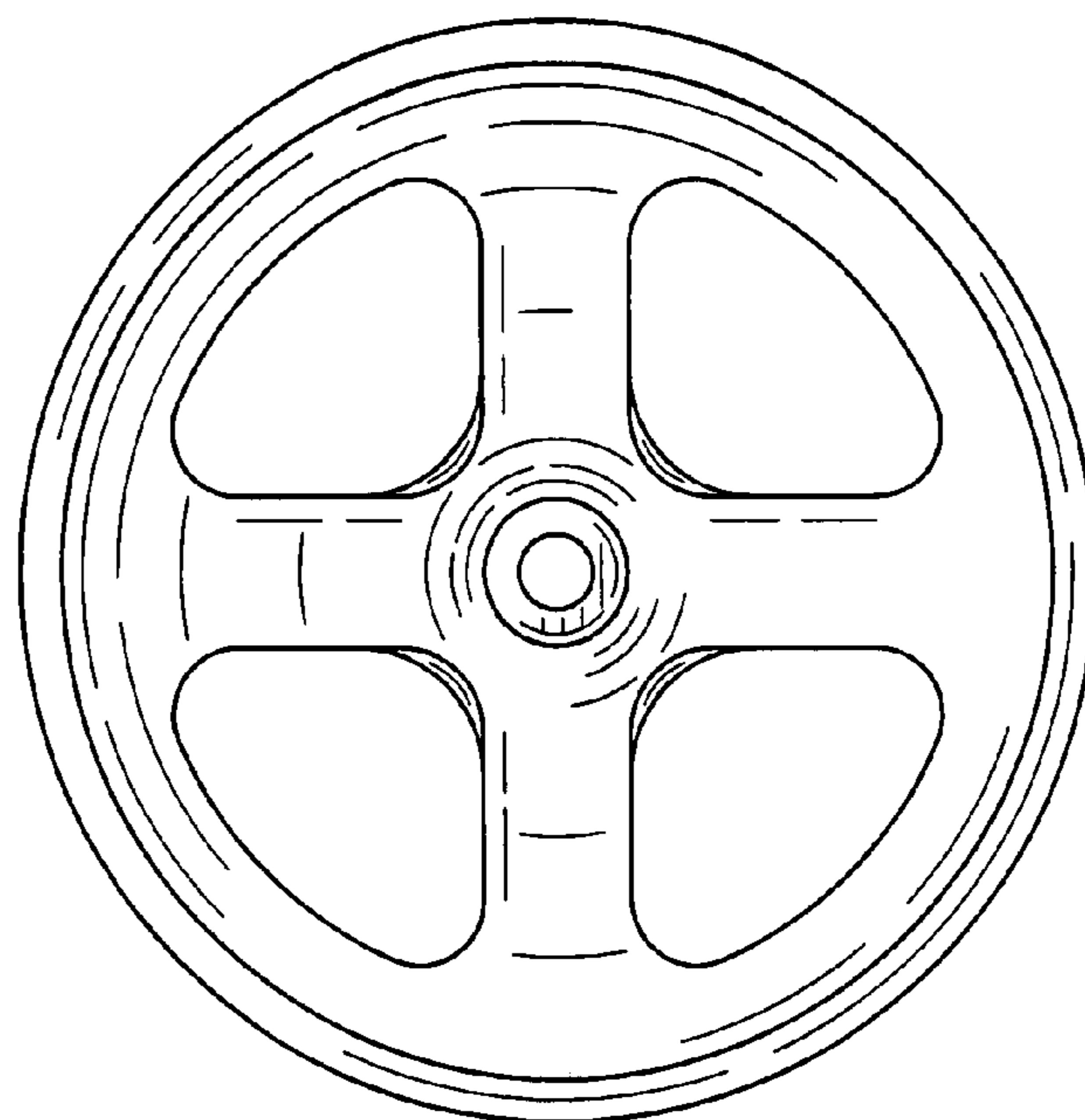


FIG. 2

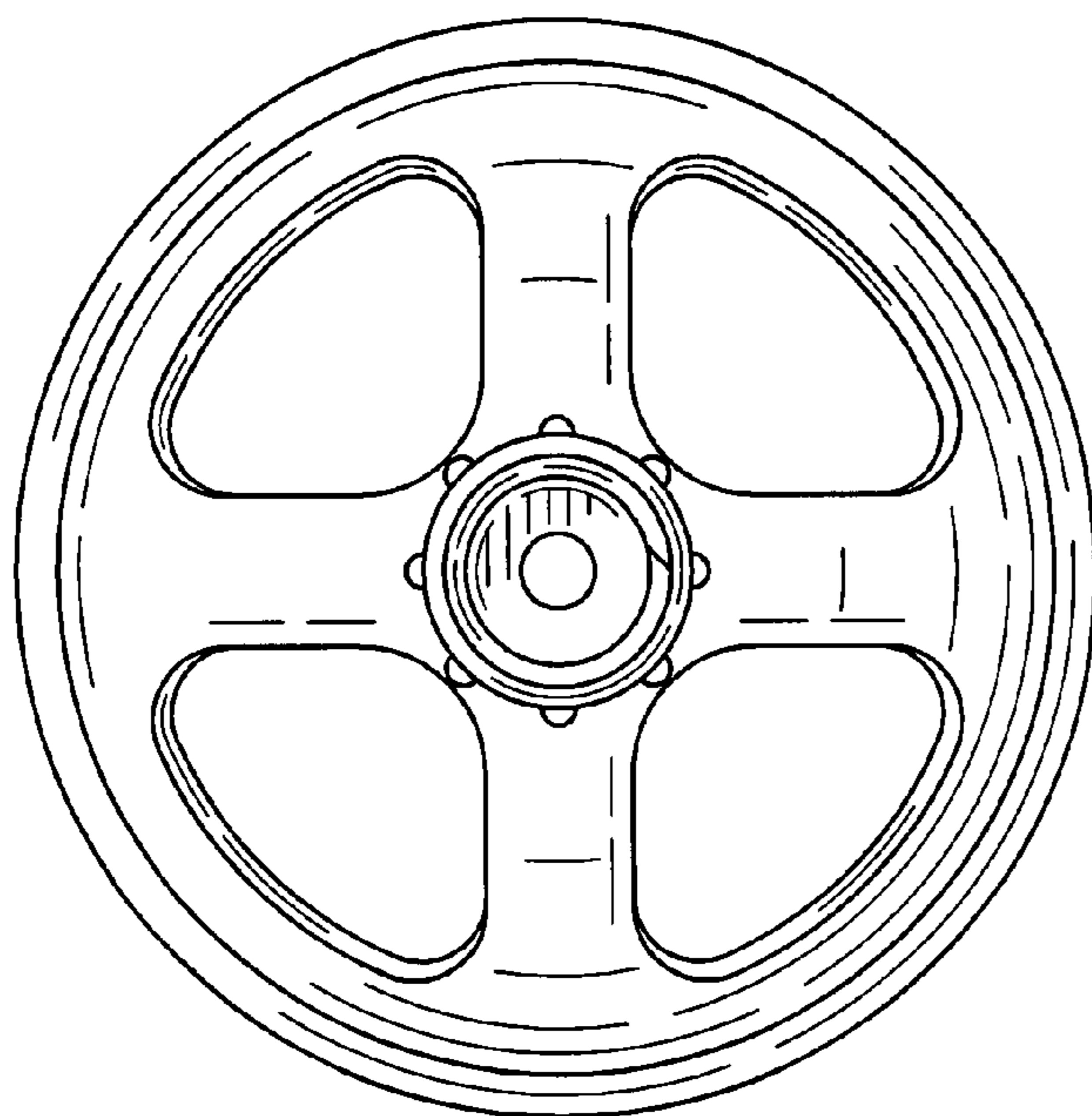


FIG. 3

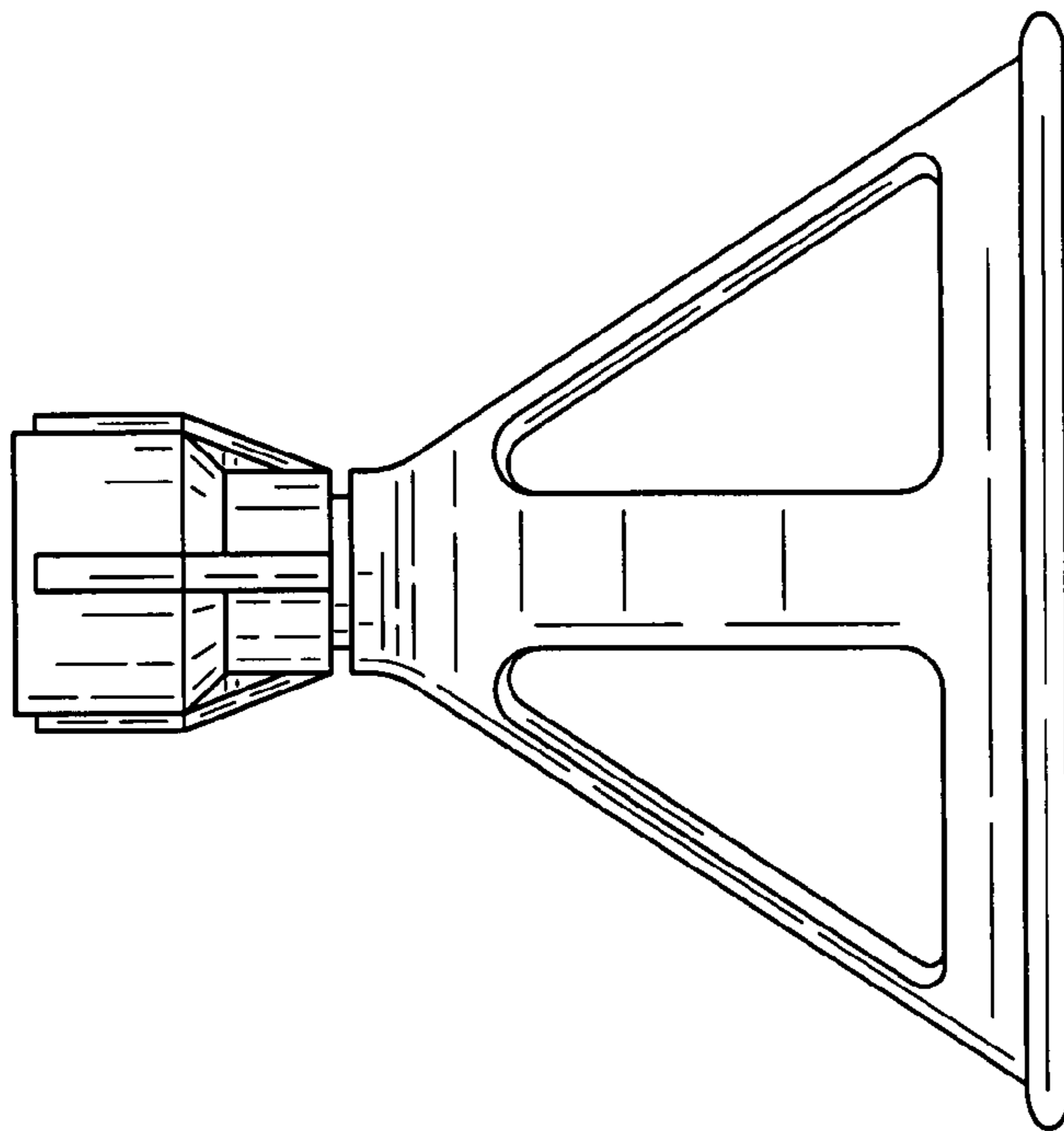


FIG. 4

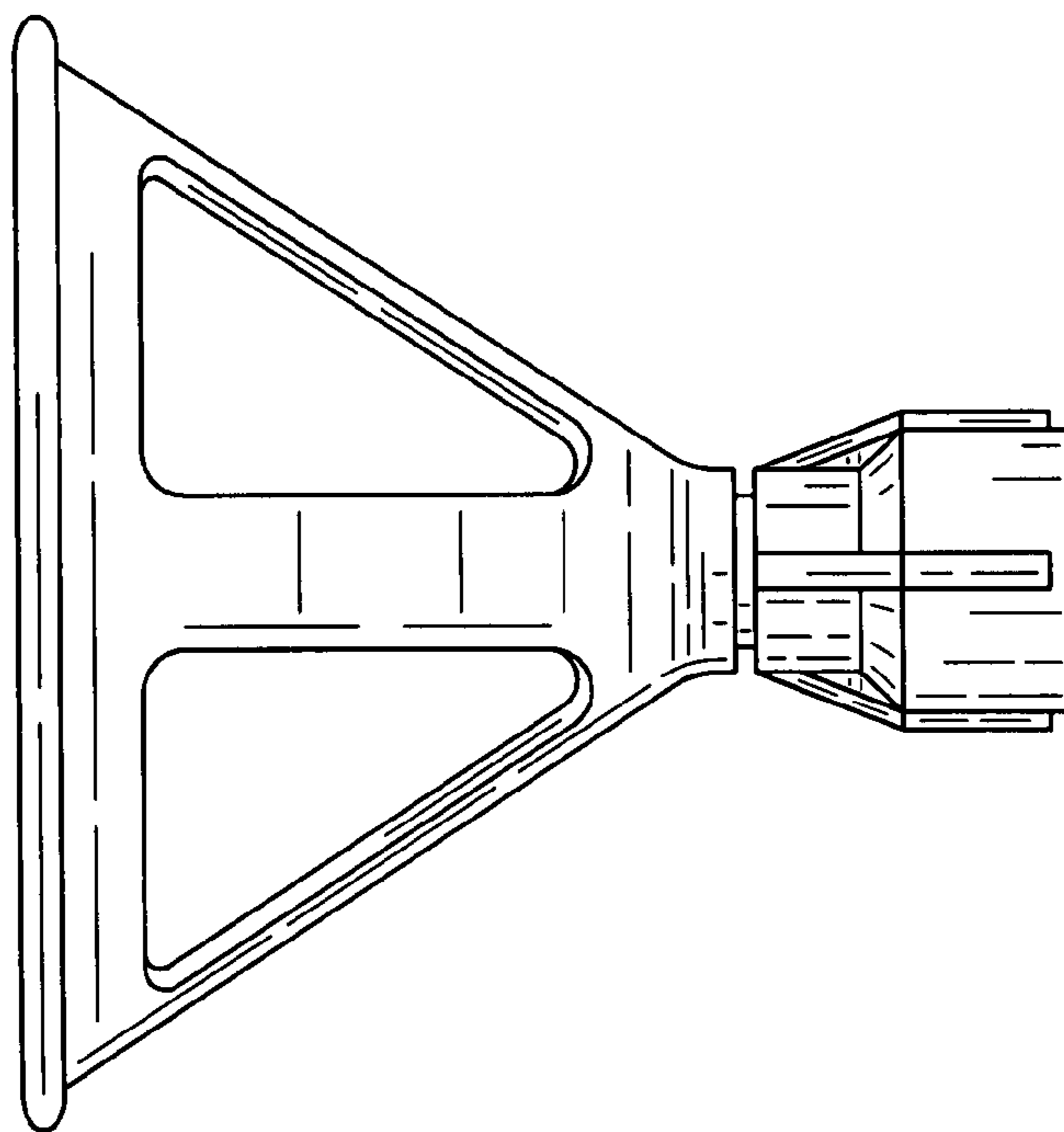


FIG. 5