



US00D565150S

(12) **United States Design Patent** (10) **Patent No.:** **US D565,150 S**  
**Mihlbauer et al.** (45) **Date of Patent:** **\*\* Mar. 25, 2008**

(54) **AQUARIUM FILTER ASSEMBLY**  
 (75) Inventors: **Brad L. Mihlbauer**, Mukwonago, WI (US); **David R. Troop, II**, Kenosha, WI (US); **Lonnie Austin Ready**, West Columbia, SC (US); **Giacomo Guoli**, Milan (IT); **Fabio Bellia**, Trebaseleghe (IT)

(73) Assignee: **Newa Tecno Industria S.r.l.**, Loreggia (PD) (IT)

(\*\*) Term: **14 Years**

(21) Appl. No.: **29/278,644**

(22) Filed: **Apr. 5, 2007**

(30) **Foreign Application Priority Data**

Oct. 5, 2006 (IT) ..... PD2006A0367  
 Mar. 8, 2007 (EP) ..... 07103798

(51) **LOC (8) Cl.** ..... **23-01**

(52) **U.S. Cl.** ..... **D23/210**

(58) **Field of Classification Search** ..... D23/209,  
 D23/210; 210/167.27, 167.25, 484, 485  
 See application file for complete search history.

(56) **References Cited**

**U.S. PATENT DOCUMENTS**

3,279,430	A *	10/1966	De Vieux Mugridge ....	119/259
4,735,715	A	4/1988	Willinger	
4,761,227	A	8/1988	Willinger et al.	
4,842,727	A	6/1989	Willinger et al.	
4,880,549	A	11/1989	Willinger et al.	
4,997,559	A	3/1991	Ellis et al.	
5,053,125	A	10/1991	Willinger et al.	
5,176,824	A	1/1993	Willinger et al.	
5,228,986	A	7/1993	Ellis et al.	
D353,649	S	12/1994	Willinger et al.	
5,397,463	A	3/1995	Woltmann	
5,423,978	A	6/1995	Snyder et al.	
D368,297	S *	3/1996	Dunlap .....	D23/210
D383,829	S *	9/1997	Guo .....	D23/210
5,728,293	A	3/1998	Guoli et al.	
D441,829	S *	5/2001	Wang .....	D23/210
D460,996	S	7/2002	Carley et al.	

D462,739	S	9/2002	Carley et al.
D468,393	S	1/2003	Agresta et al.
6,692,637	B2	2/2004	Fox et al.
6,706,176	B1	3/2004	Goldman
D494,251	S	8/2004	Fox, Jr. et al.
6,797,163	B2	9/2004	Carley et al.
2004/0238426	A9	12/2004	Fox et al.
2005/0284397	A1	12/2005	Carley et al.
2006/0000755	A1	1/2006	Carley et al.

**OTHER PUBLICATIONS**

*Eclipse Aquarium Systems*, Owner's Manual, System 3, System Six, System Twelve, Marineland Aquarium Products, Oct. 2000.  
*Eclipse—The Filtration & Illumination System*, Owner's Manual, Eclipse<sub>1</sub>, Eclipse<sub>2</sub>, Eclipse<sub>3</sub>, Marineland Aquarium Products, Mar. 2000.

\* cited by examiner

*Primary Examiner*—Robin V Webster

(74) *Attorney, Agent, or Firm*—Andrus, Scales, Starke & Sawall, LLP

(57) **CLAIM**

The ornamental design for an aquarium filter assembly, as shown and described.

**DESCRIPTION**

FIG. 1 is an isometric view of an aquarium filter assembly incorporating our new design;

FIG. 2 is an enlarged view of the aquarium filter assembly of FIG. 1;

FIG. 3 is a top plan view thereof;

FIG. 4 is a front elevation view thereof;

FIG. 5 is a rear elevation view thereof;

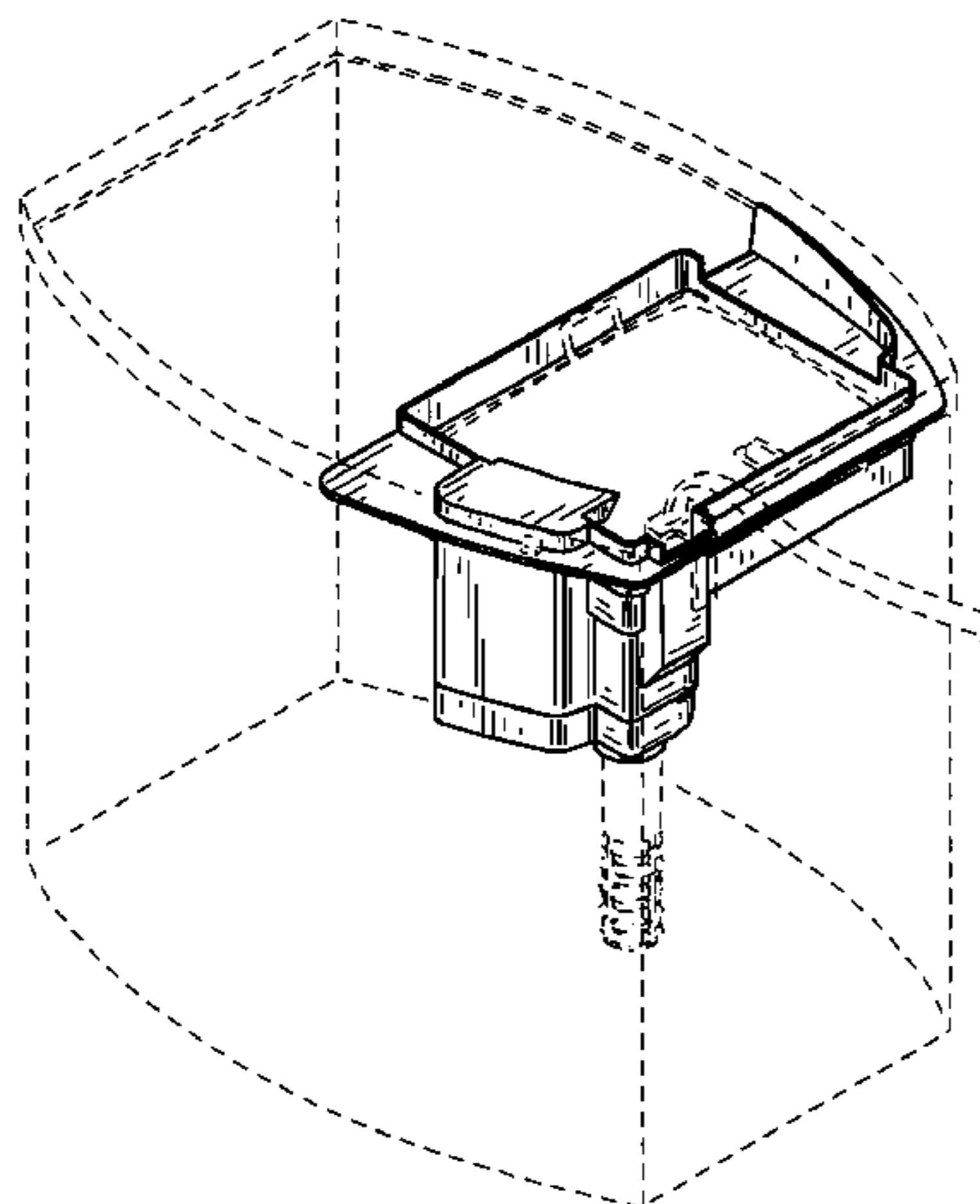
FIG. 6 is a right side elevation view thereof;

FIG. 7 is a left side elevation view thereof; and,

FIG. 8 is a bottom plan view thereof.

The broken lines are for illustration only, and form no part of the claimed design.

**1 Claim, 4 Drawing Sheets**



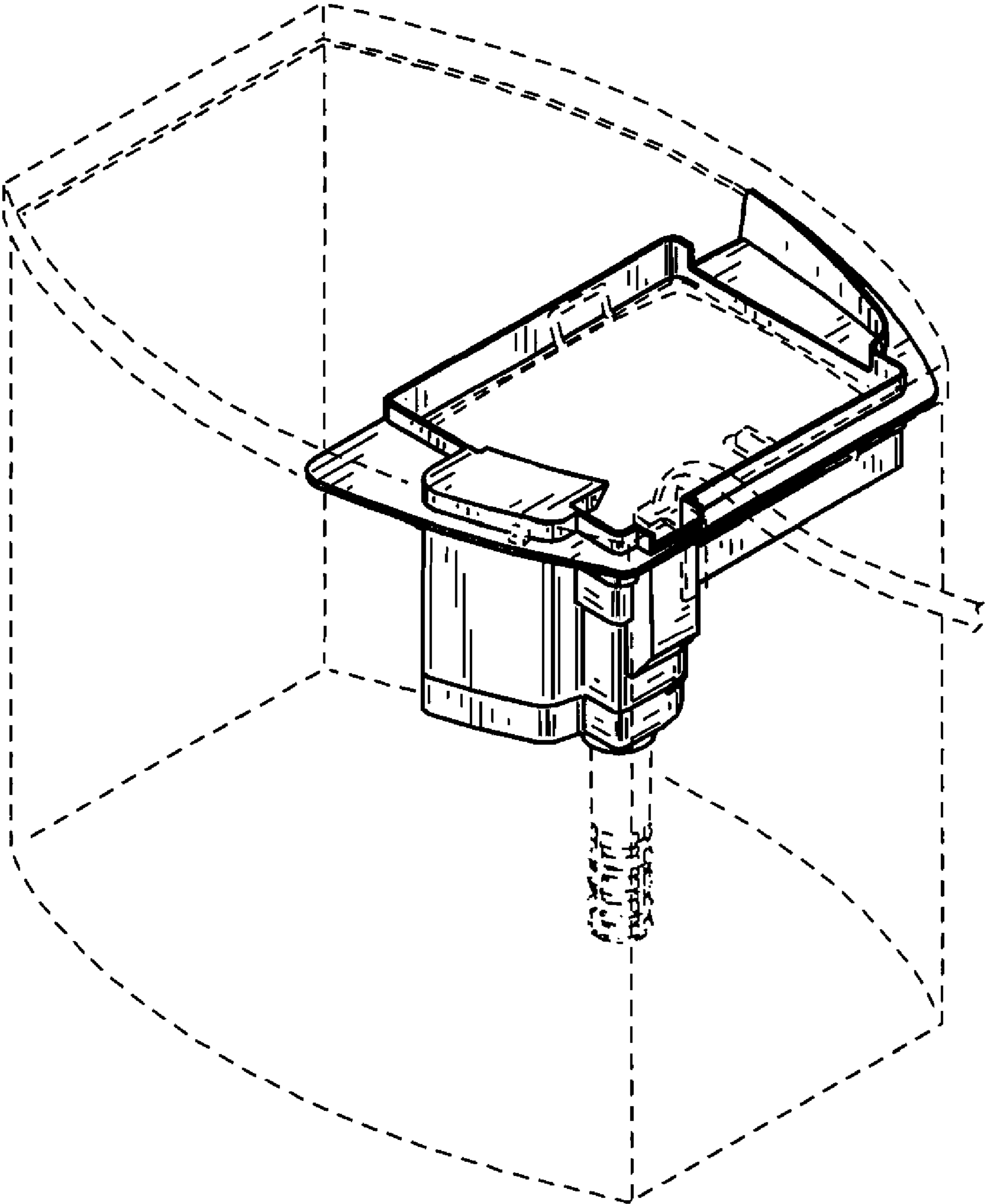


FIG. 1

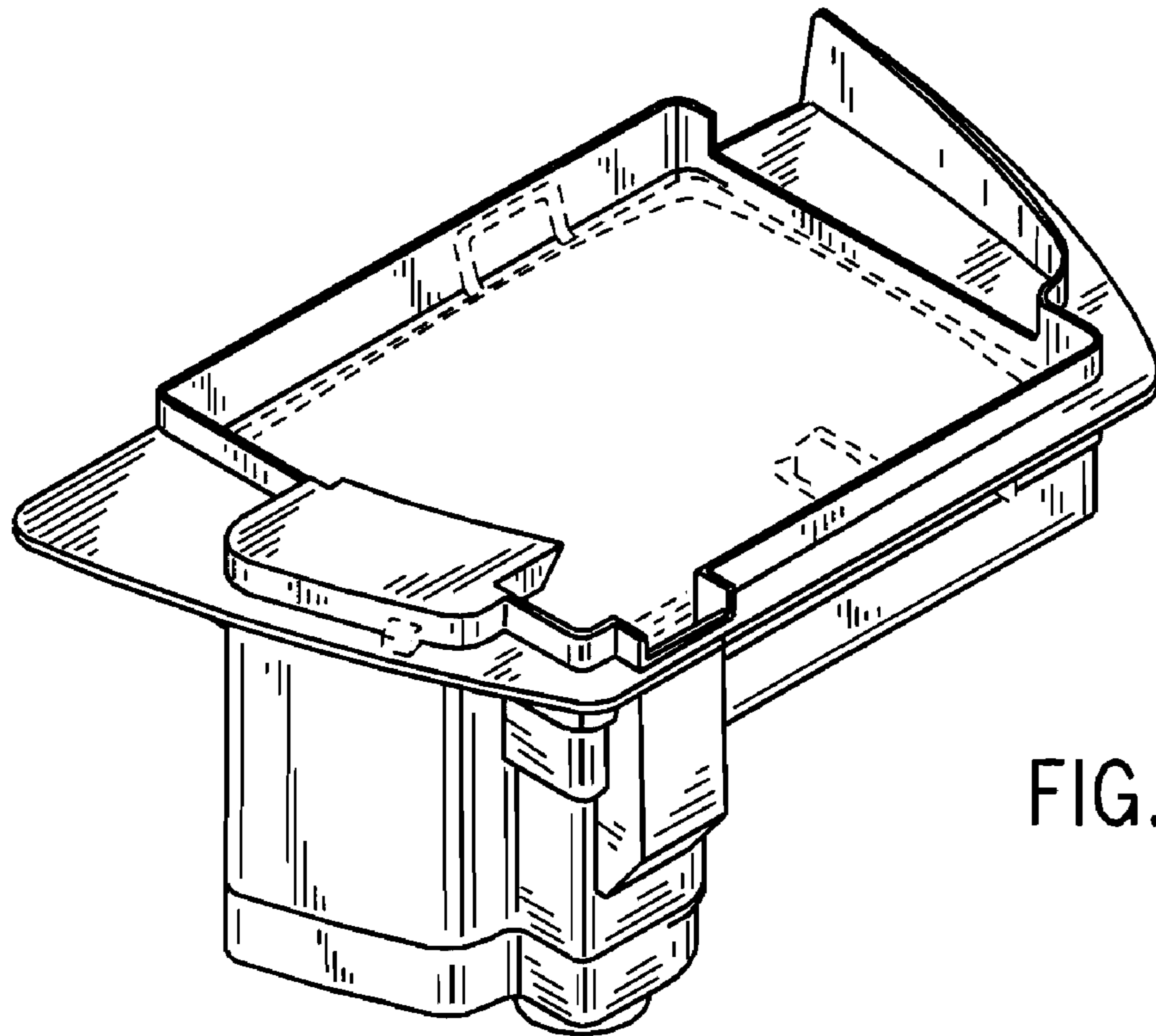


FIG. 2

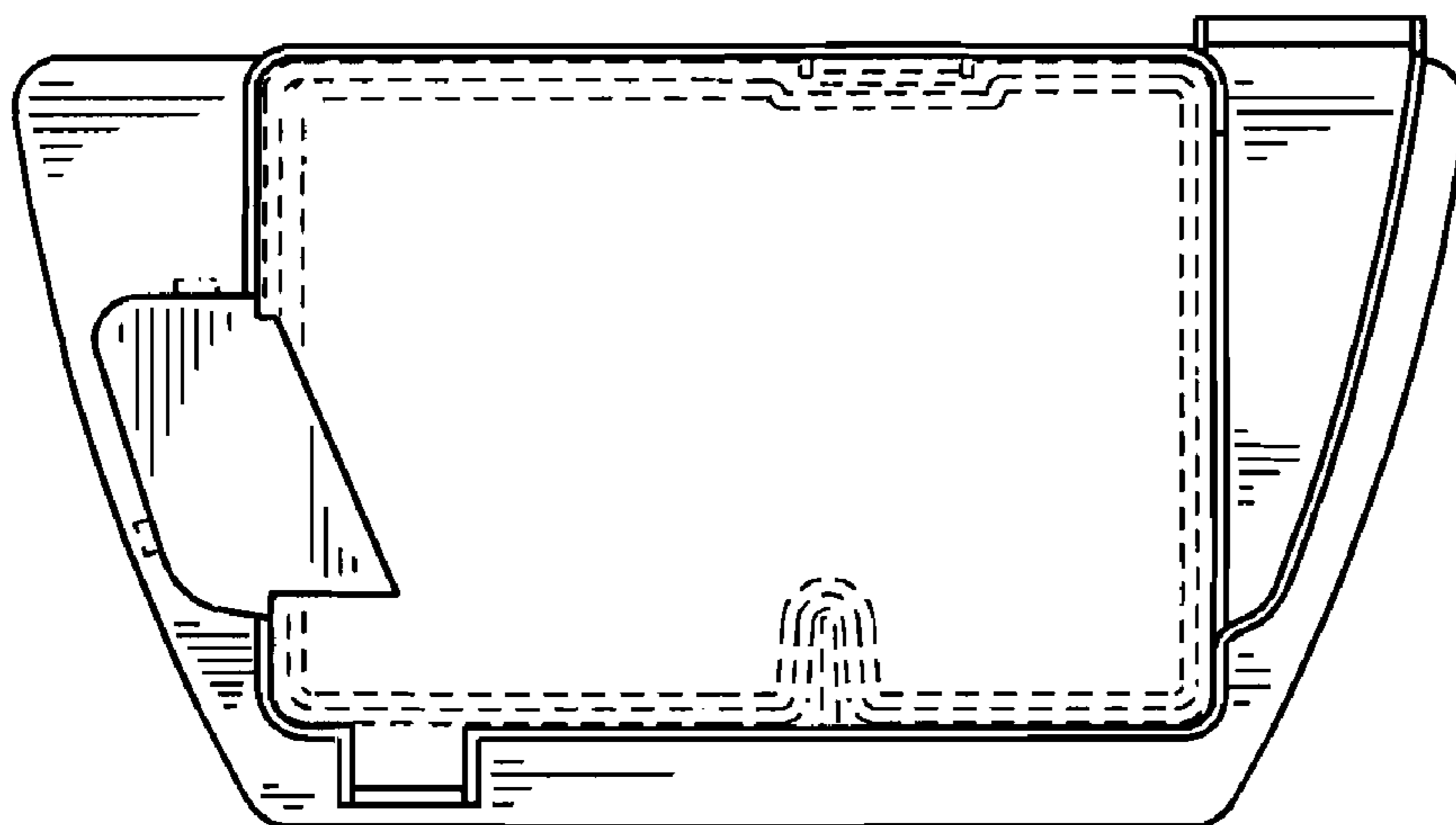


FIG. 3

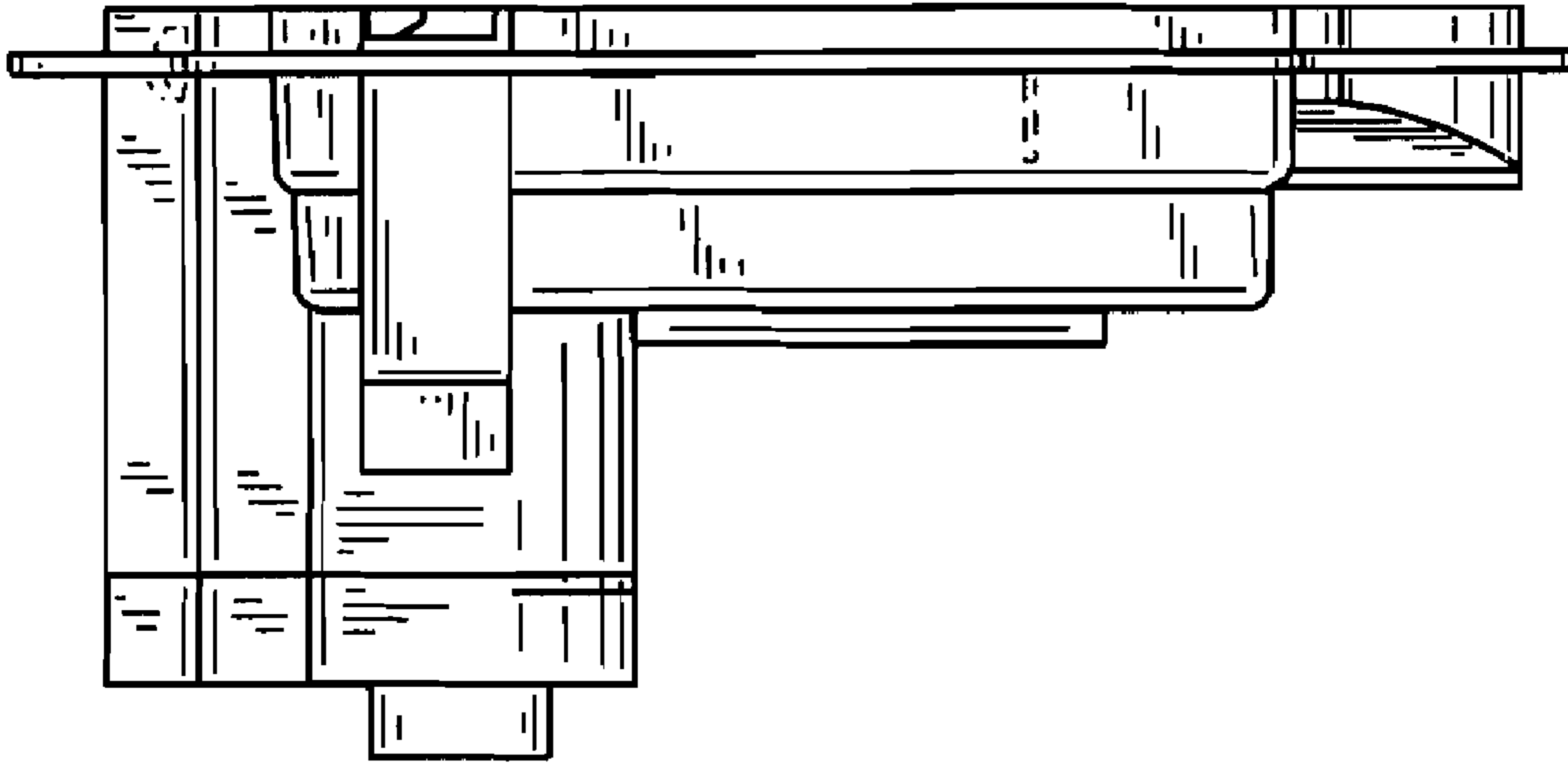


FIG. 4

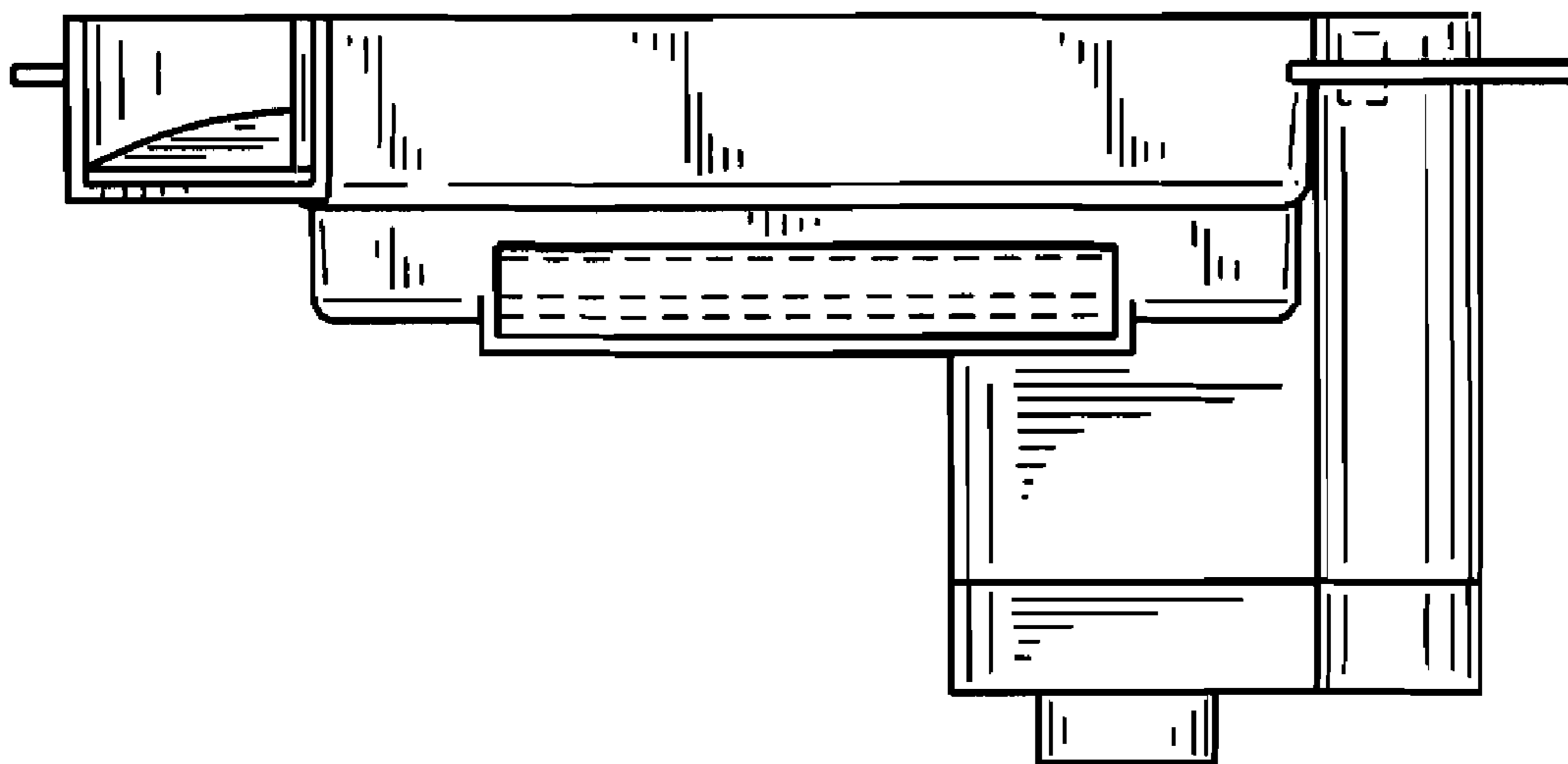


FIG. 5

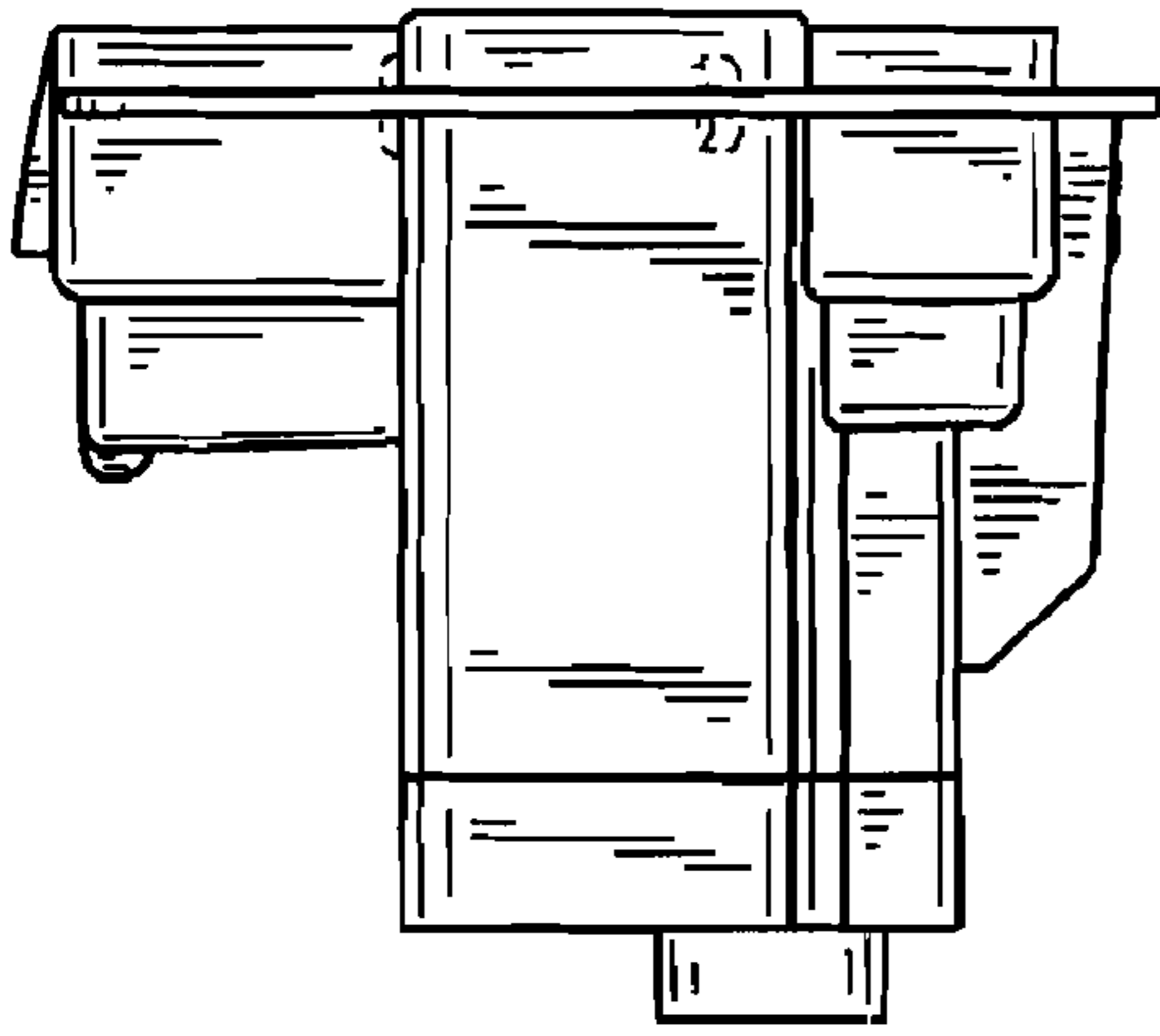


FIG. 6

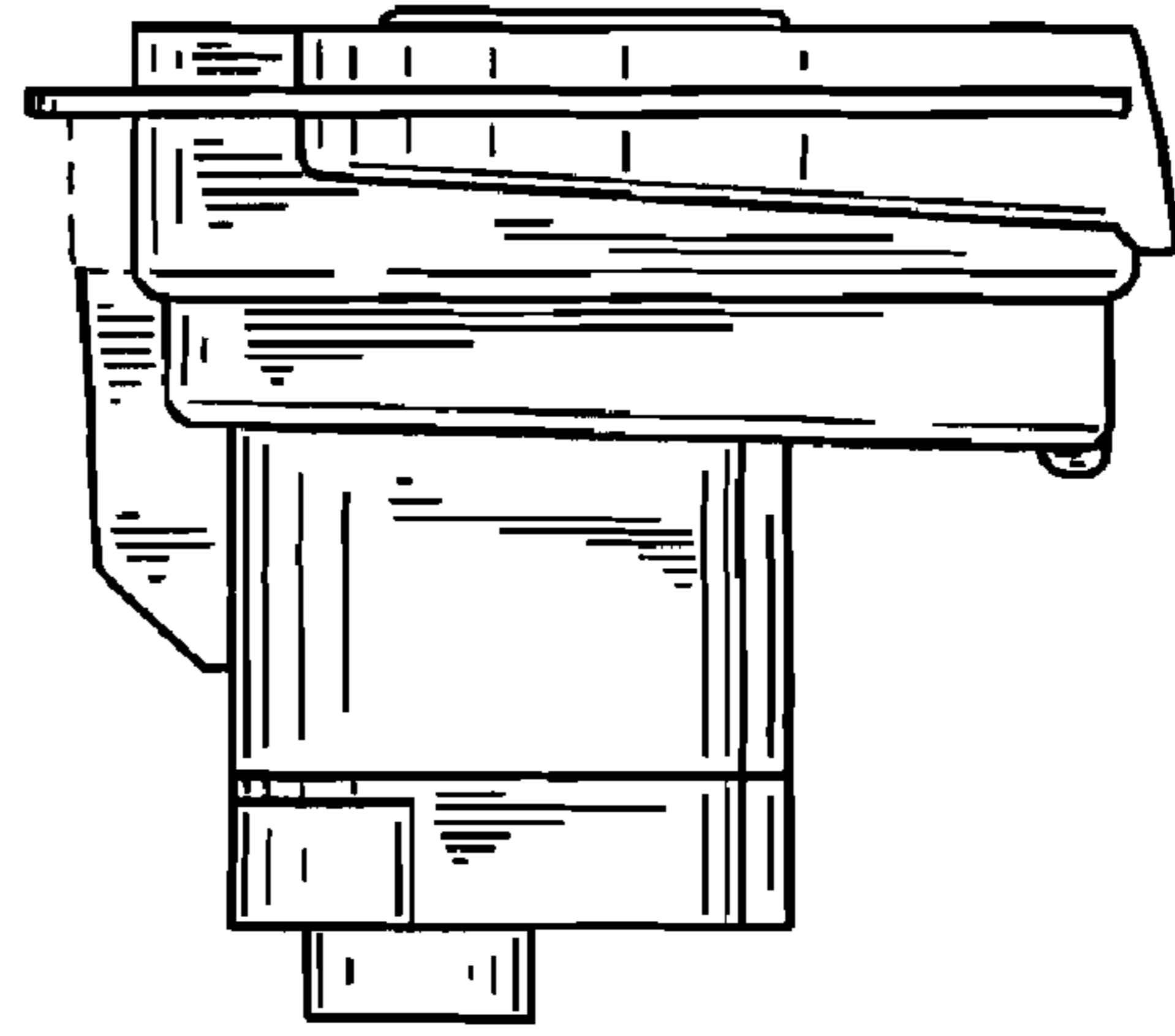


FIG. 7

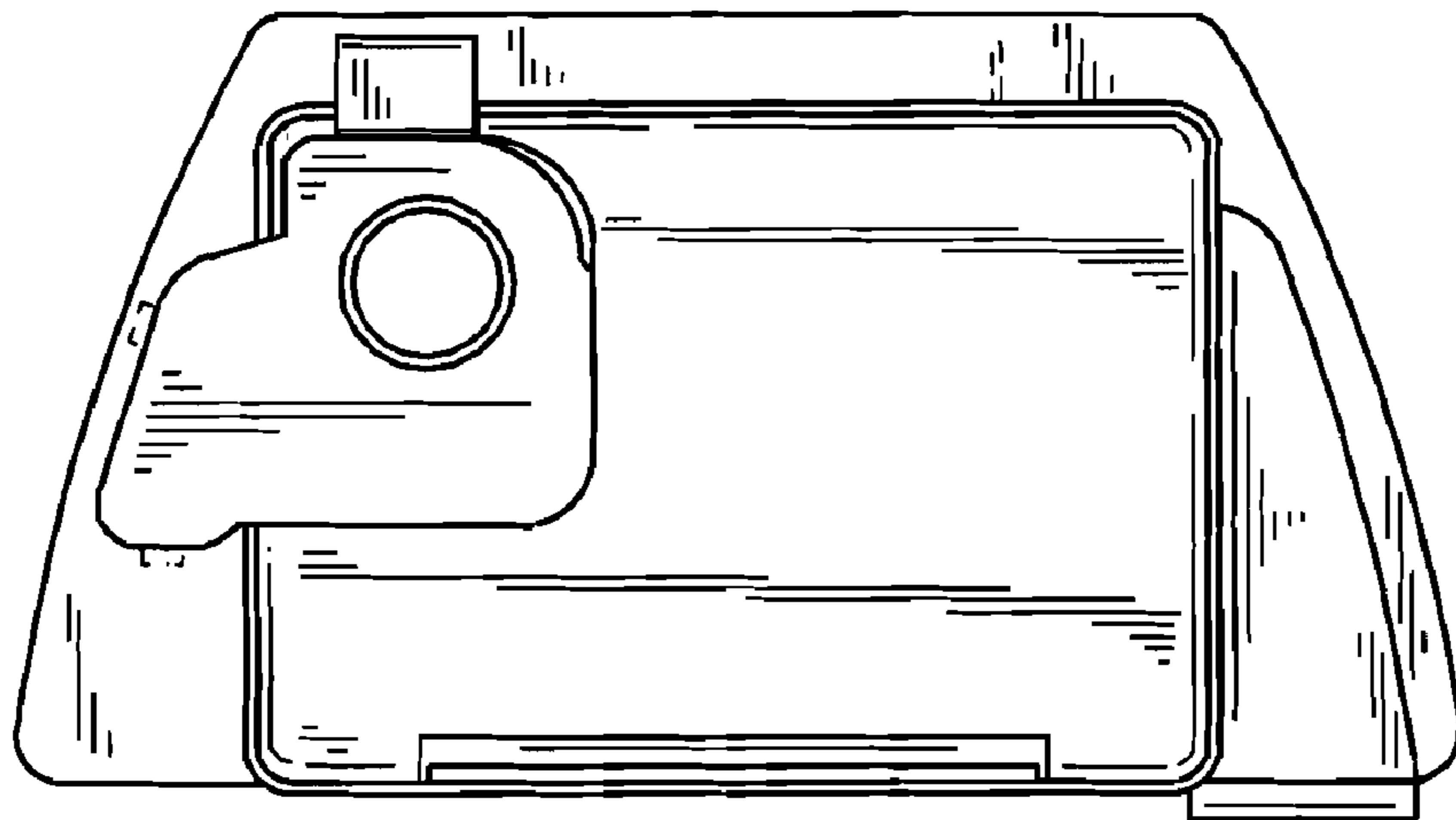


FIG. 8