



US00D565149S

(12) **United States Design Patent**  
**Slawomir**

(10) **Patent No.:** **US D565,149 S**

(45) **Date of Patent:** **\*\* Mar. 25, 2008**

(54) **WATER FILTER CARTRIDGE COVER WITH  
FOUR TOP PERFORATIONS LOCATED IN  
SOMEWHAT RECESSED AREA**

D529,127 S \* 9/2006 Cueman ..... D23/209

\* cited by examiner

*Primary Examiner*—Robin V Webster

(74) *Attorney, Agent, or Firm*—Horst H. Kasper

(76) **Inventor:** **Bursztein Slawomir**, Ul. Rzeszowska  
11, 25-140 Kielce (PL)

(\*\*) **Term:** **14 Years**

(57) **CLAIM**

(21) **Appl. No.:** **29/269,524**

The ornamental design for a water filter cartridge cover with four top perforations located in somewhat recessed area, as shown and described.

(22) **Filed:** **Nov. 30, 2006**

(51) **LOC (8) Cl.** ..... **23-01**

(52) **U.S. Cl.** ..... **D23/209**

(58) **Field of Classification Search** ..... D23/207,  
D23/209; 210/282, 472, 266  
See application file for complete search history.

**DESCRIPTION**

FIG. 1 is a bottom plan view of a water filter cartridge cover with four top perforations located in somewhat recessed area showing my new design;

FIG. 2 is a front elevational view thereof;

FIG. 3 is a perspective view thereof;

FIG. 4 is a right side elevational view thereof; the left side elevational view is the same as the right side elevational view.

FIG. 5 is a rear elevational view thereof; and,

FIG. 6 is a top plan view thereof.

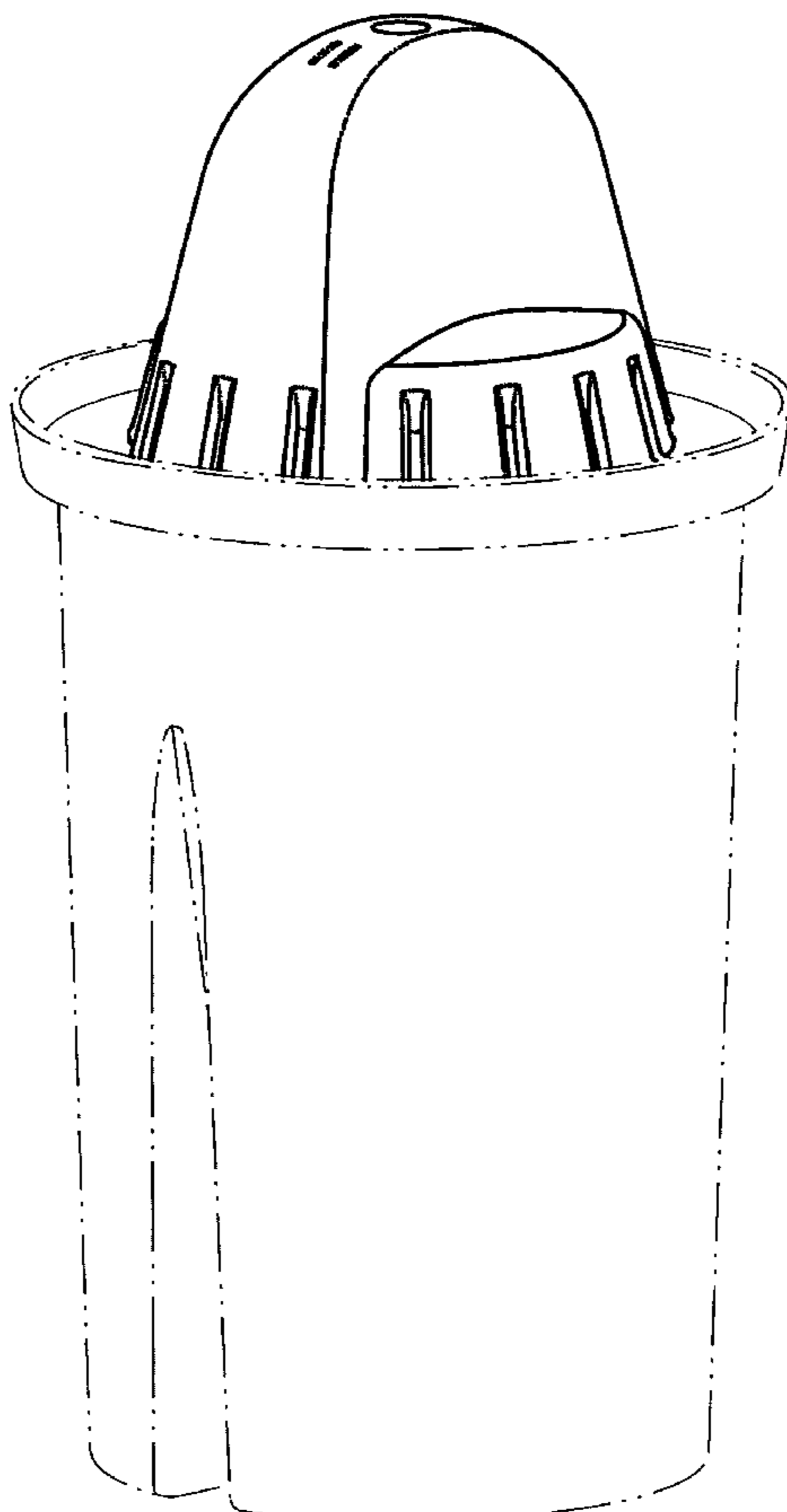
The broken line showing is included for the purpose of illustrating and forms no part of the claimed design.

(56) **References Cited**

**U.S. PATENT DOCUMENTS**

D312,863 S *	12/1990	Hankammer	.....	D23/209
D380,535 S *	7/1997	Joergensen	.....	D23/365
5,811,004 A *	9/1998	Robertson et al.	.....	210/482
5,989,424 A	11/1999	Serenko et al.		
D435,084 S *	12/2000	Northern et al.	.....	D23/209
6,238,552 B1 *	5/2001	Shannon	.....	210/94
D450,531 S	11/2001	McGrath et al.		
D459,941 S	7/2002	Miller		

**1 Claim, 6 Drawing Sheets**



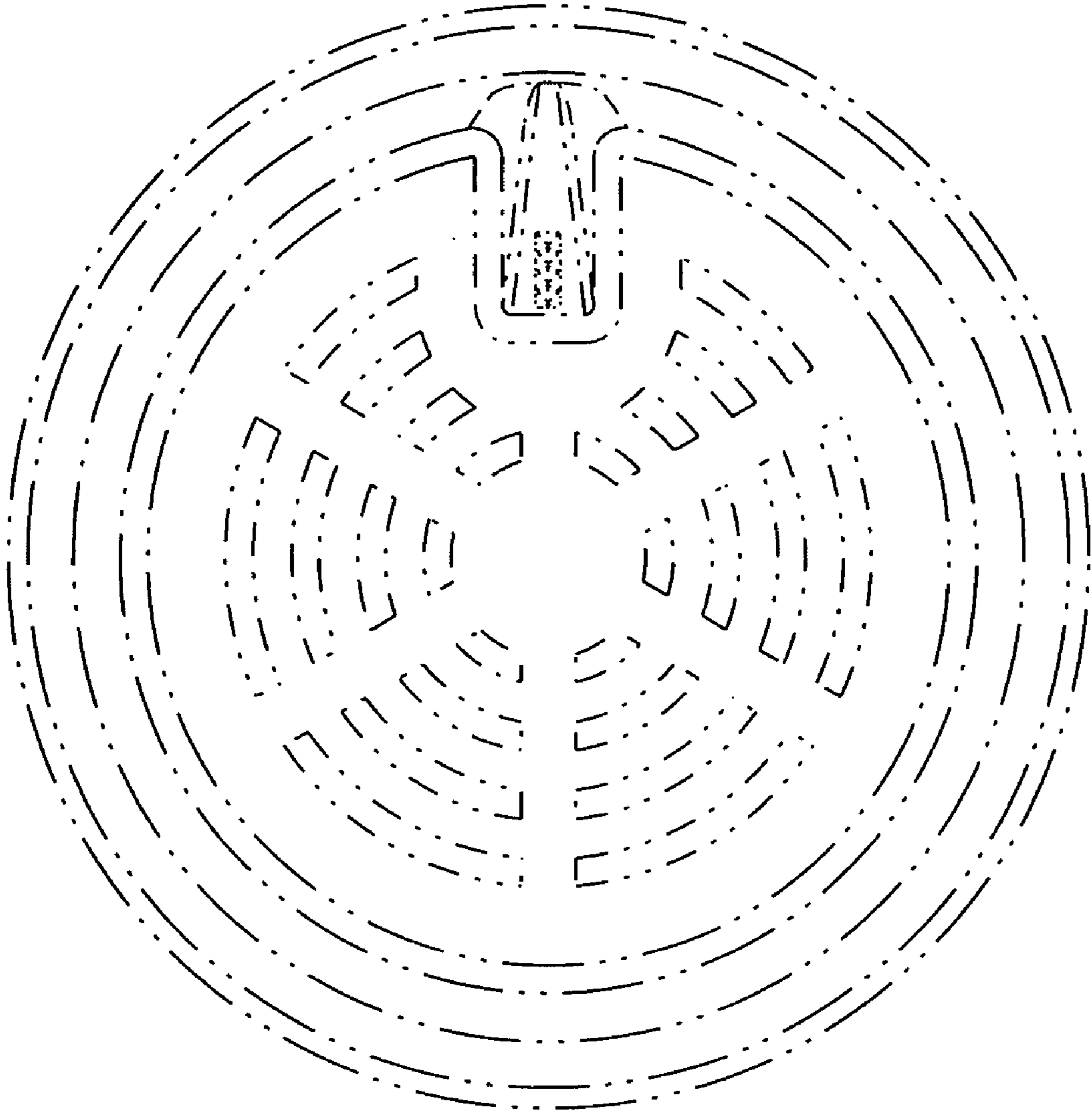


Fig. 1

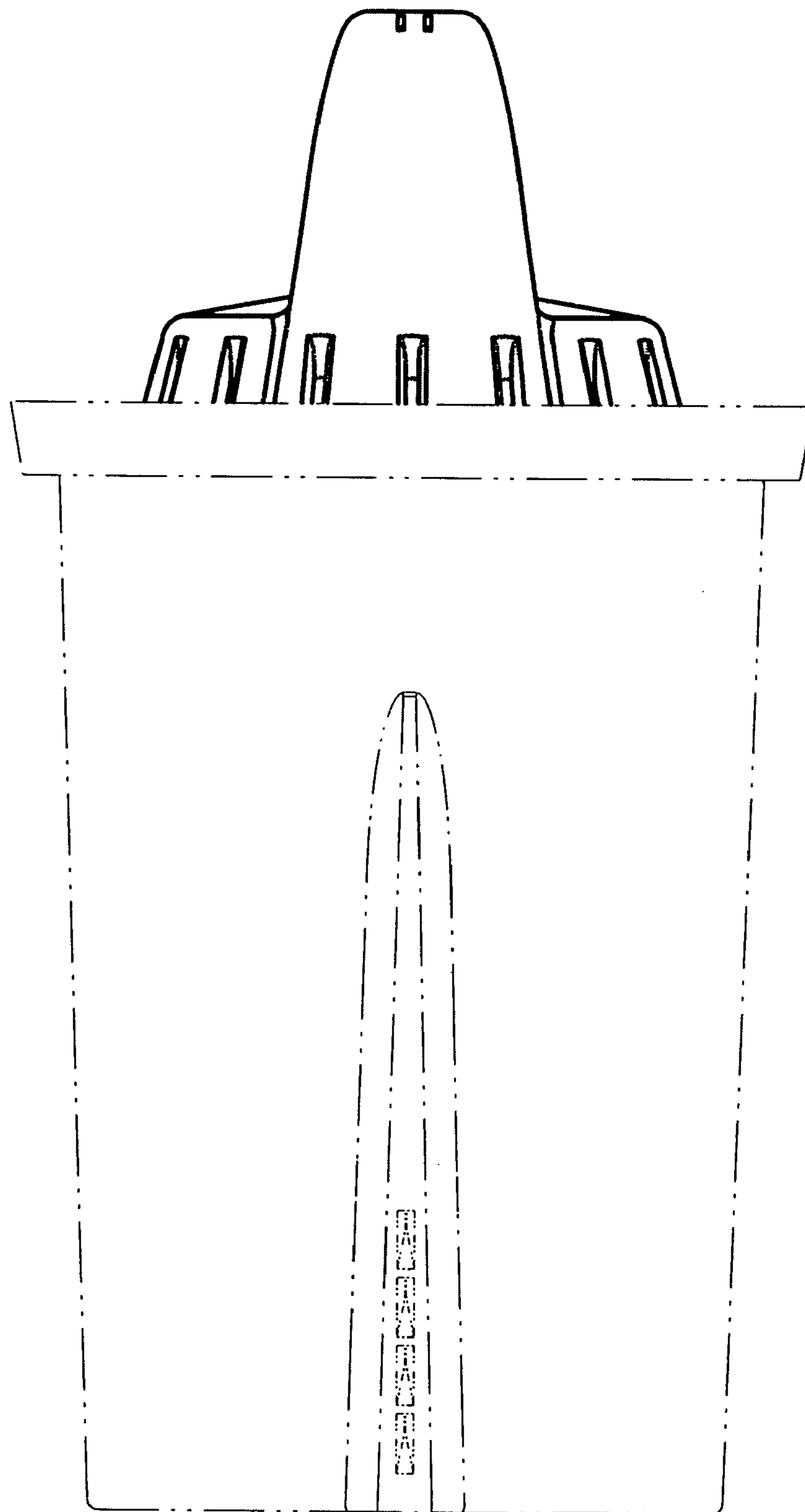


Fig. 2

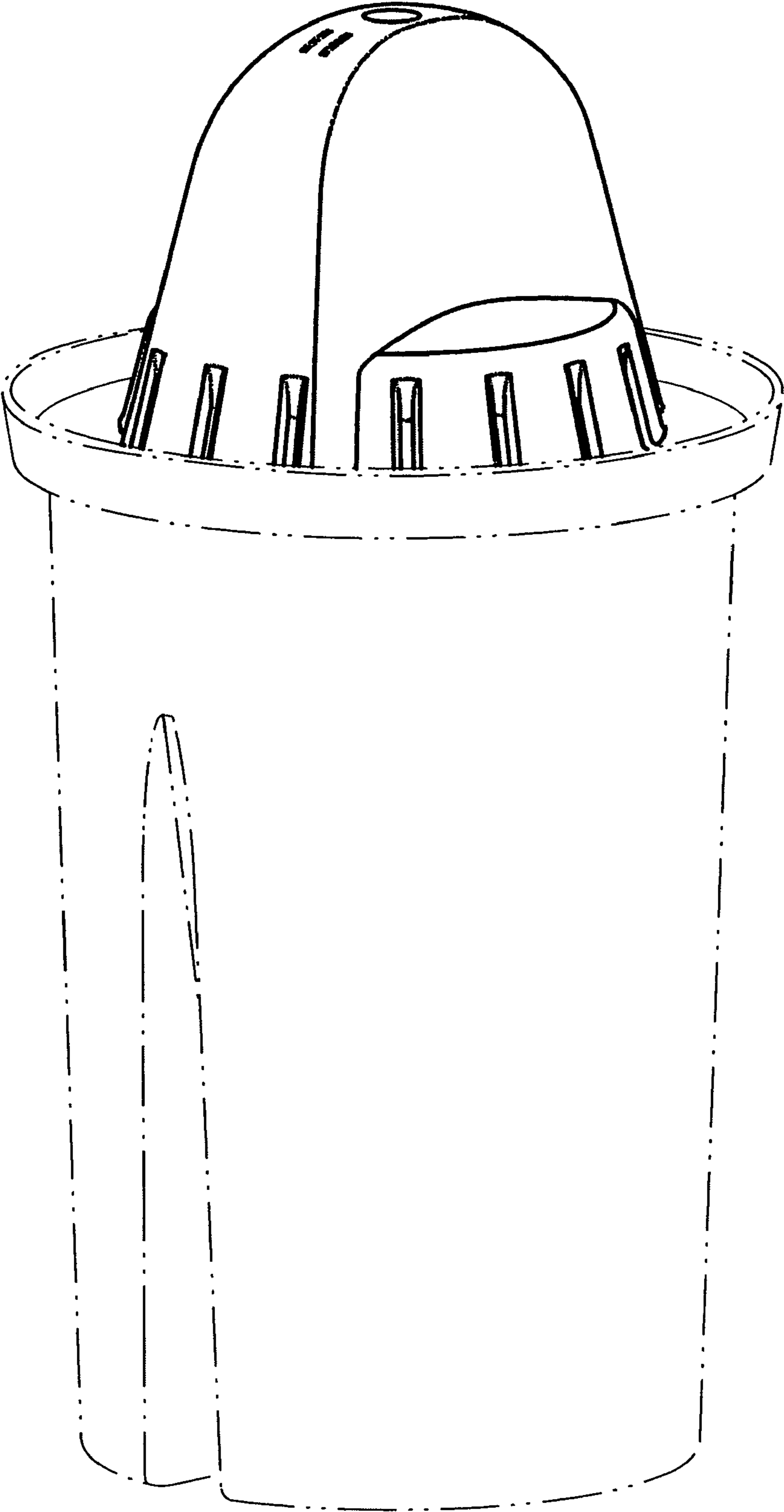


Fig. 3

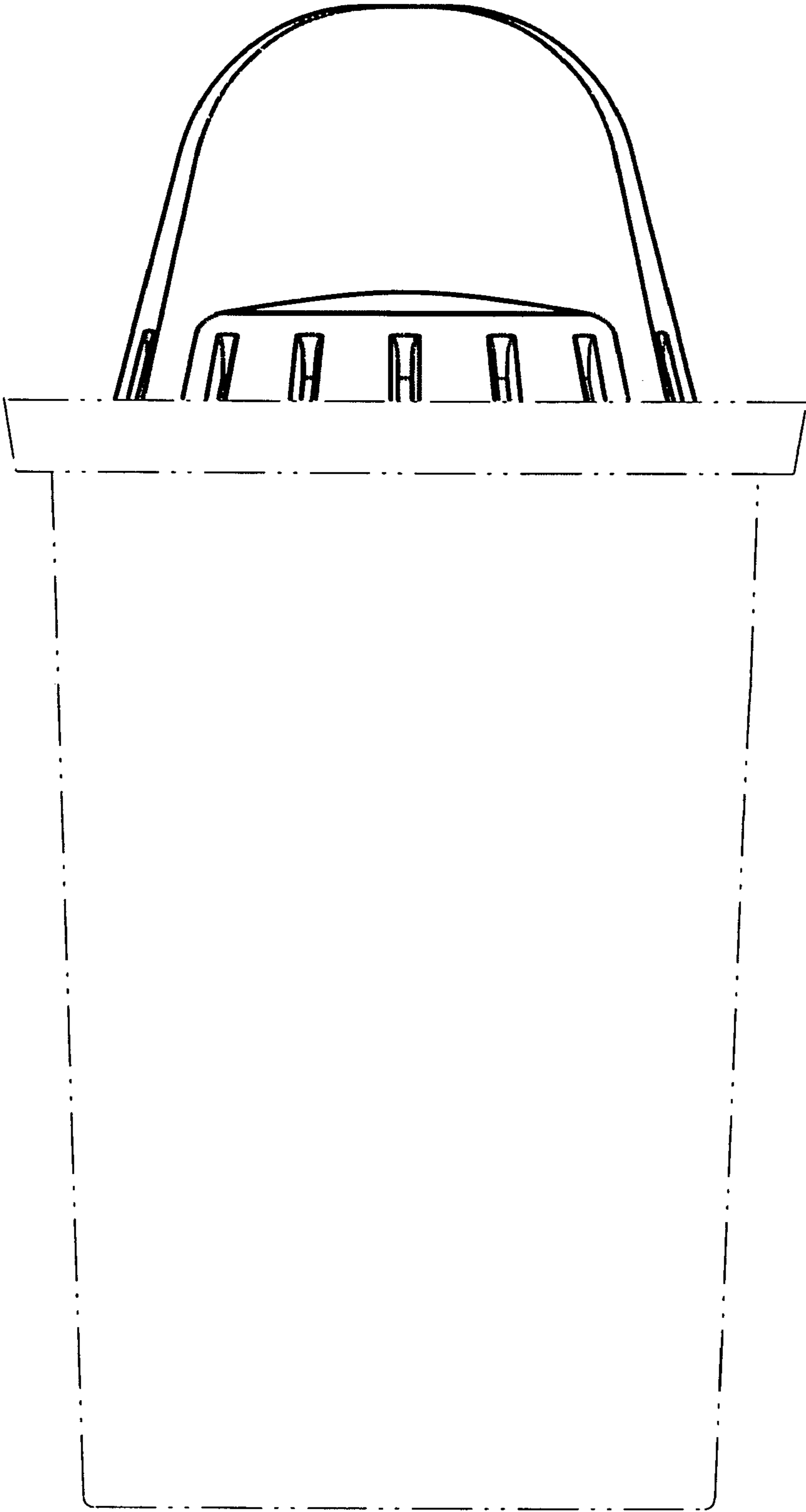


Fig. 4

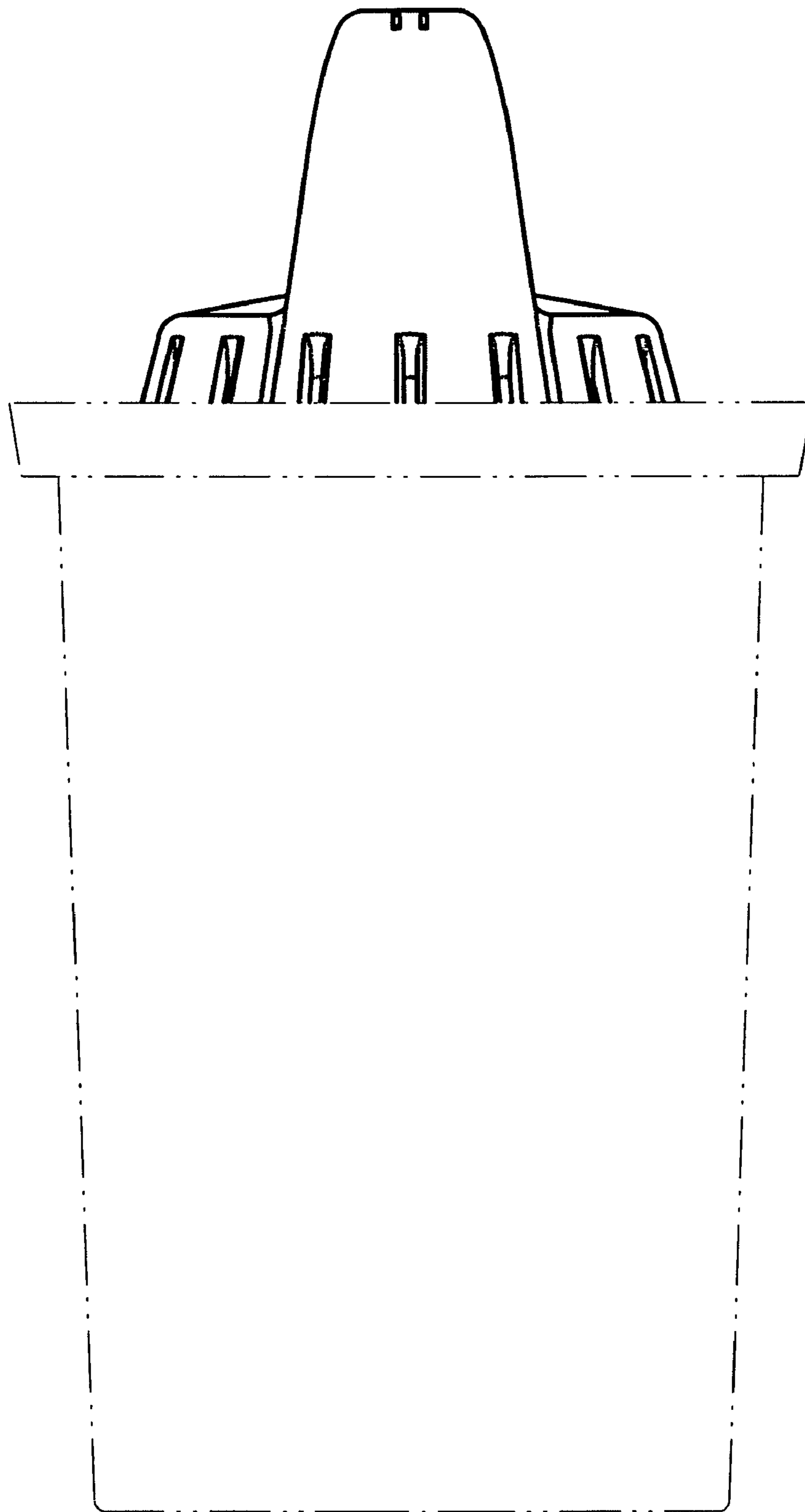


Fig. 5

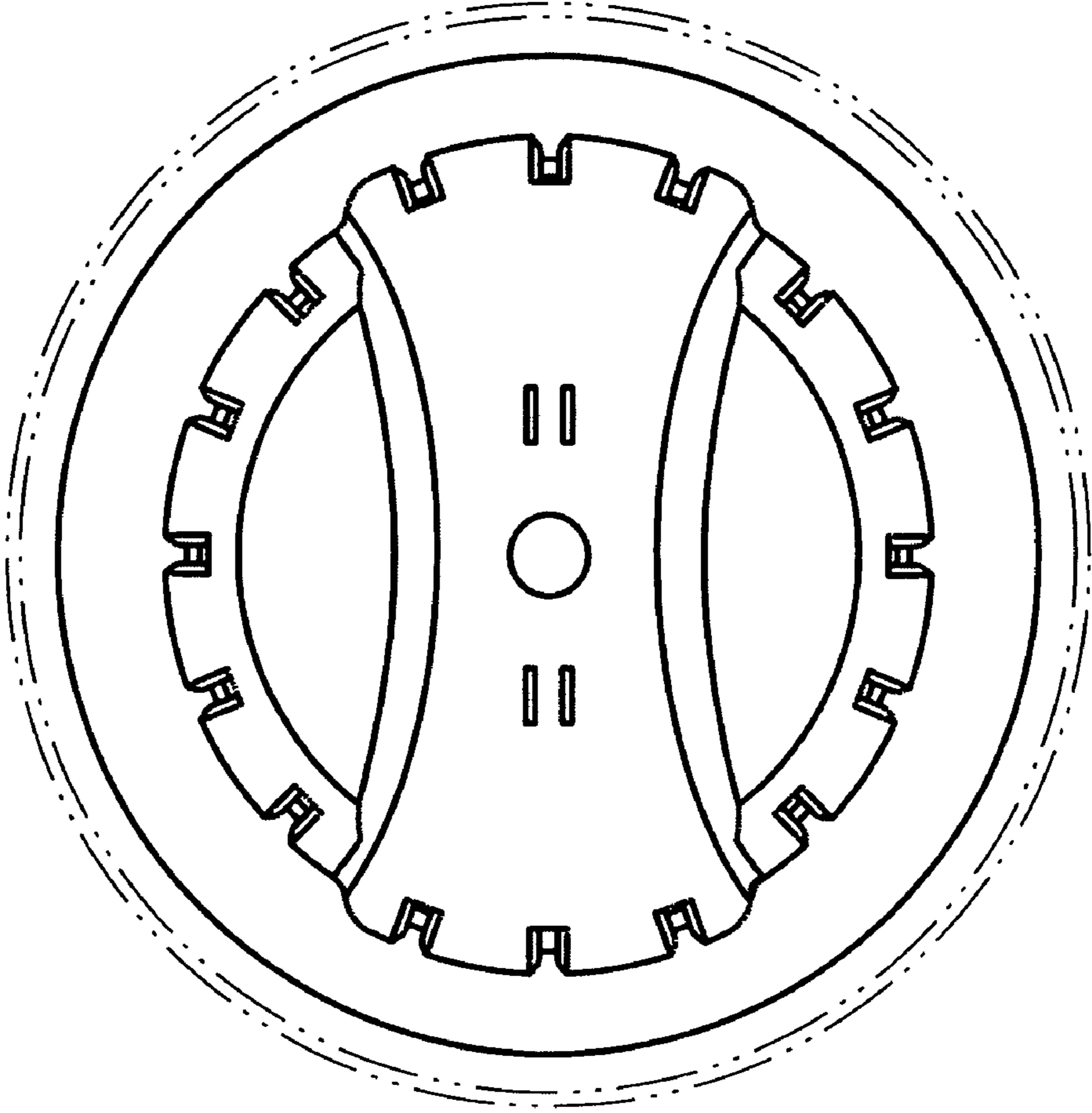


Fig. 6