

US00D565147S

(12) **United States Design Patent**
Nago

(10) **Patent No.:** **US D565,147 S**
(45) **Date of Patent:** **** Mar. 25, 2008**

(54) **FISHING REEL**

(75) Inventor: **Akira Nago**, Sakai (JP)

(73) Assignee: **Shimano Inc.**, Osaka (JP)

(**) Term: **14 Years**

(21) Appl. No.: **29/259,683**

(22) Filed: **May 15, 2006**

(30) **Foreign Application Priority Data**

Nov. 17, 2005 (JP) 2005-033916

(51) **LOC (8) Cl.** **22-05**

(52) **U.S. Cl.** **D22/141**

(58) **Field of Classification Search** D22/137-141;
242/234-240, 310-312, 314, 319, 323

See application file for complete search history.

(56) **References Cited**

U.S. PATENT DOCUMENTS

5,568,787 A * 10/1996 Forslund 242/323

5,799,889 A * 9/1998 Plestan 242/323

D530,778 S * 10/2006 Young D22/141

2005/0040269 A1 * 2/2005 Iwabuchi et al. 242/311

* cited by examiner

Primary Examiner—Catherine R Oliver

(74) *Attorney, Agent, or Firm*—Global IP Counselors, LLP

(57) **CLAIM**

The ornamental design for a fishing reel, as shown and described.

DESCRIPTION

FIG. 1 is a first perspective view of a fishing reel in accordance with my new design;

FIG. 2 is a second perspective view of the fishing reel in accordance with my new design;

FIG. 3 is a side elevational view of the fishing reel in accordance with my new design;

FIG. 4 is a top plan view of the fishing reel in accordance with my new design;

FIG. 5 is a bottom plan view of the fishing reel in accordance with my new design;

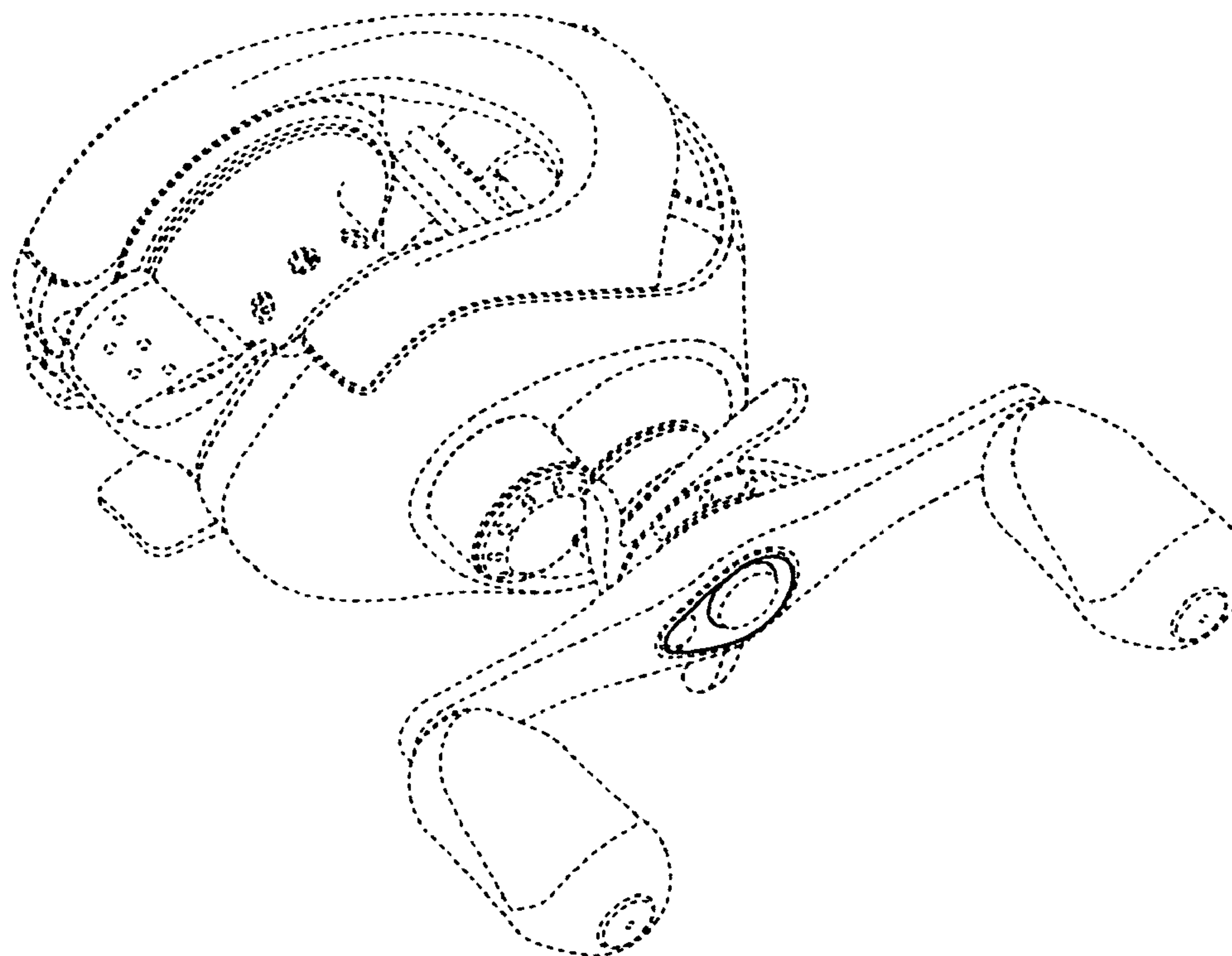
FIG. 6 is an enlarged, side elevational view of the fishing reel in accordance with my new design;

FIG. 7 is an enlarged, cross sectional view of the fishing reel in accordance with my new design as seen along section line 7—7 of FIG. 6; and,

FIG. 8 is an enlarged, cross sectional view of the fishing reel in accordance with my new design as seen along section line 8—8 of FIG. 6.

The broken line showing of environment (the remaining structure of the fishing reel) in the Figures is for illustrative purposes only and forms no part of the claimed design.

1 Claim, 5 Drawing Sheets



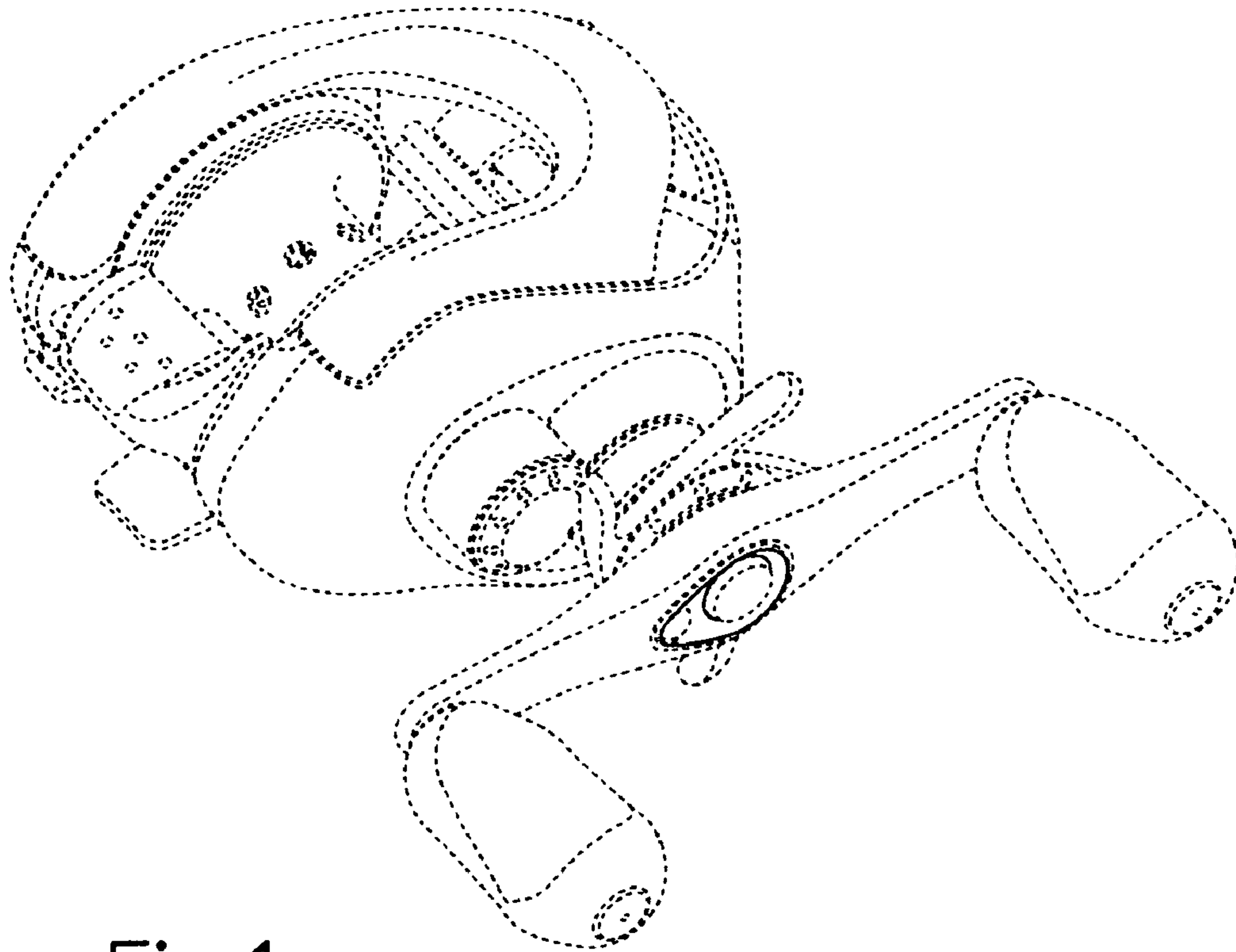


Fig.1

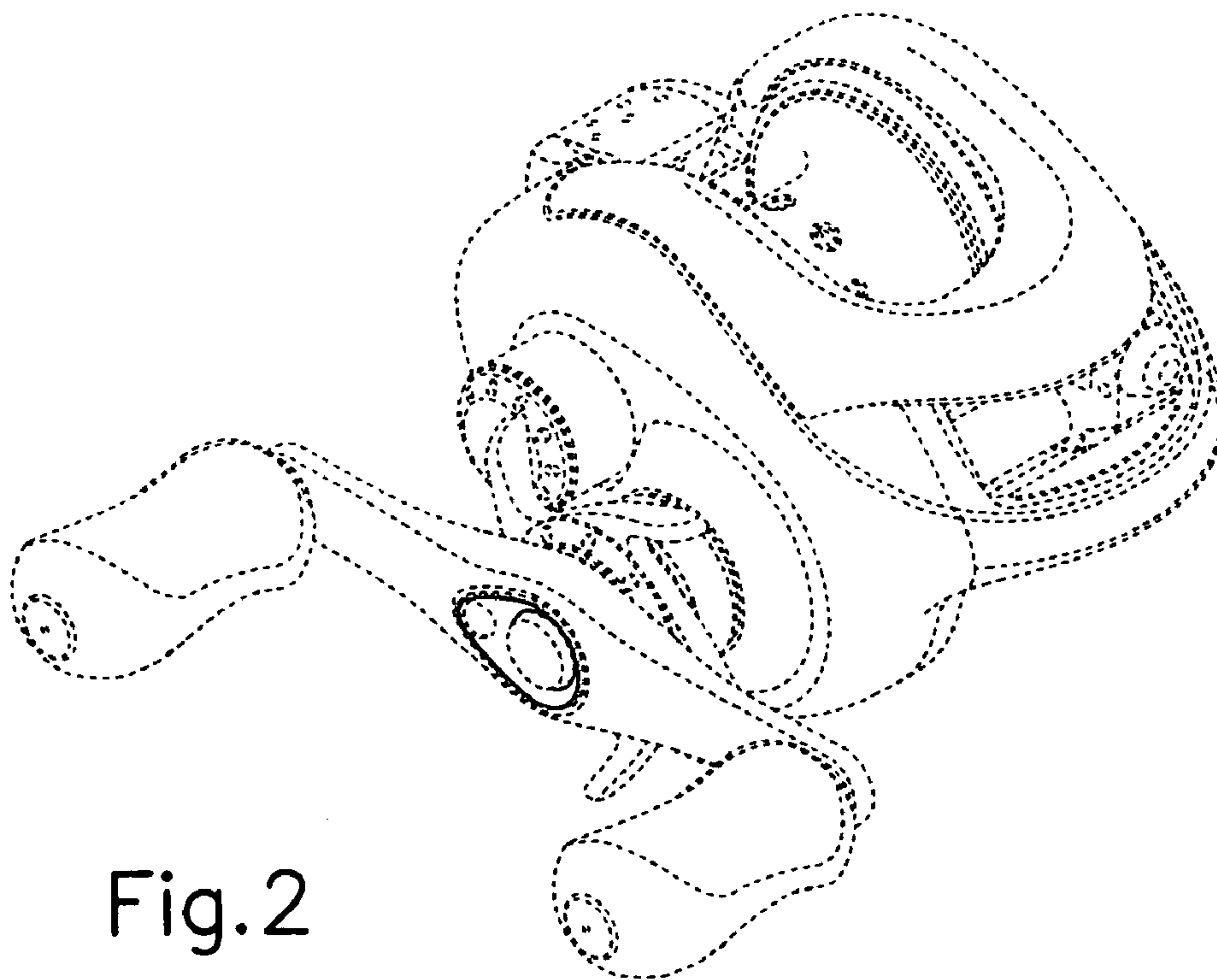


Fig.2

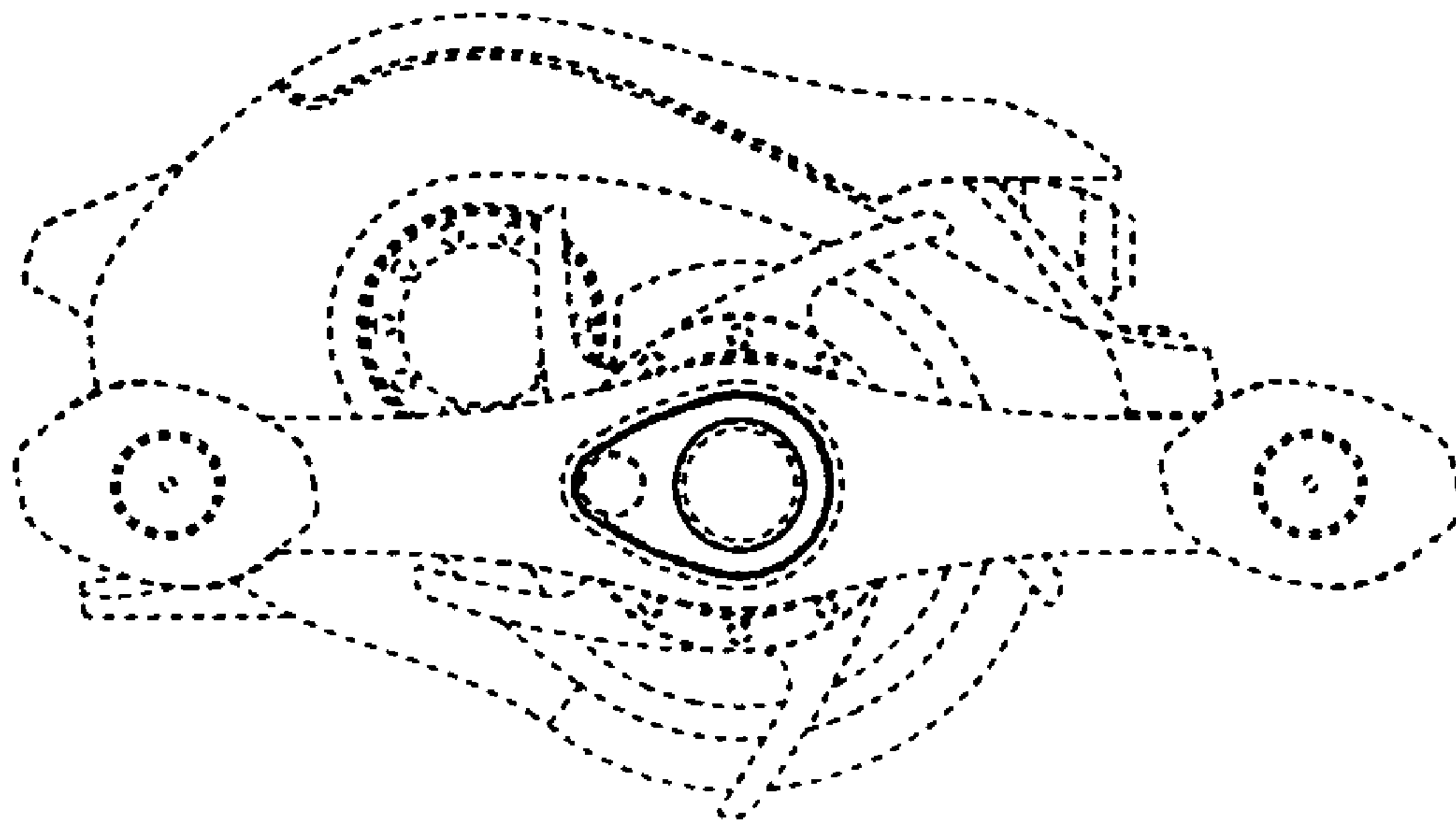


Fig. 3

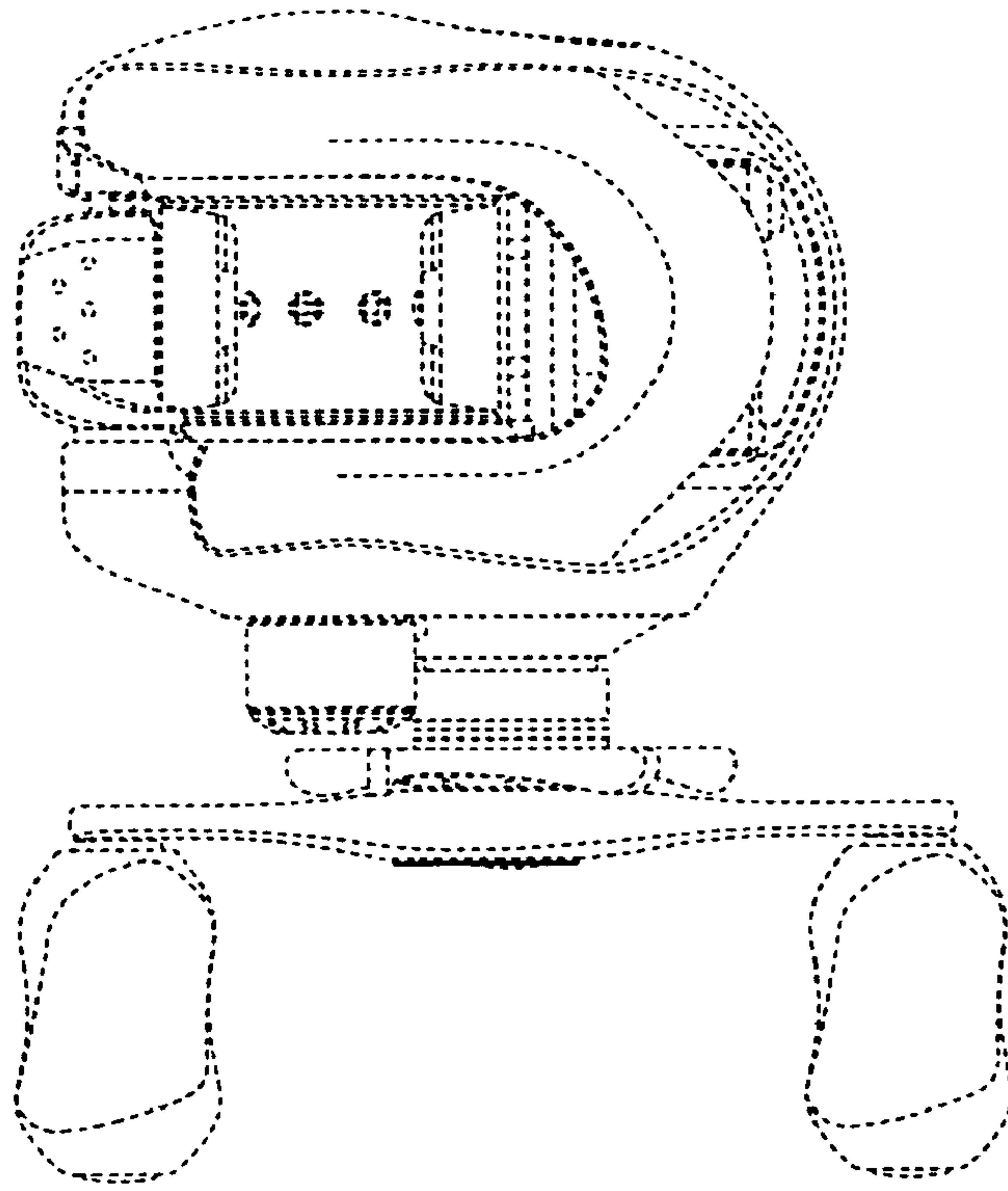


Fig. 4

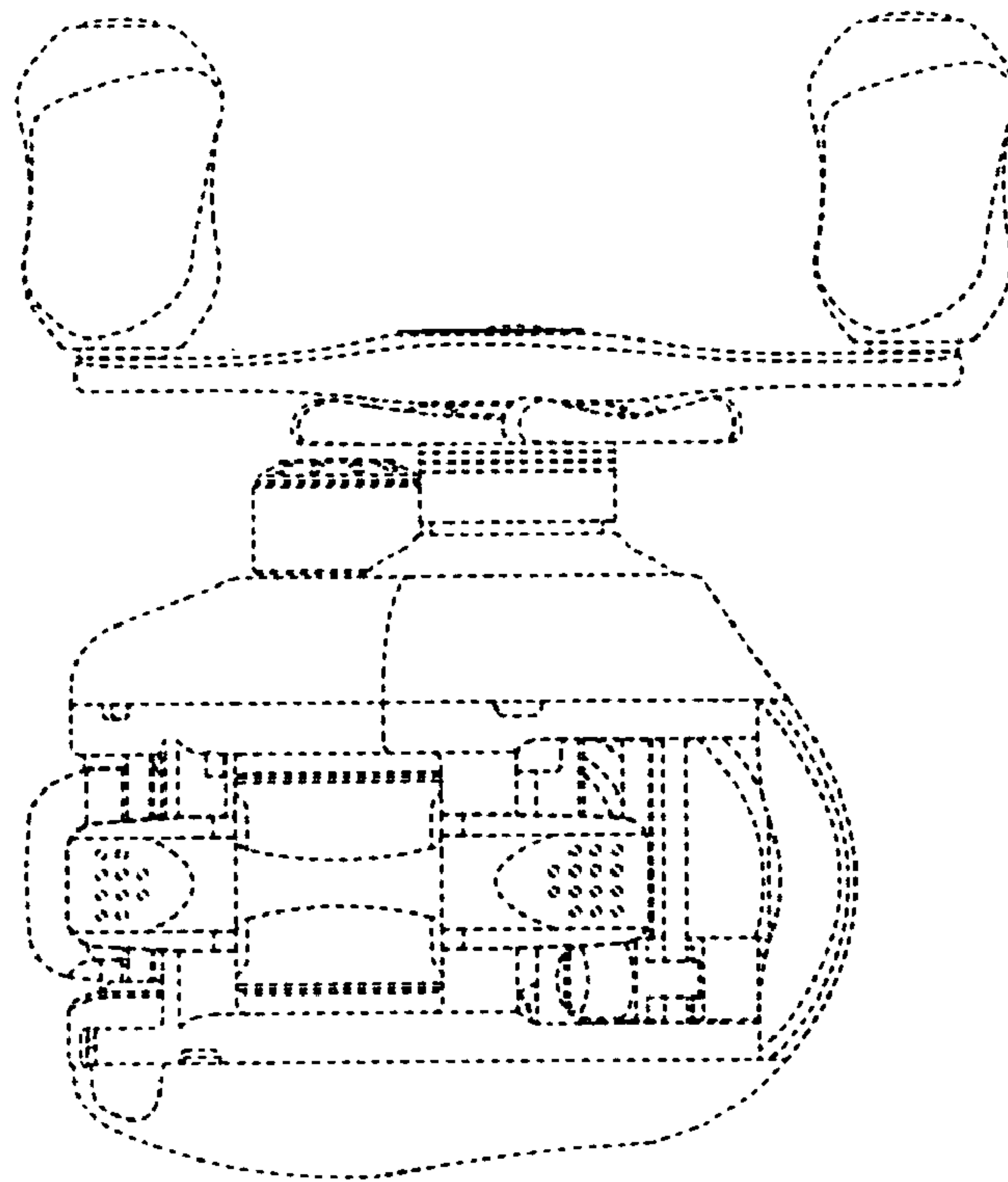


Fig. 5

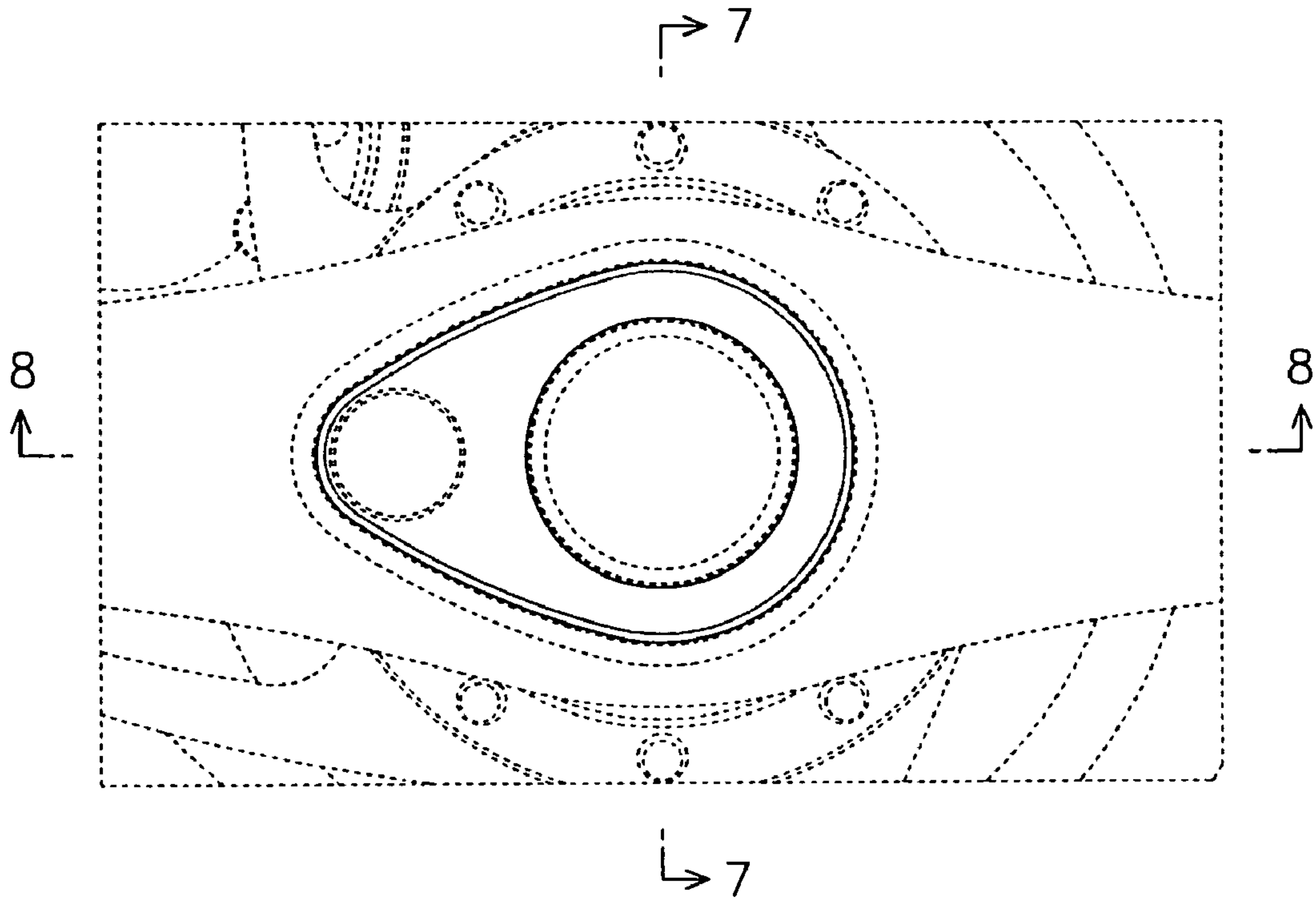


Fig. 6

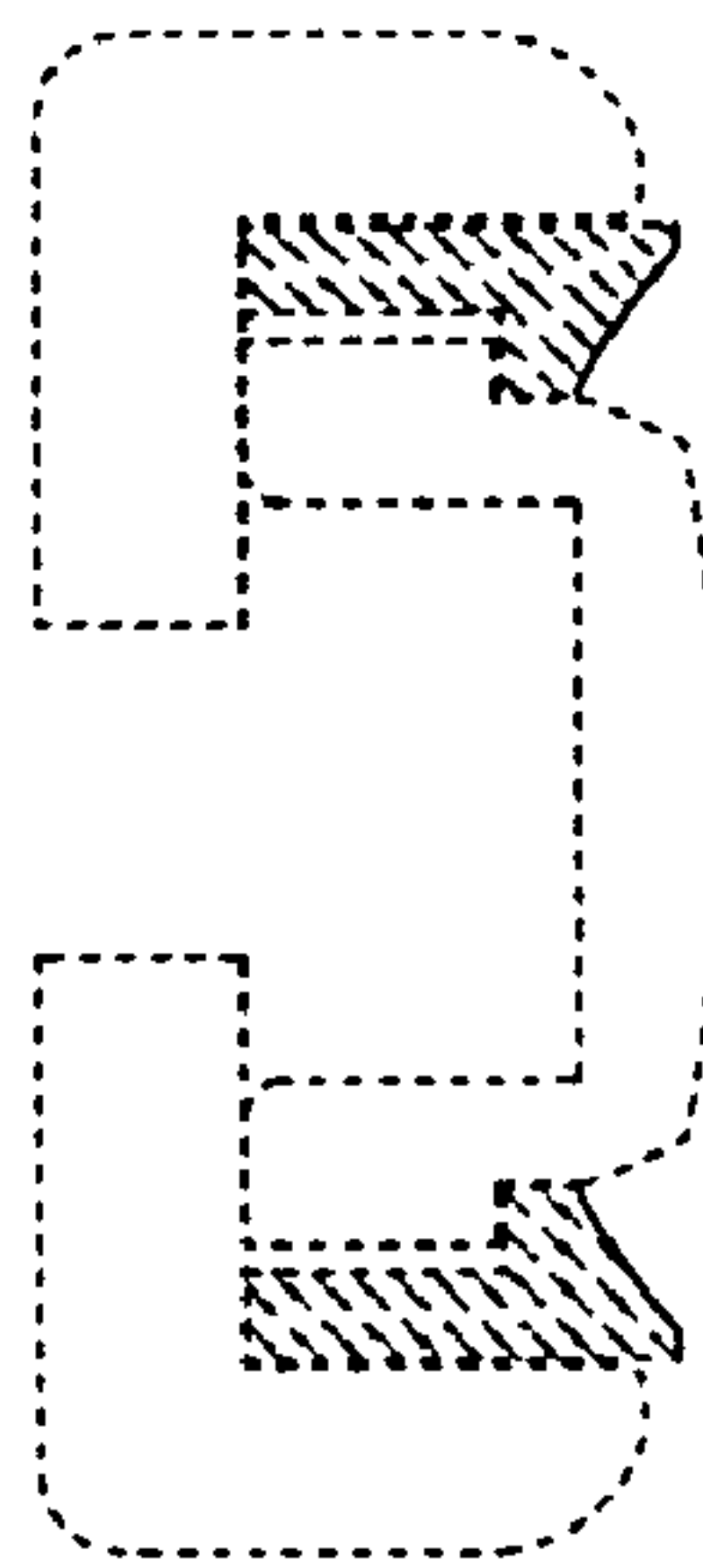


Fig. 7

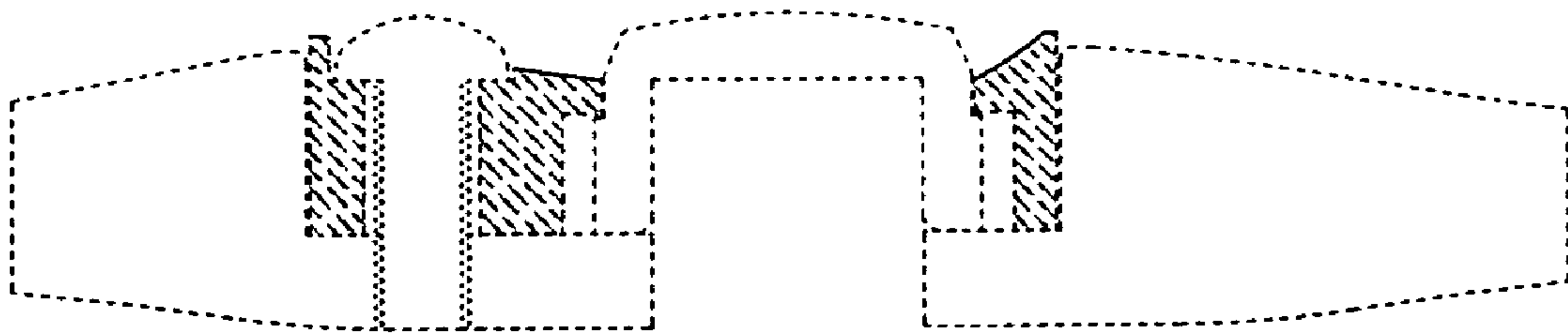


Fig.8