



US00D565144S

(12) **United States Design Patent**
Price

(10) **Patent No.:** **US D565,144 S**
(45) **Date of Patent:** **** Mar. 25, 2008**

(54) **SIGHT FOR USE ON FIREARMS**

(76) Inventor: **Donald H. Price**, 1574 Coburg Rd.,
Suite 194, Eugene, OR (US) 97401

(**) Term: **14 Years**

(21) Appl. No.: **29/232,652**

(22) Filed: **Jun. 21, 2005**

(51) **LOC (8) Cl.** **22-01**

(52) **U.S. Cl.** **D22/109**

(58) **Field of Classification Search** D22/100,
D22/108, 109, 110, 199; 42/111–113, 120,
42/124, 132, 136, 134, 137, 138, 145, 144,
42/148; 89/41.19, 161, 200–204; 33/227

See application file for complete search history.

(56) **References Cited**

U.S. PATENT DOCUMENTS

882,182 A	3/1908	Thompson
1,171,310 A	2/1916	Bisbee
1,268,537 A	6/1918	Bader
1,363,553 A	12/1920	Moreau
1,755,635 A	4/1930	Dindinger
2,706,335 A	4/1955	Munsey
D296,227 S	6/1988	Novak
D351,449 S	10/1994	Dagley
D361,366 S	8/1995	Emerson
D363,334 S	10/1995	De Oliveira Masina
D382,038 S	8/1997	Nigh
5,822,872 A	10/1998	Waki
D403,734 S	1/1999	Kay
6,058,616 A	5/2000	Bubits
D428,102 S	7/2000	Flubacher et al.
D432,618 S	10/2000	Wilson
D435,080 S	12/2000	Ling, Jr.
D435,282 S	12/2000	Ling, Jr.
D436,393 S	1/2001	Ling, Jr.

(Continued)

OTHER PUBLICATIONS

North Pass, Ltd.; HiViz Shooting Systems Catalog; TriViz Sight;
2005; p. 5; U.S.A.

North Pass, Ltd.; HiViz Shooting Systems Brochure; XCel Archery
Sight; 2005; U.S.A.

Primary Examiner—Charles A. Rademaker

Assistant Examiner—Melanie Levy

(74) *Attorney, Agent, or Firm*—Heisler & Associates

(57) **CLAIM**

The ornamental design for a sight for use on firearms, as
shown and described.

DESCRIPTION

FIG. 1 is a front elevation view of a forward portion of a
sight for use on firearms, according to this invention.

FIG. 2 is a perspective view of the forward portion of the
invention.

FIG. 3 is a front elevation view of a rearward portion of the
invention.

FIG. 4 is a perspective view of the rearward portion of the
invention.

FIG. 5 is a front elevation view of the entire invention.

FIG. 6 is a perspective view of the entire invention.

FIG. 7 is a front elevation view of a second embodiment
showing the forward portion of the invention.

FIG. 8 is a perspective view of the second embodiment
showing the forward portion of the invention.

FIG. 9 is a front elevation view of the second embodiment
showing the rearward portion of the invention.

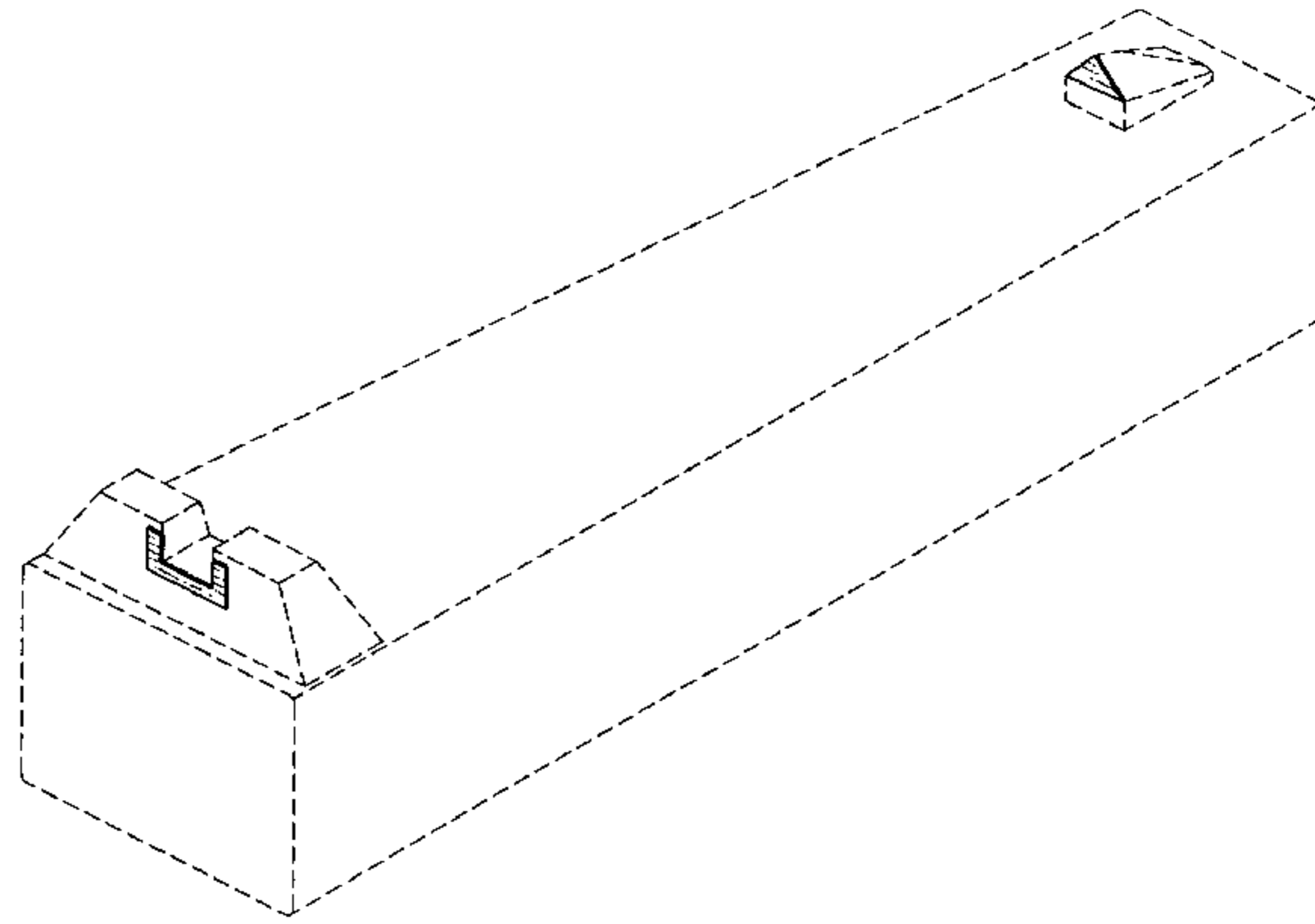
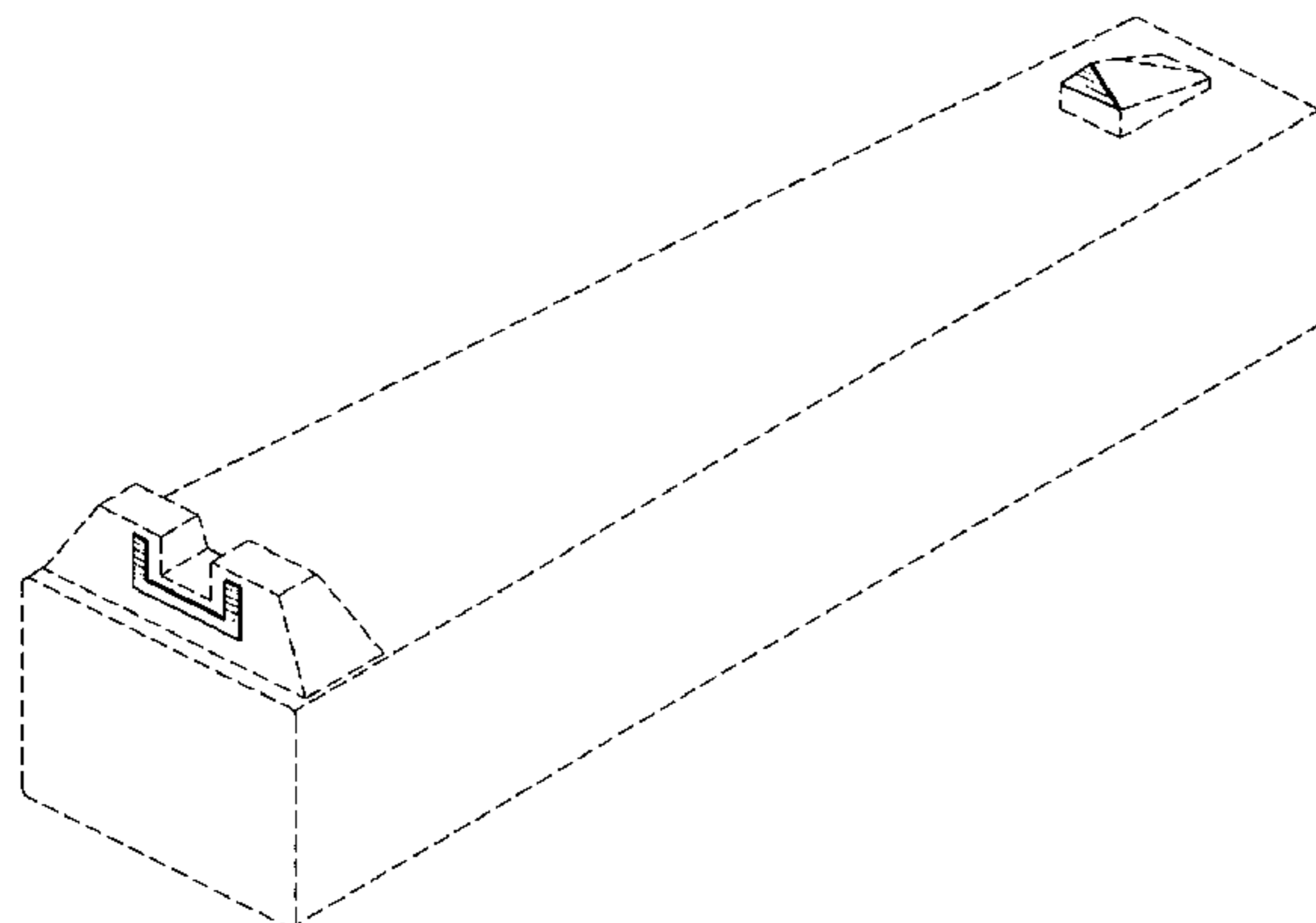
FIG. 10 is a perspective view of the second embodiment
showing the rearward portion of the invention.

FIG. 11 is a front elevation view of the second embodiment
of the entire invention; and,

FIG. 12 is a perspective view of the second embodiment of
the entire invention.

The broken lines in FIGS. 1–12 are for purposes of illus-
tration only and form no part of the claimed design.

1 Claim, 2 Drawing Sheets



US D565,144 S

Page 2

U.S. PATENT DOCUMENTS

D443,016 S	5/2001	Nigh			
6,233,836 B1	5/2001	Uhlmann et al.			
6,360,471 B1	3/2002	Stein			
6,367,189 B1 *	4/2002	Clay	42/145		
6,678,987 B2	1/2004	Howe			
D489,115 S *	4/2004	Nasef	D22/109		
					* cited by examiner
				D492,747 S	7/2004 LoRocco
				6,804,908 B1	10/2004 Hanson
				D515,170 S *	2/2006 Price
				D546,915 S *	7/2007 Price
				2003/0074824 A1 *	4/2003 Arachequesne



Fig. 1

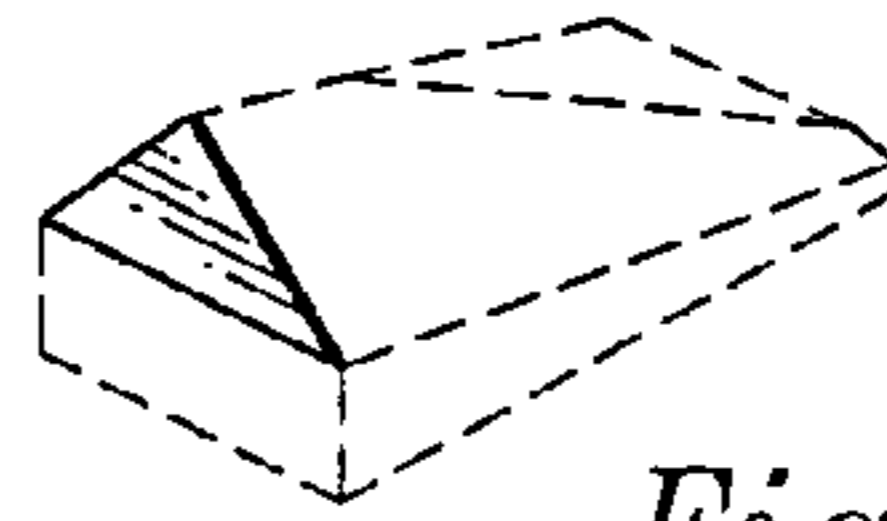


Fig. 2

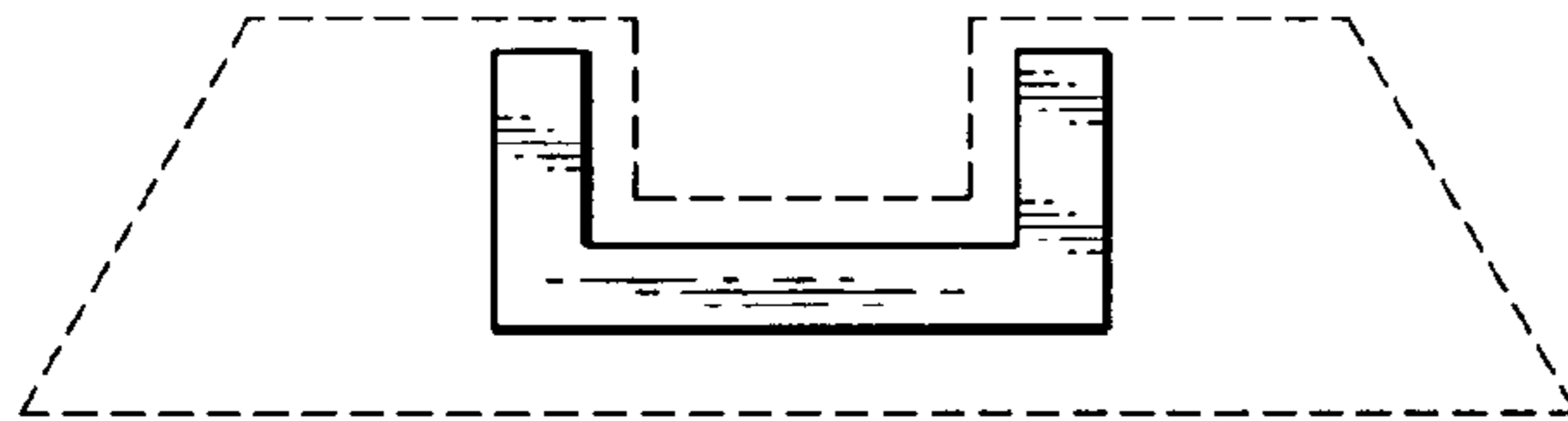


Fig. 3

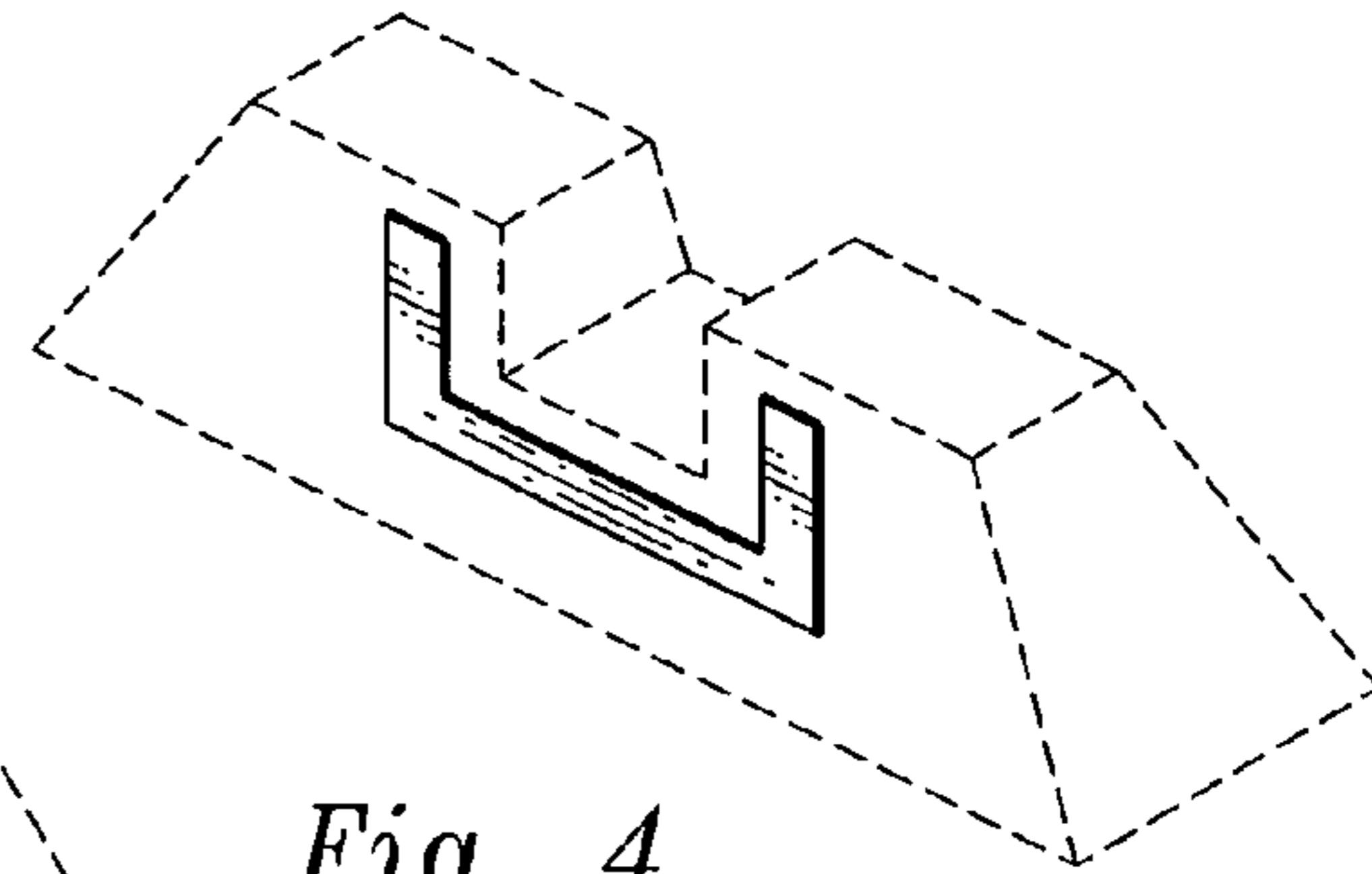


Fig. 4

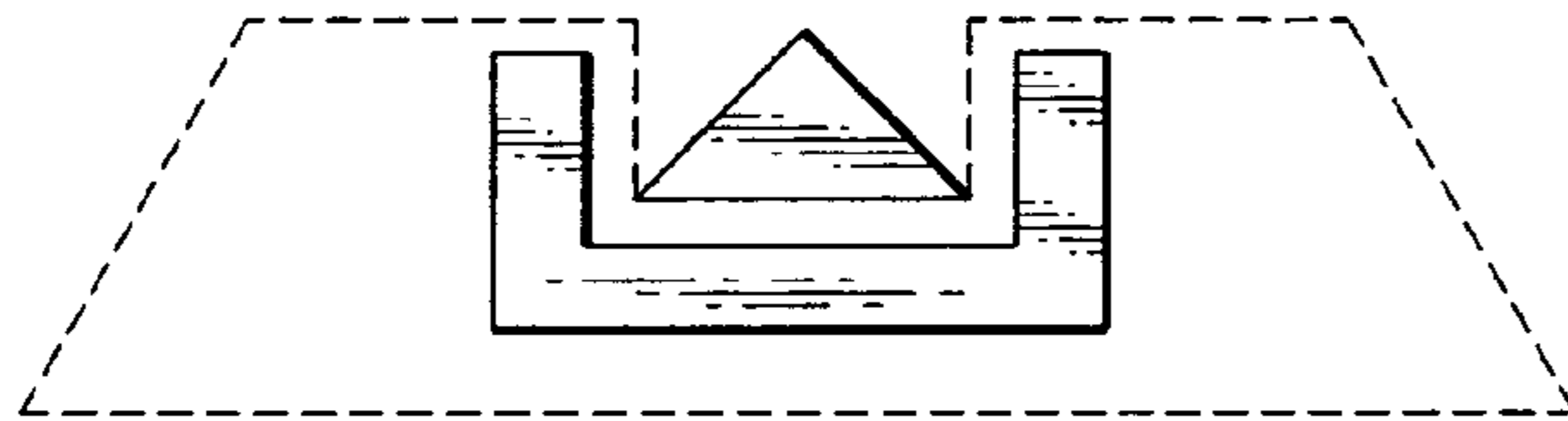


Fig. 5

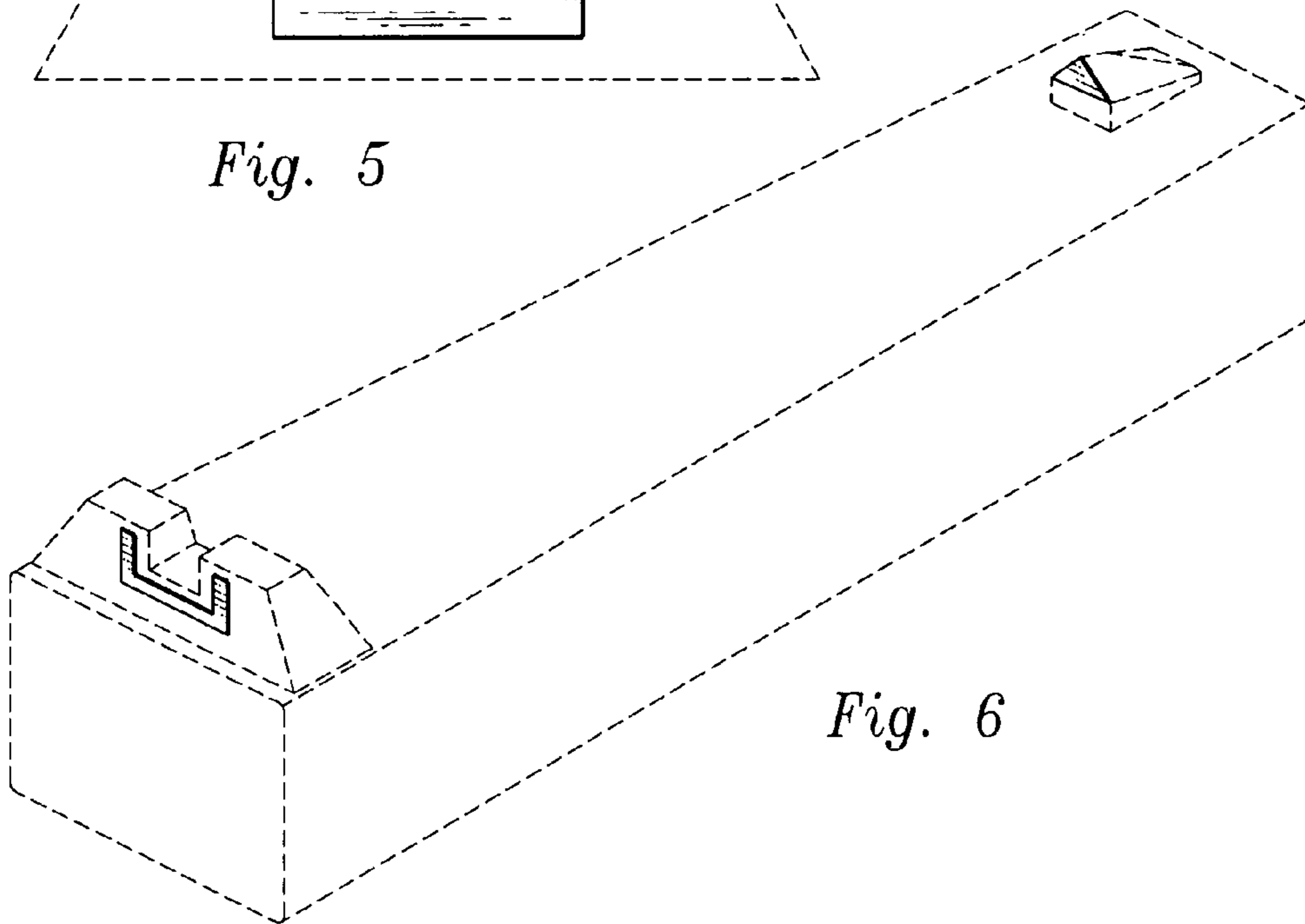


Fig. 6



Fig. 7

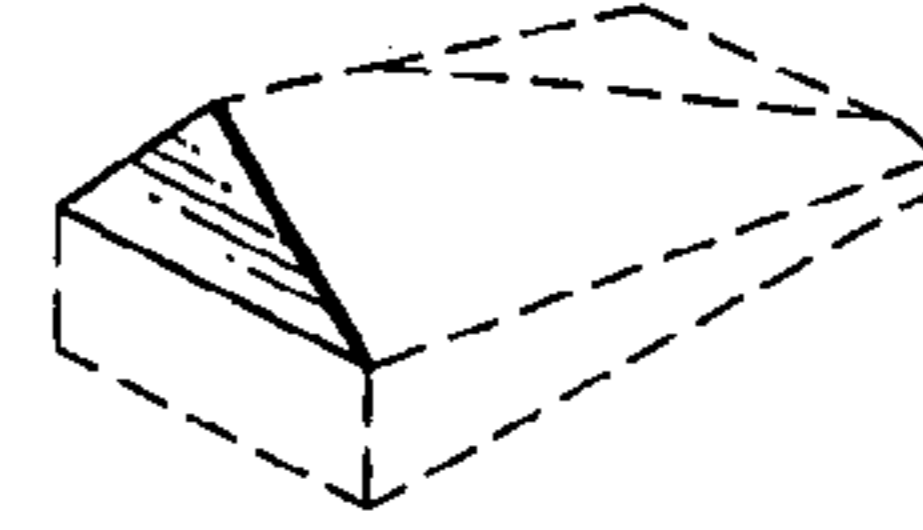


Fig. 8

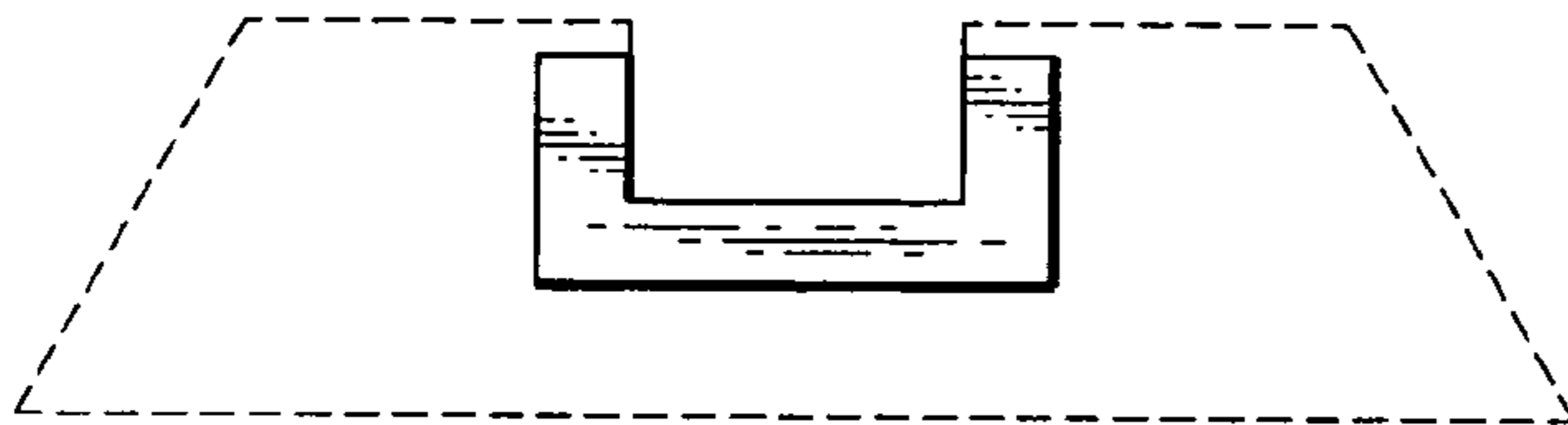


Fig. 9

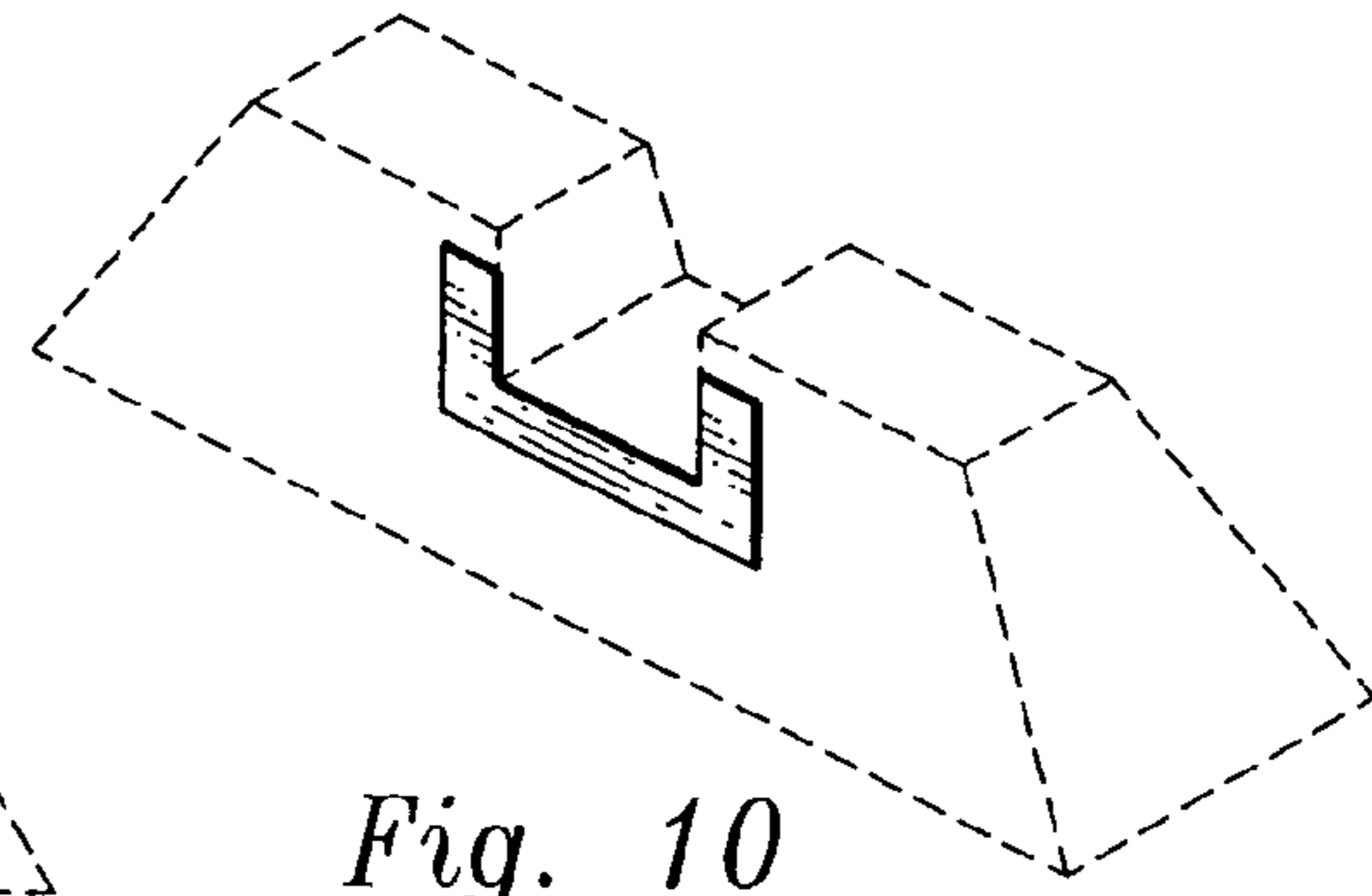


Fig. 10

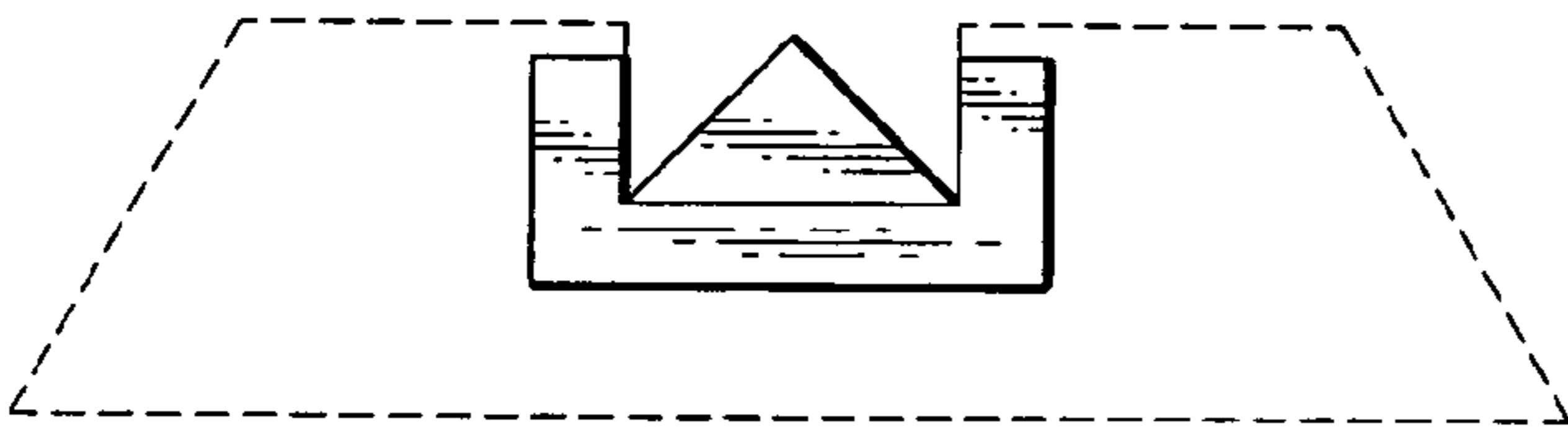


Fig. 11

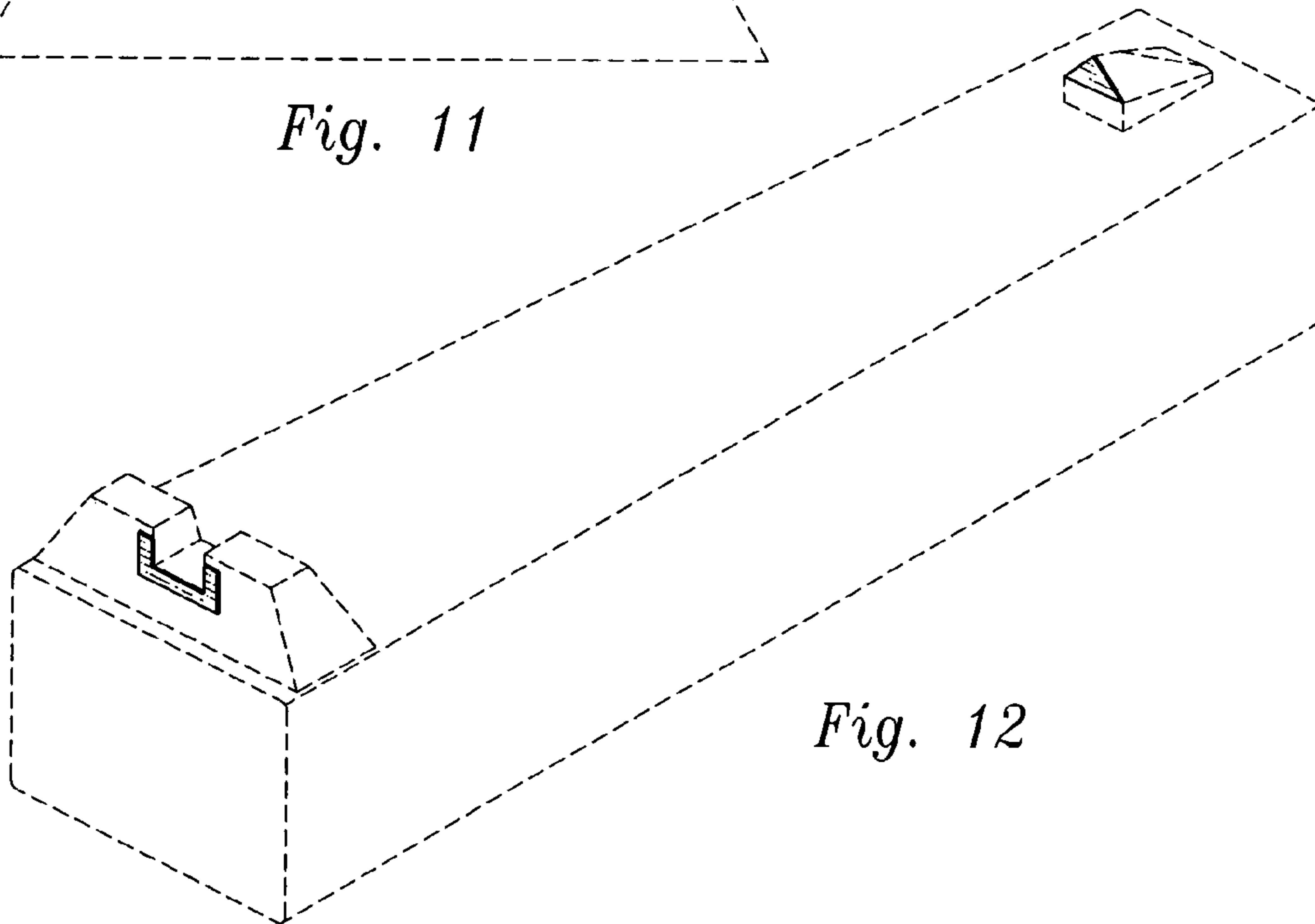


Fig. 12