



US00D565141S

(12) **United States Design Patent** (10) **Patent No.:** **US D565,141 S**  
**Oldknow et al.** (45) **Date of Patent:** **\*\* Mar. 25, 2008**

(54) **GOLF CLUB HEAD FOR A PUTTER**

2005/0137027 A1 6/2005 Thomas  
2007/0213141 A1 9/2007 Jones

(75) Inventors: **Andrew G. V. Oldknow**, Beaverton, OR (US); **David N. Franklin**, Granbury, TX (US); **John T. Stites**, Weatherford, TX (US)

**OTHER PUBLICATIONS**

Golfsmith catalog, 1998, p. 76.

\* cited by examiner

(73) Assignee: **Nike, Inc.**, Beaverton, OR (US)

*Primary Examiner*—Mitchell Siegel

(\*\*) Term: **14 Years**

(74) *Attorney, Agent, or Firm*—Banner & Witcoff, Ltd.

(21) Appl. No.: **29/297,323**

(57) **CLAIM**

(22) Filed: **Nov. 8, 2007**

The ornamental design for a golf club head for a putter, as shown and described.

(51) **LOC (8) Cl.** ..... **21-02**

**DESCRIPTION**

(52) **U.S. Cl.** ..... **D21/759**

FIG. 1 is a top perspective view of a golf club head for a putter showing our new design;

(58) **Field of Classification Search** ..... D21/736–746,

FIG. 2 is a front view thereof;

D21/759; 473/324–331, 340–341, 251–256

FIG. 3 is a rear view thereof;

See application file for complete search history.

FIG. 4 is a toe end view thereof;

(56) **References Cited**

**U.S. PATENT DOCUMENTS**

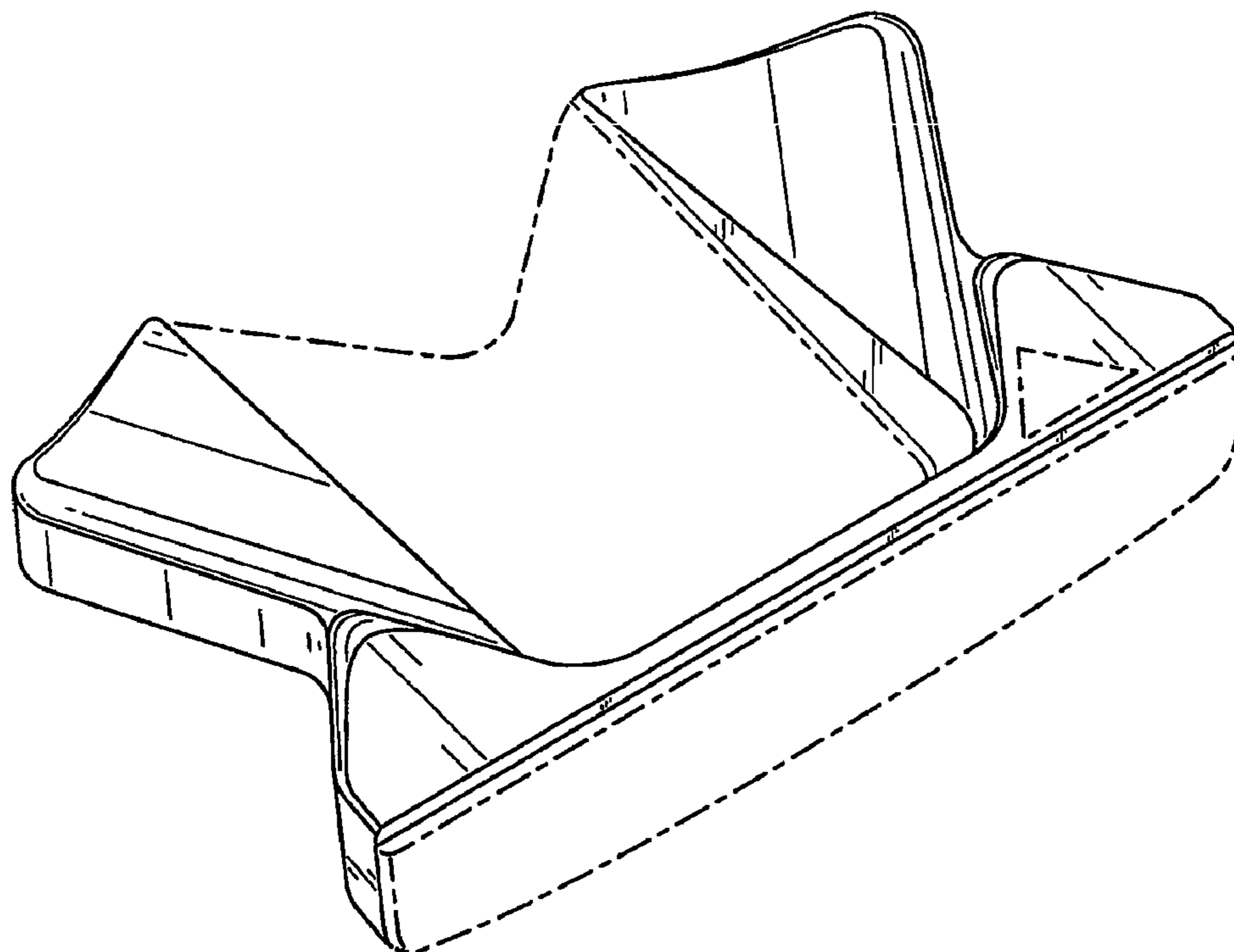
FIG. 5 is a heel end view thereof; and,

FIG. 6 is a top view thereof.

D359,330 S	6/1995	Channell	
D381,382 S	7/1997	Fenton, Jr.	
D399,274 S	10/1998	Bradford	
D400,629 S	11/1998	Markwardt	
D456,055 S *	4/2002	Yerelian	D21/736
D456,472 S	4/2002	Yerelian	
D501,233 S	1/2005	Thomas	
D515,646 S *	2/2006	Perry	D21/742
D520,584 S	5/2006	Karlsen	
D529,109 S	9/2006	Jones	
D542,869 S	5/2007	Adams	

The uneven broken line immediately adjacent to the shaded area represents an unclaimed boundary of the design. The unshaded triangular region within the shaded region and the uneven broken line showing of the remainder of the golf club head for a putter are for illustrative purposes only and form no part of the claimed design.

**1 Claim, 4 Drawing Sheets**



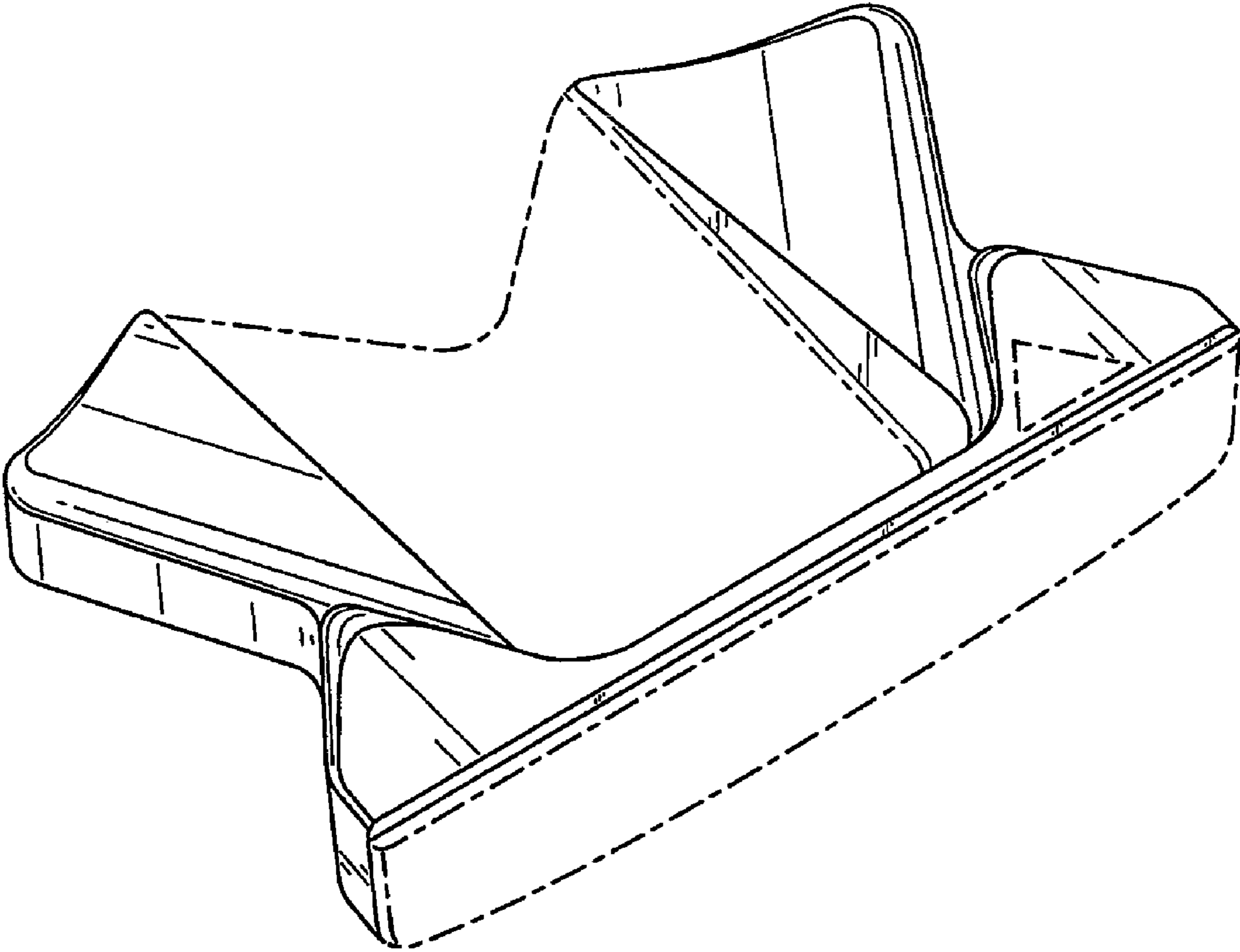


FIG. 1

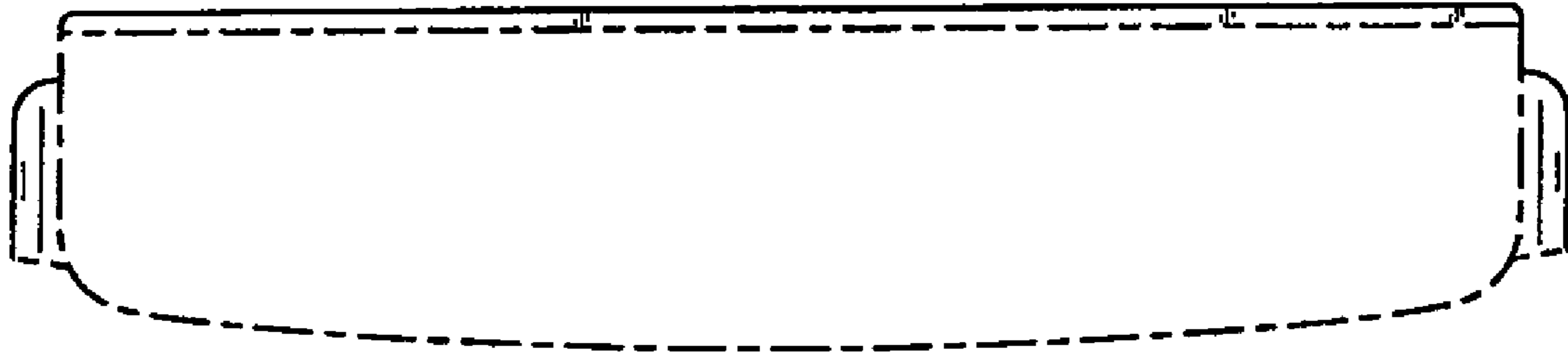


FIG. 2

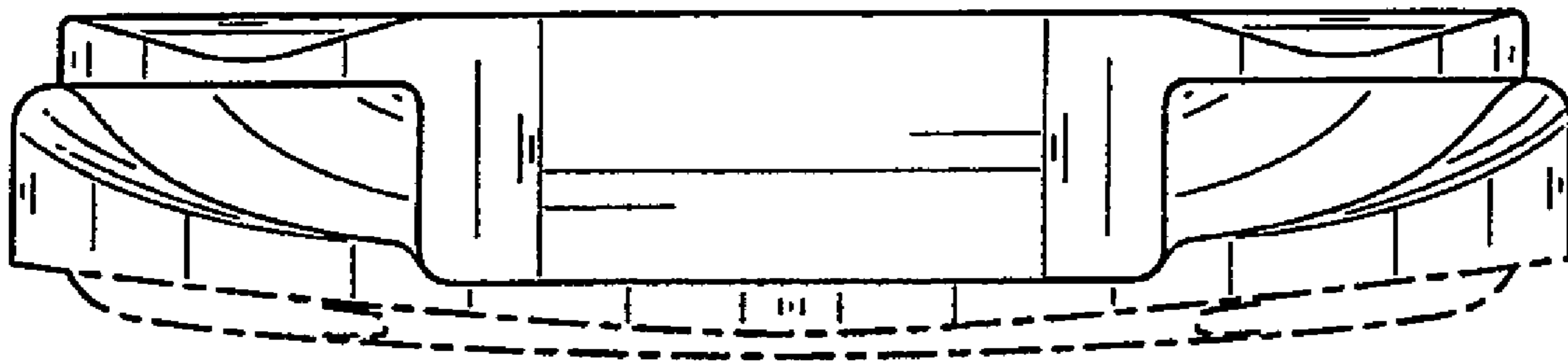


FIG. 3

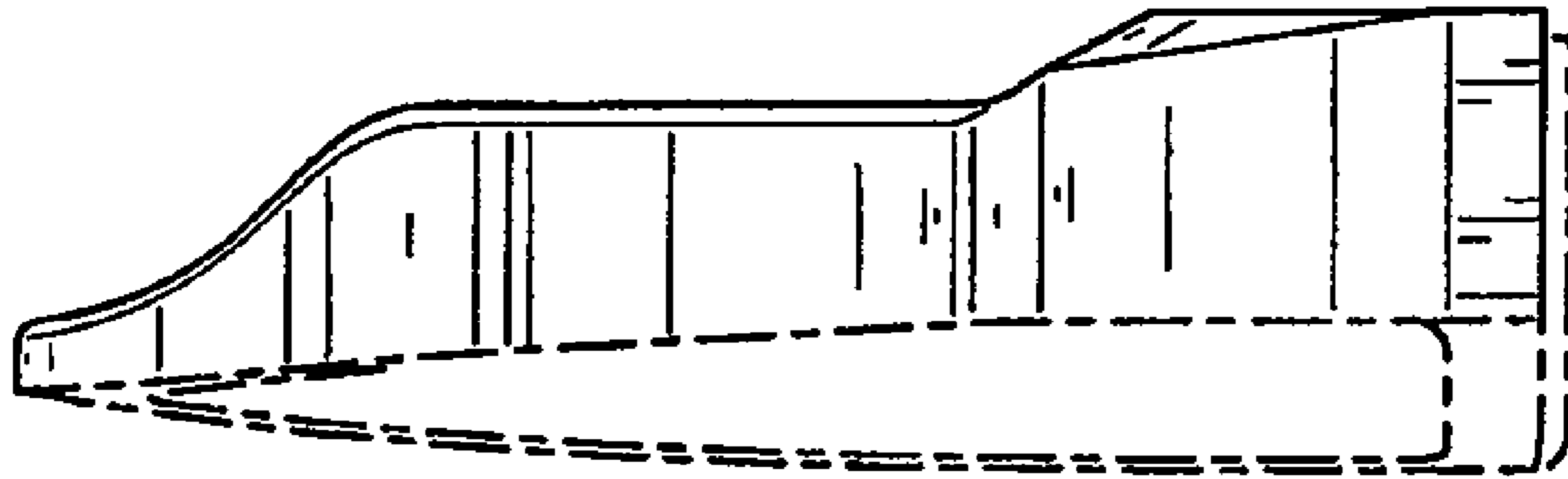


FIG. 4

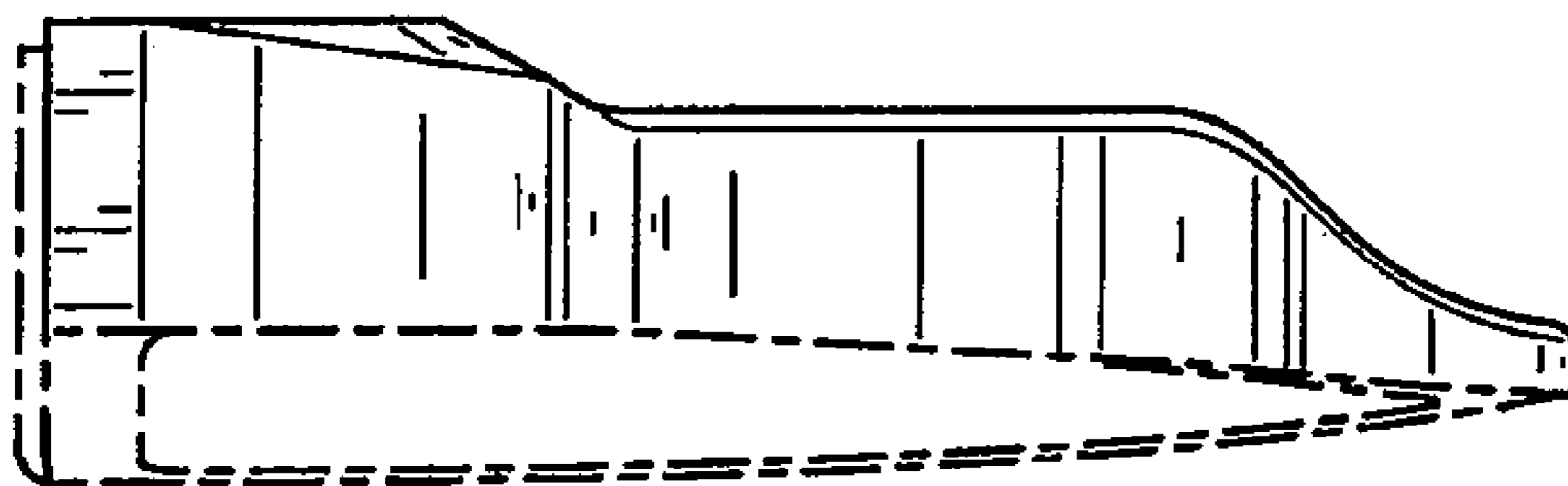


FIG. 5

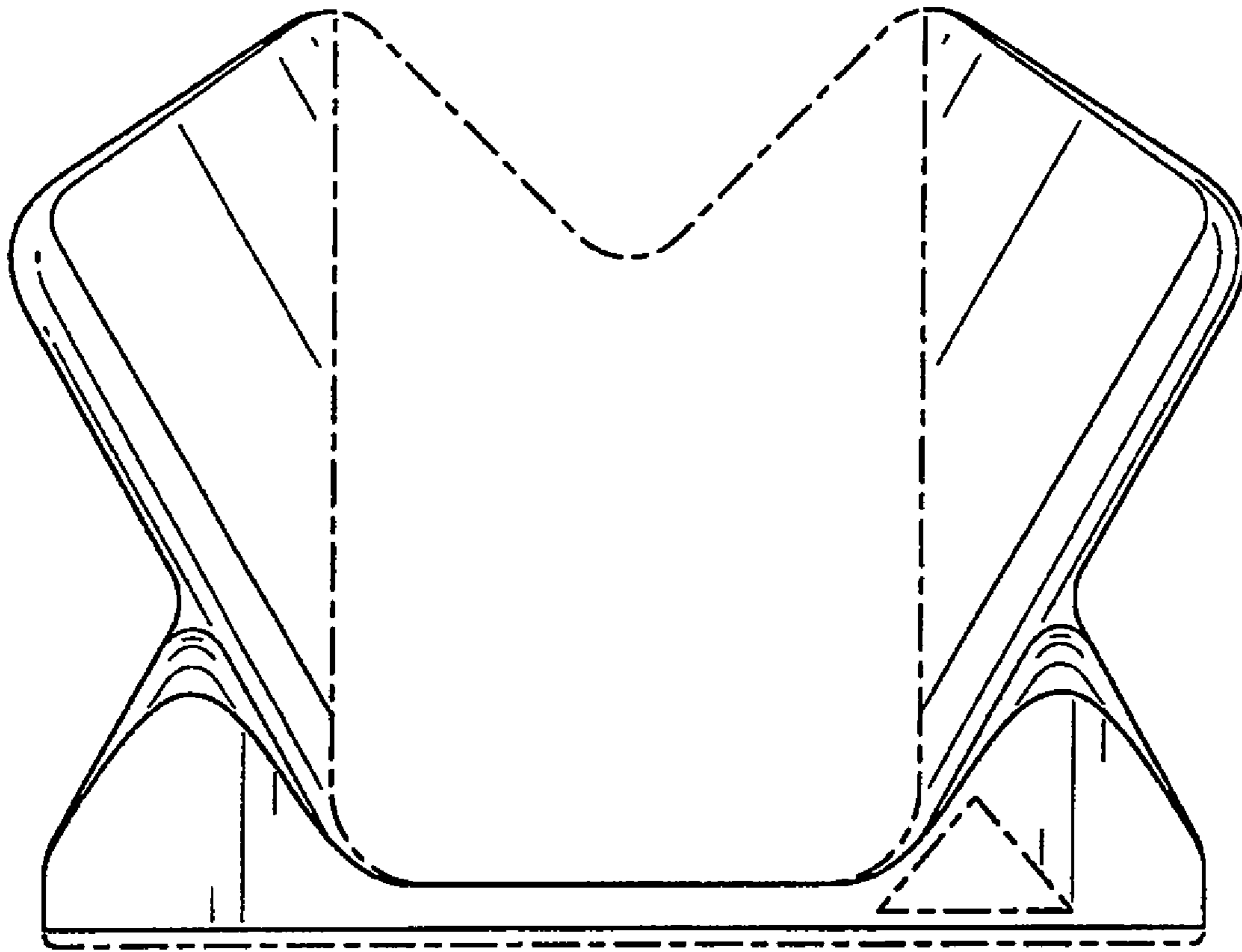


FIG. 6