



US00D565139S

(12) **United States Design Patent**
Wilson

(10) **Patent No.:** **US D565,139 S**
(45) **Date of Patent:** **** Mar. 25, 2008**

- (54) **GOLF CLUB PUTTER HEAD**
- (76) Inventor: **Stephen Wilson**, 266 Lakewood Cir.,
Burr Ridge, IL (US) 60527
- (**) Term: **14 Years**
- (21) Appl. No.: **29/271,434**
- (22) Filed: **Jan. 18, 2007**
- (51) **LOC (8) Cl.** **21-02**
- (52) **U.S. Cl.** **D21/743**
- (58) **Field of Classification Search** D21/736–746,
D21/759; 473/324–331, 340–341, 251–256
See application file for complete search history.

D499,782 S *	12/2004	Stites et al.	D21/759
D501,233 S	1/2005	Thomas	
6,929,564 B2	8/2005	Olsavsky et al.	
6,932,716 B2	8/2005	Ehlers et al.	
D512,116 S	11/2005	Miraflor et al.	
D516,656 S	3/2006	Hoffman et al.	
7,018,304 B2	3/2006	Bradford	
D520,584 S	5/2006	Karlsen	
D521,582 S	5/2006	Souza et al.	
D523,102 S *	6/2006	Stites et al.	D21/742
7,083,526 B2	8/2006	Durnin	
D529,108 S *	9/2006	Stites et al.	D21/736
7,134,971 B2	11/2006	Franklin et al.	
2003/0144077 A1	7/2003	Cullen	
2005/0227777 A1	10/2005	Cover et al.	
2006/0128499 A1	6/2006	Yamanaka et al.	
2006/0148585 A1	7/2006	Vinton	
2006/0240905 A1	10/2006	Haney et al.	

(56) **References Cited**
U.S. PATENT DOCUMENTS

D235,668 S	7/1975	Swash	
D257,869 S	1/1981	MacDougall	
4,828,266 A	5/1989	Tunstall	
5,060,950 A	10/1991	Finney	
D334,039 S	3/1993	Tanaka	
D349,319 S	8/1994	Bayer	
5,390,919 A	2/1995	Stubbs et al.	
5,439,222 A	8/1995	Kranenberg	
D366,081 S	1/1996	Patten	
5,489,097 A	2/1996	Simmons	
D368,501 S	4/1996	Woodruff	
D372,752 S *	8/1996	Raudman	D21/744
5,582,553 A	12/1996	Ashcraft et al.	
D389,539 S	1/1998	Moore	
6,039,656 A	3/2000	Fireman	
D432,192 S	10/2000	Hicks	
D437,017 S *	1/2001	Ford	D21/744
6,261,190 B1	7/2001	Ashcraft	
6,305,063 B1	10/2001	Ashcraft et al.	
6,350,208 B1	2/2002	Ford	
D456,054 S	4/2002	Hicks	
6,375,583 B1	4/2002	Solheim	
6,383,089 B1	5/2002	Bonneau	
6,527,649 B1	3/2003	Neher et al.	
6,579,193 B1	6/2003	McDowell	
D493,857 S	8/2004	Cameron	

* cited by examiner

Primary Examiner—Mitchell Siegel
(74) *Attorney, Agent, or Firm*—Richard J. Gurak; Welsh & Katz Ltd.

(57) **CLAIM**

The ornamental design for a golf club putter head, as shown and described.

DESCRIPTION

FIG. 1 is a front perspective view of the golf club putter head;
FIG. 2 is a top view thereof;
FIG. 3 is a front view thereof;
FIG. 4 is a right side view thereof;
FIG. 5 is a left side view thereof;
FIG. 6 is a rear view thereof; and,
FIG. 7 is a bottom view thereof.

The broken line showing is included for the purpose of illustrating and forms no part of the claimed design.

1 Claim, 4 Drawing Sheets

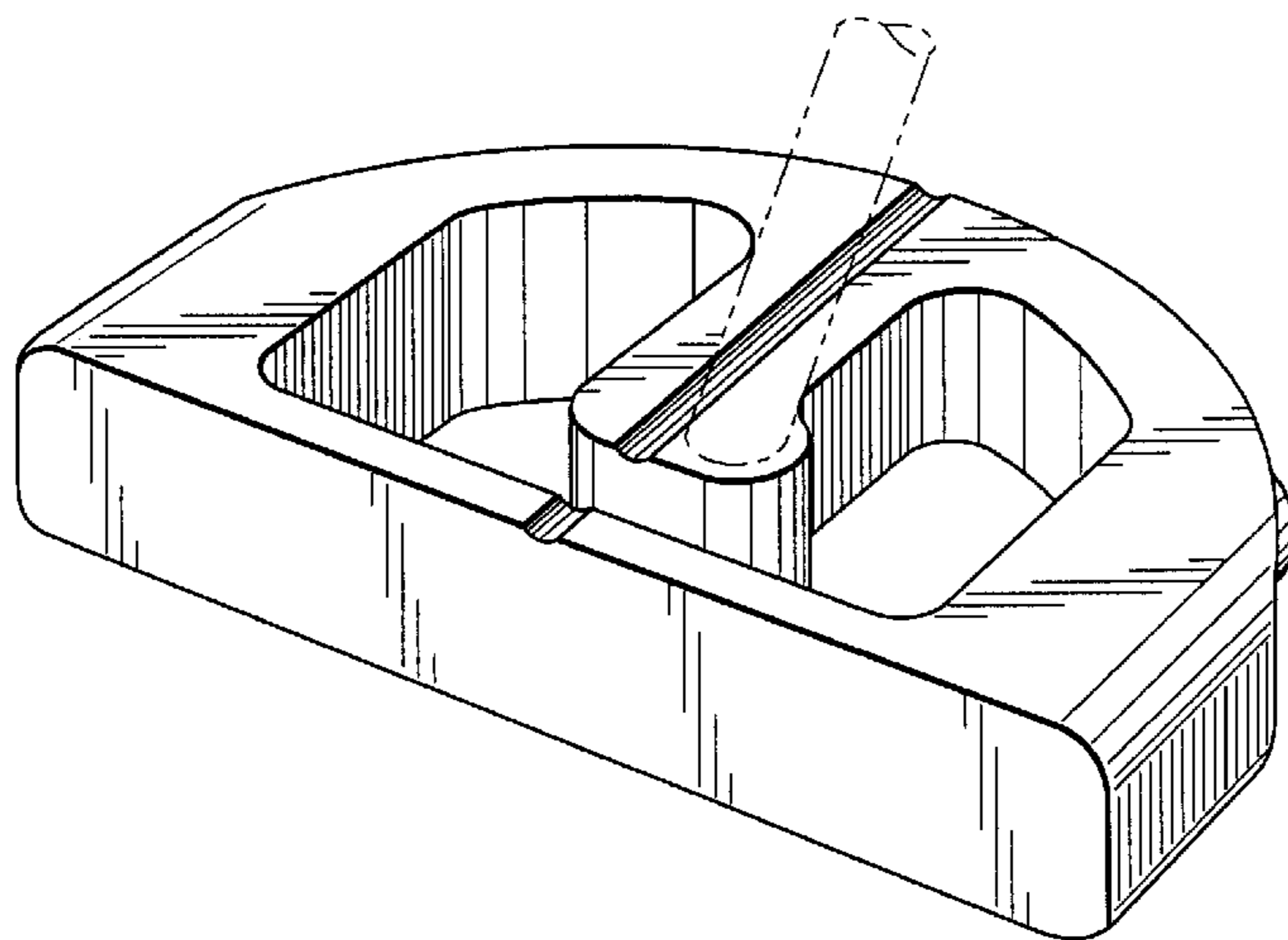


Fig. 1

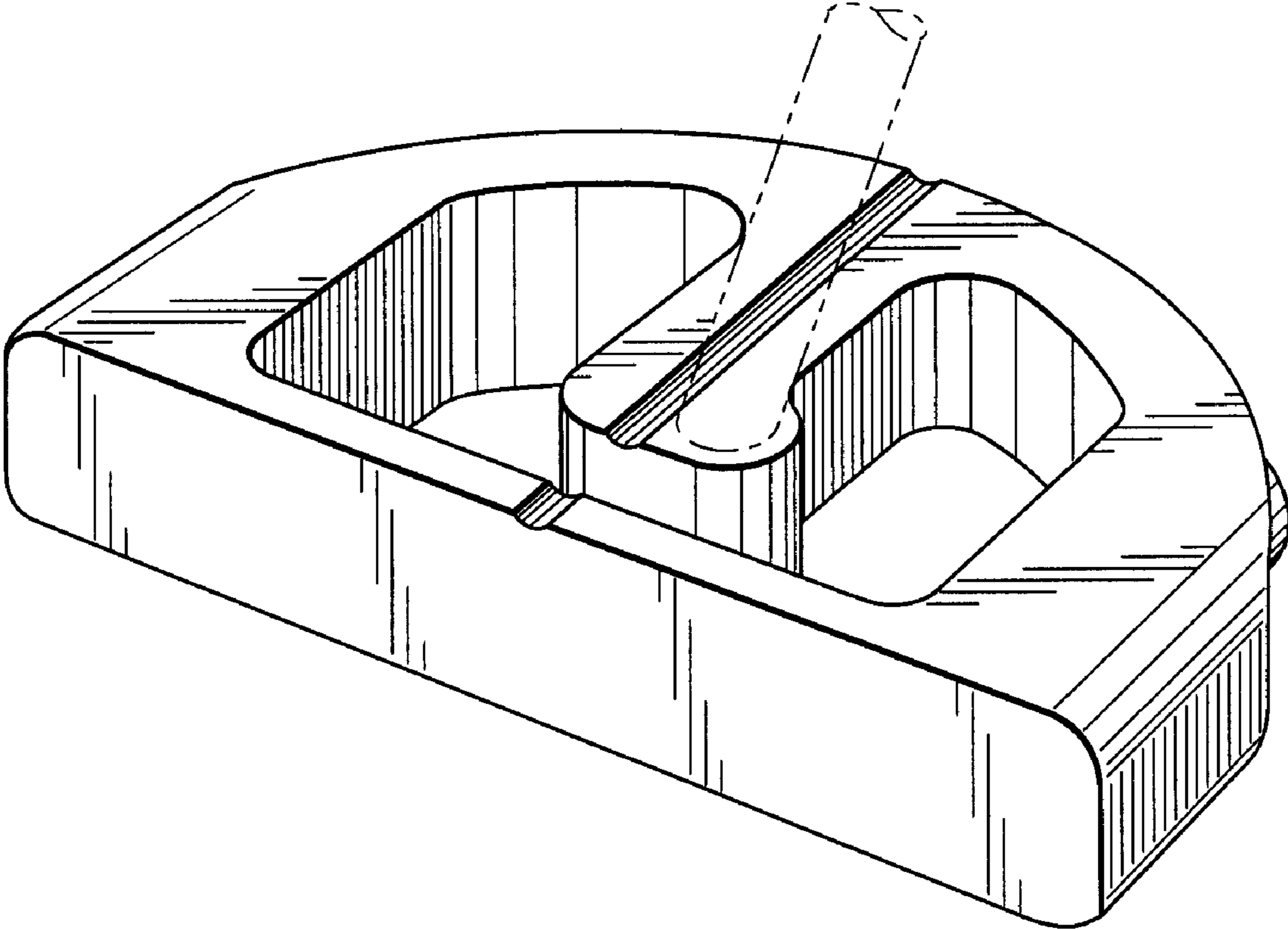


Fig. 2

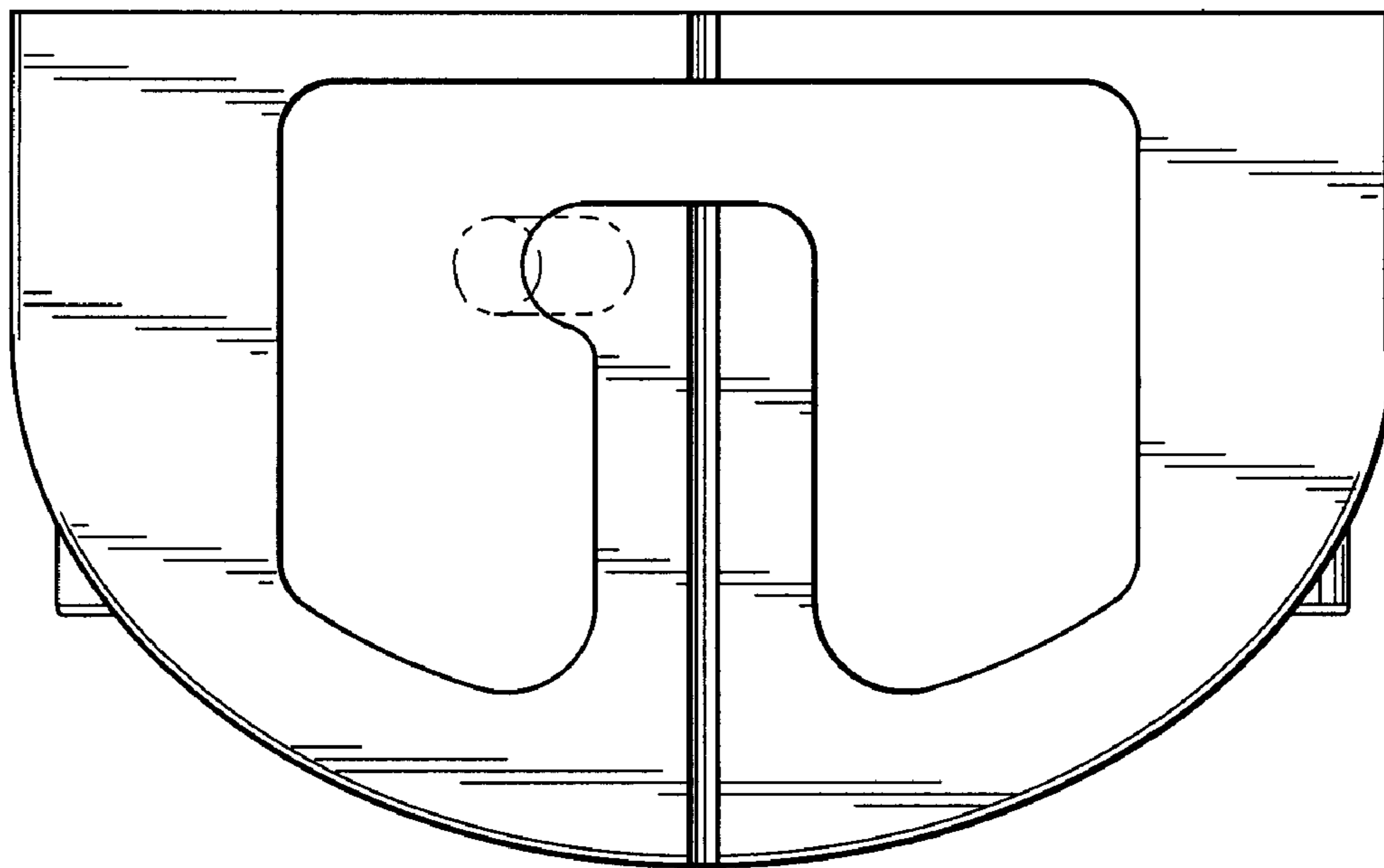


Fig. 3

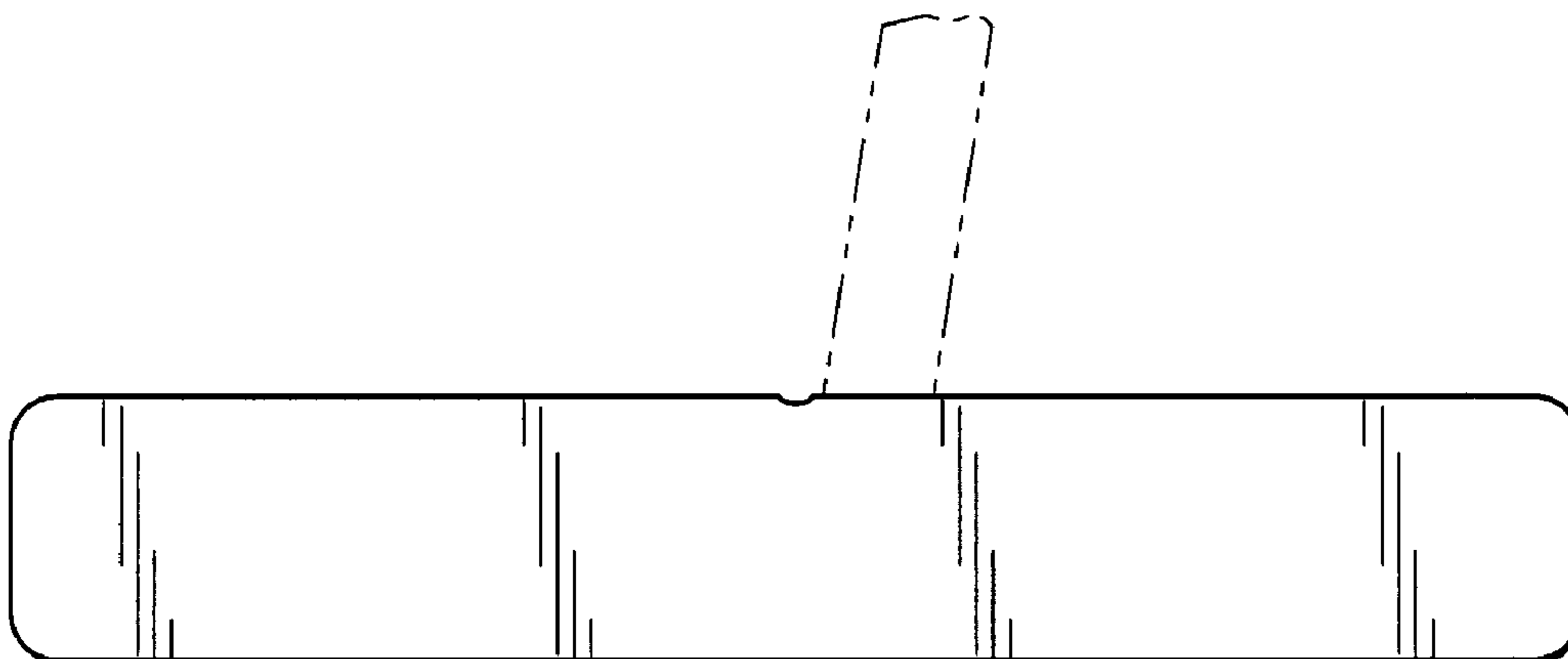


Fig. 4

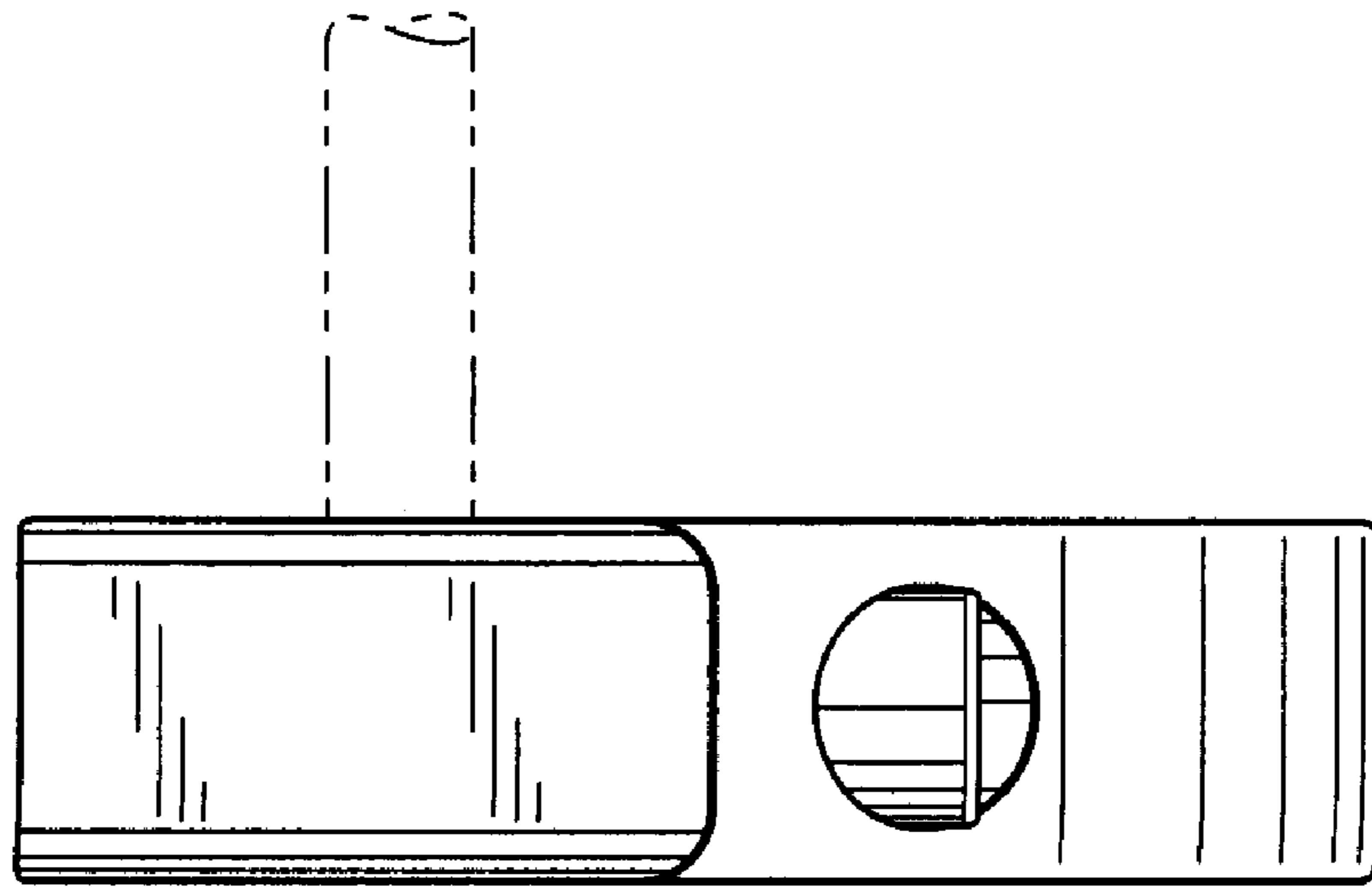


Fig. 5

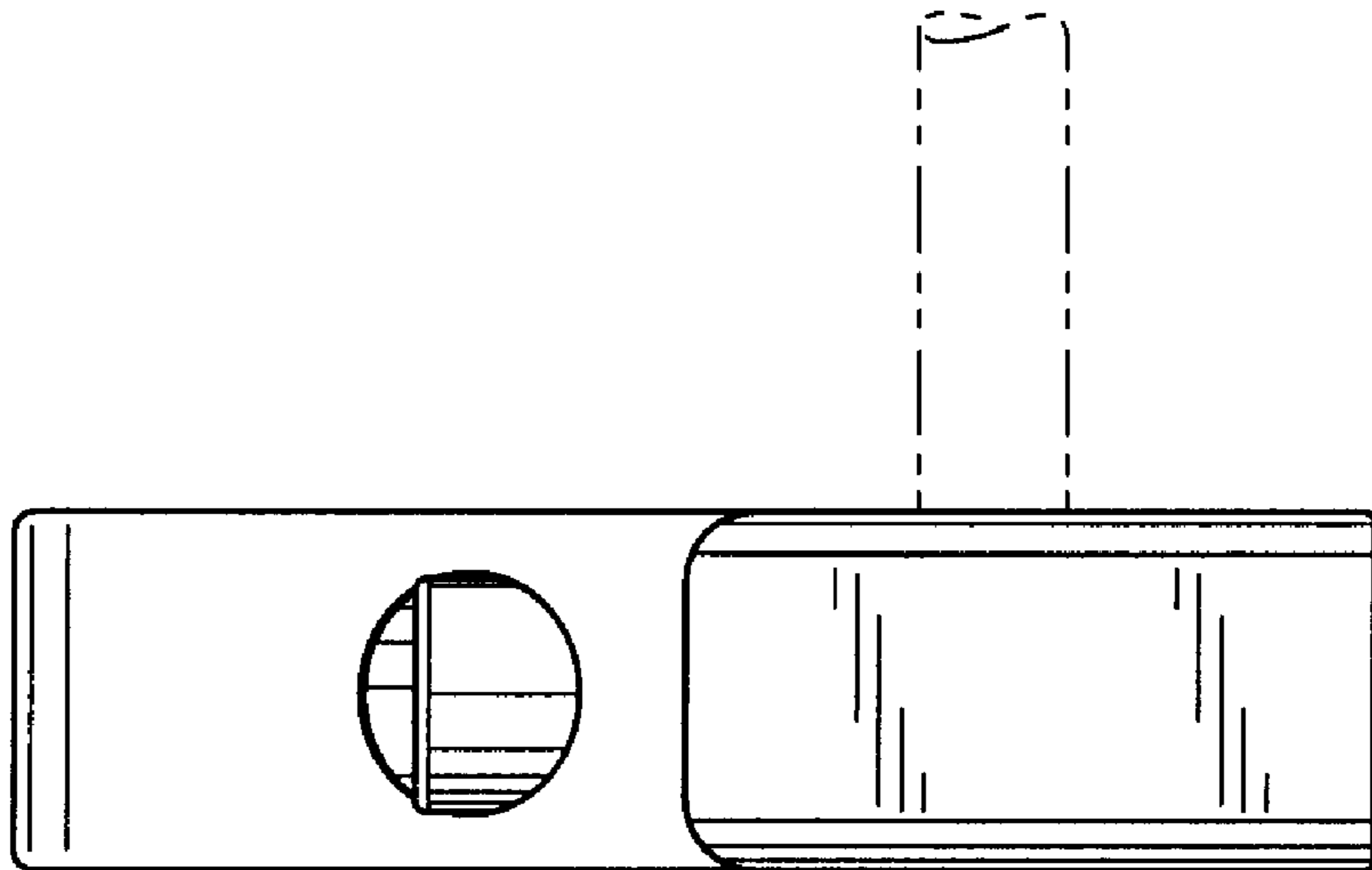


Fig. 6

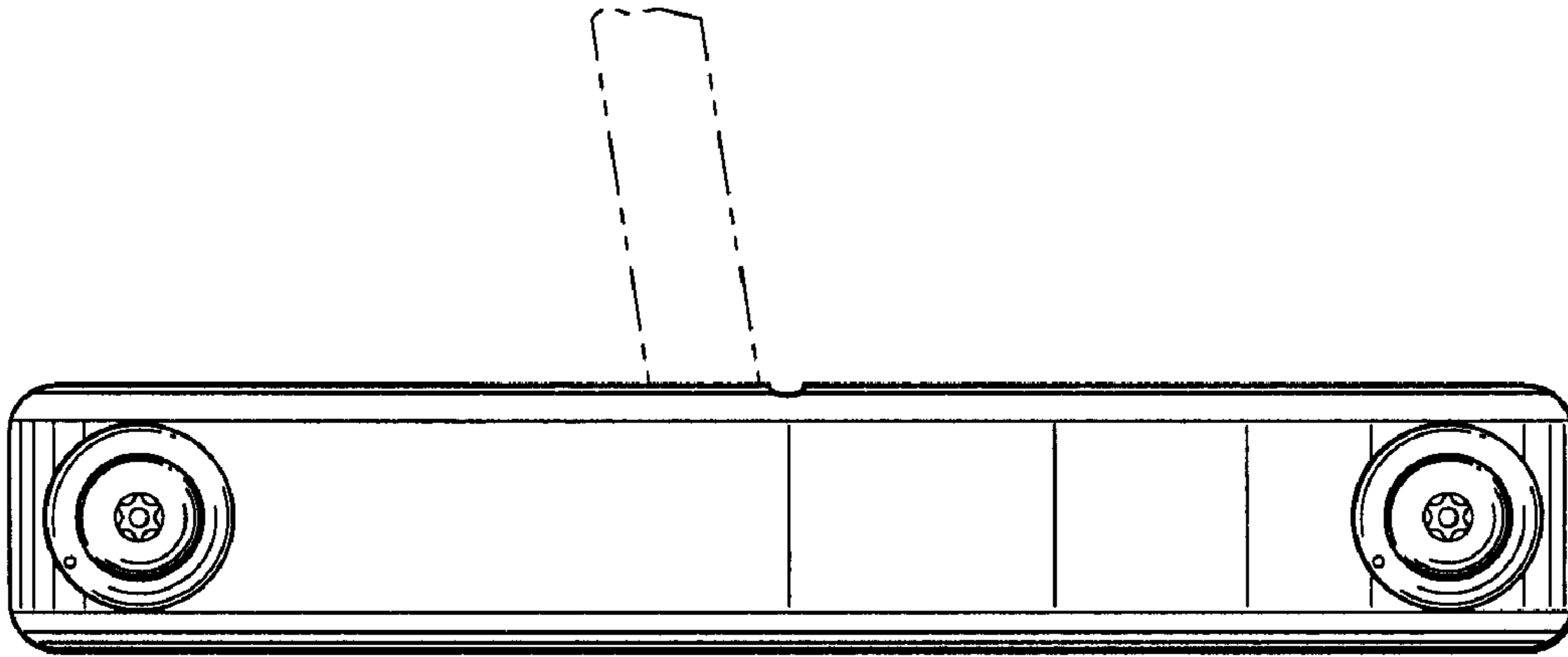


Fig. 7

