



US00D565138S

(12) **United States Design Patent** (10) **Patent No.:** **US D565,138 S**
Wilson (45) **Date of Patent:** **** Mar. 25, 2008**

(54) **GOLF CLUB PUTTER HEAD**
(76) Inventor: **Stephen Wilson**, 266 Lakewood Cir.,
Burr Ridge, IL (US) 60527
(**) Term: **14 Years**
(21) Appl. No.: **29/271,397**
(22) Filed: **Jan. 18, 2007**
(51) **LOC (8) Cl.** **21-02**
(52) **U.S. Cl.** **D21/743**
(58) **Field of Classification Search** D21/736-746,
D21/759; 473/324-331, 340-341, 251-256,
473/305, 307
See application file for complete search history.

6,527,649 B1 3/2003 Neher et al.
6,579,193 B1 6/2003 McDowell
D493,857 S 8/2004 Cameron
D501,233 S 1/2005 Thomas
D507,028 S * 7/2005 Kriser, II D21/736
6,929,564 B2 8/2005 Olsavsky et al.
6,932,716 B2 8/2005 Ehlers et al.
D512,116 S 11/2005 Mirafior et al.
D516,656 S 3/2006 Hoffman et al.
7,018,304 B2 3/2006 Bradford
D520,584 S 5/2006 Karlsen
D521,582 S 5/2006 Souza et al.
D523,102 S 6/2006 Stites et al.
7,083,526 B2 8/2006 Durnin
D529,108 S 9/2006 Stites et al.
7,134,971 B2 11/2006 Franklin et al.
2003/0144077 A1 7/2003 Cullen
2005/0227777 A1 10/2005 Cover et al.
2006/0128499 A1 6/2006 Yamanaka et al.
2006/0148585 A1 7/2006 Vinton
2006/0240905 A1 10/2006 Haney et al.

(56) **References Cited**

U.S. PATENT DOCUMENTS

D235,668 S 7/1975 Swash
D248,783 S * 8/1978 Long D21/741
D257,869 S 1/1981 MacDougall
4,828,266 A 5/1989 Tunstall
4,871,174 A * 10/1989 Kobayashi 473/252
D306,630 S * 3/1990 Dinte et al. D21/743
5,060,950 A 10/1991 Finney
D323,867 S * 2/1992 Rizzotto D21/740
D334,039 S 3/1993 Tanaka
D349,319 S 8/1994 Bayer
D355,462 S * 2/1995 Wyatt D21/741
5,390,919 A 2/1995 Stubbs et al.
5,409,219 A * 4/1995 Saksun, Sr. 473/305
5,439,222 A 8/1995 Kranenberg
D363,331 S * 10/1995 Williams D21/739
D366,081 S 1/1996 Patten
5,489,097 A 2/1996 Simmons
D368,504 S 4/1996 Sommerhauser
5,582,553 A 12/1996 Ashcraft et al.
D389,539 S 1/1998 Moore
6,039,656 A 3/2000 Fireman
D432,192 S 10/2000 Hicks
D437,017 S 1/2001 Ford
6,261,190 B1 7/2001 Ashcraft
6,305,063 B1 10/2001 Ashcraft et al.
6,350,208 B1 2/2002 Ford
D456,054 S 4/2002 Hicks
6,375,583 B1 4/2002 Solheim
6,383,089 B1 5/2002 Bonneau
6,428,423 B1 * 8/2002 Merko 473/307

* cited by examiner

Primary Examiner—Mitchell I Siegel
(74) *Attorney, Agent, or Firm*—Richard J. Gurak; Welsh &
Katz Ltd.

(57) **CLAIM**

The ornamental design for a golf club putter head, as shown and described.

DESCRIPTION

FIG. 1 is a rear perspective view of the golf club putter head;
FIG. 2 is a top view thereof;
FIG. 3 is a front elevational view thereof;
FIG. 4 is a right side view thereof;
FIG. 5 is a left side view thereof;
FIG. 6 is a rear elevational view thereof; and,
FIG. 7 is a bottom view thereof.

The broken line showing is included for the purpose of illustrating and forms no part of the claimed design.

1 Claim, 6 Drawing Sheets

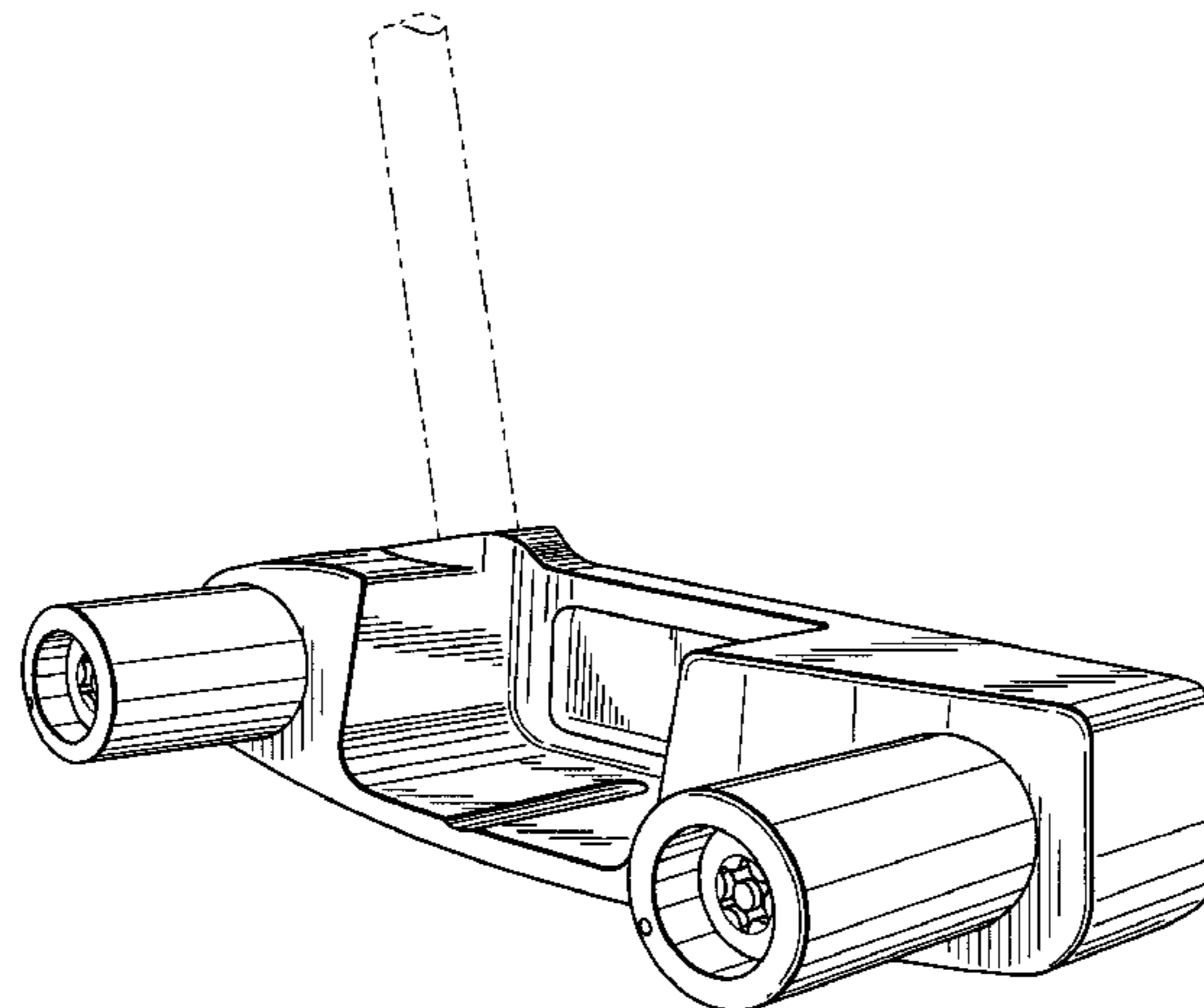


Fig. 1

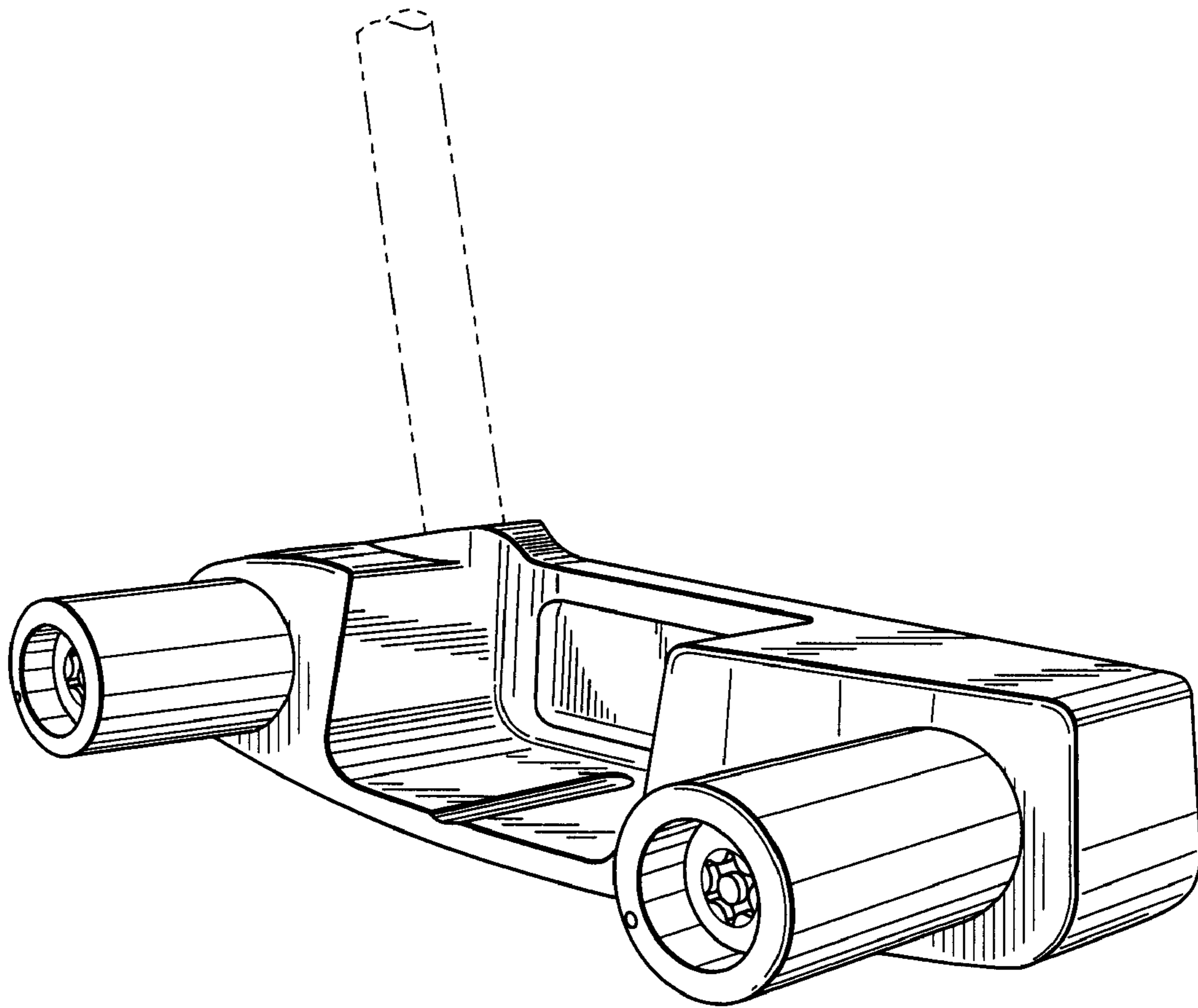


Fig. 2

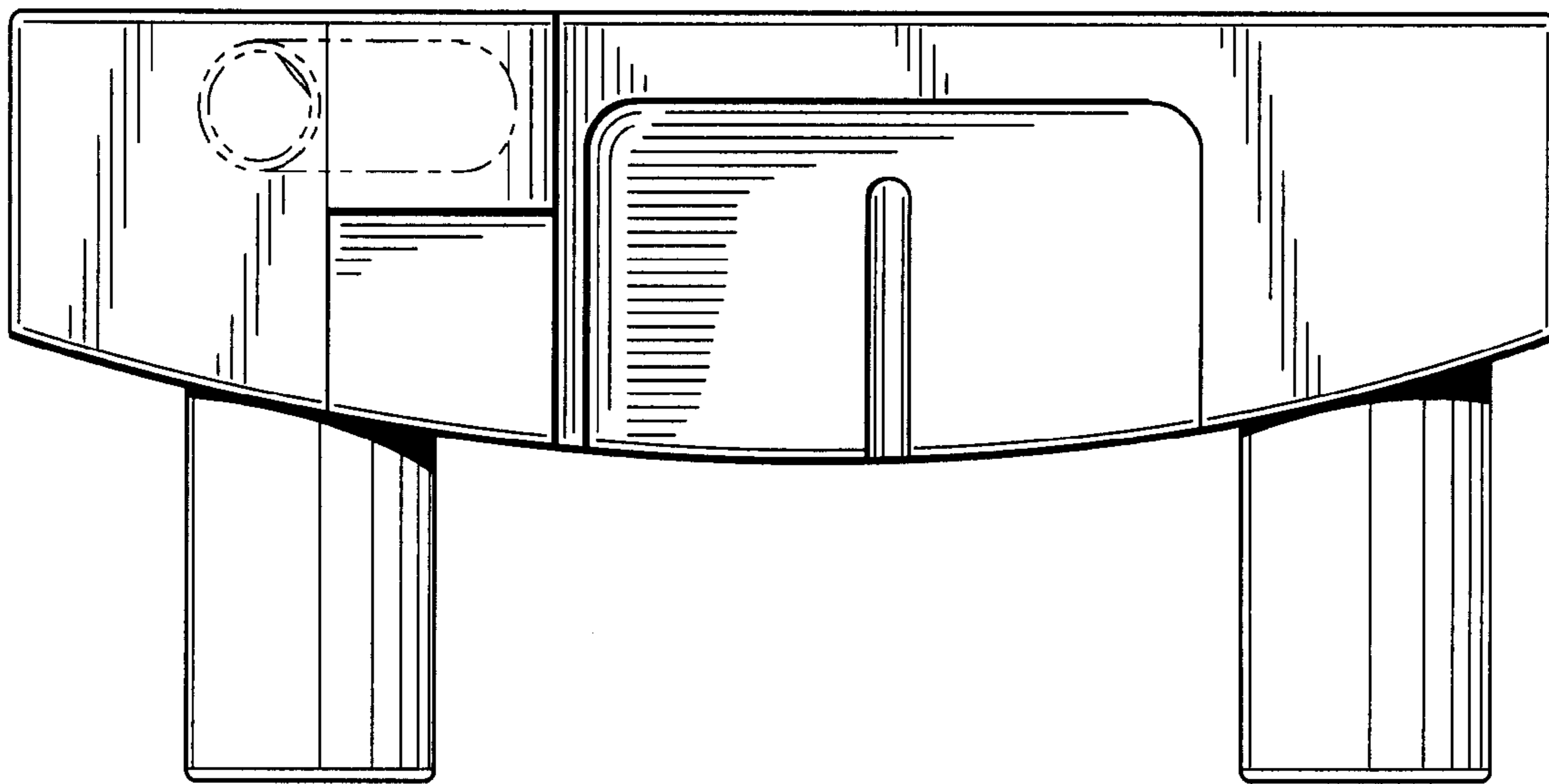


Fig. 3

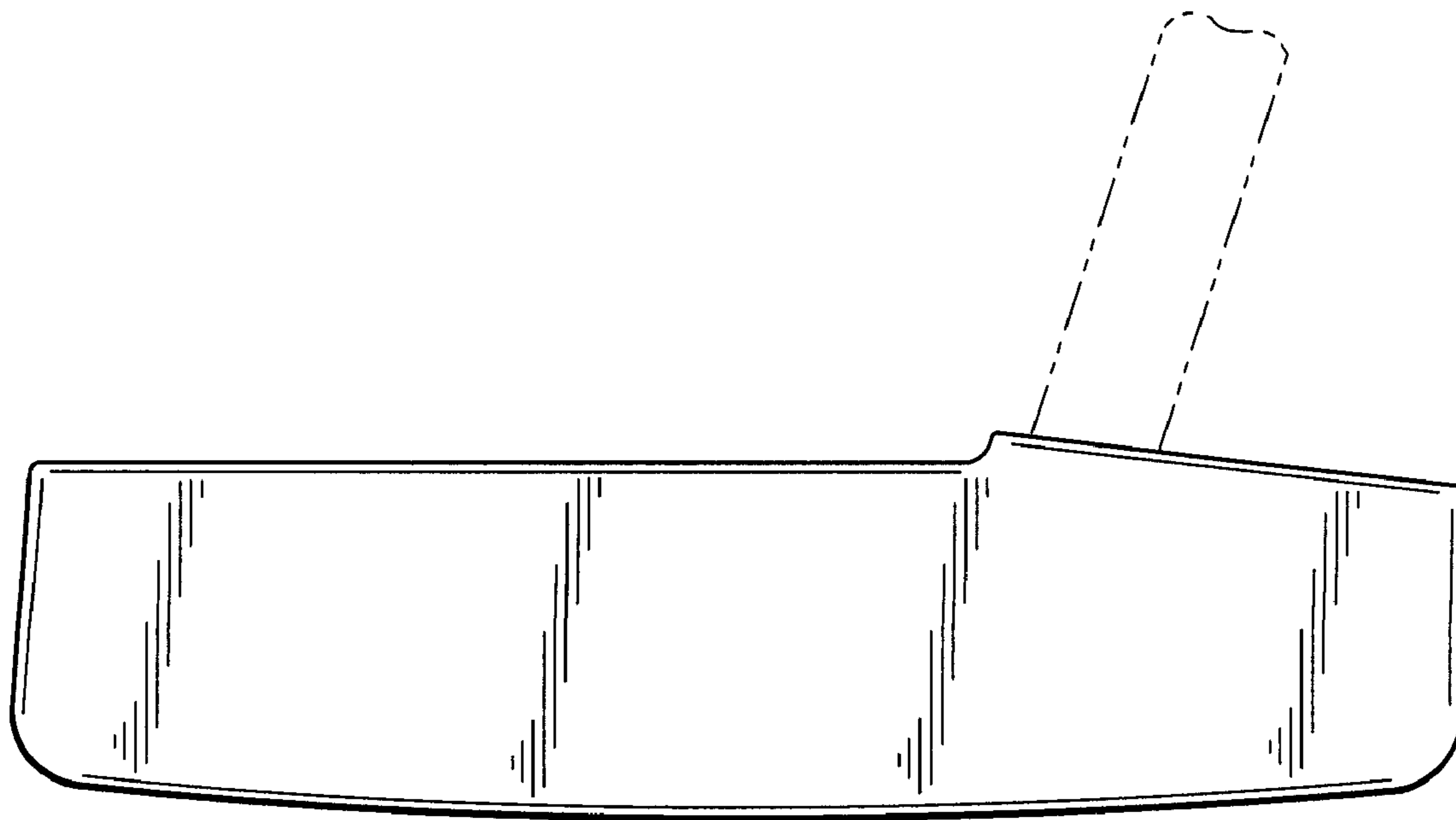


Fig. 4

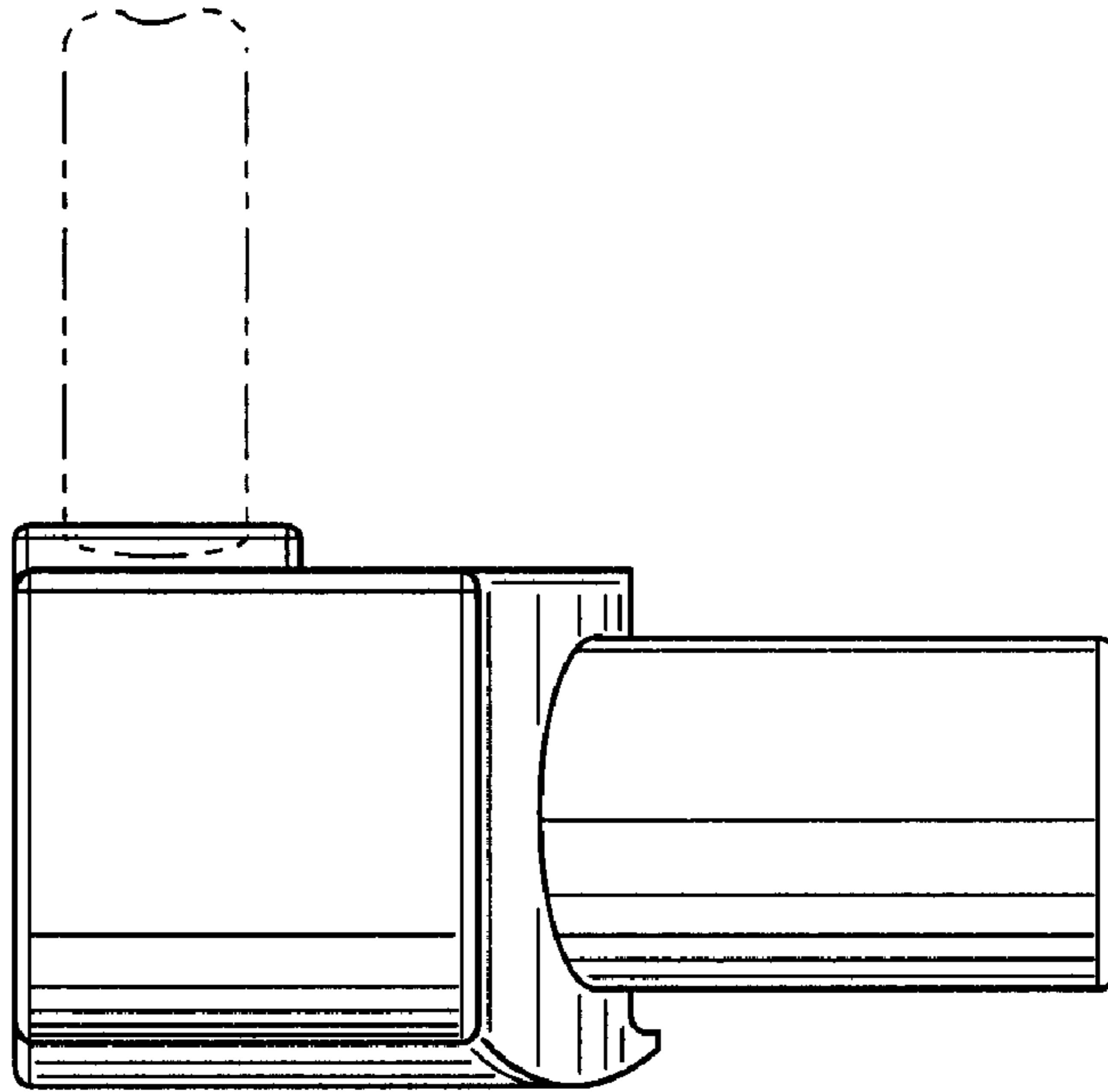


Fig. 5

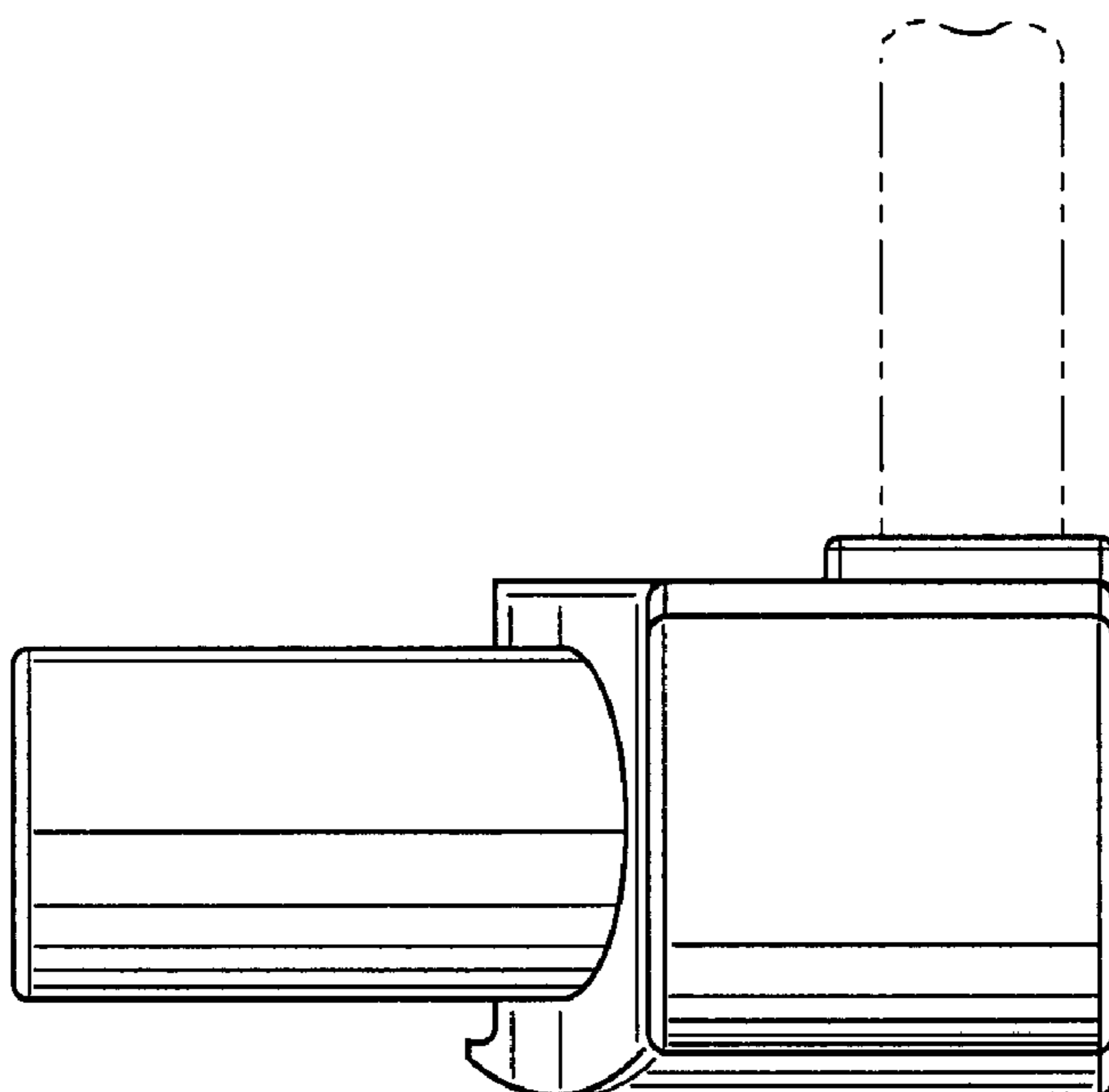


Fig. 6

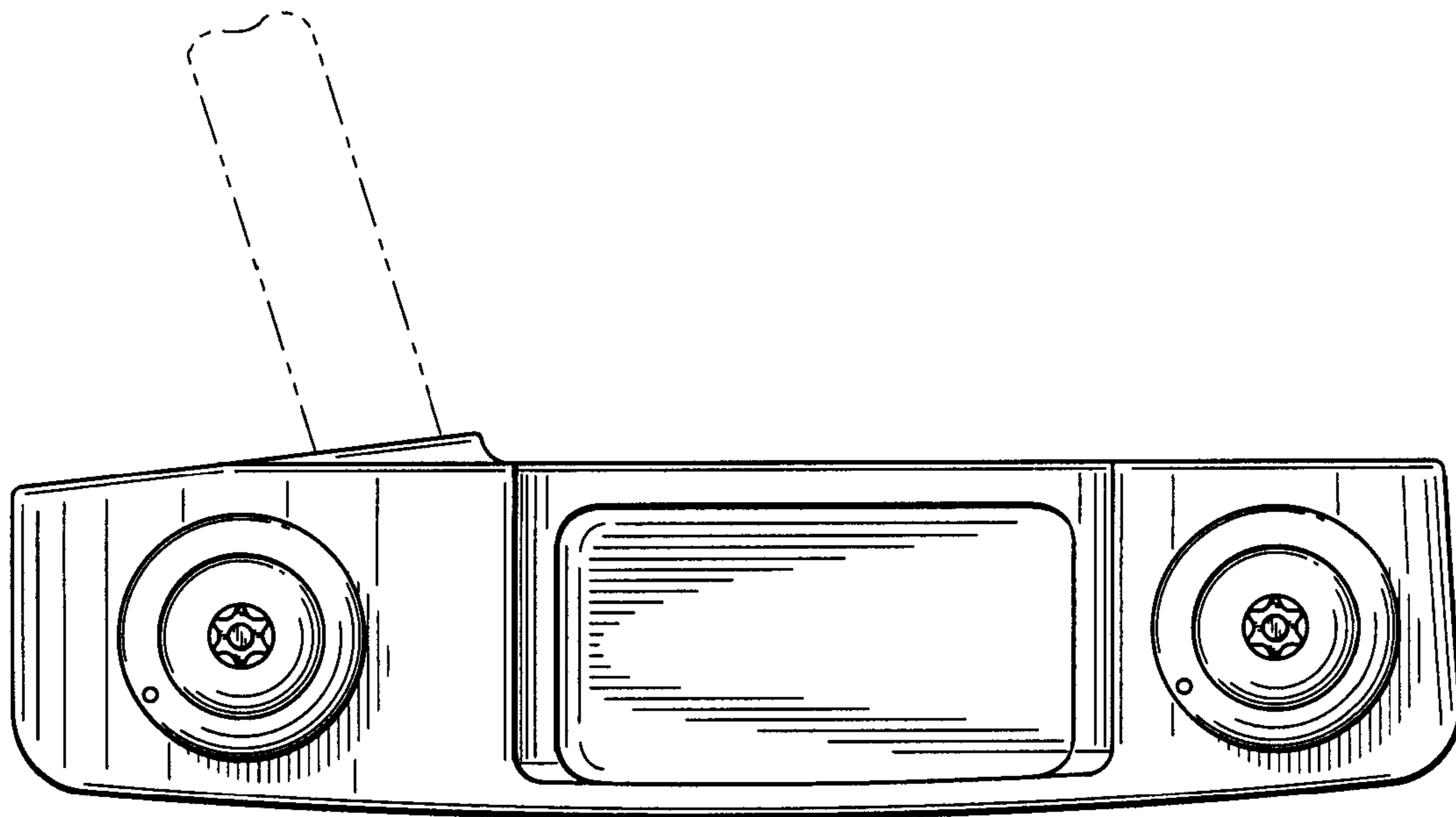


Fig. 7

