

US00D565137S

(12) **United States Design Patent**
Oldknow et al.

(10) **Patent No.:** **US D565,137 S**
(45) **Date of Patent:** **** Mar. 25, 2008**

(54) **GOLF CLUB HEAD FOR A PUTTER**

2007/0213141 A1 9/2007 Jones

(75) Inventors: **Andrew G. V. Oldknow**, Beaverton, OR (US); **David N. Franklin**, Granbury, TX (US); **John T. Stites**, Weatherford, TX (US)

OTHER PUBLICATIONS

Golfsmith catalog, 1998, p. 76.

* cited by examiner

Primary Examiner—Mitchell Siegel

(74) *Attorney, Agent, or Firm*—Banner & Witcoff, Ltd.

(73) Assignee: **Nike, Inc.**, Beaverton, OR (US)

(**) Term: **14 Years**

(57) **CLAIM**

(21) Appl. No.: **29/297,319**

The ornamental design for a golf club head for a putter, as shown and described.

(22) Filed: **Nov. 8, 2007**

DESCRIPTION

(51) **LOC (8) Cl.** **21-02**

FIG. 1 is a top perspective view of a golf club head for a putter showing our new design;

(52) **U.S. Cl.** **D21/736**

FIG. 2 is a front view thereof;

(58) **Field of Classification Search** D21/736–746, D21/759; 473/324–331, 340–341, 251–256
See application file for complete search history.

FIG. 3 is a rear view thereof;

(56) **References Cited**

U.S. PATENT DOCUMENTS

D399,274 S	10/1998	Bradford	
D400,629 S	11/1998	Markwardt	
D456,055 S *	4/2002	Yerelian D21/736
D456,472 S	4/2002	Yerelian	
D501,233 S	1/2005	Thomas	
D513,050 S	12/2005	Grimaldo	
D515,646 S *	2/2006	Perry D21/742
D520,584 S	5/2006	Karlsen	
D529,109 S	9/2006	Jones	
D542,869 S	5/2007	Adams	
2005/0137027 A1	6/2005	Thomas	
2007/0191135 A1	8/2007	Nilsson et al.	

FIG. 4 is a toe end view thereof;

FIG. 5 is a heel end view thereof;

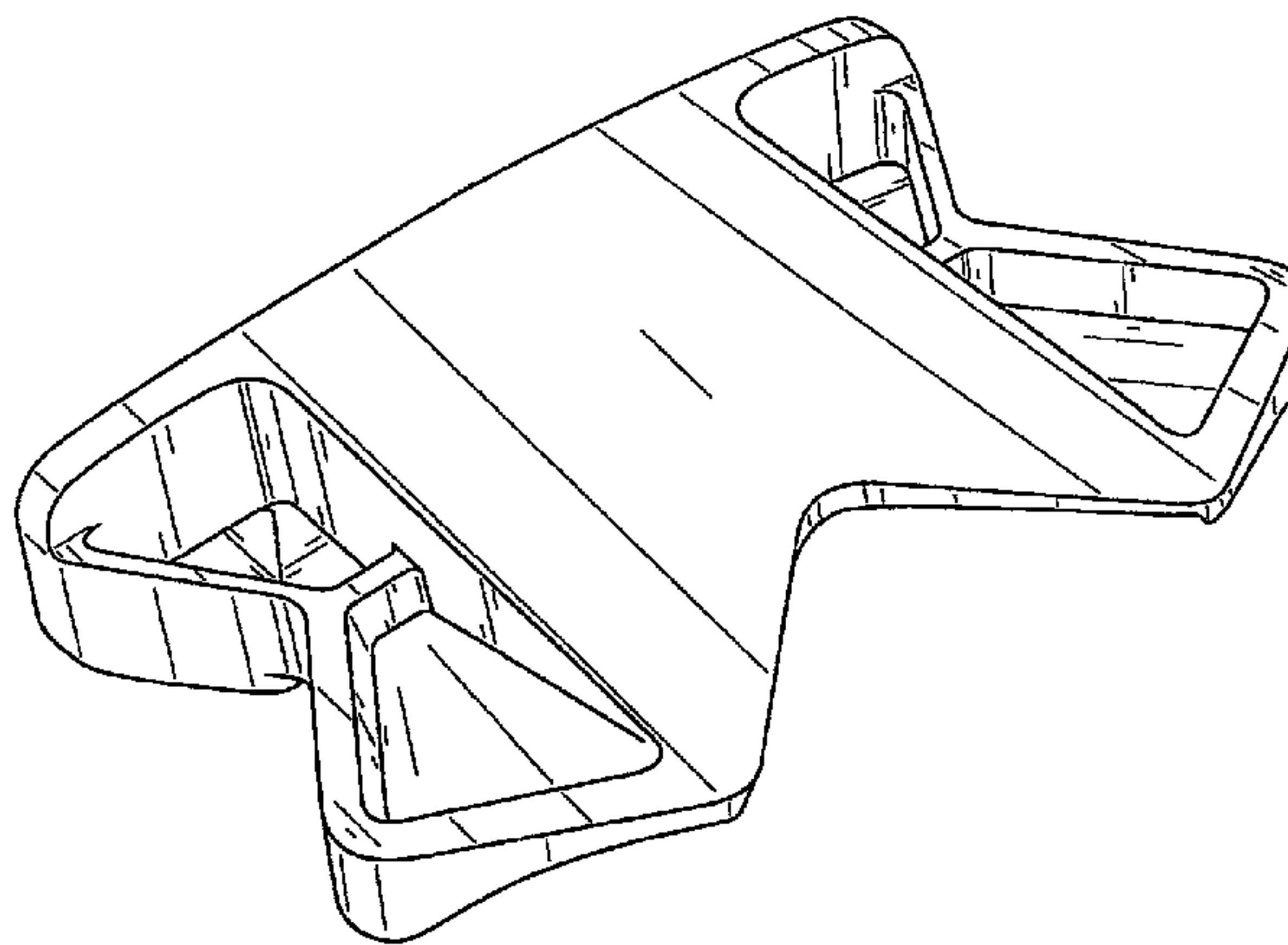
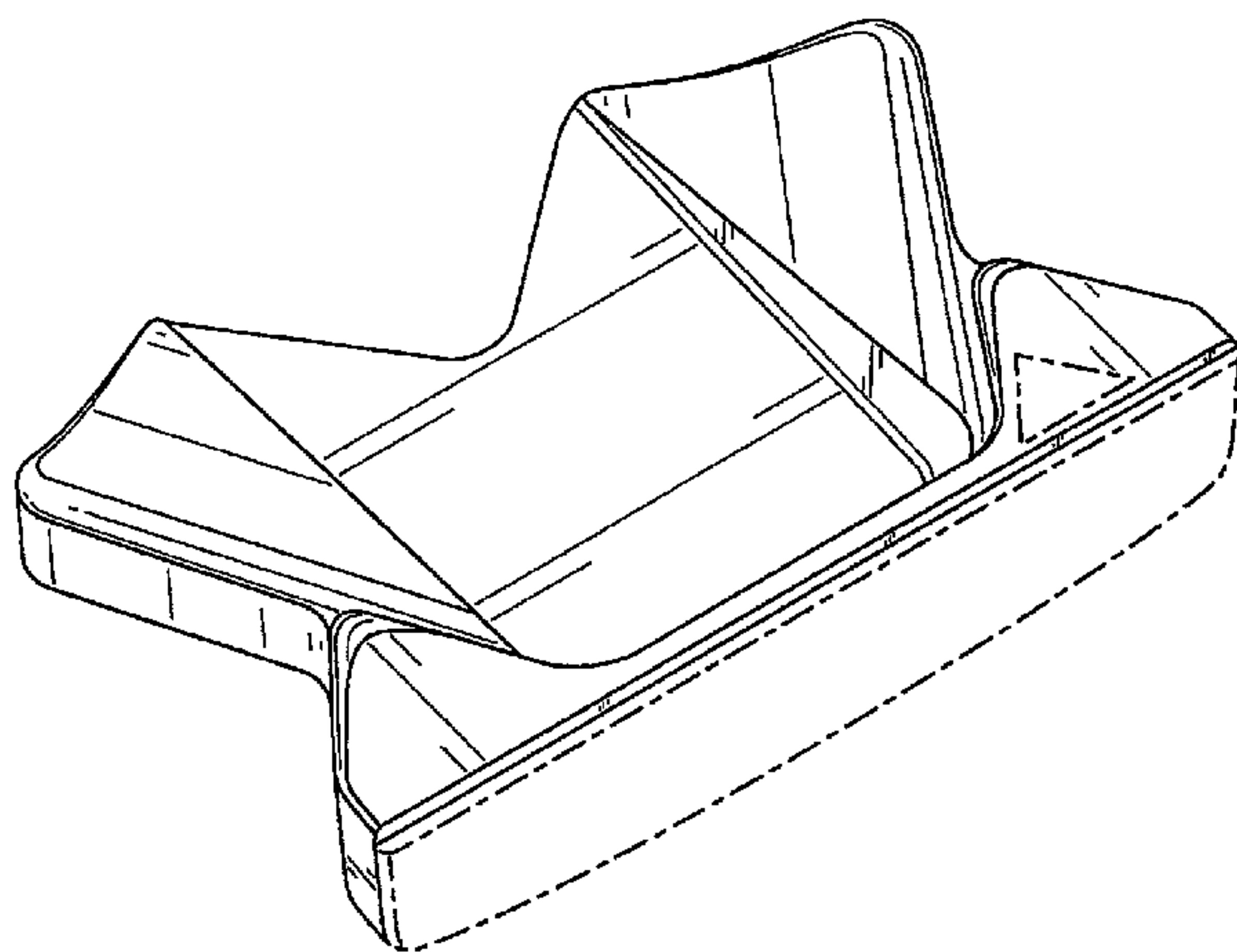
FIG. 6 is a top view thereof;

FIG. 7 is a bottom view thereof; and,

FIG. 8 is a bottom perspective view thereof.

The uneven broken line immediately adjacent to the shaded area represents an unclaimed boundary of the design. The unshaded triangular region and the uneven broken line showing of the remainder of the golf club head for a putter are for illustrative purposes only and form no part of the claimed design.

1 Claim, 5 Drawing Sheets



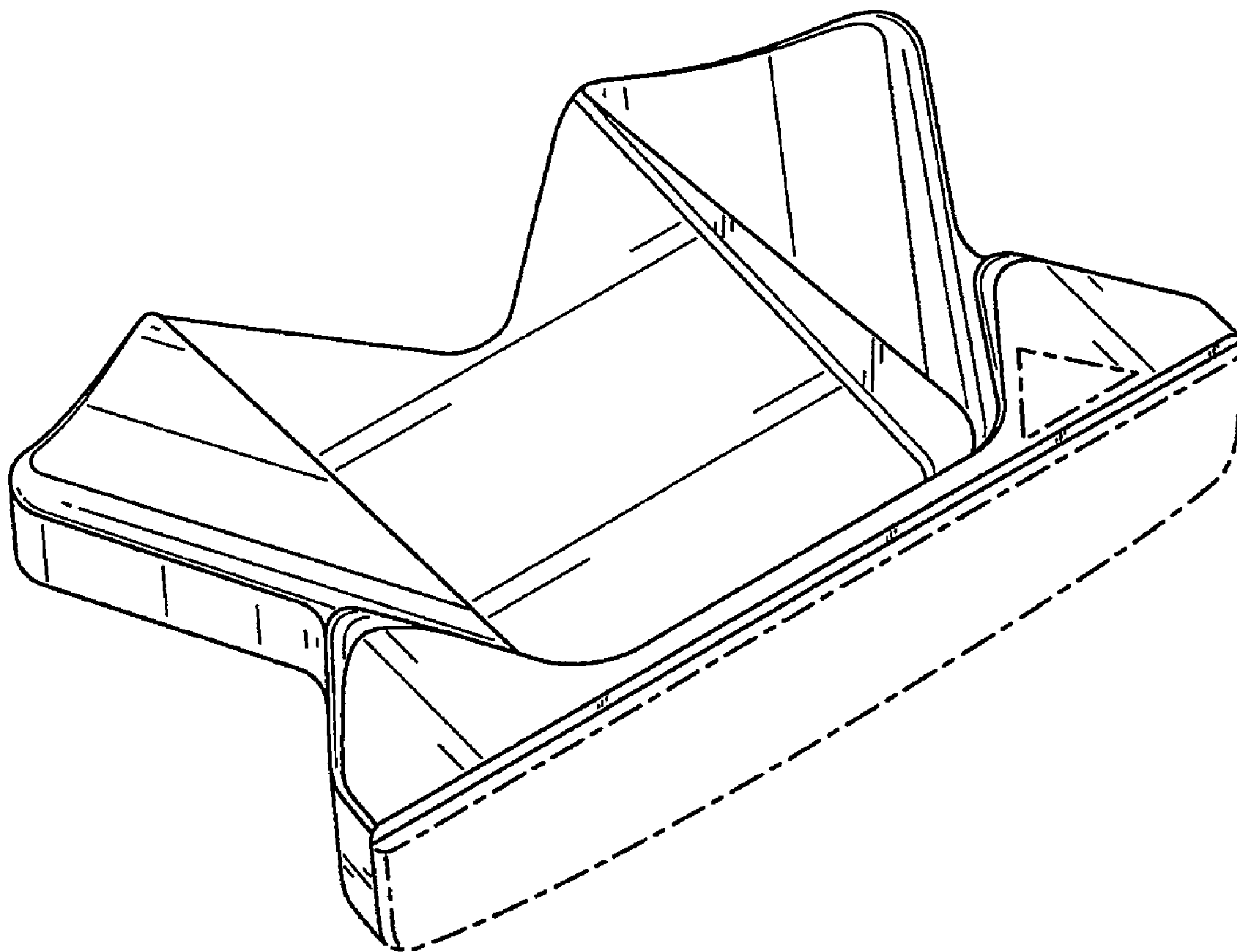


FIG. 1

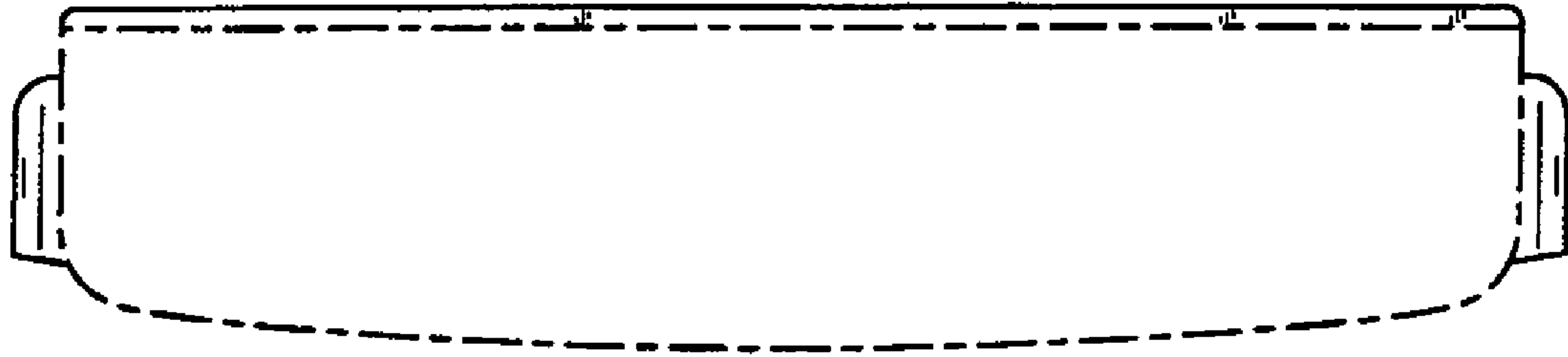


FIG. 2

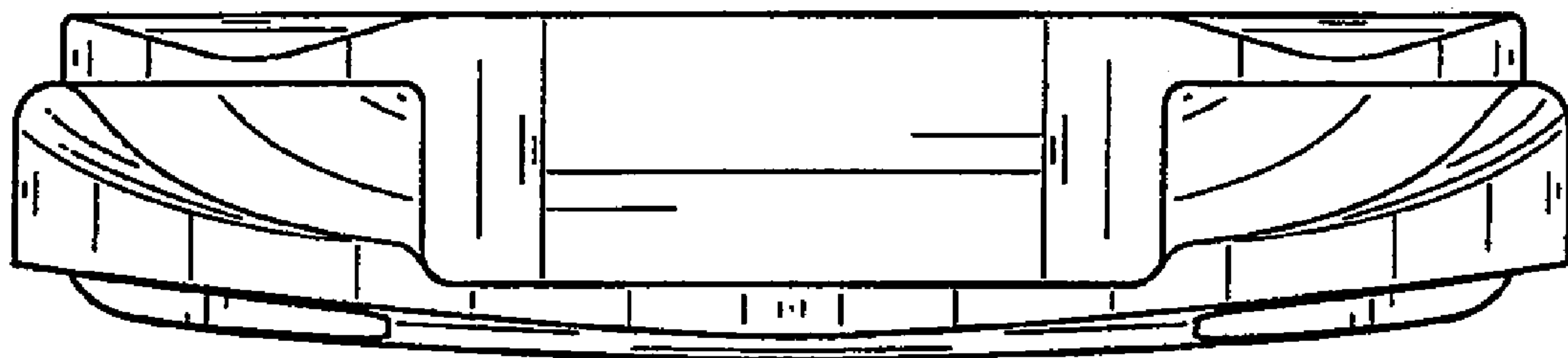


FIG. 3

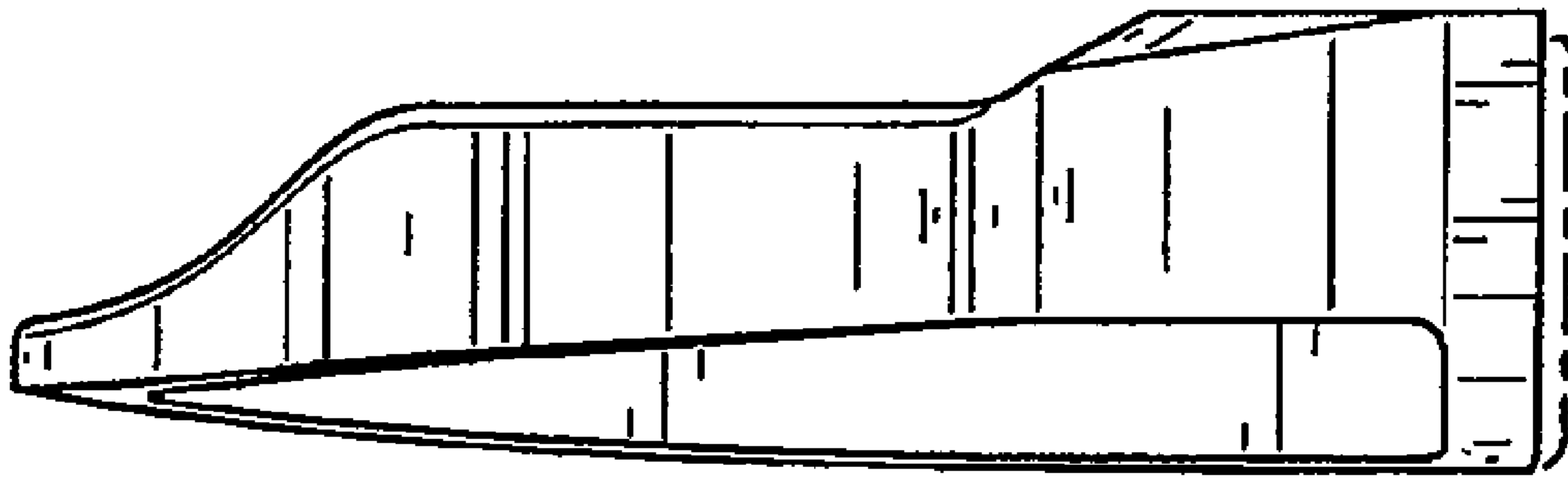


FIG. 4

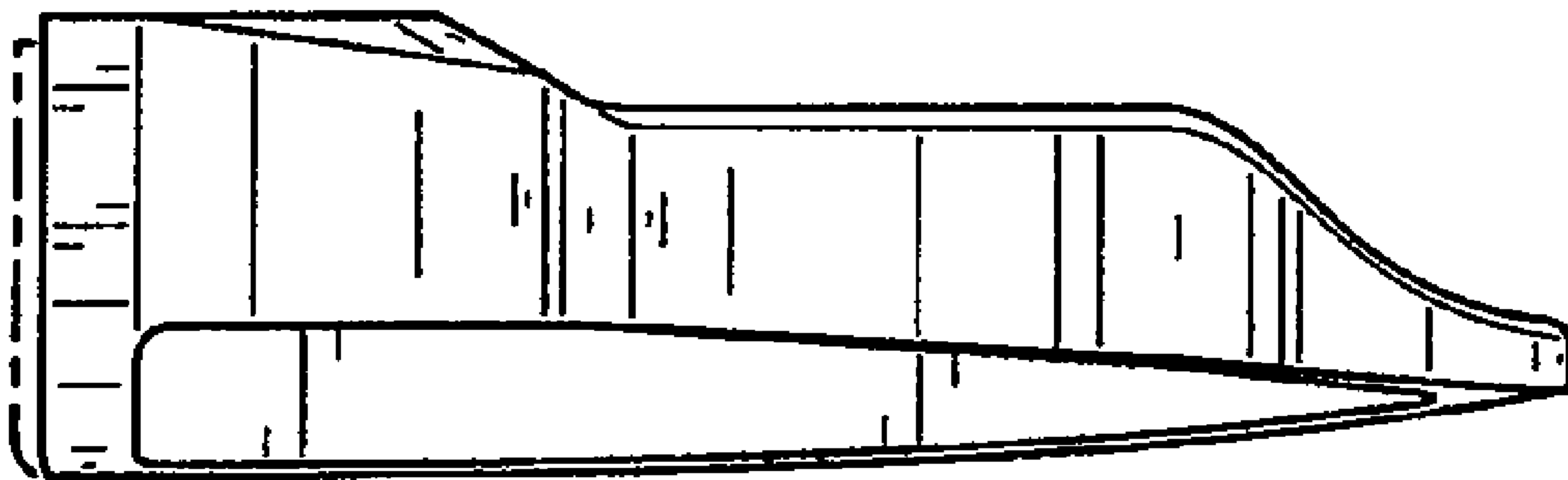


FIG. 5

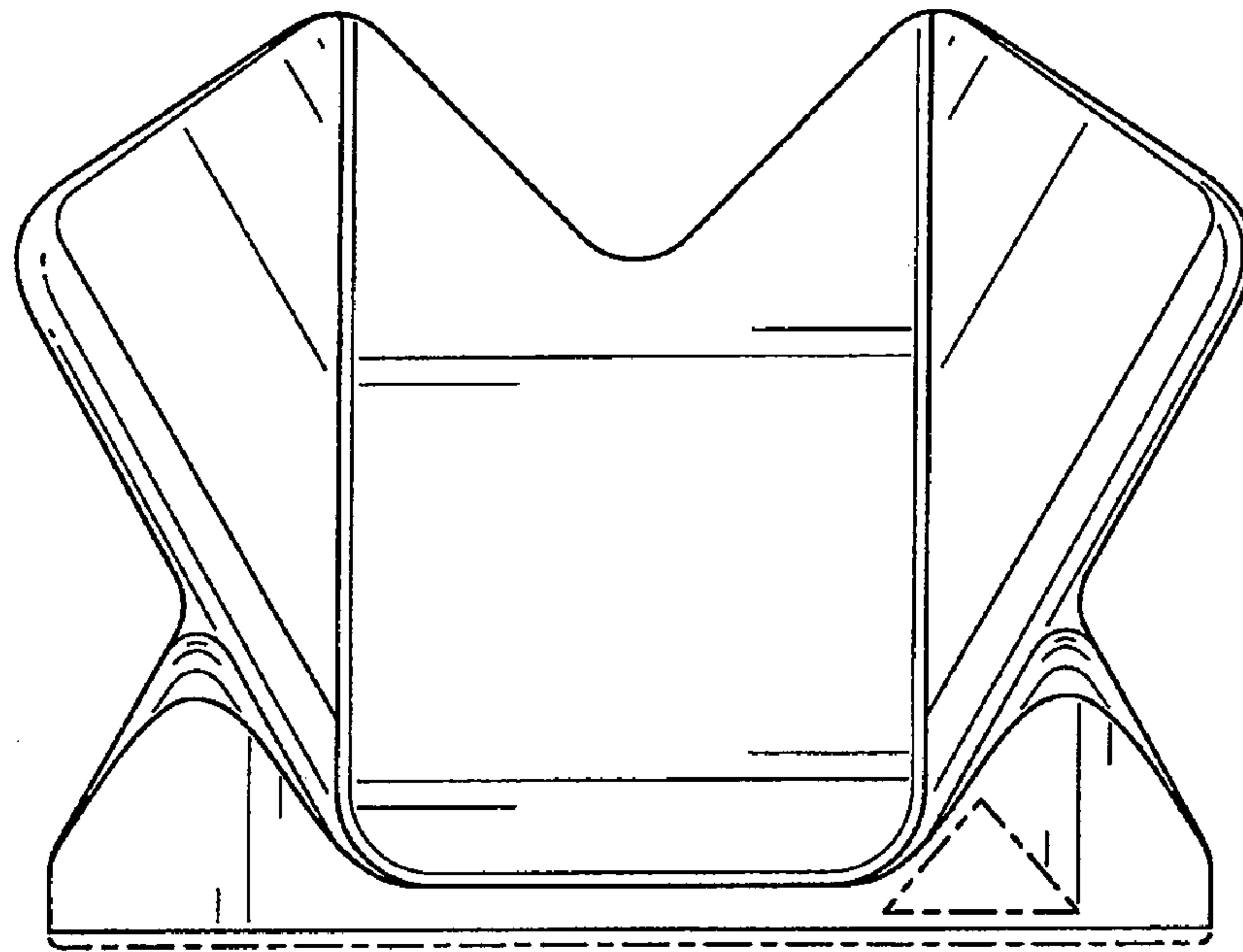


FIG. 6

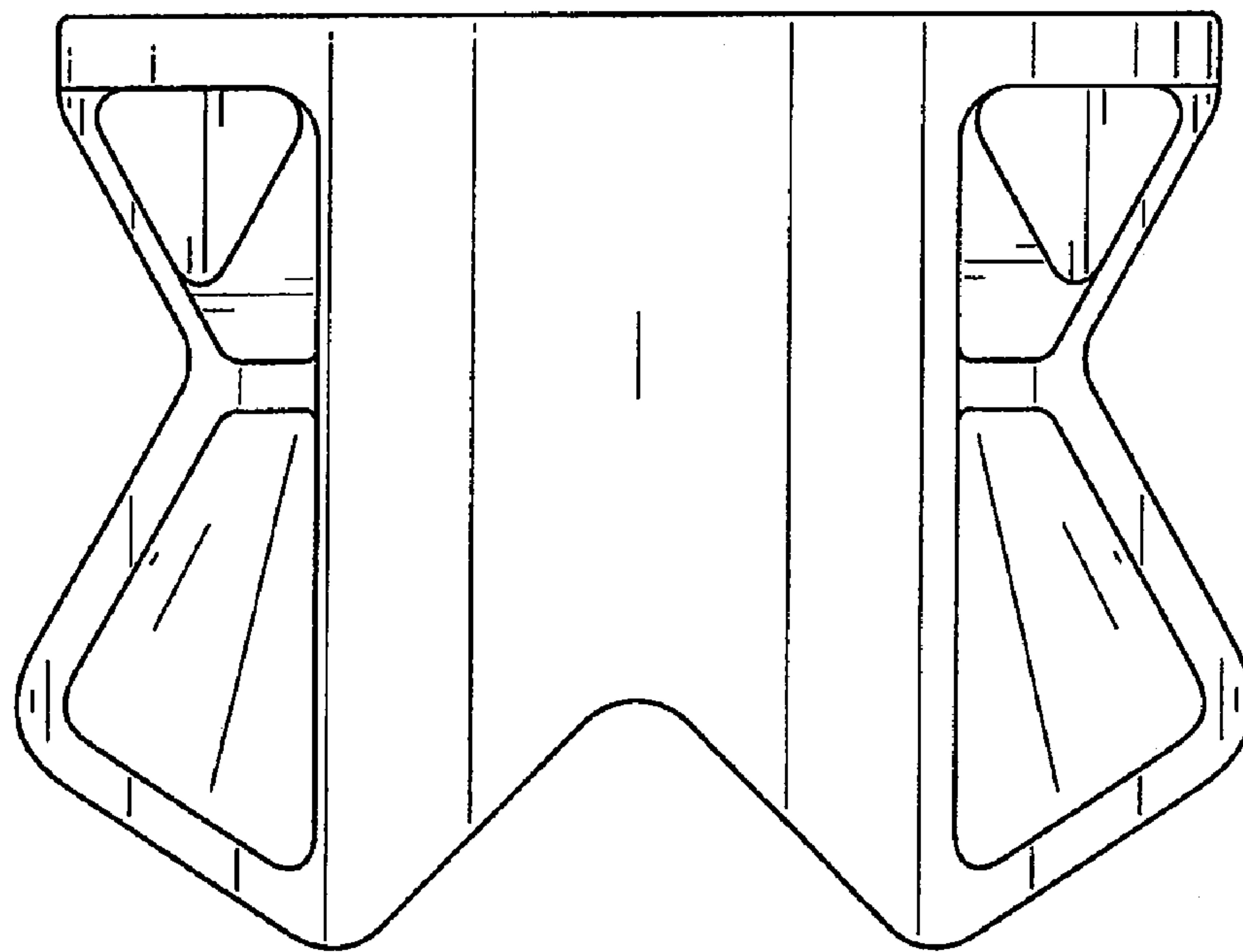


FIG. 7

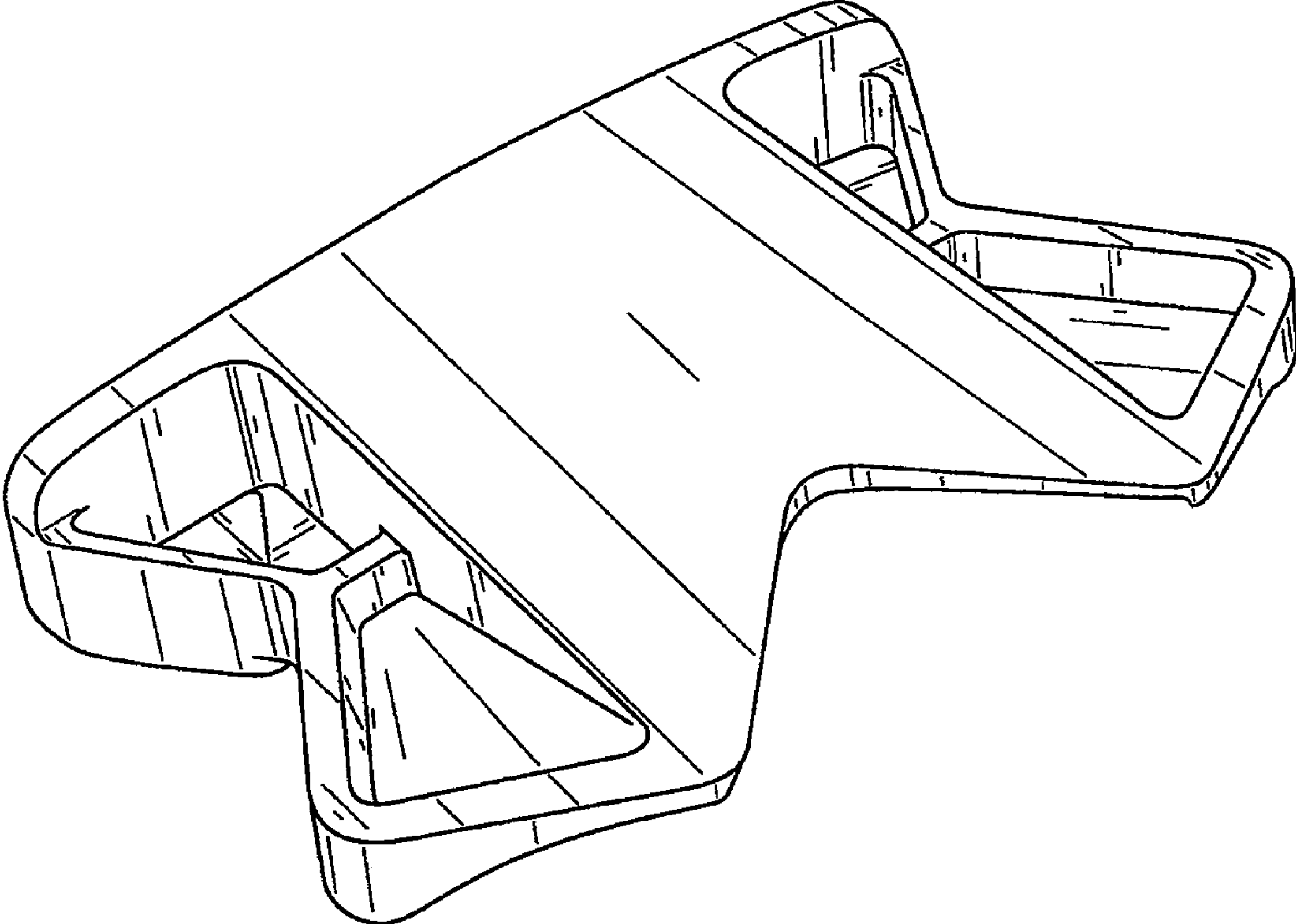


FIG. 8